

# LANDMARKS COMMISSION APPLICATION

LC

Complete all sections of this application, making sure to note the requirements on the accompanying checklist (reverse).

*If you need an interpreter, translator, materials in alternate formats or other accommodations to access these forms, please call (608) 266-4635*

City of Madison  
Planning Division  
215 Martin Luther King Jr Blvd, Ste 017  
PO Box 2985  
Madison, WI 53701-2985  
(608) 266-4635



## 1. LOCATION

Project Address: \_\_\_\_\_ Alder District: \_\_\_\_\_

## 2. PROJECT

Project Title/Description: \_\_\_\_\_

This is an application for: *(check all that apply)*

- New Construction/Alteration/Addition in a Local Historic District or Designated Landmark** *(specify):*
  - Mansion Hill
  - Third Lake Ridge
  - First Settlement
  - University Heights
  - Marquette Bungalows
  - Landmark
- Land Division/Combination in a Local Historic District or to Designated Landmark Site** *(specify):*
  - Mansion Hill
  - Third Lake Ridge
  - First Settlement
  - University Heights
  - Marquette Bungalows
  - Landmark
- Demolition**
- Development adjacent to a Designated Landmark**
- Variance from the Historic Preservation Ordinance (Chapter 41)**
- Landmark Nomination/Rescission or Historic District Nomination/Amendment**  
*(Please contact the Historic Preservation Planner for specific Submission Requirements.)*
- Informational Presentation**
- Other** *(specify):* \_\_\_\_\_

DPCED USE ONLY	Registrar #:
	<b>DATE STAMP</b> <p style="text-align: center;">4/3/23 2:41 pm</p>

## 3. APPLICANT

Applicant's Name: \_\_\_\_\_ Company: \_\_\_\_\_

Address: \_\_\_\_\_  
Street City State Zip

Telephone: \_\_\_\_\_ Email: \_\_\_\_\_

Property Owner *(if not applicant)*: \_\_\_\_\_

Address: \_\_\_\_\_  
Street City State Zip

Property Owner's Signature: \_\_\_\_\_ Date: \_\_\_\_\_

NOTICE REGARDING LOBBYING ORDINANCE: If you are seeking approval of a development that has over 40,000 square feet of non-residential space, or a residential development of over 10 dwelling units, or if you are seeking assistance from the City with a value of \$10,000 (including grants, loans, TIF or similar assistance), then you likely are subject to Madison's lobbying ordinance (Sec. 2.40, MGO). You are required to register and report your lobbying. Please consult the City Clerk's Office for more information. Failure to comply with the lobbying ordinance may result in fines.

## 4. APPLICATION SUBMISSION REQUIREMENTS *(see checklist on reverse)*

All applications must be filed by 12:00pm on the submission date with the Preservation Planner. Applications submitted after the submission date or incomplete applications will be postponed to the next scheduled filing time. Submission deadlines can be viewed here: [https://www.cityofmadison.com/dpced/planning/documents/LC\\_Meeting\\_Schedule\\_Dates.pdf](https://www.cityofmadison.com/dpced/planning/documents/LC_Meeting_Schedule_Dates.pdf)

To: Landmarks Commission, Madison, WI

From: Andrew Rubsam

Re: Variance request and dormer addition approval – 710 Orton Court, Madison, WI 53703

I am the co-owner of 710 Orton Court, Madison, WI 53703, a single-family home in the Third Lake Ridge Historic District. This is my letter of intent regarding my proposed project to add a dormer to the rear side of our home.

The home is a 3-story building that was constructed in 1914. The first floor consists of a living room, dining room, kitchen, and half bathroom. The first-floor half bathroom appears to be an addition by a prior owner. The second floor consists of three bedrooms, a full bathroom, and a small storage room. The small storage room leads outside to an upstairs balcony on the rear of the house that is above the first-floor half bathroom. The third story is an unfinished attic. The current architectural drawings of the home are attached as **Exhibit A**.

The house roof is currently covered with asphalt shingles. The home currently has a 100-amp above-ground electrical service and has a mix of knob and tube wiring and modern wiring. All the windows on the house were replaced by a prior owner on an unknown date, except the four front porch windows, which appear to be original. The current windows, including the original front porch windows, have a white exterior. All but two of the windows on the first and second floor are double-hung windows. A prior owner added vinyl siding to the home on an unknown date, but cedar siding is underneath the vinyl siding. I have not been able to confirm whether the cedar siding under the vinyl siding is the home's original siding.

My proposed plan is to do the following:

1. Upgrade the electrical service to the home to 200-amp above-ground service and abate any remaining knob and tube wiring in the home with modern wiring.

2. Re-roof/re-shingle the front roof of the home (the top-level front roof and the front porch roof) with asphalt shingles that are of a similar (or same) color, shape, and style to the existing asphalt shingles.
3. Add a shed roof dormer to the rear of the home and install a metal roof on the dormer. A metal roof is required for the dormer because the pitch of the dormer roof will not be suitable for asphalt shingles. The architectural drawings for the proposed changes are attached as **Exhibit B**.
4. Re-roof/re-shingle the part of the rear roof that will not be removed to create the dormer with asphalt shingles that are of a similar (or same) color, shape, and style to the existing asphalt shingles.

This project will result in the attic being a finished living space. The attic interior will include a bathroom and loft/bedroom. The dormer will not be visible from the developed public right-of-way because the dormer will run along the back plane of the roof. The ridge line of the dormer will not extend above the ridge line of the main roof and will not extend beyond the face of the main structure wall below.

The attic space will be heated and cooled by a Mitsubishi Electric heat pump unit, which will be installed outside the home together with an interior wall-mounted unit. The Mitsubishi Electric product flyer is included with this application as **Exhibit C**.

The roof for the dormer, which will be nearly flat, will be a Panel-Loc Plus metal roof manufactured by Central States Manufacturing. The dormer roof will not be visible from the developed public right-of-way. The color of the metal roof will be selected to be as close as possible to match the color of the existing asphalt shingles, which is dark gray. A copy of the metal roof manufacturer's product [flyer](#) is included with this application as **Exhibit D**.

The exterior of the dormer will be sided with Diamond Kote lap siding. The siding will be smooth without a faux woodgrain. The profile of the siding will likely be 8” class lap siding, which is the approximate profile size of the current vinyl siding and may be the lap profile size of the original cedar siding underneath the vinyl siding.<sup>1</sup> However, if the cedar siding underneath the vinyl siding is not 8” profile, then the Diamond Kote lap siding will be installed to be a closer match to the profile of the original cedar siding. Eventually, the vinyl siding will be removed and I intend to re-side the rest of the house with Diamond Kote lap siding with a profile that matches the cedar siding. The manufacturer’s product [flyer](#) is included with this application as **Exhibit E**.

The four windows along the back of the dormer will be [Andersen 400 Series Woodwright Double-Hung windows](#) with a white exterior. The window on the southeast side of the dormer will be an Andersen 400 Series awning window with a white exterior because that space is too small for a double-hung window. There will not be a window on the northwest side of the dormer. The current attic windows on each side of the home will be converted to Andersen 400 Series Woodwright Double-Hung windows with a white exterior. The windows will have similar dimensions, operation, components, and finish as the historic windows of the home. The manufacturer’s flyer for the 400 Series windows is available at [https://aw930cdnprcd.azureedge.net/-/media/aw/files/brochures/1903\\_400series\\_pg\\_lr-compressed-22.pdf](https://aw930cdnprcd.azureedge.net/-/media/aw/files/brochures/1903_400series_pg_lr-compressed-22.pdf).<sup>2</sup>

---

<sup>1</sup> Note that the side view plans indicate that the siding on the dormer will match the existing house. This references the lap profile size, not the material.

<sup>2</sup> The flyer is more than 20 megabytes so it could not be separately included with this submission.

## **Historic Design Variance request**

(a) The property owner provides photographic or other evidence to show that other local structures, of similar age and style, incorporated similar elements as part of the original design.

- I have attached photos of other properties in the area, including properties that neighbor the subject property and two that are on the same street as the subject property, which show that other properties include front and rear shed dormers. I am seeking to install a rear shed dormer, not a front dormer. (File title: Rubsam – properties with shed dormers)
- Although the shed dormers included with this submission are not all identical, they are evidence that a shed dormer is a feature of other homes in the area.

(b) The proposed alteration complies with all other applicable standards under Sec. 41.18.

- The proposed alteration (creating a shed dormer) complies with the standards in sec. 41.18 because dormers are permitted additions under 41.26(4)(f) and this proposed dormer complies with the conditions of 41.26(4)(f).

(c) The alteration will not destroy significant architectural features on the building.

- This factor is met because the alteration will only result in removal of part of the rear roof and replacement with a shed dormer. The rear roof is not a significant architectural feature of the building because the rear roof is flat and does not contain any ornamental features.

## **Alternative Design Variance request**

(a) The elements will enhance the quality of the design.

- The elements will enhance the quality of the design of the property because it will add more livable space to the property and will create a more visually appealing rear view of the property.

(b) The design complies with all other applicable standards under Sec. 41.18.

- The proposed alteration (creating a shed dormer) complies with the standards in sec. 41.18 because dormers are permitted additions under 41.26(4)(f) and this proposed dormer complies with the conditions of 41.26(4)(f).

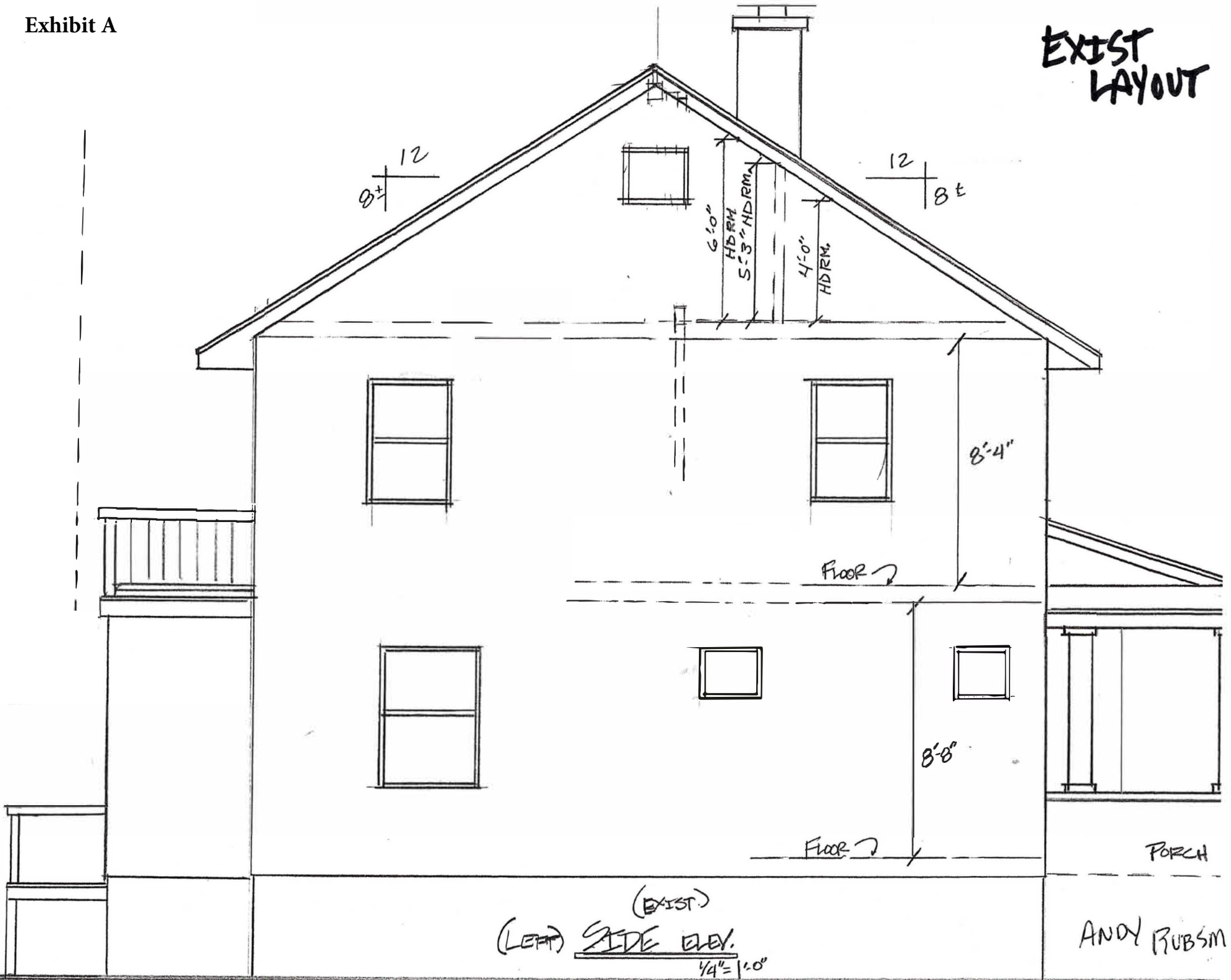
(c) The design does not allow material deviations from historic district standards and guidelines that would undermine the character or purpose of the historic district.

- The design is consistent with other shed dormers in the area. The proposed alteration (creating a shed dormer) complies with the standards in sec. 41.18 because dormers are permitted additions under 41.26(4)(f) and this proposed dormer complies with the conditions of 41.26(4)(f).

(d) The design will have a beneficial effect on the historic character of the area within two hundred (200) feet of the subject property.

- The design will implement a feature that is present on other properties within 200 feet of the subject property.

EXIST  
LAYOUT



12  
8'

12  
8'

6'-0"  
HD RM  
5'-3" HD RM  
4'-0"  
HD RM

8'-4"

FLOOR ↘

8'-8"

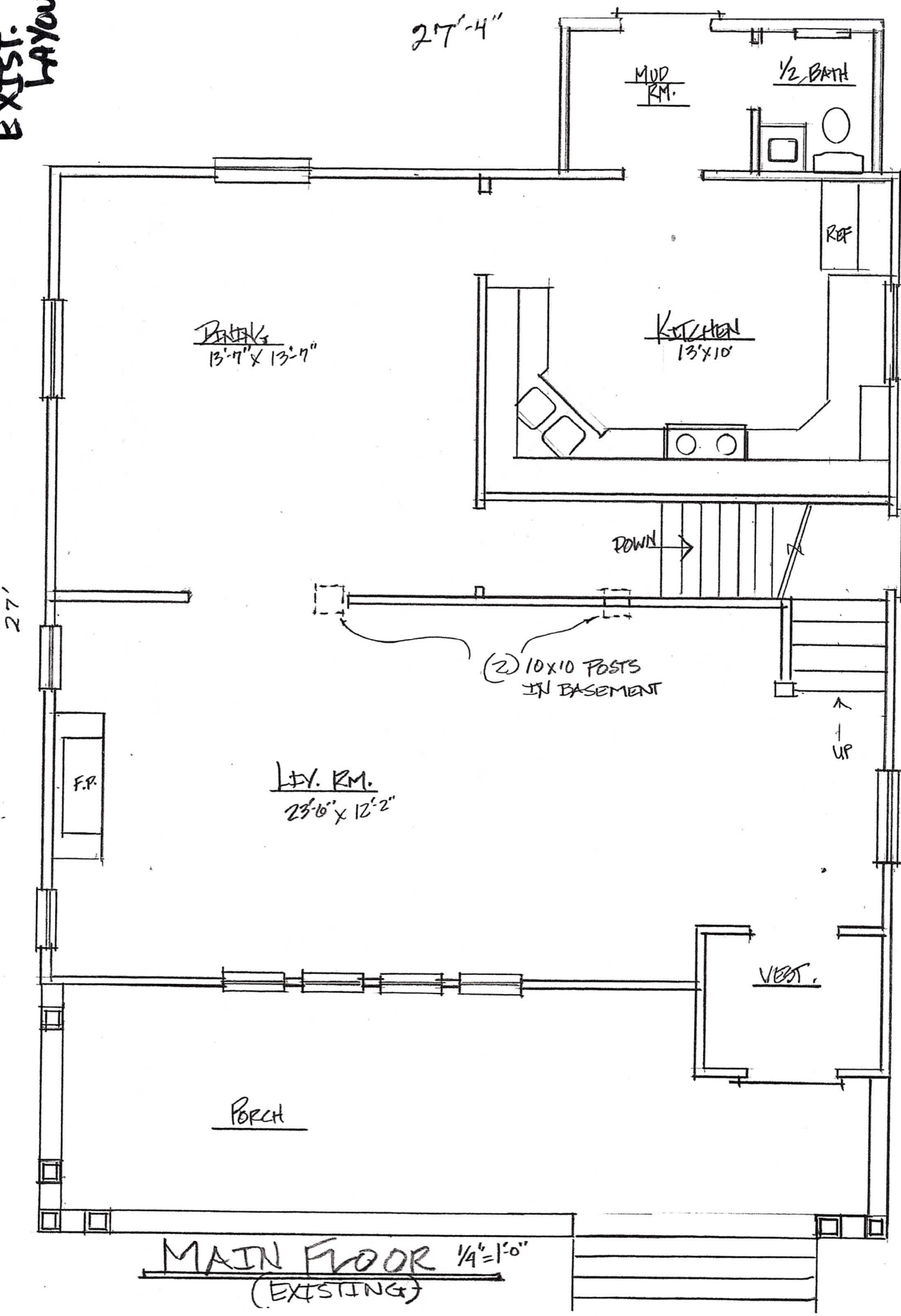
FLOOR ↘

PORCH

(EXIST)  
(LEFT) SIDE ELEV.  
1/4" = 1'-0"

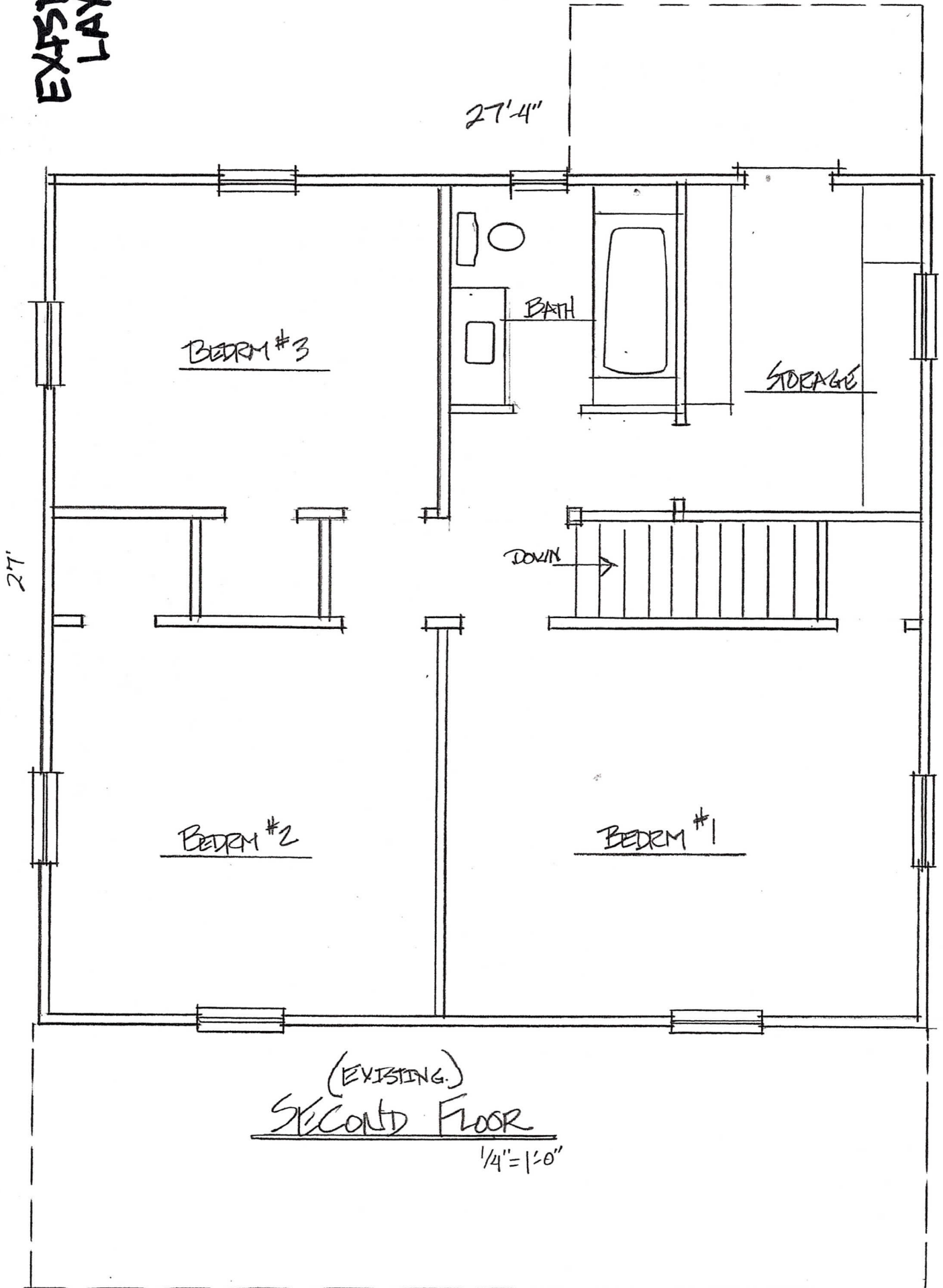
ANDY RUBSM

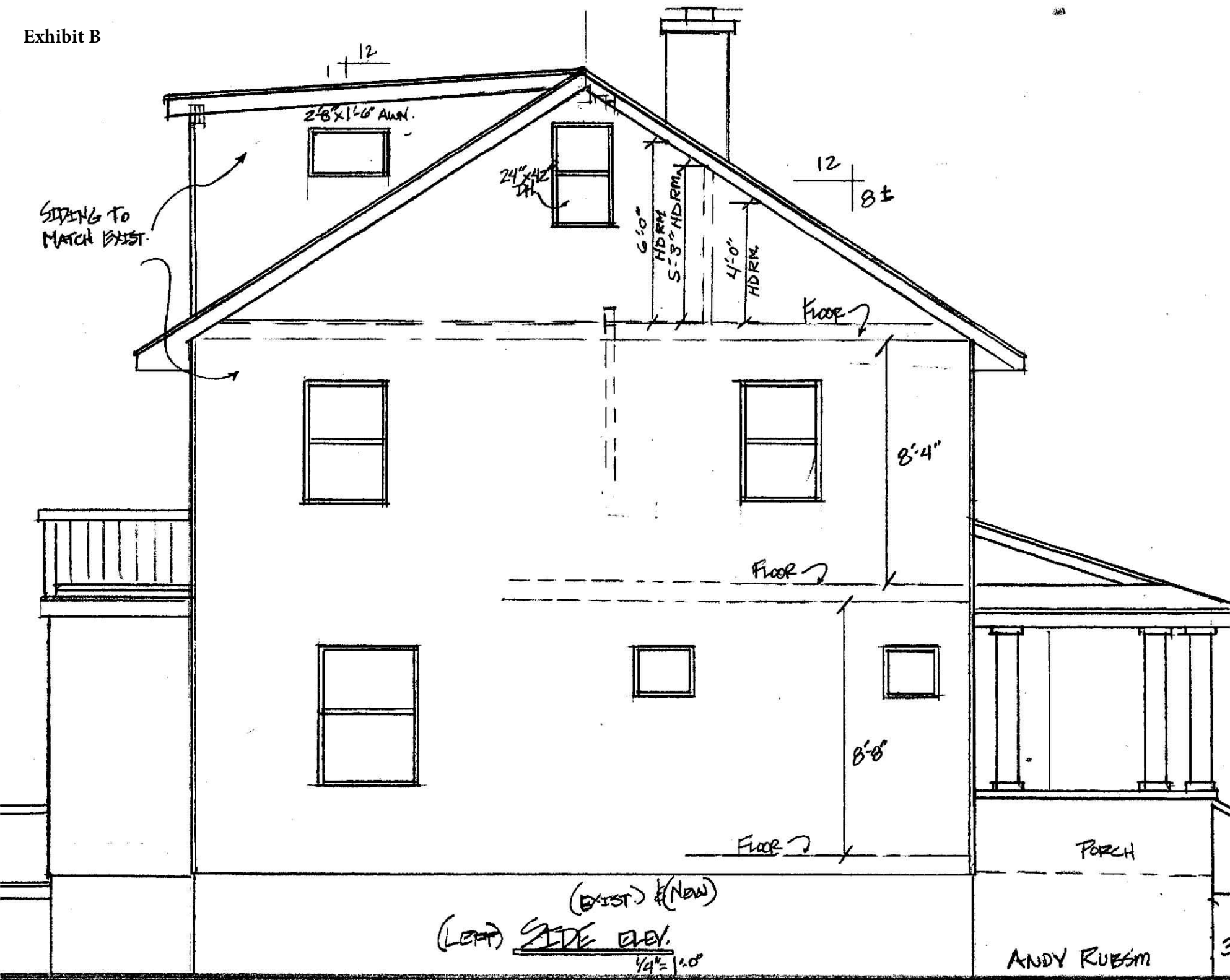
**EXIST. LAYOUT**





EXIST.  
LAYOUT





(EXIST.) (NEW)  
(LEFT) SIDE ELEV.  
1/4\" = 1'-0\"

ANDY RUBSM



1/6" EXIST. OVERHANG  
6"

SHINGLES

FIVE FLOOR

EXIST. BALCONY

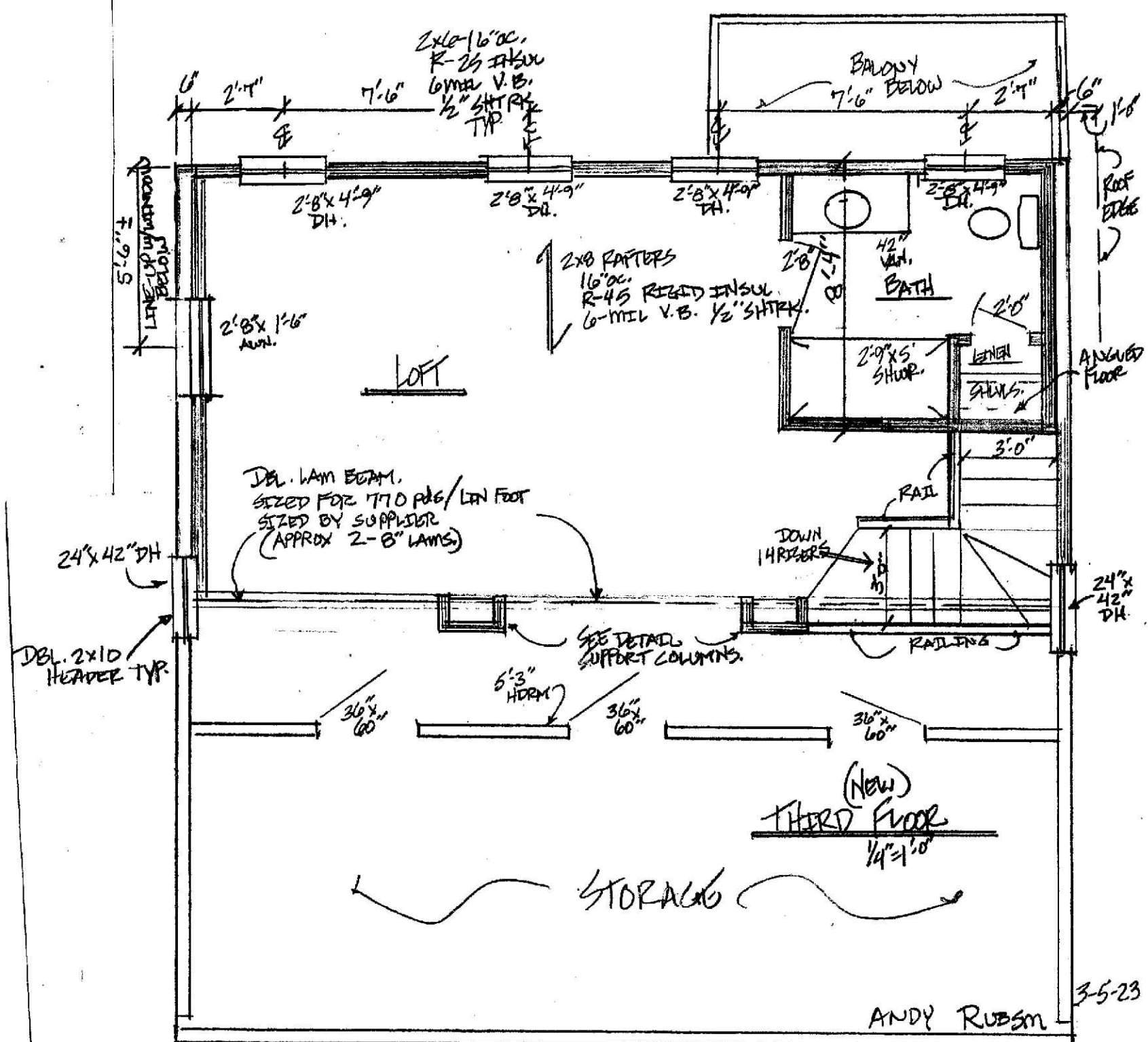
(NEW)  
REAR ELEV.  
1/4" = 1'-0"

FIVE

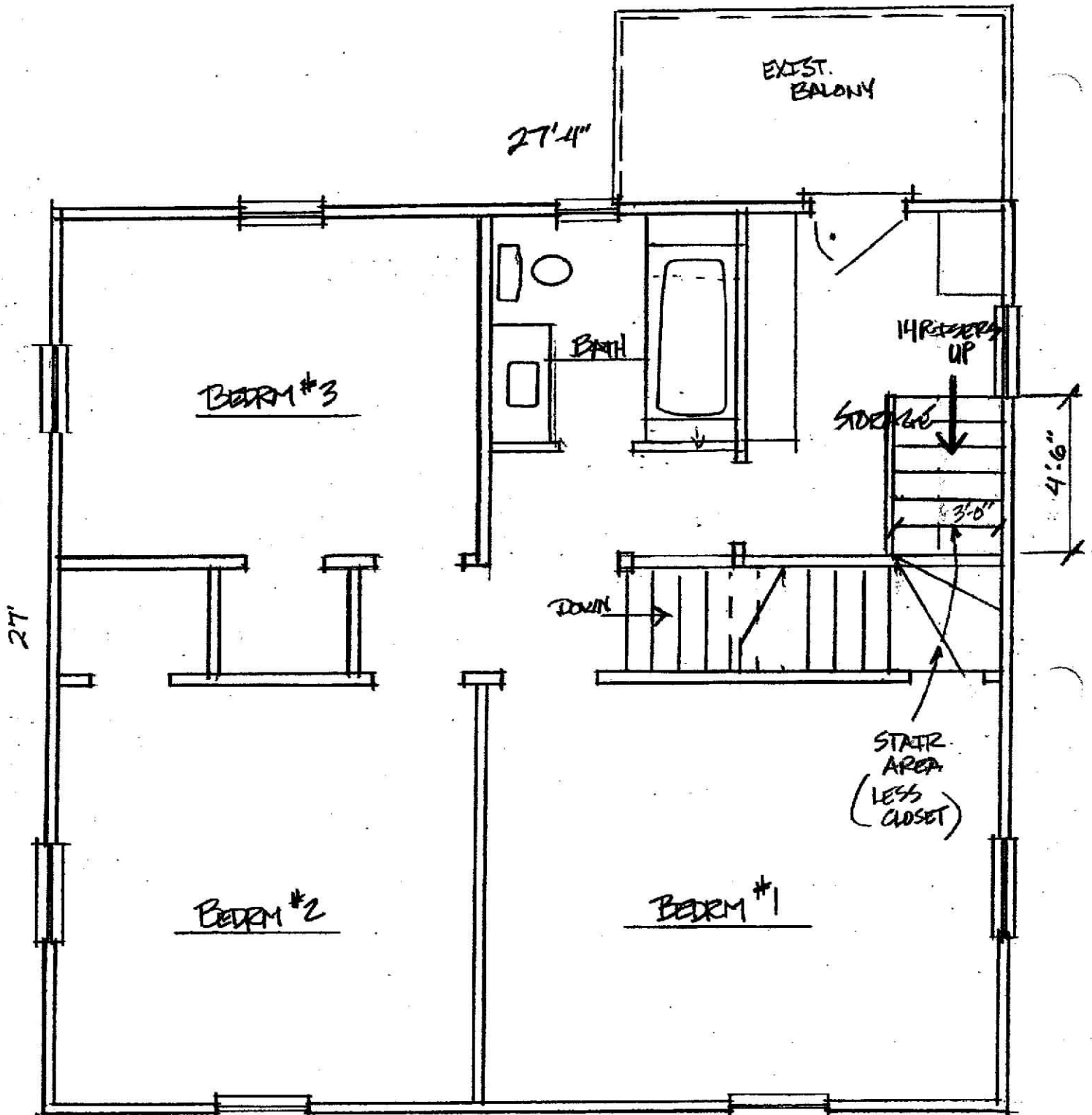
FIVE

3-5-23

ANDY RUEBEN

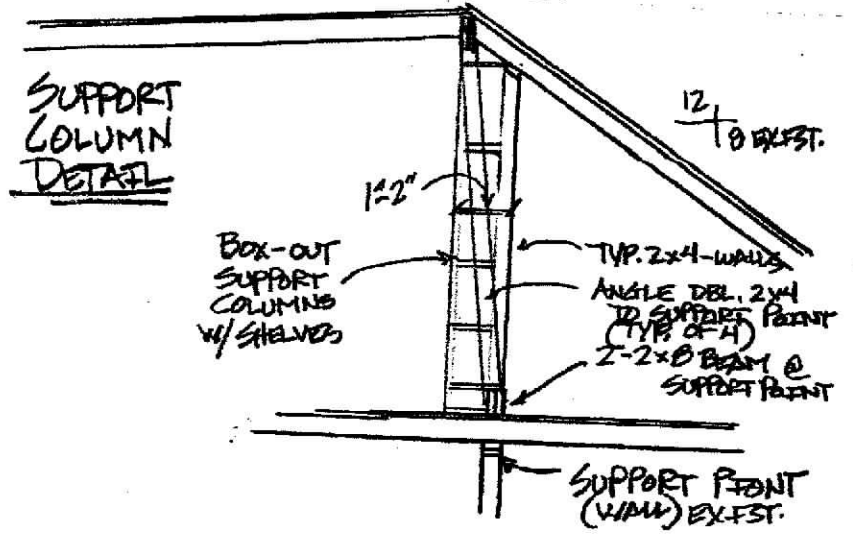


ANDY RUBSM 3-5-23



(EXISTING.) & (NEW)  
**SECOND FLOOR**  
 (NEW STAIR LOCATION)  $\frac{1}{4}'' = 1'-0''$

3-5-23  
 ANDY RUBSM



ANDY RUBEN.

710 Orton Court – subject property

Front



Northwest side



Front and southeast side



Rear





## Properties with shed dormers

617 Riverside Drive



716 Orton Court (shed dormers on both sides)



1219 Spaight Street



1201-1203 Jenifer Street (shed dormers on both sides)



Rear of 705 Orton Court



Rear of 1227 Rutledge Street



1241 Morrison Court



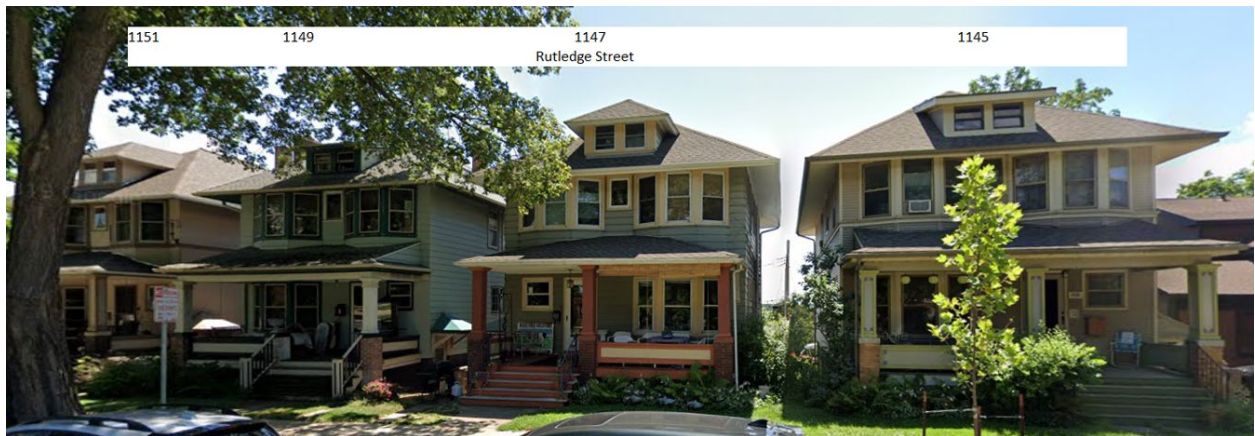
Side view of 1049 Rutledge Street



1614 Jenifer Street



1145-1151 Rutledge Street



**Properties 200 feet from 710 Orton Court**

711-713 Orton Court (left) and 717 Orton Court (right)



711-713 Orton Court

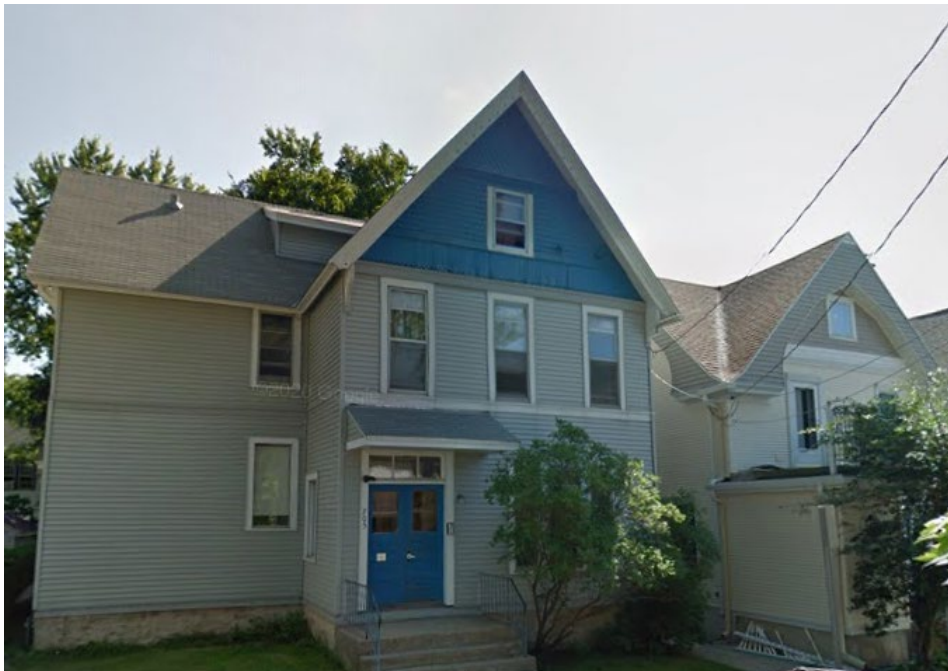




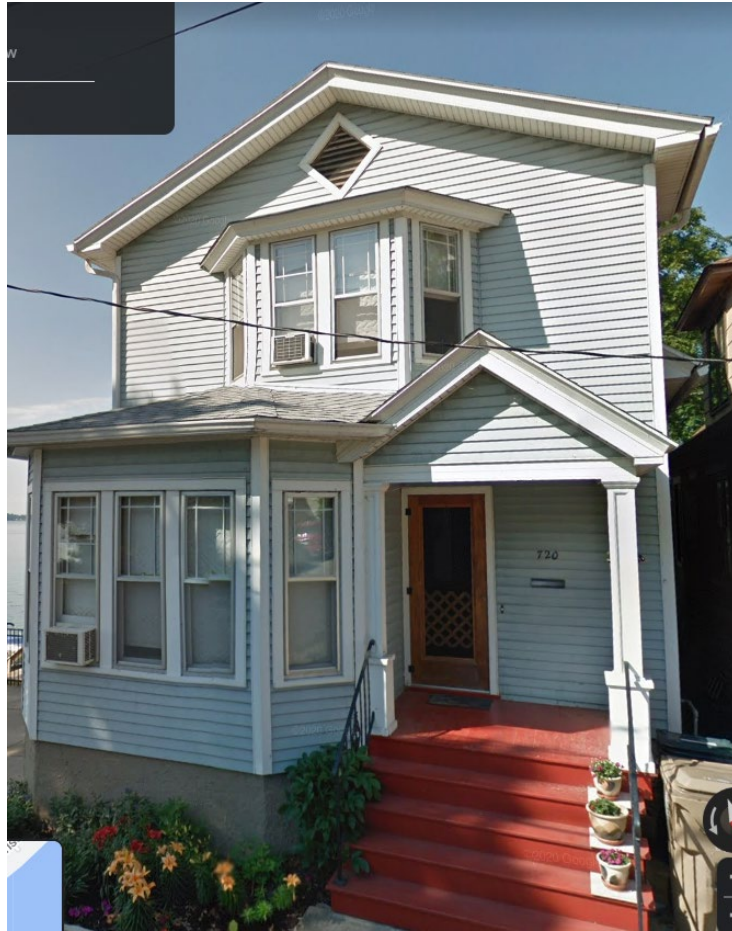
709 Orton Court



705 Orton Court



720 Orton Court



716 Orton Court



View of rear of 1227 Rutledge Street (right) and side roof of 1225 Rutledge Street (left)



View of rear of 1225 Rutledge from rear of subject property



View of rear of 1213-1221 Rutledge Street from rear of subject property



View of parking lot of 1219 Rutledge Street from rear of subject property



View of 1211 and 1219 Rutledge Street from rear of subject property



View of 1219 Rutledge Street (right) and rear of 716 Orton Court (center left) from rear of subject property (white)



1226, 1232, and 1238 Rutledge Street (left, center, right)



1227 Rutledge (left) and 1225 Rutledge (right)



1225 Rutledge Street (left), 1221 Rutledge Street (center), 1213-127 Rutledge Street (right)



802 South Baldwin



Morrison Court



1252 Morrison Court





706 South Baldwin Street



1251 Rutledge (left) and 1245 Rutledge (right)



1237 Rutledge (left), 1227 Rutledge (right)



**MSZ-FS12NA & MUZ-FS12NAH**  
**12,000 BTU/H DELUXE WALL-MOUNTED INDOOR UNIT**  
**12,000 BTU/H HYPER-HEATING OUTDOOR UNIT W/BASE PAN HEATER**



Job Name:

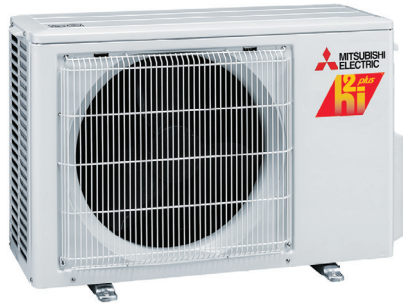
System Reference:

Date:



Indoor Unit.....MSZ-FS12NA

Outdoor Unit.....MUZ-FS12NAH



**INDOOR UNIT FEATURES**

- Slim wall-mounted indoor units provide zone comfort control
- Dual Barrier Coating applied to the heat exchanger, vanes and fan to prevent hydrophilic and hydrophobic dirt build-up
- Multiple fan speed options: Quiet, Low, Medium, High, Super-high, Auto
- 3D i-see Sensor® enables advance features:
  - Indirect or Direct Airflow for personalized comfort
  - Absence Detection for energy-saving mode
- Double Vane features:
  - Separates airflow to deliver air across a large area
  - Simultaneously deliver to air separate sections of a room
  - Generates more comfortable natural airflow pattern
- Multiple control options available:
  - Back-lit screen handheld remote controller (provided with unit)
  - kumo cloud® smart device app for remote access
  - Third-party interface options
  - Wired or wireless controllers
- Triple-action Filtration: Nano Platinum Filter, Deodorizing Filter, & Electrostatic Anti-Allergy Enzyme Filter
- Hot-Start Technology: no cold air rush at equipment startup or when restarting after Defrost Cycle
- Quiet operation

**OUTDOOR UNIT FEATURES**

- INVERTER-driven compressor and LEV provide high efficiency and comfort while using only the energy needed to maintain maximum performance
- H2i plus™ performance offers 100% heating capacity at -5° and 70% to 81% heating capacity at -13° F
- Blue Fin anti-corrosion treatment applied to the outdoor unit heat exchanger for increased coil protection and longer life
- Built-in base pan heater

# SPECIFICATIONS: MSZ-FS12NA & MUZ-FS12NAH

Cooling at 95°F <sup>1</sup>	Maximum Capacity	BTU/H	13,600
	Rated Capacity	BTU/H	12,000
	Minimum Capacity	BTU/H	2,500
	Maximum Power Input	W	1,150
	Rated Power Input	W	870
	Moisture Removal	Pints/h	1.9
	Sensible Heat Factor		0.83
Heating at 47°F <sup>2</sup>	Maximum Capacity	BTU/H	21,000
	Rated Capacity	BTU/H	12,300
	Minimum Capacity	BTU/H	3,700
	Maximum Power Input	W	1,980
	Rated Power Input	W	850
	Power Factor [208V / 230V]	%	94.0 / 94.0
Heating at 17°F <sup>3</sup>	Maximum Capacity	BTU/H	17,410
	Rated Capacity	BTU/H	8,400
	Maximum Power Input	W	1,990
	Rated Power Input	W	740
Heating at 5°F <sup>4</sup>	Maximum Capacity	BTU/H	14,690
	Maximum Power Input	W	1,910
Heating at -5°F <sup>6</sup>	Maximum Capacity	BTU/H	12,300
Heating at -13°F <sup>7</sup>	Maximum Capacity	BTU/H	11,000
Efficiency	SEER   SEER2		26.1   26.3
	EER <sup>1</sup>   EER2 <sup>1</sup>		13.8   13.8
	HSPF [IV]   HSPF2 [IV]		12.0   10.4
	COP at 47°F <sup>2</sup>		4.24
	COP at 17°F at Maximum Capacity <sup>3</sup>		2.56
	COP at 5°F at Maximum Capacity <sup>4</sup>		2.07
	COP at -5°F at Maximum Capacity <sup>6</sup>		2.07
	COP at -13°F at Maximum Capacity <sup>7</sup>		1.92
	ENERGY STAR® Certified		Yes
Electrical	Voltage, Phase, Frequency		208/230, 1, 60
	Guaranteed Voltage Range	V AC	187 - 253
	Voltage: Indoor - Outdoor, S1-S2	V AC	208/230
	Voltage: Indoor - Outdoor, S2-S3	V DC	24
	Short-circuit Current Rating [SCCR]	kA	5
	Recommended Fuse/Breaker Size (Outdoor)	A	15
	Recommended Wire Size [Indoor - Outdoor]	AWG	14
	Power Supply		Indoor unit is powered by the outdoor unit
Indoor Unit	MCA	A	1.0
	Fan Motor Full Load Amperage	A	0.65
	Fan Motor Type		DC Motor
	Airflow Rate at Cooling, Dry	CFM	137–167–221–304–424
	Airflow Rate at Cooling, Wet	CFM	117–143–190–261–364
	Airflow Rate at Heating, Dry	CFM	155–226–282–367–454
	Sound Pressure Level [Cooling]	dB[A]	21–24–29–36–44
	Sound Pressure Level [Heating]	dB[A]	21–28–32–38–43
	Drain Pipe Size	In. [mm]	5/8 [15.88]
	Coating on Heat Exchanger		Dual Barrier Coating
	External Finish Color		Munsell 1.0Y 9.2/0.2
	Unit Dimensions	W x D x H: In. [mm]	36-7/16 x 9-3/16 x 12 (+11/16) [925 x 234 x 305 (+17)]
	Package Dimensions	W x D x H: In. [mm]	39 x 12-1/4 x 15-1/2 [990 x 310 x 400]
Unit Weight	Lbs. [kg]	29 [13.5]	
Package Weight	Lbs. [kg]	34 [15.4]	
Indoor Unit Operating Temperature Range	Cooling Intake Air Temp [Maximum / Minimum]*	°F	90 DB, 73 WB / 67 DB, 57 WB
	Heating Intake Air Temp [Maximum / Minimum]	°F	80 DB / 70 DB

**NOTES:**

AHRI Rated Conditions

(Rated data is determined at a fixed compressor speed)

<sup>1</sup>Cooling (Indoor // Outdoor)

<sup>2</sup>Heating at 47°F (Indoor // Outdoor)

<sup>3</sup>Heating at 17°F (Indoor // Outdoor)

°F 80 DB, 67 WB // 95 DB, 75 WB

°F 70 DB, 60 WB // 47 DB, 43 WB

°F 70 DB, 60 WB // 17 DB, 15 WB

Conditions

<sup>4</sup>Heating at 5°F (Indoor // Outdoor)

<sup>6</sup>Heating at -5°F (Indoor // Outdoor)

<sup>7</sup>Heating at -13°F (Indoor // Outdoor)

°F 70 DB, 60 WB // 5 DB, 4 WB

°F 70 DB, 60 WB // -5 DB, -6 WB

°F 70 DB, 60 WB // -13 DB, -14 WB

\*Indoor/Outdoor Unit Operating Temperature Range (Cooling Air Temp [Maximum / Minimum]):

- Applications should be restricted to comfort cooling only; equipment cooling applications are not recommended for low ambient temperature conditions.

\*\*Outdoor Unit Operating Temperature Range (Cooling Thermal Lock-out / Re-start Temperatures; Heating Thermal Lock-out / Re-start Temperatures):

- System cuts out in heating mode to avoid thermistor error and automatically restarts at these temperatures.

# SPECIFICATIONS: MSZ-FS12NA & MUZ-FS12NAH

Outdoor Unit	MCA	A	10.0
	MOCP	A	15
	Fan Motor Full Load Amperage	A	0.5
	Fan Motor Output	W	55
	Airflow Rate [Cooling / Heating]	CFM	1215 / 1201
	Refrigerant Control		LEV
	Defrost Method		Reverse Cycle
	Coating on Heat Exchanger		Blue Fin Coating
	Sound Pressure Level, Cooling <sup>1</sup>	dB(A)	49
	Sound Pressure Level, Heating <sup>2</sup>	dB(A)	51
	Compressor Type		Twin Rotary
	Compressor Model		SNB140FQUMT
	Compressor Rated Load Amps	A	9.2
	Compressor Locked Rotor Amps	A	7.4
	Compressor Oil [Type // Charge]	oz.	FV50S // 0.35
	External Finish Color		Munsell 3Y 7.8/1.1
	Base Pan Heater		Built-in
	Unit Dimensions	W x D x H: In. [mm]	31-1/2 x 11-1/4 x 21-5/8 [800 x 285 x 550]
	Package Dimensions	W x D x H: In. [mm]	37 x 15 x 24-1/2 [940 x 380 x 630]
	Unit Weight	Lbs. [kg]	84 [38]
	Package Weight	Lbs. [kg]	91 [41]
Outdoor Unit Operating Temperature Range	Cooling Air Temp [Maximum / Minimum]*	°F	115 DB / 14 DB
	Cooling Thermal Lock-out / Re-start Temperatures**	°F	-4 / 0
	Heating Air Temp [Maximum / Minimum]	°F	75 DB, 65 WB / -13 DB, -14 WB
	Heating Thermal Lock-out / Re-start Temperatures**	°F	-18 / -14
Refrigerant	Type		R410A
	Maximum Charge Quantity	Lbs, oz	2.0, 9.0
	Initial Charge Quantity	Ft. [m]	25.0 [7.5]
	Additional Refrigerant Charge Per Additional Piping Length	oz./Ft. [g/m]	0.216 [20]
Piping	Gas Pipe Size O.D. [Flared]	In.[mm]	3/8 [9.52]
	Liquid Pipe Size O.D. [Flared]	In.[mm]	1/4 [6.35]
	Maximum Piping Length	Ft. [m]	65 [20]
	Maximum Height Difference	Ft. [m]	40 [12]
	Maximum Number of Bends		10

**NOTES:**

AHRI Rated Conditions

(Rated data is determined at a fixed compressor speed)

<sup>1</sup> Cooling (Indoor // Outdoor)	°F	80 DB, 67 WB // 95 DB, 75 WB
<sup>2</sup> Heating at 47°F (Indoor // Outdoor)	°F	70 DB, 60 WB // 47 DB, 43 WB
<sup>3</sup> Heating at 17°F (Indoor // Outdoor)	°F	70 DB, 60 WB // 17 DB, 15 WB

Conditions

<sup>4</sup> Heating at 5°F (Indoor // Outdoor)	°F	70 DB, 60 WB // 5 DB, 4 WB
<sup>6</sup> Heating at -5°F (Indoor // Outdoor)	°F	70 DB, 60 WB // -5 DB, -6 WB
<sup>7</sup> Heating at -13°F (Indoor // Outdoor)	°F	70 DB, 60 WB // -13 DB, -14 WB

\*Indoor/Outdoor Unit Operating Temperature Range (Cooling Air Temp [Maximum / Minimum]):

- Applications should be restricted to comfort cooling only; equipment cooling applications are not recommended for low ambient temperature conditions.

\*\*Outdoor Unit Operating Temperature Range (Cooling Thermal Lock-out / Re-start Temperatures; Heating Thermal Lock-out / Re-start Temperatures):

- System cuts out in heating mode to avoid thermistor error and automatically restarts at these temperatures.

## INDOOR UNIT ACCESSORIES: MSZ-FS12NA

Control Interface	BACnet® and Modbus® Interface	PAC-UKPRC001-CN-1
	CN24 Relay Kit	CN24RELAY-KIT-CM3
	IT Extender	PAC-WHS01IE-E
	kumo station® for kumo cloud®	PAC-WHS01HC-E
	System Control Interface	MAC-334IF-E
	Thermostat Interface	PAC-US445CN-1
	USNAP Adapter	PAC-WHS01UP-E
	Wireless Interface for kumo cloud®	PAC-USWHS002-WF-2
Remote Sensor	Wired Remote Sensor	M21EAA307
	Wireless temperature and humidity sensor for kumo cloud®	PAC-USWHS003-TH-1
Wired Remote Controller	Deluxe Wired MA Remote Controller†	PAR-40MAAU
	Simple MA Remote Controller†	PAC-YT53CRAU-J
	Touch MA Controller†	PAR-CT01MAU-SB
Wireless Remote Controller	kumo touch™ RedLINK™ Wireless Controller	MHK2
	Lockdown bracket for remote controller	RCMKP1CB
Condensate	Blue Diamond (Advanced) Mini Condensate Pump w/ Reservoir & Sensor (208/230V) [recommended]	X87-721
	Blue Diamond (MicroBlue) Mini Condensate Pump (110/208/230V) up to 18,000 BTU/H	X86-003
	Blue Diamond Alarm Extension Cable—6.5 Ft.	C13-192
	Blue Diamond MultiTank — collection tank for use with multiple pumps	C21-014
	Blue Diamond Sensor Extension Cable — 15 Ft.	C13-103
	Drain Pan Level Sensor/Control	SS610E
	Fascia Kit for MicroBlue Pump, mounts the MicroBlue and sensor directly beneath indoor unit	T18-016
	Refco Condensate Pump (100-240 VAC)	GOBI-II
	Refco Condensate Pump (100-240 VAC) up to 120,000 BTU/H	COMBI
	Sauermann Condensate Pump	SI30-230
Disconnect Switch	(30A/600V/UL) [fits 2" X 4" utility box] - Black	TAZ-MS303
	(30A/600V/UL) [fits 2" X 4" utility box] - White	TAZ-MS303W
Filter	Electro Static Anti-allergy Enzyme Filter	MAC-2330FT-E
	Platinum Deodorizing Filter	MAC-3000FT-E
Lineset	15' x 1/4" x 15' / 3/8" Lineset (Twin-Tube Insulation)	MLS143812T-15
	30' x 1/4" x 30' / 3/8" Lineset (Twin-Tube Insulation)	MLS143812T-30
	50' x 1/4" x 50' / 3/8" Lineset (Twin-Tube Insulation)	MLS143812T-50
	65' x 1/4" x 65' / 3/8" Lineset (Twin-Tube Insulation)	MLS143812T-65

**NOTES:**

†Requires MAC-334IF-E

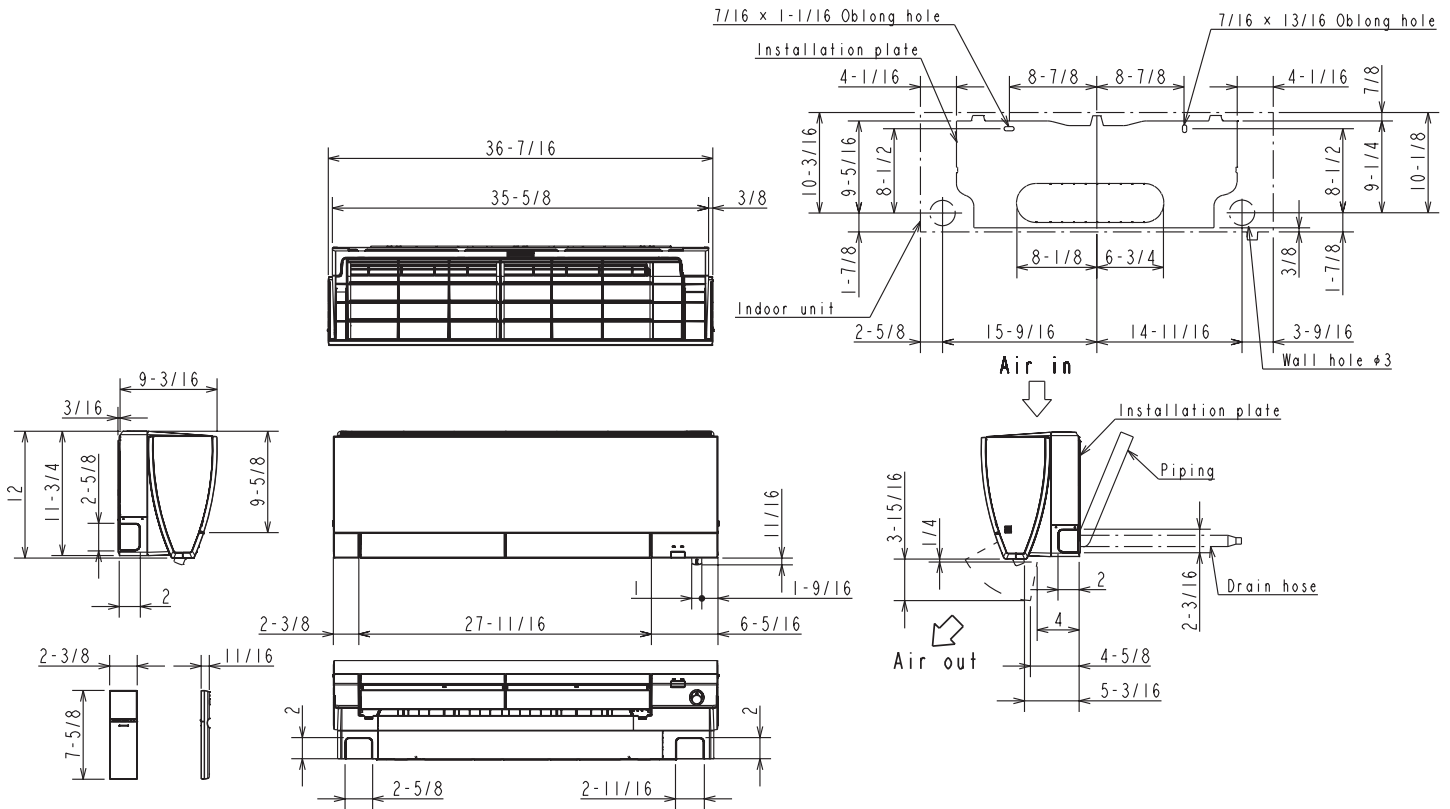
- M-Series EZ FIT® Recessed Ceiling Cassette, Floor-mount and Wall-mount  
Allows indoor units to connect to an MA Controller:  
Deluxe MA Remote Controller  
Simple MA Controller  
Touch MA Controller

## OUTDOOR UNIT ACCESSORIES: MUZ-FS12NAH

Drain Socket	Drain Socket	MAC-811DS
Hail Guards	Hail Guard	HG-B4
Mini-Split Wire	14 Gauge, 4 wire MiniSplit Cable—250 ft. roll	S144-250
	14 Gauge, 4 wire MiniSplit Cable—50 ft. roll	S144-50
	16 Gauge, 4 wire MiniSplit Cable—250 ft. roll	S164-250
	16 Gauge, 4 wire MiniSplit Cable—50 ft. roll	S164-50
Mounting Pad	Condensing Unit Mounting Pad: 16" x 36" x 3"	ULTRILITE1
	Outdoor Unit 3-1/4 inch Mounting Base (Pair) - Plastic	DSD-400P
Stand	18" Single Fan Stand	QSMS1801M
	24" Single Fan Stand	QSMS2401M
	Condenser Wall Bracket	QSWB2000M-1
	Condenser Wall Bracket - Stainless Steel Finish	QSWBSS
	Outdoor Unit Stand — 12" High	QSMS1201M

# INDOOR UNIT DIMENSIONS: MSZ-FS12NA

**Unit: inch**



**(06/09/12 KBTU/H)**

Piping	Insulation	$\phi 1\frac{7}{16}$ O.D
	Liquid line	$\phi 1/4$ 19-11/16 (Flared connection $\phi 1/4$ )
	Gas line	$\phi 3/8$ 16-15/16 (Flared connection $\phi 3/8$ )
	Drain hose	Insulation $\phi 1\frac{1}{8}$ Connected part $\phi 5/8$ O.D

**(15/18 KBTU/H)**

Piping	Insulation	$\phi 1\frac{7}{16}$ O.D
	Liquid line	$\phi 1/4$ 19-11/16 (Flared connection $\phi 1/4$ )
	Gas line	$\phi 3/8$ 16-15/16 (Flared connection $\phi 1/2$ )
	Drain hose	Insulation $\phi 1\frac{1}{8}$ Connected part $\phi 5/8$ O.D

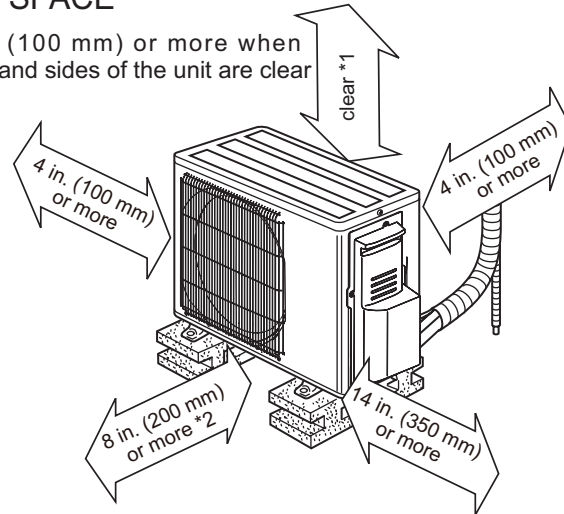


# OUTDOOR UNIT DIMENSIONS: MUZ-FS12NAH

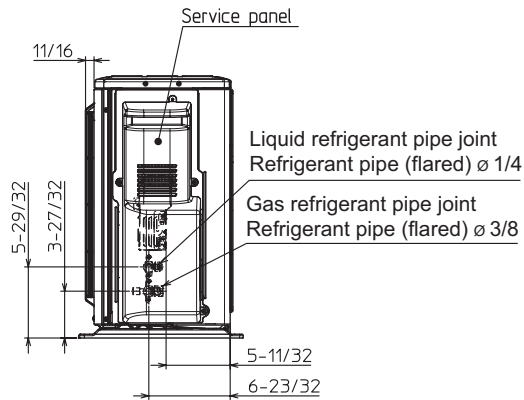
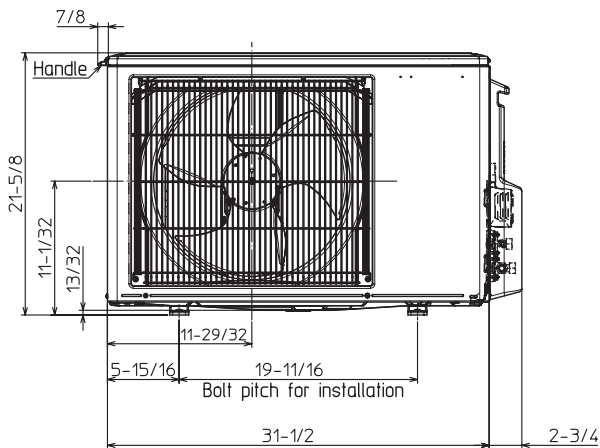
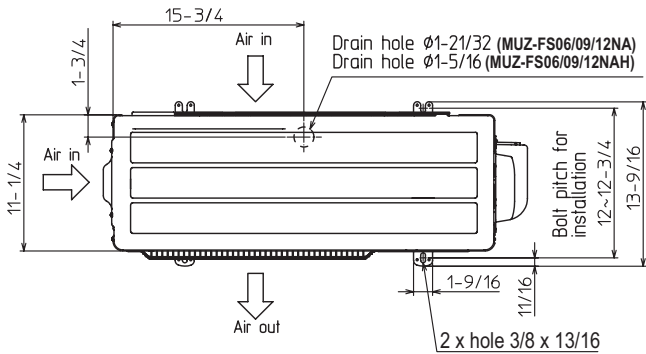
Unit: inch

## REQUIRED SPACE

\*1 4 in. (100 mm) or more when front and sides of the unit are clear



\*2 When any 2 sides of left, right and rear of the unit are clear



1340 Satellite Boulevard Suwanee, GA 30024  
Toll Free: 800-433-4822 www.mehvac.com

FORM# MSZ-FS12NA & MUZ-FS12NAH - 202303



# Panel-Loc Plus™

Wall and Roof Panel



## Superior *durability* with an attractive appearance

Panel-Loc Plus gives residential, agricultural, and light commercial projects the protection of steel with an attractive appearance. It features an extra striation on top of the rib to give it superior durability and protection against extreme weather. Panel-Loc Plus is available in 3 qualities: Standard, Prime, and Ultra.

- Engineered with a Siphon Groove to minimize leaks.
- Wide fastening surface for easy application.
- Unique lap groove hides the overlap giving a smooth, clean appearance.



RECOMMENDED <b>2½:12</b> PITCH AND ABOVE	<b>29</b> OR <b>26</b> GAUGE	<b>36"</b> OVERALL COVERAGE	<b>¾"</b> MAXIMUM RIB HEIGHT
---	---------------------------------------	-----------------------------------	------------------------------------



CENTRALSTATESMFG.COM

# Choose CentralGuard® for the best protection and a lifetime warranty.

CentralGuard is our specific combination of everything that goes into making the highest-quality metal panels. Available on our Prime and Ultra panels, the CentralGuard name is a guarantee that you have the best protection and a lifetime paint warranty.

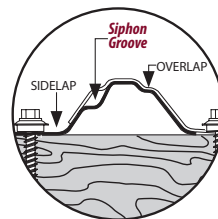
Choose CentralGuard for the perfect balance of fade protection, rust blocking, and dent resistance.

	STANDARD	<b>OUR BEST SELLER!</b> <b>PRIME</b> CentralGuard	<b>ULTRA</b> CentralGuard
<b>FADE PROTECTION</b>			
Paint Warranty	40-YEAR	<b>LIFETIME</b>	<b>LIFETIME</b>
Paint Thickness	THICK .90 mil	<b>THICKER 1.0 mil</b>	<b>THICKER 1.0 mil</b>
Fade Warranty	30-YEAR	30-YEAR	30-YEAR
Fade Protection	✓	✓✓	✓✓
<b>RUST BLOCKING</b>			
Advanced Rust Blocking	-	✓	✓
Perforation Warranty	-	20-YEAR	20-YEAR
Substrate Thickness	1.12 mil	1.60 mil	1.60 mil
<b>DENT RESISTANCE</b>			
Advanced Dent Resistance	-	✓	✓✓
Steel Thickness	THIN	THICK	THICKEST
Steel Gauge	29 ga.	29 ga.	26 ga.

*Panel-Loc Plus features UL2218 approval for impact resistance and may qualify for a homeowners insurance discount. See your local insurance agent for qualifications.*

## Siphon Groove

Panel-Loc Plus has two vertical edges, the overlap and the sidelap. The sidelap edge has a specific bend in the last major rib, called a siphon groove. When the overlap edge is installed on top of the sidelap edge, it creates an air gap that prevents water from wicking under the panel. Panels should be installed with the overlap facing away from the prevailing wind.



Find more information at  
[centralstatesmfg.com](http://centralstatesmfg.com)

## MINIMUM SPECIFICATIONS FOR ULTRA AND PRIME PAINTED PANELS

### GAUGE

Ultra 26 ga. | Prime 29 ga.

### STEEL THICKNESS

Ultra 0.0185" | Prime 0.0150"

### PAINT THICKNESS

Top coat paint: .70 mil  
Top coat primer: .30 mil  
Bottom coat backer: .35 mil  
Bottom coat primer: .35 mil

### TOTAL THICKNESS

Ultra 0.0202" | Prime 0.0167"

### RUST PROTECTANT SUBSTRATE

Galvalume® AZ50

### STEEL STRENGTH

80,000 PSI min

### PAINT SYSTEM

SMP

### WARRANTY

Lifetime limited paint adhesion  
30-yr. chalk and fade  
20-yr. Galvalume perforation

## TESTING & APPROVALS

### TESTING

- TAS 100-95 Wind Driven Rain Test
- TAS 125-03 Uplift Resistance Test, 29 ga. Prime only
- ASTM-E455 Diaphragm Shear Standard Test, 26 ga.
- ASTM-E455 Diaphragm Shear Standard Test, 29 ga.

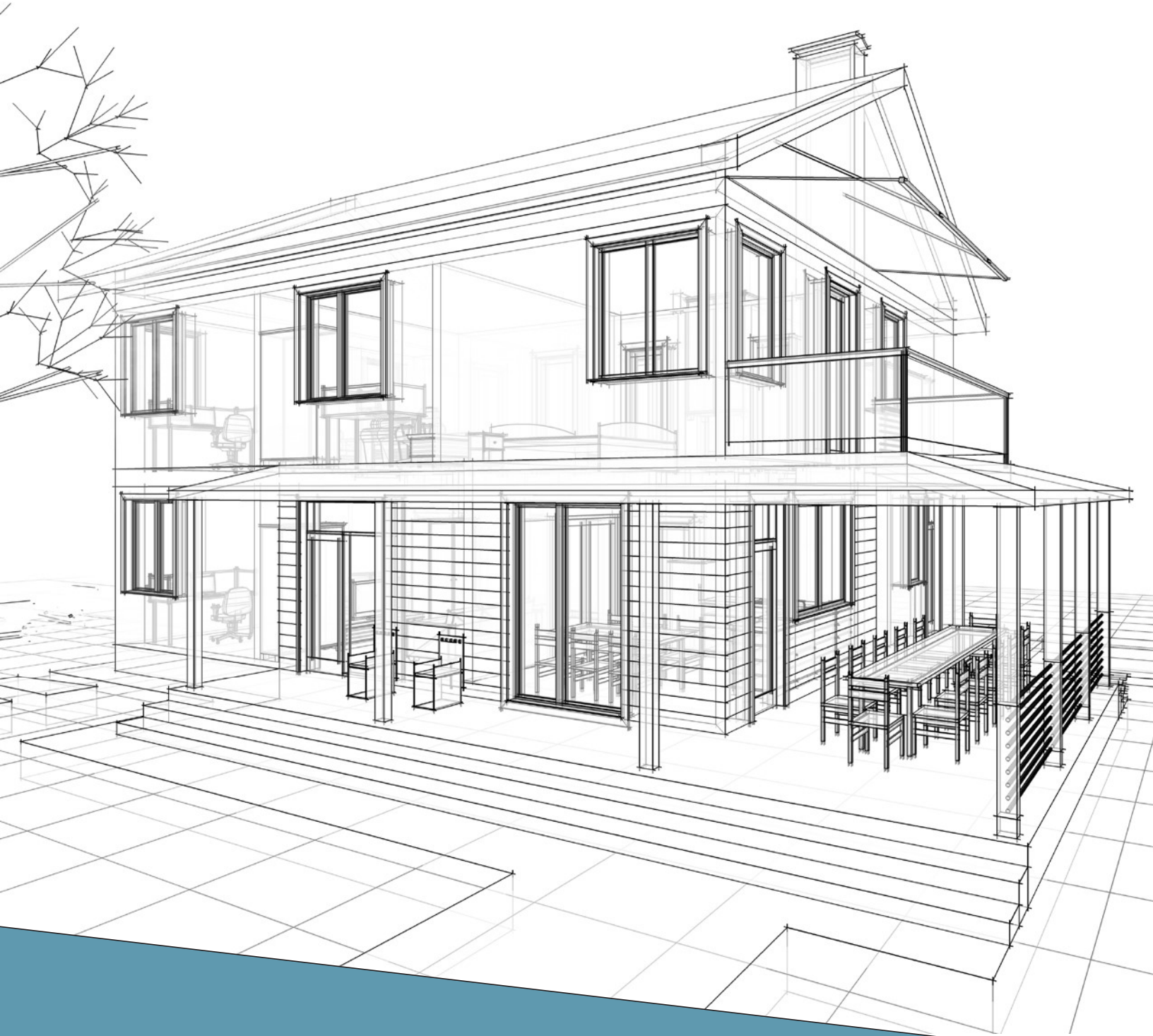
### APPROVALS

- UL2218 UL Approval, Impact Resistance, Class 4
- UL580 UL Approval, Uplift Resistance, Class 90
- UL790 UL Approval, Fire Resistance, Class A
- RC-325 Texas Windstorm Approval, 29 ga. Over Wood Purlins
- RC-326 Texas Windstorm Approval, 29 ga. Over Decking
- FL14026 Florida Approval, Roof Panel Over 1<sup>5</sup>/<sub>32</sub>" Plywood (HVHZ, Miami-Dade Approved)
- FL14026 Florida Approval, Roof Panel Over 1<sup>5</sup>/<sub>32</sub>" Plywood (NON-HVHZ)
- FL14026 Florida Approval, Panel Over 2x4's (NON-HVHZ)

Exhibit E

# DIAMOND KOTE®

## Building Products



**PRODUCT GUIDE 2020**

**SIDING DESIGNED WITH THE INSTALLER IN MIND**

[diamondkotesiding.com](http://diamondkotesiding.com)



# TABLE OF CONTENTS

## PRODUCT COMMON DESCRIPTION FOR:

### SIDING

6 in. Lap Siding - 3/8 in.....	04
8 in. Lap Siding - 3/8 in.....	04
6 in. RigidStack™ Siding.....	06
8 in. RigidStack™ Siding.....	06
12 in. RigidStack™ Siding.....	06
12 in. Vertical Siding .....	08
16 in. Vertical Siding .....	08
3 in. Batten Trim.....	08
4x8 No Groove Panel - 3/8 in. ....	10
4x9 No Groove Panel - 3/8 in. ....	10
4x10 No Groove Panel - 3/8 in. ....	10
4x8 8 in. OC Grooved Panel - 3/8 in.....	12
4x9 8 in. OC Grooved Panel - 3/8 in.....	12
4x10 8 in. OC Grooved Panel - 3/8 in.....	12
4x8 8 in. OC Grooved Panel - 7/16 in. ....	14
4x9 8 in. OC Grooved Panel - 7/16 in. ....	14
4x10 8 in. OC Grooved Panel - 7/16 in. ....	14
4x8 4 in. OC Grooved Panel - 7/16 in. ....	16
4x9 4 in. OC Grooved Panel - 7/16 in. ....	16
4x10 4 in. OC Grooved Panel - 7/16 in. ....	16
7 in. RigidShake™ Staggered Edge.....	18
7 in. RigidShake™ Straight Edge.....	18
9 in. RigidShake™ Staggered Edge.....	20
9 in. RigidShake™ Straight Edge.....	20
12 in. RigidShake™ Staggered Edge.....	22
12 in. RigidShake™ Straight Edge.....	22
12 in. Scallop - Historic Collection .....	24
12 in. Octagon - Historic Collection .....	24

### CORNERS

4 in. Nail Fin Outside Corner - 10 ft .....	26
6 in. Nail Fin Outside Corner - 10 ft .....	26
4 in. Nail Fin Outside Corner - 16 ft .....	28
6 in. Nail Fin Outside Corner - 16 ft.....	28
3 in. Nail Fin Inside Corner .....	28

### TRIM

4 in. Nail Fin Trim.....	30
6 in. Nail Fin Trim.....	30
Trim Clip.....	30
5/4x2 in. Smart Trim .....	32
5/4x3 in. Smart Trim .....	32
5/4x4 in. Smart Trim .....	32

*PRODUCT COMMON DESCRIPTION FOR:*

5/4x6 in. Smart Trim .....	34
5/4x8 in. Smart Trim .....	34
5/4x10 in. Smart Trim .....	34
5/4x12 in. Smart Trim .....	36
4/4x2 in. Smart Trim .....	36
4/4x4 in. Smart Trim .....	38
4/4x6 in. Smart Trim .....	38
4/4x8 in. Smart Trim .....	38
4/4x10 in. Smart Trim .....	40
4/4x12 in. Smart Trim .....	40
4 in. Arch Trim .....	42
6 in. Arch Trim .....	42
4 in. Keystone.....	44
6 in. Keystone.....	44

**TRIM ACCENTS**

4x4 Pro-Post Wrap™ .....	46
4x6 Pro-Post Wrap™ .....	46
6x6 Pro-Post Wrap™ .....	46

**SOFFIT**

6 in. Plowed Fascia .....	48
8 in. Plowed Fascia .....	48
4x8 No Groove Soffit .....	50
10 ft. Soffit Channel .....	50
12 in. Soffit Vented .....	52
16 in. Soffit Vented .....	52
24 in. Soffit Vented.....	52
12 in. Soffit Solid .....	54
16 in. Soffit Solid .....	54
24 in. Soffit Solid .....	54

**FLASHING**

DIVERter FLASHING.....	56
Drip Cap .....	56
Spacer Flashing .....	56
Brick Ledge Flashing .....	58
Z-Flash .....	58
J-Channel.....	60
Trim Coil.....	60

**SIDING ACCESSORIES**

Universal RigidMount™ .....	62
Blank Universal RigidMount™ .....	62
UL Electrical RigidMount™ .....	64
Receptacle RigidMount™ .....	64
Oversized RigidMount™ .....	66
Split RigidMount™ .....	66
Personalized RigidMount™ .....	68
Blank Horizontal RigidMount™ .....	68
5 in. H-Molding .....	70
7 in. H-Molding .....	70
11 in. H-Molding .....	70
Metal Starter Strip.....	72
8 in. Starter Board.....	72

**FASTENERS**

1-3/4 IN. RING SHANK HAND DRIVE .....	74
2-1/2 in. Painted Nails .....	74
Cortex Screws & Plugs for PVC .....	74

## 6 IN. LAP SIDING - 3/8 IN.

Function: Textured Lap Siding

Part Description: 3/8X6 Precision Series Lap

### ACTUAL DIMENSIONS

Exposure: Variable  
Overlap:  
Min 1 in. - Max 2 in.  
Pieces per square:  
15.38 pc (1 in. Over Lap)  
Length: 16 ft.  
Width: 5.84 in.  
Height: N/A  
Min. Thickness: 0.315 in.

### CONSTRUCTION

Substrate: Strand  
LP® SmartSide®  
Finish: Diamond Kote®

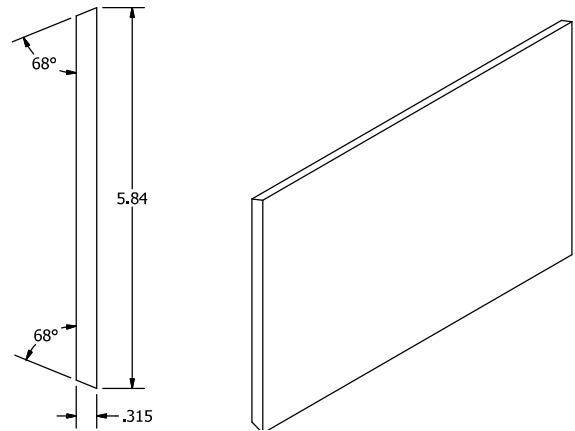
### WEIGHT

Per Piece: 11.31 lbs.  
Per Bundle: 45.24 lbs.  
Per Pallet: 1900 lbs.

### PACKAGING

Per Bundle: 4  
Per Pallet: 168

DRAWINGS SHOW ACTUAL DIMENSIONS



## 8 IN. LAP SIDING - 3/8 IN.

Function: Textured Lap Siding

Part Description: 3/8X8 Precision Series Lap

### ACTUAL DIMENSIONS

Exposure: Variable  
Overlap:  
Min 1 in. - Max 2 in.  
Pieces per square:  
10.90 pc (1 in. Over Lap)  
Length: 16 ft.  
Width: 7.84 in.  
Height: N/A  
Min. Thickness: 0.315 in.

### CONSTRUCTION

Substrate: Strand  
LP® SmartSide®  
Finish: Diamond Kote®  
Other: N/A

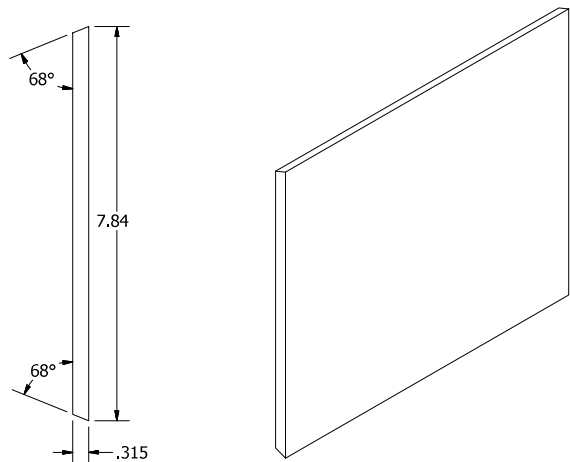
### WEIGHT

Per Piece: 14.21 lbs.  
Per Bundle: 56.84 lbs.  
Per Pallet: 1989 lbs.

### PACKAGING

Per Bundle: 4  
Per Pallet: 140

DRAWINGS SHOW ACTUAL DIMENSIONS



**COLOR AVAILABILITY CHART**  
**PRODUCTS: LAP SIDING 3/8 INCH**

SOLID COLORS	6 IN	8 IN
WHITE		
BISCUIT		
SAND		
OYSTER SHELL		
LIGHT GRAY		
CLAY		
PEWTER GREEN		
FRENCH GRAY		
PLATINUM		
TERRA BRONZE		
SEAL		
OLIVE		
PELICAN		
SMOKY ASH		
MOUNTAIN LAKE		
CINNABAR		
COFFEE		
CARIBOU		
MIDNIGHT		
GRAPHITE		
CLOVE		
BEIGE		
ONYX		
BEDROCK		
ELKHORN		
CANYON		
MAHOGANY		
GRIZZLY		
CHESTNUT		

 NOT AVAILABLE	 PAINTED TEXTURE & SMOOTH	 PAINTED TEXTURE
---	--	---



## 6 IN. RIGIDSTACK™ SIDING

Function: Stackable Textured Lap Siding

Part Description: 3/8X6 RigidStack

### ACTUAL DIMENSIONS

Exposure: 4.75 in.  
 Overlap: 1-1/8 in.  
 Pieces per square: 15.78  
 Length: 16 ft.  
 Width: 5.84 in.  
 Height: N/A  
 Min. Thickness: 0.315 in.

### CONSTRUCTION

Substrate: Strand  
 LP® SmartSide®  
 Finish: Diamond Kote®  
 Other: Plastic

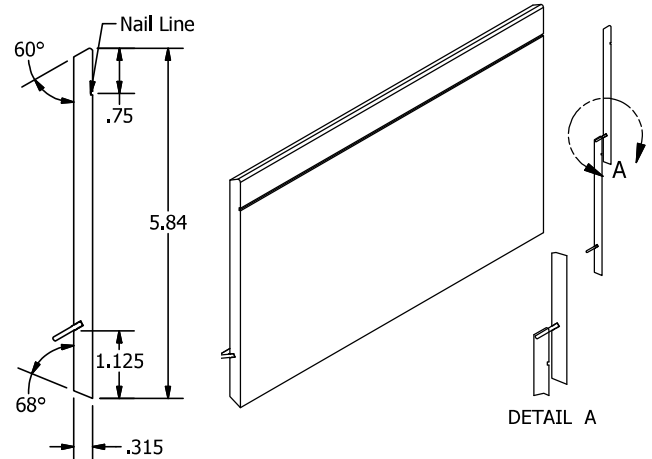
### WEIGHT

Per Piece: 11.49 lbs.  
 Per Bundle: 45.96 lbs.  
 Per Pallet: 1930.32 lbs.

### PACKAGING

Per Bundle: 4  
 Per Pallet: 168

DRAWINGS SHOW ACTUAL DIMENSIONS



## 8 IN. RIGIDSTACK™ SIDING

Function: Stackable Textured Lap Siding

Part Description: 3/8X8 RigidStack

### ACTUAL DIMENSIONS

Exposure: 6.75 in.  
 Overlap: 1-1/8 in.  
 Pieces per square: 11.11  
 Length: 16 ft.  
 Width: 7.84 in.  
 Height: N/A  
 Min. Thickness: 0.315 in.

### CONSTRUCTION

Substrate: Strand  
 LP® SmartSide®  
 Finish: Diamond Kote®  
 Other: Plastic

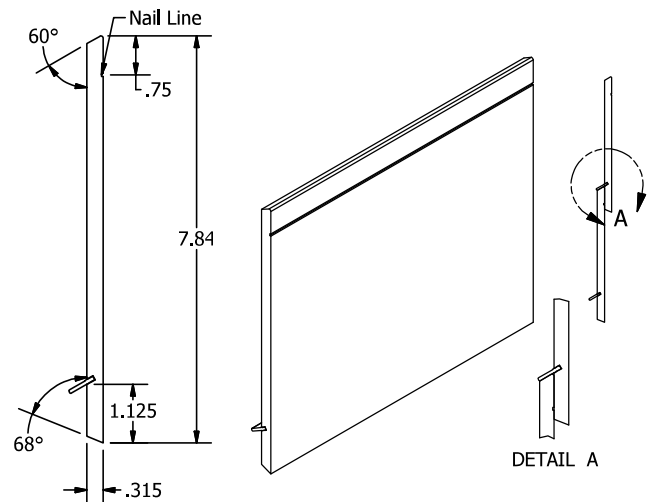
### WEIGHT

Per Piece: 15.43 lbs.  
 Per Bundle: 61.72 lbs.  
 Per Pallet: 2160.2 lbs.

### PACKAGING

Per Bundle: 4  
 Per Pallet: 140

DRAWINGS SHOW ACTUAL DIMENSIONS



## 12 IN. RIGIDSTACK™ SIDING

Function: Stackable Textured Lap Siding

Part Description: 3/8X12 RigidStack

### ACTUAL DIMENSIONS

Exposure: 10.75 in.  
 Overlap: 1-1/8 in.  
 Pieces per square: 6.97  
 Length: 16 ft.  
 Width: 11.84 in.  
 Height: N/A  
 Min. Thickness: 0.315 in.

### CONSTRUCTION

Substrate: Strand  
 LP® SmartSide®  
 Finish: Diamond Kote®  
 Other: Plastic

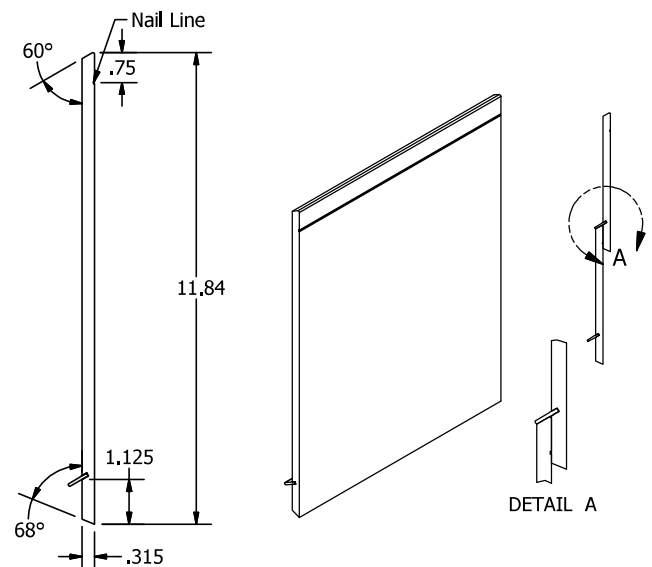
### WEIGHT

Per Piece: 20.67 lbs.  
 Per Bundle: 82.68 lbs.  
 Per Pallet: 1736.28 lbs.

### PACKAGING

Per Bundle: 4  
 Per Pallet: 84

DRAWINGS SHOW ACTUAL DIMENSIONS



**COLOR AVAILABILITY CHART**  
**PRODUCTS: RIGIDSTACK™ SIDING**

SOLID COLORS	6 IN	8 IN	12 IN
WHITE			
BISCUIT			
SAND			
OYSTER SHELL			
LIGHT GRAY			
CLAY			
PEWTER GREEN			
FRENCH GRAY			
PLATINUM			
TERRA BRONZE			
SEAL			
OLIVE			
PELICAN			
SMOKY ASH			
MOUNTAIN LAKE			
CINNABAR			
COFFEE			
CARIBOU			
MIDNIGHT			
GRAPHITE			
CLOVE			
BEIGE			
ONYX			
BEDROCK			
ELKHORN			
CANYON			
MAHOGANY			
GRIZZLY			
CHESTNUT			

 NOT AVAILABLE	 PAINTED TEXTURE & SMOOTH	 PAINTED TEXTURE
---	--	---

## 12 IN. VERTICAL SIDING

Function: Base panel for Vertical Board and Batten  
 Part Description: 12 in.X16 ft. 3/8 in. Vertical Panel

### ACTUAL DIMENSIONS

Exposure: 10-3/4 in.  
 (Between Battens)  
 Overlap: 2.5 in. Minimum  
 (On Batten Trim)  
 Pieces per square: 6.32  
 Length: 16 ft.  
 Width: 11.84 in.  
 Height: N/A  
 Min. Thickness: 0.315 in.

### CONSTRUCTION

Substrate: Strand  
 LP® SmartSide®  
 Finish: Diamond Kote®  
 Other: N/A

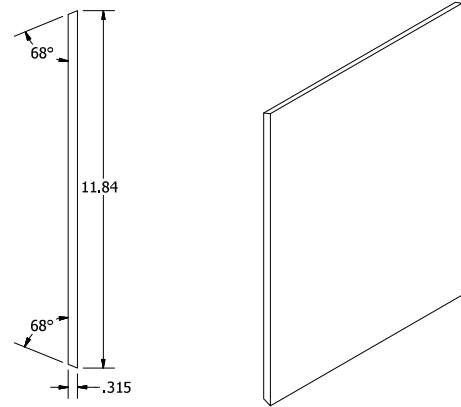
### WEIGHT

Per Piece: 20.67 lbs.  
 Per Bundle: 81.4 lbs.  
 Per Pallet: 1736 lbs.

### PACKAGING

Per Bundle: 4  
 Per Pallet: 84

DRAWINGS SHOW ACTUAL DIMENSIONS



## 16 IN. VERTICAL SIDING

Function: Base panel for Vertical Board and Batten;  
 Or Board on board installations  
 Part Description: 16 in.X16 ft. 3/8 in. Vertical Panel

### ACTUAL DIMENSIONS

Exposure: 13.25 in.  
 (Between Battens)  
 Overlap: 2.5 in. Minimum  
 (On Batten Trim)  
 Pieces per square: 4.68  
 Length: 16 ft.  
 Width: 15.94 in.  
 Height: N/A  
 Min. Thickness: 0.315 in.

### CONSTRUCTION

Substrate: Strand  
 LP® SmartSide®  
 Finish: Diamond Kote®  
 Other: N/A

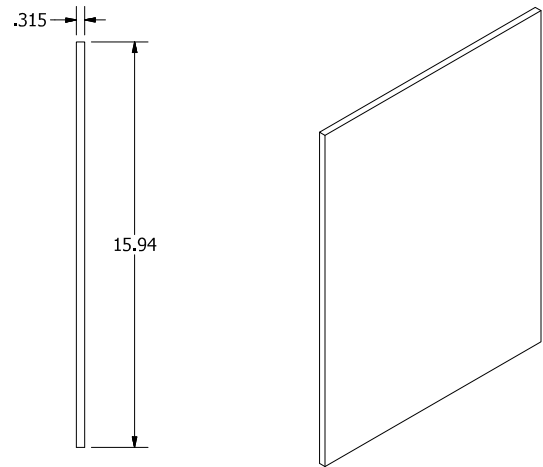
### WEIGHT

Per Piece: 27.72 lbs.  
 Per Bundle: 27.72 lbs.  
 Per Pallet: 1830 lbs.

### PACKAGING

Per Bundle: 1 Each  
 Per Pallet: 66

DRAWINGS SHOW ACTUAL DIMENSIONS



## 3 IN. BATTEN TRIM

Function: Textured trim board used to accent any substrate  
 Part Description: 19/32 in.X3X16 ft. Smart Trim Cedar

### ACTUAL DIMENSIONS

Exposure: N/A  
 Overlap: N/A  
 Pieces per square: N/A  
 Length: 16 ft.  
 Width: 2.5 in.  
 Height: N/A  
 Min. Thickness: 0.53 in.

### CONSTRUCTION

Substrate: Strand  
 LP® SmartSide®  
 Finish: Diamond Kote®  
 Other: N/A

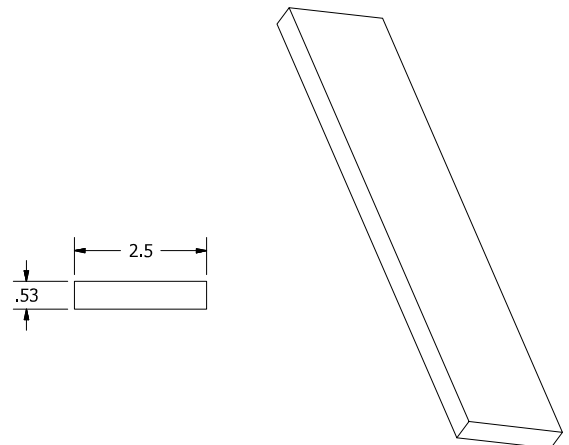
### WEIGHT

Per Piece: 6.29 lbs.  
 Per Bundle: 25.19 lbs.  
 Per Pallet: 880.6 lbs.

### PACKAGING

Per Bundle: 4  
 Per Pallet: 140




DRAWINGS SHOW ACTUAL DIMENSIONS



**COLOR AVAILABILITY CHART**

**PRODUCTS: VERTICAL SIDING & BATTEN TRIM**

SOLID COLORS	VERTICAL SIDING		BATTEN TRIM
	12 IN	16 IN	3 IN
WHITE	PAINTED TEXTURE & SMOOTH	PAINTED TEXTURE	PAINTED TEXTURE
BISCUIT	PAINTED TEXTURE & SMOOTH	PAINTED TEXTURE	PAINTED TEXTURE
SAND	PAINTED TEXTURE & SMOOTH	PAINTED TEXTURE	PAINTED TEXTURE
OYSTER SHELL	PAINTED TEXTURE & SMOOTH	PAINTED TEXTURE	PAINTED TEXTURE
LIGHT GRAY	PAINTED TEXTURE & SMOOTH	PAINTED TEXTURE	PAINTED TEXTURE
CLAY	PAINTED TEXTURE & SMOOTH	PAINTED TEXTURE	PAINTED TEXTURE
PEWTER GREEN	PAINTED TEXTURE & SMOOTH	PAINTED TEXTURE	PAINTED TEXTURE
FRENCH GRAY	PAINTED TEXTURE & SMOOTH	PAINTED TEXTURE	PAINTED TEXTURE
PLATINUM	PAINTED TEXTURE & SMOOTH	PAINTED TEXTURE	PAINTED TEXTURE
TERRA BRONZE	PAINTED TEXTURE & SMOOTH	PAINTED TEXTURE	PAINTED TEXTURE
SEAL	PAINTED TEXTURE & SMOOTH	PAINTED TEXTURE	PAINTED TEXTURE
OLIVE	PAINTED TEXTURE & SMOOTH	PAINTED TEXTURE	PAINTED TEXTURE
PELICAN	PAINTED TEXTURE & SMOOTH	PAINTED TEXTURE	PAINTED TEXTURE
SMOKY ASH	PAINTED TEXTURE & SMOOTH	PAINTED TEXTURE	PAINTED TEXTURE
MOUNTAIN LAKE	PAINTED TEXTURE & SMOOTH	PAINTED TEXTURE	PAINTED TEXTURE
CINNABAR	PAINTED TEXTURE & SMOOTH	PAINTED TEXTURE	PAINTED TEXTURE
COFFEE	PAINTED TEXTURE & SMOOTH	PAINTED TEXTURE	PAINTED TEXTURE
CARIBOU	PAINTED TEXTURE & SMOOTH	PAINTED TEXTURE	PAINTED TEXTURE
MIDNIGHT	PAINTED TEXTURE & SMOOTH	PAINTED TEXTURE	PAINTED TEXTURE
GRAPHITE	PAINTED TEXTURE & SMOOTH	PAINTED TEXTURE	PAINTED TEXTURE
CLOVE	PAINTED TEXTURE & SMOOTH	PAINTED TEXTURE	PAINTED TEXTURE
BEIGE	PAINTED TEXTURE & SMOOTH	PAINTED TEXTURE	PAINTED TEXTURE
ONYX	PAINTED TEXTURE & SMOOTH	PAINTED TEXTURE	PAINTED TEXTURE
BEDROCK	NOT AVAILABLE	PAINTED TEXTURE	PAINTED TEXTURE
ELKHORN	NOT AVAILABLE	PAINTED TEXTURE	PAINTED TEXTURE
CANYON	NOT AVAILABLE	PAINTED TEXTURE	PAINTED TEXTURE
MAHOGANY	NOT AVAILABLE	PAINTED TEXTURE	PAINTED TEXTURE
GRIZZLY	NOT AVAILABLE	PAINTED TEXTURE	PAINTED TEXTURE
CHESTNUT	NOT AVAILABLE	PAINTED TEXTURE	PAINTED TEXTURE

 NOT AVAILABLE	 PAINTED TEXTURE & SMOOTH	 PAINTED TEXTURE
---	--	---

## 4X8 NO GROOVE PANEL - 3/8 IN.

DRAWINGS SHOW ACTUAL DIMENSIONS

Function: Board & Patten Panel; Exterior Siding; Interior Accent Panel

Part Description: 4x8 3/8 in. NGSL Cedar Panel

### ACTUAL DIMENSIONS

Exposure: 48 in.  
 Overlap: 0.563 in.  
 Pieces per square: 3.125  
 Length: 96 in.  
 Width: 48.563 in.  
 Height: N/A  
 Min. Thickness: 0.315 in.

### CONSTRUCTION

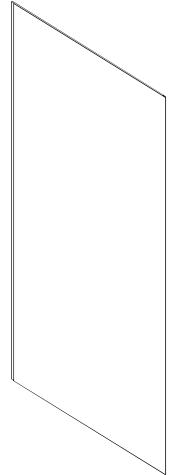
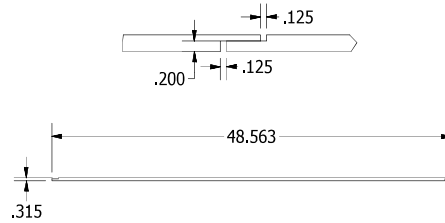
Substrate: Strand  
 LP® SmartSide®  
 Finish: Diamond Kote®  
 Other: N/A

### WEIGHT

Per Piece: 43.68 lbs.  
 Per Bundle: N/A  
 Per Pallet: 1966 lbs.

### PACKAGING

Per Bundle: 1 Each  
 Per Pallet: 45



## 4X9 NO GROOVE PANEL - 3/8 IN.

DRAWINGS SHOW ACTUAL DIMENSIONS

Function: Board & Patten Panel; Exterior Siding; Interior Accent Panel

Part Description: 4x9 3/8 in. NGSL Cedar Panel

### ACTUAL DIMENSIONS

Exposure: 48 in.  
 Overlap: 0.563 in.  
 Pieces per square: 2.77  
 Length: 108 in.  
 Width: 48.563 in.  
 Height: N/A  
 Min. Thickness: 0.315 in.

### CONSTRUCTION

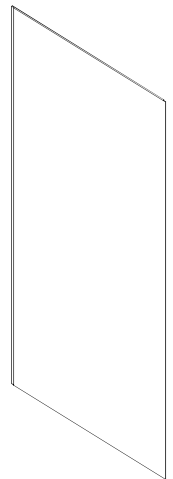
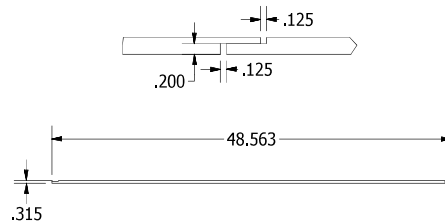
Substrate: Strand  
 LP® SmartSide®  
 Finish: Diamond Kote®  
 Other: N/A

### WEIGHT

Per Piece: 46.71 lbs.  
 Per Bundle: N/A  
 Per Pallet: 2102 lbs.

### PACKAGING

Per Bundle: 1 Each  
 Per Pallet: 45



## 4X10 NO GROOVE PANEL - 3/8 IN.

DRAWINGS SHOW ACTUAL DIMENSIONS

Function: Board & Patten Panel; Exterior Siding; Interior Accent Panel

Part Description: 4x10 3/8 in. NGSL Cedar Panel

### ACTUAL DIMENSIONS

Exposure: 48 in.  
 Overlap: 0.563 in.  
 Pieces per square: 2.5  
 Length: 120 in.  
 Width: 48.563 in.  
 Height: N/A  
 Min. Thickness: 0.315 in.

### CONSTRUCTION

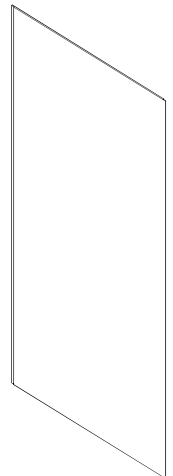
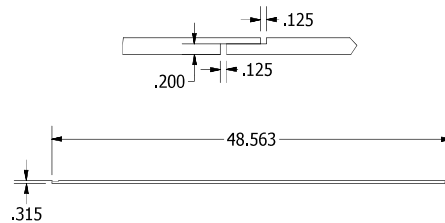
Substrate: Strand  
 LP® SmartSide®  
 Finish: Diamond Kote®  
 Other: N/A

### WEIGHT

Per Piece: 51.28 lbs.  
 Per Bundle: N/A  
 Per Pallet: 2308 lbs.

### PACKAGING

Per Bundle: 1 Each  
 Per Pallet: 45



**COLOR AVAILABILITY CHART**

**PRODUCTS: NO GROOVE PANEL 3/8 INCH**

SOLID COLORS	4X8	4X9	4X10
WHITE			
BISCUIT			
SAND			
OYSTER SHELL			
LIGHT GRAY			
CLAY			
PEWTER GREEN			
FRENCH GRAY			
PLATINUM			
TERRA BRONZE			
SEAL			
OLIVE			
PELICAN			
SMOKY ASH			
MOUNTAIN LAKE			
CINNABAR			
COFFEE			
CARIBOU			
MIDNIGHT			
GRAPHITE			
CLOVE			
BEIGE			
ONYX			
BEDROCK			
ELKHORN			
CANYON			
MAHOGANY			
GRIZZLY			
CHESTNUT			

 NOT AVAILABLE	 PAINTED TEXTURE & SMOOTH	 PAINTED TEXTURE
---	--	---

## 4X8 8 IN. OC GROOVED PANEL - 3/8 IN.

Function: Exterior Siding; Or Interior Accent Panel  
 Part Description: 4X8 3/8 in. 8 in. OC Smart Pan Cedar

### ACTUAL DIMENSIONS

Exposure: 48 in.  
 Overlap: 0.563 in.  
 Pieces per square: 3.125  
 Length: 96 in.  
 Width: 48.563 in.  
 Height: N/A  
 Min. Thickness: 0.315 in.

### CONSTRUCTION

Substrate: Strand  
 LP® SmartSide®  
 Finish: Diamond Kote®  
 Other: N/A

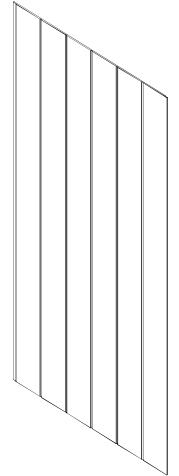
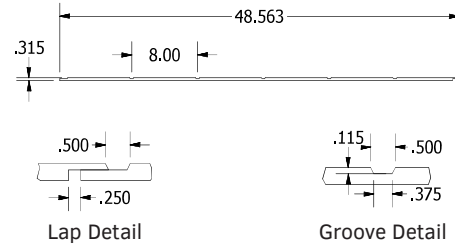
### WEIGHT

Per Piece: 40.78 lbs.  
 Per Bundle: N/A lbs.  
 Per Pallet: 1835 lbs.

### PACKAGING

Per Bundle: 1 Each  
 Per Pallet: 45

DRAWINGS SHOW ACTUAL DIMENSIONS



## 4X9 8 IN. OC GROOVED PANEL - 3/8 IN.

Function: Exterior Siding; Or Interior Accent Panel  
 Part Description: 4X9 3/8 in. 8 in. OC Smart Pan Cedar

### ACTUAL DIMENSIONS

Exposure: 48 in.  
 Overlap: 0.563 in.  
 Pieces per square: 2.77  
 Length: 108 in.  
 Width: 48.563 in.  
 Height: N/A  
 Min. Thickness: 0.315 in.

### CONSTRUCTION

Substrate: Strand  
 LP® SmartSide®  
 Finish: Diamond Kote®  
 Other: N/A

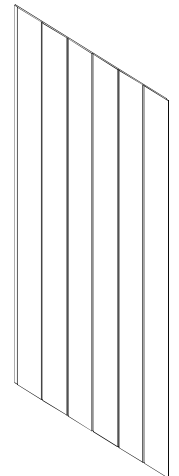
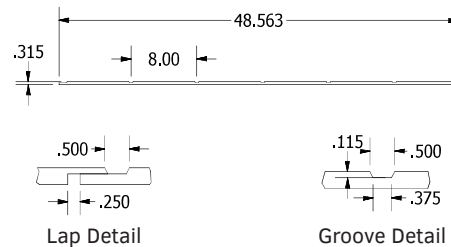
### WEIGHT

Per Piece: 44.22 lbs.  
 Per Bundle: N/A  
 Per Pallet: 1990 lbs.

### PACKAGING

Per Bundle: 1 Each  
 Per Pallet: 45

DRAWINGS SHOW ACTUAL DIMENSIONS



## 4X10 8 IN. OC GROOVED PANEL - 3/8 IN.

Function: Exterior Siding; Or Interior Accent Panel  
 Part Description: 4X10 3/8 in. 8 in. OC Smart Pan Cedar

### ACTUAL DIMENSIONS

Exposure: 48 in.  
 Overlap: 0.563 in.  
 Pieces per square: 2.5  
 Length: 120 in.  
 Width: 48.563 in.  
 Height: N/A  
 Min. Thickness: 0.315 in.

### CONSTRUCTION

Substrate: Strand  
 LP® SmartSide®  
 Finish: Diamond Kote®  
 Other: N/A

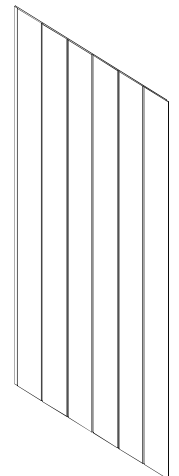
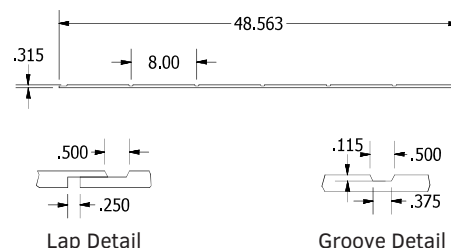
### WEIGHT

Per Piece: 51 lbs.  
 Per Bundle: N/A  
 Per Pallet: 2295 lbs.

### PACKAGING

Per Bundle: 1 Each  
 Per Pallet: 45

DRAWINGS SHOW ACTUAL DIMENSIONS



**COLOR AVAILABILITY CHART**

**PRODUCTS: 8 IN. OC GROOVED PANEL 3/8 INCH**

SOLID COLORS	4X8	4X9	4X10
WHITE			
BISCUIT			
SAND			
OYSTER SHELL			
LIGHT GRAY			
CLAY			
PEWTER GREEN			
FRENCH GRAY			
PLATINUM			
TERRA BRONZE			
SEAL			
OLIVE			
PELICAN			
SMOKY ASH			
MOUNTAIN LAKE			
CINNABAR			
COFFEE			
CARIBOU			
MIDNIGHT			
GRAPHITE			
CLOVE			
BEIGE			
ONYX			
BEDROCK			
ELKHORN			
CANYON			
MAHOGANY			
GRIZZLY			
CHESTNUT			

 NOT AVAILABLE	 PAINTED TEXTURE & SMOOTH	 PAINTED TEXTURE
---	--	---



## 4X8 8 IN. OC GROOVED PANEL - 7/16 IN.

DRAWINGS SHOW ACTUAL DIMENSIONS

Function: Exterior Siding; Or Interior Accent Panel

Part Description: 4X8 7/16 in. 8 in. OC Smart Pan Cedar

### ACTUAL DIMENSIONS

Exposure: 48 in.  
 Overlap: 0.563 in.  
 Pieces per square: 3.125  
 Length: 96 in.  
 Width: 48.563 in.  
 Height: N/A  
 Min. Thickness: 0.375 in.

### CONSTRUCTION

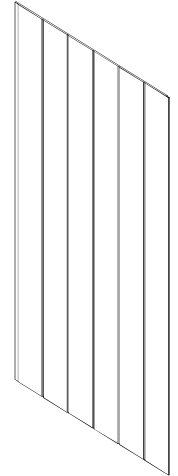
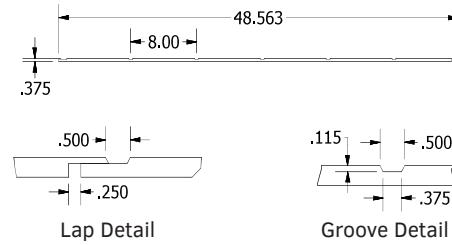
Substrate: Strand  
 LP® SmartSide®  
 Finish: Diamond Kote®  
 Other: N/A

### WEIGHT

Per Piece: 45.38 lbs.  
 Per Bundle: N/A  
 Per Pallet: 1815.2 lbs.

### PACKAGING

Per Bundle: 1 Each  
 Per Pallet: 40



## 4X9 8 IN. OC GROOVED PANEL - 7/16 IN.

DRAWINGS SHOW ACTUAL DIMENSIONS

Function: Exterior Siding; Or Interior Accent Panel

Part Description: 4X9 7/16 in. 8 in. OC Smart Pan Cedar

### ACTUAL DIMENSIONS

Exposure: 48 in.  
 Overlap: 0.563 in.  
 Pieces per square: 2.77  
 Length: 108 in.  
 Width: 48.563 in.  
 Height: N/A  
 Min. Thickness: 0.375 in.

### CONSTRUCTION

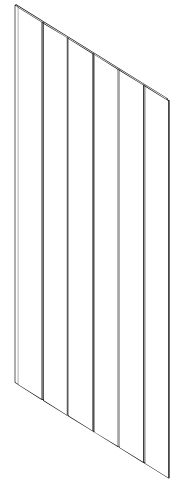
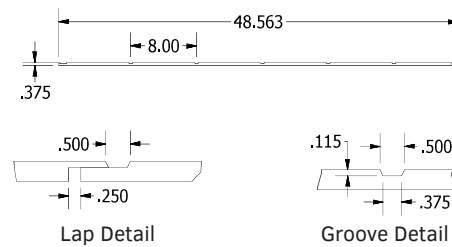
Substrate: Strand  
 LP® SmartSide®  
 Finish: Diamond Kote®  
 Other: N/A

### WEIGHT

Per Piece: 51.13 lbs.  
 Per Bundle: N/A  
 Per Pallet: 2045 lbs.

### PACKAGING

Per Bundle: 1 Each  
 Per Pallet: 40



## 4X10 8 IN. OC GROOVED PANEL - 7/16 IN.

DRAWINGS SHOW ACTUAL DIMENSIONS

Function: Exterior Siding; Or Interior Accent Panel

Part Description: 4X10 7/16 in. 8 in. OC Smart Pan Cedar

### ACTUAL DIMENSIONS

Exposure: 48 in.  
 Overlap: 0.563 in.  
 Pieces per square: 2.5  
 Length: 120 in.  
 Width: 48.563 in.  
 Height: N/A  
 Min. Thickness: 0.375 in.

### CONSTRUCTION

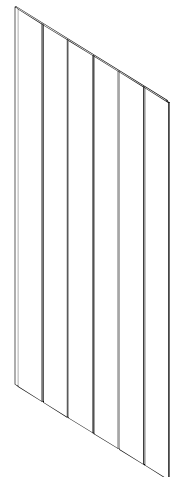
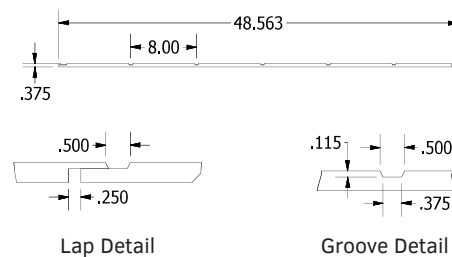
Substrate: Strand  
 LP® SmartSide®  
 Finish: Diamond Kote®  
 Other: N/A

### WEIGHT

Per Piece: 56.93 lbs.  
 Per Bundle: N/A  
 Per Pallet: 2277.2 lbs.

### PACKAGING

Per Bundle: 1 Each  
 Per Pallet: 40



**COLOR AVAILABILITY CHART**

**PRODUCTS: 8 IN. OC GROOVED PANEL 7/16 INCH**

SOLID COLORS	4X8	4X9	4X10
WHITE			
BISCUIT			
SAND			
OYSTER SHELL			
LIGHT GRAY			
CLAY			
PEWTER GREEN			
FRENCH GRAY			
PLATINUM			
TERRA BRONZE			
SEAL			
OLIVE			
PELICAN			
SMOKY ASH			
MOUNTAIN LAKE			
CINNABAR			
COFFEE			
CARIBOU			
MIDNIGHT			
GRAPHITE			
CLOVE			
BEIGE			
ONYX			
BEDROCK			
ELKHORN			
CANYON			
MAHOGANY			
GRIZZLY			
CHESTNUT			

 NOT AVAILABLE	 PAINTED TEXTURE & SMOOTH	 PAINTED TEXTURE
---	--	---

## 4X8 4 IN. OC GROOVED PANEL - 7/16 IN.

DRAWINGS SHOW ACTUAL DIMENSIONS

Function: Exterior Siding; Or Interior Accent Panel

Part Description: 4X8 7/16 in. 4 in. OC Smart Pan Cedar

### ACTUAL DIMENSIONS

Exposure: 48 in.  
 Overlap: 0.563 in.  
 Pieces per square: 3.125  
 Length: 96 in.  
 Width: 48.563 in.  
 Height: N/A  
 Min. Thickness: 0.375 in.

### CONSTRUCTION

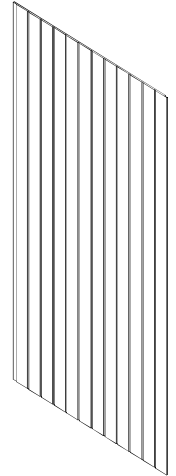
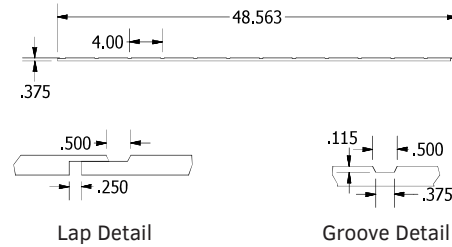
Substrate: Strand  
 LP® SmartSide®  
 Finish: Diamond Kote®  
 Other: N/A

### WEIGHT

Per Piece: 46.67 lbs.  
 Per Bundle: N/A  
 Per Pallet: 1867 lbs.

### PACKAGING

Per Bundle: 1 Each  
 Per Pallet: 40



## 4X9 4 IN. OC GROOVED PANEL - 7/16 IN.

DRAWINGS SHOW ACTUAL DIMENSIONS

Function: Exterior Siding; Or Interior Accent Panel

Part Description: 4X9 7/16 in. 4 in. OC Smart Pan Cedar

### ACTUAL DIMENSIONS

Exposure: 48 in.  
 Overlap: 0.563 in.  
 Pieces per square: 2.77  
 Length: 108 in.  
 Width: 48.563 in.  
 Height: N/A  
 Min. Thickness: 0.375 in.

### CONSTRUCTION

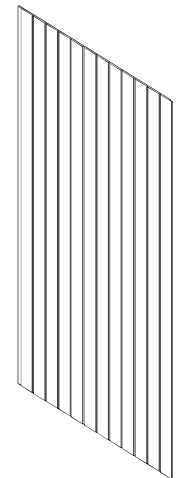
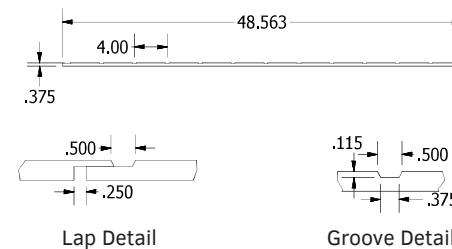
Substrate: Strand  
 LP® SmartSide®  
 Finish: Diamond Kote®  
 Other: N/A

### WEIGHT

Per Piece: 51.67 lbs.  
 Per Bundle: N/A  
 Per Pallet: 2067 lbs.

### PACKAGING

Per Bundle: 1 Each  
 Per Pallet: 40



## 4X10 4 IN. OC GROOVED PANEL - 7/16 IN.

DRAWINGS SHOW ACTUAL DIMENSIONS

Function: Exterior Siding; Or Interior Accent Panel

Part Description: 4X10 7/16 in. 4 in. OC Smart Pan Cedar

### ACTUAL DIMENSIONS

Exposure: 48 in.  
 Overlap: 0.563 in.  
 Pieces per square: 2.5  
 Length: 120 in.  
 Width: 48.563 in.  
 Height: N/A  
 Min. Thickness: 0.375 in.

### CONSTRUCTION

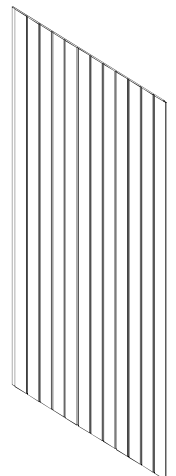
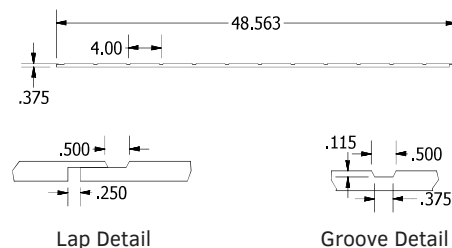
Substrate: LP® SmartSide®  
 Finish: Diamond Kote®  
 Other: N/A

### WEIGHT

Per Piece: 56.93 lbs.  
 Per Bundle: N/A  
 Per Pallet: 2277 lbs.

### PACKAGING

Per Bundle: 1 Each  
 Per Pallet: 40



**COLOR AVAILABILITY CHART**

**PRODUCTS: 4 IN. OC GROOVED PANEL 7/16 INCH**

SOLID COLORS	4X8	4X9	4X10
WHITE			
BISCUIT			
SAND			
OYSTER SHELL			
LIGHT GRAY			
CLAY			
PEWTER GREEN			
FRENCH GRAY			
PLATINUM			
TERRA BRONZE			
SEAL			
OLIVE			
PELICAN			
SMOKY ASH			
MOUNTAIN LAKE			
CINNABAR			
COFFEE			
CARIBOU			
MIDNIGHT			
GRAPHITE			
CLOVE			
BEIGE			
ONYX			
BEDROCK			
ELKHORN			
CANYON			
MAHOGANY			
GRIZZLY			
CHESTNUT			

 NOT AVAILABLE	 PAINTED TEXTURE & SMOOTH	 PAINTED TEXTURE
---	--	---

## 7 IN. RIGIDSHAKE™ STAGGERED EDGE

Function: Textured Shake Siding

Part Description: RS 7" Stag Shake Ced 7x48

### ACTUAL DIMENSIONS

Exposure: 4.875 in.  
 Overlap: 2.125 in.  
 Pieces per square: 61.53  
 Length: 48 in.  
 Width: 7 in.  
 Height: N/A  
 Min. Thickness: 0.315 in.

### CONSTRUCTION

Substrate: Strand  
 LP® SmartSide®  
 Finish: Diamond Kote®  
 Other: Plastic

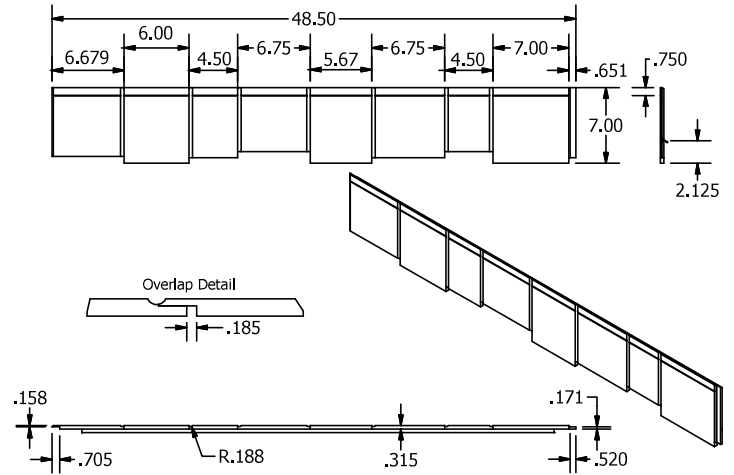
### WEIGHT

Per Piece: 3.15 lbs.  
 Per Bundle: 12.6 lbs.  
 Per Pallet: 756 lbs.

### PACKAGING

Per Carton: 4  
 Per Pallet: 240

DRAWINGS SHOW ACTUAL DIMENSIONS



## 7 IN. RIGIDSHAKE™ STRAIGHT EDGE

Function: Textured Shake Siding

Part Description: RS 7" Strt Shake Ced 7x48

### ACTUAL DIMENSIONS

Exposure: 4.875 in.  
 Overlap: 2.125 in.  
 Pieces per square: 61.53  
 Length: 48 in.  
 Width: 7 in.  
 Height: N/A  
 Min. Thickness: 0.315 in.

### CONSTRUCTION

Substrate: Strand  
 LP® SmartSide®  
 Finish: Diamond Kote®  
 Other: Plastic

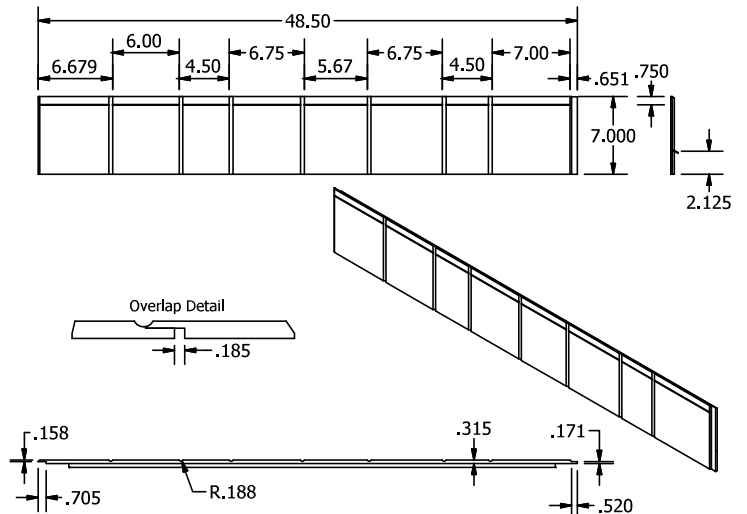
### WEIGHT

Per Piece: 3.52 lbs.  
 Per Bundle: 14.08 lbs.  
 Per Pallet: 844.8 lbs.

### PACKAGING

Per Carton: 4  
 Per Pallet: 240

DRAWINGS SHOW ACTUAL DIMENSIONS



## COLOR AVAILABILITY CHART

### PRODUCTS: 7 INCH RIGIDSHAKE™

SOLID COLORS	STAGGERED EDGE	STRAIGHT EDGE
WHITE		
BISCUIT		
SAND		
OYSTER SHELL		
LIGHT GRAY		
CLAY		
PEWTER GREEN		
FRENCH GRAY		
PLATINUM		
TERRA BRONZE		
SEAL		
OLIVE		
PELICAN		
SMOKY ASH		
MOUNTAIN LAKE		
CINNABAR		
COFFEE		
CARIBOU		
MIDNIGHT		
GRAPHITE		
CLOVE		
BEIGE		
ONYX		
BEDROCK		
ELKHORN		
CANYON		
MAHOGANY		
GRIZZLY		
CHESTNUT		



NOT AVAILABLE



PAINTED TEXTURE &amp; SMOOTH



PAINTED TEXTURE

## 9 IN. RIGIDSHAKE™ STAGGERED EDGE

Function: Textured Shake Siding

Part Description: RS 9" Stag Shake Ced 9x48

### ACTUAL DIMENSIONS

Exposure: 6.875 in.  
 Overlap: 2.125 in.  
 Pieces per square: 43.63  
 Length: 48 in.  
 Width: 9 in.  
 Height: N/A  
 Min. Thickness: 0.315 in.

### CONSTRUCTION

Substrate: Strand  
 LP® SmartSide®  
 Finish: Diamond Kote®  
 Other: Plastic

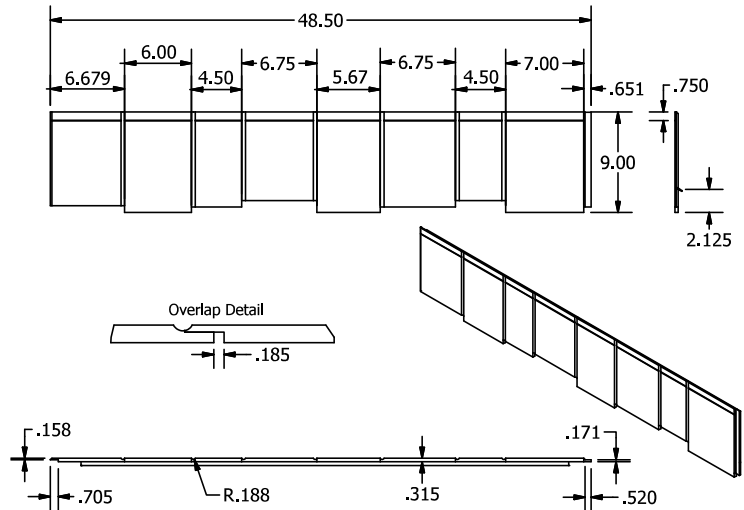
### WEIGHT

Per Piece: 4 lbs.  
 Per Bundle: 16 lbs.  
 Per Pallet: 768 lbs.

### PACKAGING

Per Carton: 4  
 Per Pallet: 192

DRAWINGS SHOW ACTUAL DIMENSIONS



## 9 IN. RIGIDSHAKE™ STRAIGHT EDGE

Function: Textured Shake Siding

Part Description: RS 9" Strt Shake WSS Ced 9x48

### ACTUAL DIMENSIONS

Exposure: 6.875 in.  
 Overlap: 2.125 in.  
 Pieces per square: 43.63  
 Length: 48 in.  
 Width: 9 in.  
 Height: N/A  
 Min. Thickness: 0.315 in.

### CONSTRUCTION

Substrate: Strand  
 LP® SmartSide®  
 Finish: Diamond Kote®  
 Other: Plastic

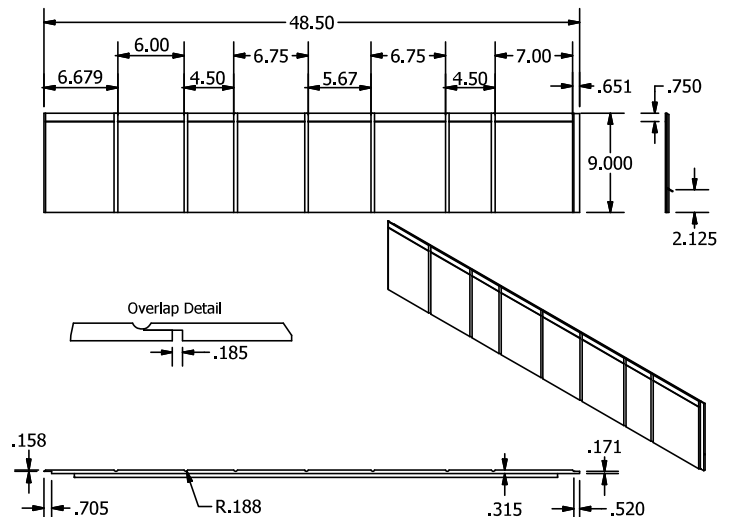
### WEIGHT

Per Piece: 4.51 lbs.  
 Per Bundle: 18.04 lbs.  
 Per Pallet: 865.92 lbs.

### PACKAGING

Per Carton: 4  
 Per Pallet: 192

DRAWINGS SHOW ACTUAL DIMENSIONS



## COLOR AVAILABILITY CHART

### PRODUCTS: 9 INCH RIGIDSHAKE™

SOLID COLORS	STAGGERED EDGE	STRAIGHT EDGE
WHITE		
BISCUIT		
SAND		
OYSTER SHELL		
LIGHT GRAY		
CLAY		
PEWTER GREEN		
FRENCH GRAY		
PLATINUM		
TERRA BRONZE		
SEAL		
OLIVE		
PELICAN		
SMOKY ASH		
MOUNTAIN LAKE		
CINNABAR		
COFFEE		
CARIBOU		
MIDNIGHT		
GRAPHITE		
CLOVE		
BEIGE		
ONYX		
BEDROCK		
ELKHORN		
CANYON		
MAHOGANY		
GRIZZLY		
CHESTNUT		



NOT AVAILABLE



PAINTED TEXTURE &amp; SMOOTH



PAINTED TEXTURE



## 12 IN. RIGIDSHAKE™ STAGGERED EDGE

Function: Textured Shake Siding

Part Description: RS 12" Stag Shake Ced 12x48

### ACTUAL DIMENSIONS

Exposure: 9.625 in.  
 Overlap: 2.125 in.  
 Pieces per square: 31.16  
 Length: 48 in.  
 Width: 11.77 in.  
 Height: N/A  
 Min. Thickness: 0.315 in.

### CONSTRUCTION

Substrate: Strand  
 LP® SmartSide®  
 Finish: Diamond Kote®  
 Other: Plastic

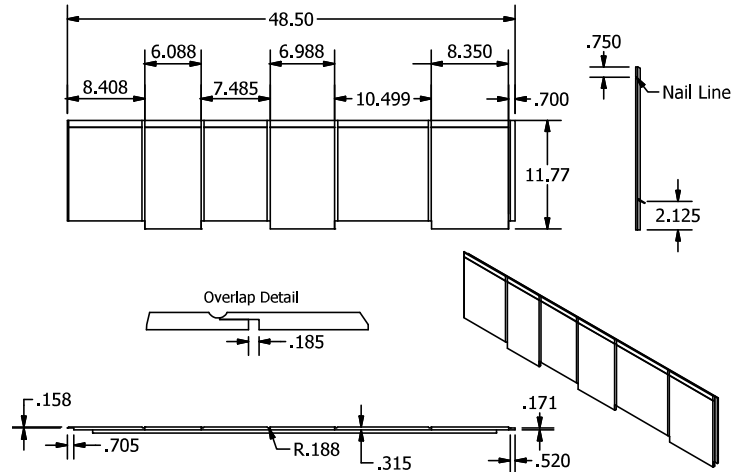
### WEIGHT

Per Piece: 4.4 lbs.  
 Per Bundle: 21 lbs.  
 Per Pallet: 634 lbs.

### PACKAGING

Per Carton: 4  
 Per Pallet: 144

DRAWINGS SHOW ACTUAL DIMENSIONS



## 12 IN. RIGIDSHAKE™ STRAIGHT EDGE

Function: Textured Shake Siding

Part Description: RS 12" Strt Shake Ced 12x48

### ACTUAL DIMENSIONS

Exposure: 9.625 in.  
 Overlap: 2.125 in.  
 Pieces per square: 31.16  
 Length: 48 in.  
 Width: 11.77 in.  
 Height: N/A  
 Min. Thickness: 0.315 in.

### CONSTRUCTION

Substrate: Strand  
 LP® SmartSide®  
 Finish: Diamond Kote®  
 Other: Plastic

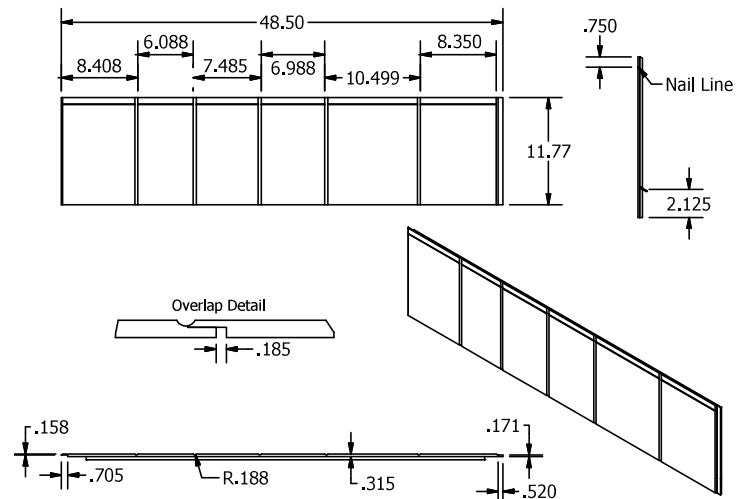
### WEIGHT

Per Piece: 4.8 lbs.  
 Per Bundle: 22 lbs.  
 Per Pallet: 691 lbs.

### PACKAGING

Per Carton: 4  
 Per Pallet: 144

DRAWINGS SHOW ACTUAL DIMENSIONS



**COLOR AVAILABILITY CHART**  
**PRODUCTS: 12 INCH RIGIDSHAKE™**

SOLID COLORS	STAGGERED EDGE	STRAIGHT EDGE
WHITE		
BISCUIT		
SAND		
OYSTER SHELL		
LIGHT GRAY		
CLAY		
PEWTER GREEN		
FRENCH GRAY		
PLATINUM		
TERRA BRONZE		
SEAL		
OLIVE		
PELICAN		
SMOKY ASH		
MOUNTAIN LAKE		
CINNABAR		
COFFEE		
CARIBOU		
MIDNIGHT		
GRAPHITE		
CLOVE		
BEIGE		
ONYX		
BEDROCK		
ELKHORN		
CANYON		
MAHOGANY		
GRIZZLY		
CHESTNUT		

 NOT AVAILABLE	 PAINTED TEXTURE & SMOOTH	 PAINTED TEXTURE
---	--	---

## 12 IN. SCALLOP - HISTORIC COLLECTION

Function: Textured Shape Siding

Part Description: Scallop

### ACTUAL DIMENSIONS

Exposure: 7.75 in.  
 Overlap: 4 in.  
 Pieces per square: 39  
 Length: 48 in.  
 Width: 11.77 in.  
 Height: N/A  
 Min. Thickness: 0.315 in.

### CONSTRUCTION

Substrate: Strand  
 LP® SmartSide®  
 Finish: Diamond Kote®  
 Other: N/A

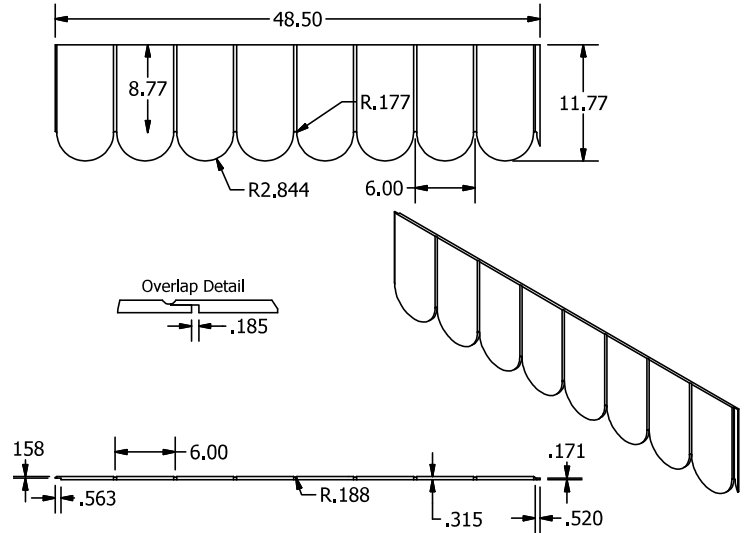
### WEIGHT

Per Piece: 4.6 lbs.  
 Per Bundle: 21.8 lbs.  
 Per Pallet: 662 lbs.

### PACKAGING

Per Bundle: 4  
 Per Pallet: 144

DRAWINGS SHOW ACTUAL DIMENSIONS



## 12 IN. OCTAGON - HISTORIC COLLECTION

Function: Textured Shape Siding

Part Description: Octagon

### ACTUAL DIMENSIONS

Exposure: 9.625 in.  
 Overlap: 2.125 in.  
 Pieces per square: 31.16  
 Length: 48 in.  
 Width: 11.77 in.  
 Height: N/A  
 Min. Thickness: 0.315 in.

### CONSTRUCTION

Substrate: Strand  
 LP® SmartSide®  
 Finish: Diamond Kote®  
 Other: N/A

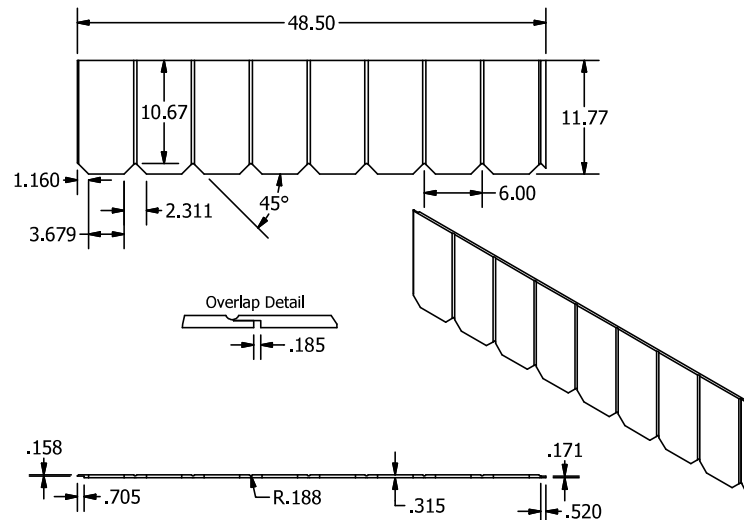
### WEIGHT

Per Piece: 4.8 lbs.  
 Per Bundle: 22 lbs.  
 Per Pallet: 691 lbs.

### PACKAGING

Per Bundle: 4  
 Per Pallet: 144

DRAWINGS SHOW ACTUAL DIMENSIONS



**COLOR AVAILABILITY CHART**  
**PRODUCTS: 12 INCH SCALLOP & OCTAGON**

SOLID COLORS	SCALLOP	OCTAGON
WHITE		
BISCUIT		
SAND		
OYSTER SHELL		
LIGHT GRAY		
CLAY		
PEWTER GREEN		
FRENCH GRAY		
PLATINUM		
TERRA BRONZE		
SEAL		
OLIVE		
PELICAN		
SMOKY ASH		
MOUNTAIN LAKE		
CINNABAR		
COFFEE		
CARIBOU		
MIDNIGHT		
GRAPHITE		
CLOVE		
BEIGE		
ONYX		
BEDROCK		
ELKHORN		
CANYON		
MAHOGANY		
GRIZZLY		
CHESTNUT		

 NOT AVAILABLE	 PAINTED TEXTURE & SMOOTH	 PAINTED TEXTURE
---	--	---

## 4 IN. NAIL FIN OUTSIDE CORNER - 10 FT

Function: One piece design used to trim the outside corners; Part of the exterior siding system

Part Description: 5/4X4X10 OSC LP Ced W/Nail Fin

### ACTUAL DIMENSIONS

Exposure: 3.5 in.  
Overlap: N/A  
Pieces per square: N/A  
Length: 120 in.  
Width: 3.5 in.  
Height: N/A  
Min. Thickness: 0.91 in.

### CONSTRUCTION

Substrate: Strand  
LP® SmartSide®  
Finish: Diamond Kote®  
Other: Plastic

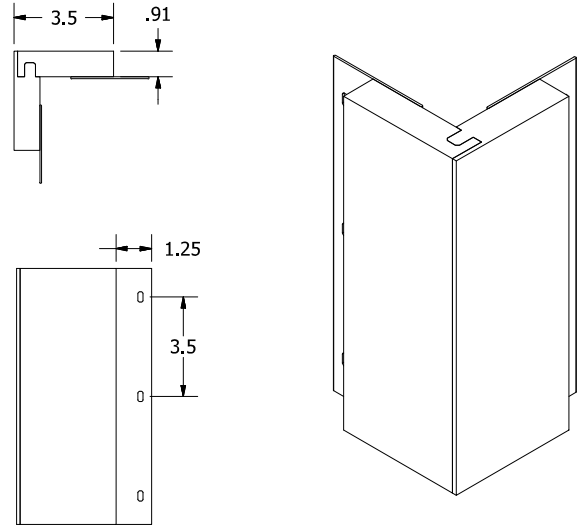
### WEIGHT

Per Piece: 19.67 lbs.  
Per Bundle: 19.67 lbs.  
Per Pallet: 590.1 lbs.

### PACKAGING

Per Bundle: 1  
Per Pallet: 30

DRAWINGS SHOW ACTUAL DIMENSIONS



## 6 IN. NAIL FIN OUTSIDE CORNER - 10 FT

Function: One piece design used to trim the outside corners; Part of the exterior siding system

Part Description: 5/4X6X10 OSC LP Ced W/Nail Fin

### ACTUAL DIMENSIONS

Exposure: 5.5 in.  
Overlap: N/A  
Pieces per square: N/A  
Length: 120  
Width: 5.5 in.  
Height: N/A  
Min. Thickness: 0.91 in.

### CONSTRUCTION

Substrate: Strand  
LP® SmartSide®  
Finish: Diamond Kote®  
Other: Plastic

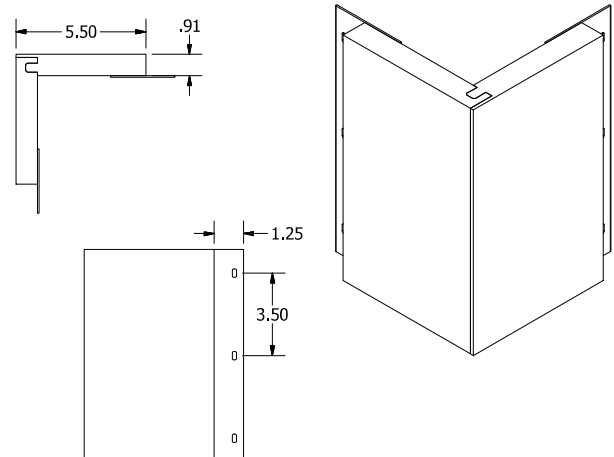
### WEIGHT

Per Piece: 32 lbs.  
Per Bundle: 32 lbs.  
Per Pallet: 480 lbs.

### PACKAGING

Per Bundle: 1  
Per Pallet: 15

DRAWINGS SHOW ACTUAL DIMENSIONS



**COLOR AVAILABILITY CHART**

**PRODUCTS: NAIL FIN OUTSIDE CORNER - 10 FT**

SOLID COLORS	4 INCH	6 INCH
WHITE		
BISCUIT		
SAND		
OYSTER SHELL		
LIGHT GRAY		
CLAY		
PEWTER GREEN		
FRENCH GRAY		
PLATINUM		
TERRA BRONZE		
SEAL		
OLIVE		
PELICAN		
SMOKY ASH		
MOUNTAIN LAKE		
CINNABAR		
COFFEE		
CARIBOU		
MIDNIGHT		
GRAPHITE		
CLOVE		
BEIGE		
ONYX		
BEDROCK		
ELKHORN		
CANYON		
MAHOGANY		
GRIZZLY		
CHESTNUT		

 NOT AVAILABLE	 PAINTED TEXTURE & SMOOTH	 PAINTED TEXTURE
---	--	---

## 4 IN. NAIL FIN OUTSIDE CORNER - 16 FT

DRAWINGS SHOW ACTUAL DIMENSIONS

Function: One piece design used to trim the outside corners; Part of the exterior siding system

Part Description: 5/4X4X16 OSC LP Ced W/Nail Fin

### ACTUAL DIMENSIONS

Exposure: 3.5 in.  
 Overlap: N/A  
 Pieces per square: N/A  
 Length: 192 in.  
 Width: 3.5 in.  
 Height: N/A  
 Min. Thickness: 0.91 in.

### CONSTRUCTION

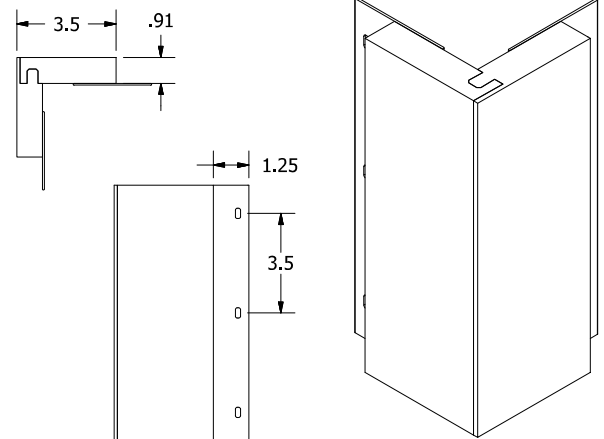
Substrate: Strand  
 LP® SmartSide®  
 Finish: Diamond Kote®  
 Other: Plastic

### WEIGHT

Per Piece: 31.47 lbs.  
 Per Bundle: 31.47 lbs.  
 Per Pallet: 944.1 lbs.

### PACKAGING

Per Bundle: 1  
 Per Pallet: 30



## 6 IN. NAIL FIN OUTSIDE CORNER - 16 FT

DRAWINGS SHOW ACTUAL DIMENSIONS

Function: One piece design used to trim the outside corners; Part of the exterior siding system

Part Description: 5/4X6X16 OSC LP Ced W/Nail Fin

### ACTUAL DIMENSIONS

Exposure: 5.5 in.  
 Overlap: N/A  
 Pieces per square: N/A  
 Length: 192 in.  
 Width: 5.5 in.  
 Height: N/A  
 Min. Thickness: 0.91 in.

### CONSTRUCTION

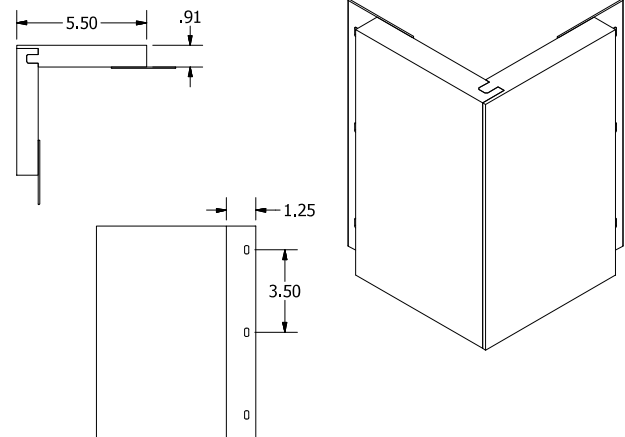
Substrate: Strand  
 LP® SmartSide®  
 Finish: Diamond Kote®  
 Other: Plastic

### WEIGHT

Per Piece: 52 lbs.  
 Per Bundle: 52 lbs.  
 Per Pallet: 780 lbs.

### PACKAGING

Per Bundle: 1  
 Per Pallet: 15



## 3 IN. NAIL FIN INSIDE CORNER - 10 FT

DRAWINGS SHOW ACTUAL DIMENSIONS

Function: One piece design used to trim the outside corners; Part of the exterior siding system

Part Description: 5/4X3X10 ISC Ced Nail Fin

### ACTUAL DIMENSIONS

Exposure:  
 1.50 in. X 1.50 in.  
 Overlap: N/A  
 Pieces per square: N/A  
 Length: 120 in.  
 Width: 2.41 in.  
 Height: N/A  
 Min. Thickness: 0.91 in.

### CONSTRUCTION

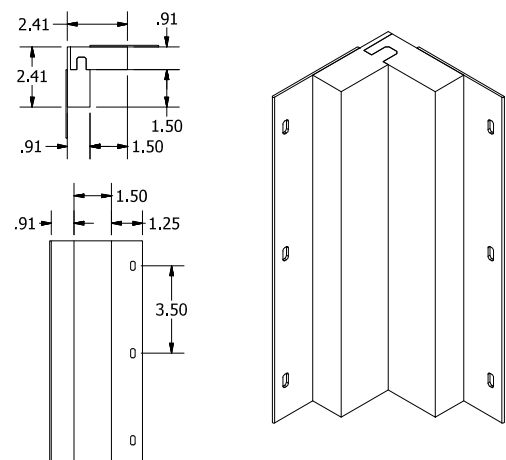
Substrate: Strand  
 LP® SmartSide®  
 Finish: Diamond Kote®  
 Other: Plastic

### WEIGHT

Per Piece: 16 lbs.  
 Per Bundle: 16 lbs.  
 Per Pallet: 400 lbs.

### PACKAGING

Per Bundle: 1  
 Per Pallet: 25



**COLOR AVAILABILITY CHART**

**PRODUCTS: NAIL FIN OUTSIDE CORNER - 16 FT  
& NAIL FIN INSIDE CORNER - 10 FT**

	OUTSIDE CORNER		INSIDE CORNER
SOLID COLORS	4 INCH	6 INCH	3 INCH
WHITE			
BISCUIT			
SAND			
OYSTER SHELL			
LIGHT GRAY			
CLAY			
PEWTER GREEN			
FRENCH GRAY			
PLATINUM			
TERRA BRONZE			
SEAL			
OLIVE			
PELICAN			
SMOKY ASH			
MOUNTAIN LAKE			
CINNABAR			
COFFEE			
CARIBOU			
MIDNIGHT			
GRAPHITE			
CLOVE			
BEIGE			
ONYX			
BEDROCK			
ELKHORN			
CANYON			
MAHOGANY			
GRIZZLY			
CHESTNUT			

 NOT AVAILABLE	 PAINTED TEXTURE & SMOOTH	 PAINTED TEXTURE
---	--	---



## 4 IN. NAIL FIN TRIM

*DRAWINGS SHOW ACTUAL DIMENSIONS*

Function: Trim boards used around windows, doors, and gable accents; Vertical terminations of siding

Part Description: 5/4X4X16 Trim Nail Fin

### ACTUAL DIMENSIONS

Exposure: 3.5 in.  
 Overlap: N/A  
 Pieces per square: N/A  
 Length: 192 in.  
 Width: 3.5 in.  
 Height: N/A  
 Min. Thickness: 0.91 in.

### CONSTRUCTION

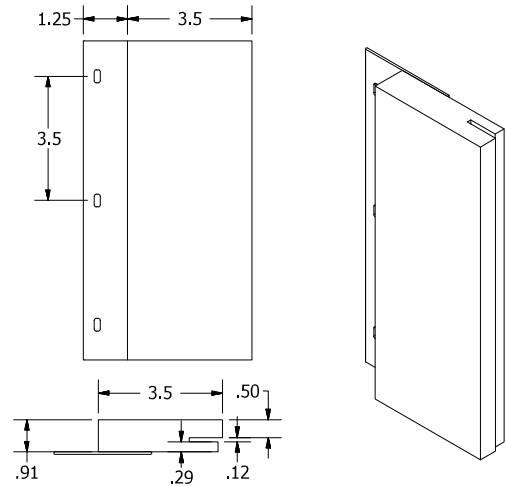
Substrate: Strand  
 LP® SmartSide®  
 Finish: Diamond Kote®  
 Other: Plastic

### WEIGHT

Per Piece: 16.67 lbs.  
 Per Bundle: 33.34 lbs.  
 Per Pallet: 1500.3 lbs.

### PACKAGING

Per Bundle: 2  
 Per Pallet: 90



## 6 IN. NAIL FIN TRIM

*DRAWINGS SHOW ACTUAL DIMENSIONS*

Function: Trim boards used around windows, doors, and gable accents; Vertical terminations of siding

Part Description: 5/4X6X16 Trim Nail Fin

### ACTUAL DIMENSIONS

Exposure: 5.5 in.  
 Overlap: N/A  
 Pieces per square: N/A  
 Length: 192 in.  
 Width: 5.5 in.  
 Height: N/A  
 Min. Thickness: 0.91 in.

### CONSTRUCTION

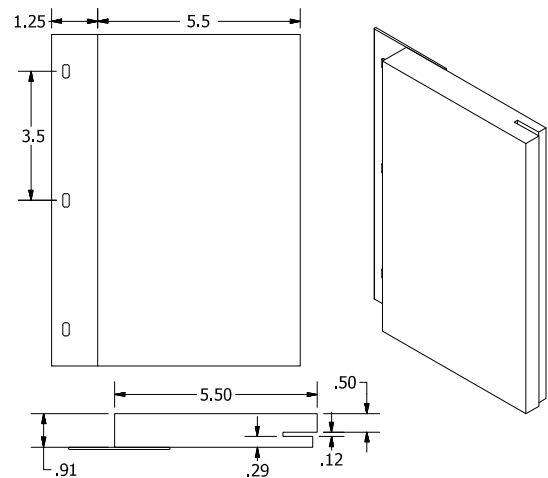
Substrate: Strand  
 LP® SmartSide®  
 Finish: Diamond Kote®  
 Other: Plastic

### WEIGHT

Per Piece: 25.33 lbs.  
 Per Bundle: 50.66 lbs.  
 Per Pallet: 1520 lbs.

### PACKAGING

Per Bundle: 2  
 Per Pallet: 60



## TRIM CLIP

*DRAWINGS SHOW ACTUAL DIMENSIONS*

Function: Trim Clip mounts Nail Fin Trim to the wall

Part Description: Trim Clip 3/8 in.X 2 in. Alum 100/Bg 10Bg/Ct

### ACTUAL DIMENSIONS

Exposure: N/A  
 Overlap: 0.75 in.  
 Pieces/Trim Board: 12  
 Length: 1.63 in.  
 Width: 0.38 in.  
 Height: 1.56 in.  
 Min. Thickness: 0.019 in.

### CONSTRUCTION

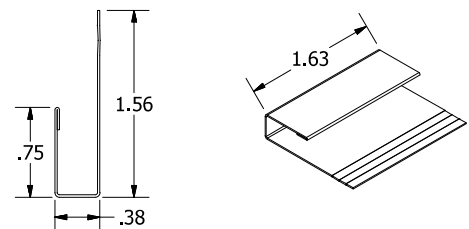
Substrate: Aluminium  
 Finish: Q800 Tufftech®  
 Other: N/A

### WEIGHT

Per Piece: 0.0085 lbs.  
 Per Bundle: 0.85 lbs.  
 Per Pallet: 8.5 lbs.

### PACKAGING

Per Bundle: 100  
 Per Pallet: N/A



**COLOR AVAILABILITY CHART**  
**PRODUCTS: NAIL FIN TRIM & TRIM CLIP**

SOLID COLORS	NAIL FIN TRIM		TRIM CLIP
	4 INCH	6 INCH	3/8X2
WHITE	PAINTED TEXTURE & SMOOTH	PAINTED TEXTURE & SMOOTH	NOT AVAILABLE
BISCUIT	PAINTED TEXTURE & SMOOTH	PAINTED TEXTURE & SMOOTH	NOT AVAILABLE
SAND	PAINTED TEXTURE & SMOOTH	PAINTED TEXTURE & SMOOTH	NOT AVAILABLE
OYSTER SHELL	PAINTED TEXTURE & SMOOTH	PAINTED TEXTURE & SMOOTH	NOT AVAILABLE
LIGHT GRAY	PAINTED TEXTURE & SMOOTH	PAINTED TEXTURE & SMOOTH	NOT AVAILABLE
CLAY	PAINTED TEXTURE & SMOOTH	PAINTED TEXTURE & SMOOTH	NOT AVAILABLE
PEWTER GREEN	PAINTED TEXTURE & SMOOTH	PAINTED TEXTURE & SMOOTH	NOT AVAILABLE
FRENCH GRAY	PAINTED TEXTURE & SMOOTH	PAINTED TEXTURE & SMOOTH	NOT AVAILABLE
PLATINUM	PAINTED TEXTURE & SMOOTH	PAINTED TEXTURE & SMOOTH	NOT AVAILABLE
TERRA BRONZE	PAINTED TEXTURE & SMOOTH	PAINTED TEXTURE & SMOOTH	NOT AVAILABLE
SEAL	PAINTED TEXTURE & SMOOTH	PAINTED TEXTURE & SMOOTH	NOT AVAILABLE
OLIVE	PAINTED TEXTURE & SMOOTH	PAINTED TEXTURE & SMOOTH	NOT AVAILABLE
PELICAN	PAINTED TEXTURE & SMOOTH	PAINTED TEXTURE & SMOOTH	NOT AVAILABLE
SMOKY ASH	PAINTED TEXTURE & SMOOTH	PAINTED TEXTURE & SMOOTH	NOT AVAILABLE
MOUNTAIN LAKE	PAINTED TEXTURE & SMOOTH	PAINTED TEXTURE & SMOOTH	NOT AVAILABLE
CINNABAR	PAINTED TEXTURE & SMOOTH	PAINTED TEXTURE & SMOOTH	NOT AVAILABLE
COFFEE	PAINTED TEXTURE & SMOOTH	PAINTED TEXTURE & SMOOTH	NOT AVAILABLE
CARIBOU	PAINTED TEXTURE & SMOOTH	PAINTED TEXTURE & SMOOTH	NOT AVAILABLE
MIDNIGHT	PAINTED TEXTURE & SMOOTH	PAINTED TEXTURE & SMOOTH	NOT AVAILABLE
GRAPHITE	PAINTED TEXTURE & SMOOTH	PAINTED TEXTURE & SMOOTH	NOT AVAILABLE
CLOVE	PAINTED TEXTURE & SMOOTH	PAINTED TEXTURE & SMOOTH	NOT AVAILABLE
BEIGE	PAINTED TEXTURE & SMOOTH	PAINTED TEXTURE & SMOOTH	NOT AVAILABLE
ONYX	PAINTED TEXTURE & SMOOTH	PAINTED TEXTURE & SMOOTH	NOT AVAILABLE
BEDROCK	PAINTED TEXTURE	PAINTED TEXTURE	NOT AVAILABLE
ELKHORN	PAINTED TEXTURE	PAINTED TEXTURE	NOT AVAILABLE
CANYON	PAINTED TEXTURE	PAINTED TEXTURE	NOT AVAILABLE
MAHOGANY	PAINTED TEXTURE	PAINTED TEXTURE	NOT AVAILABLE
GRIZZLY	PAINTED TEXTURE	PAINTED TEXTURE	NOT AVAILABLE
CHESTNUT	PAINTED TEXTURE	PAINTED TEXTURE	NOT AVAILABLE

 NOT AVAILABLE	 PAINTED TEXTURE & SMOOTH	 PAINTED TEXTURE
---	--	---

## 5/4 X 2 IN. SMART TRIM

Function: Textured trim board used to accent any substrate

Part Description: 5/4X2X16 ft. Smart Trim

### ACTUAL DIMENSIONS

Exposure: N/A  
 Overlap: N/A  
 Pieces per square: N/A  
 Length: 192 in.  
 Width: 1.5 in.  
 Height: N/A  
 Min. Thickness: 0.91 in.

### CONSTRUCTION

Substrate: Strand  
 LP® SmartSide®  
 Finish: Diamond Kote®  
 Other: N/A

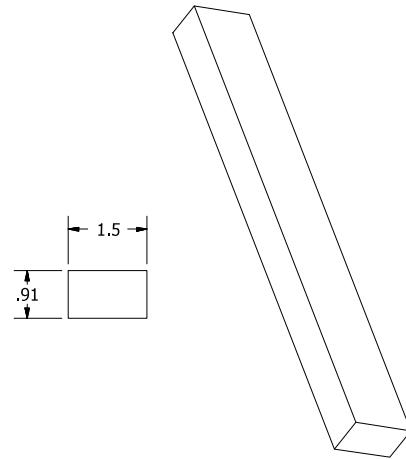
### WEIGHT

Per Piece: 6.52 lbs.  
 Per Bundle: 13.04 lbs.  
 Per Pallet: 1669.12 lbs.

### PACKAGING

Per Bundle: 4  
 Per Pallet: 256

DRAWINGS SHOW ACTUAL DIMENSIONS



## 5/4 X 3 IN. SMART TRIM

Function: Textured trim board used to accent any substrate

Part Description: 5/4X3X16 ft. Smart Trim

### ACTUAL DIMENSIONS

Exposure: N/A  
 Overlap: N/A  
 Pieces per square: N/A  
 Length: 192 in.  
 Width: 2.5 in.  
 Height: N/A  
 Min. Thickness: 0.91 in.

### CONSTRUCTION

Substrate: Strand  
 LP® SmartSide®  
 Finish: Diamond Kote®  
 Other: N/A

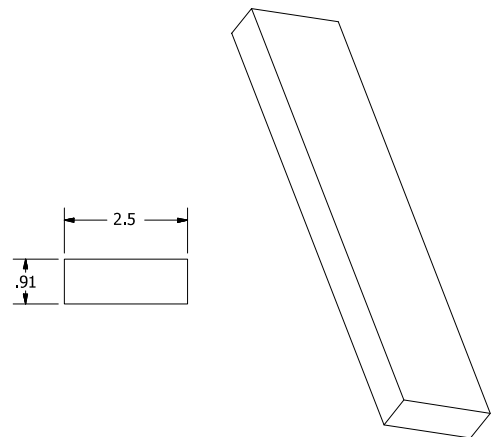
### WEIGHT

Per Piece: 12.03 lbs.  
 Per Bundle: 12.03 lbs.  
 Per Pallet: 1948.86 lbs.

### PACKAGING

Per Bundle: 4  
 Per Pallet: 162

DRAWINGS SHOW ACTUAL DIMENSIONS



## 5/4 X 4 IN. SMART TRIM

Function: Textured trim board used to accent any substrate

Part Description: 5/4X4X16 ft. Smart Trim

### ACTUAL DIMENSIONS

Exposure: N/A  
 Overlap: N/A  
 Pieces per square: N/A  
 Length: 192 in.  
 Width: 3.5 in.  
 Height: N/A  
 Min. Thickness: 0.91 in.

### CONSTRUCTION

Substrate: Strand  
 LP® SmartSide®  
 Finish: Diamond Kote®  
 Other: N/A

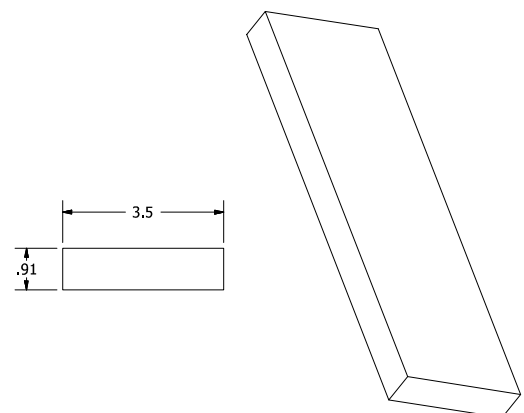
### WEIGHT

Per Piece: 15.17 lbs.  
 Per Bundle: 30.34 lbs.  
 Per Pallet: 1820.4 lbs.

### PACKAGING

Per Bundle: 2  
 Per Pallet: 120

DRAWINGS SHOW ACTUAL DIMENSIONS



**COLOR AVAILABILITY CHART**  
**PRODUCTS: SMART TRIM - 5/4 INCH**

SOLID COLORS	2 INCH	3 INCH	4 INCH
WHITE			
BISCUIT			
SAND			
OYSTER SHELL			
LIGHT GRAY			
CLAY			
PEWTER GREEN			
FRENCH GRAY			
PLATINUM			
TERRA BRONZE			
SEAL			
OLIVE			
PELICAN			
SMOKY ASH			
MOUNTAIN LAKE			
CINNABAR			
COFFEE			
CARIBOU			
MIDNIGHT			
GRAPHITE			
CLOVE			
BEIGE			
ONYX			
BEDROCK			
ELKHORN			
CANYON			
MAHOGANY			
GRIZZLY			
CHESTNUT			

 NOT AVAILABLE	 PAINTED TEXTURE & SMOOTH	 PAINTED TEXTURE
---	--	---

## 5/4 X 6 IN. SMART TRIM

Function: Textured trim board used to accent any substrate

Part Description: 5/4X6X16 ft. Smart Trim

### ACTUAL DIMENSIONS

Exposure: N/A  
 Overlap: N/A  
 Pieces per square: N/A  
 Length: 192 in.  
 Width: 5.5 in.  
 Height: N/A  
 Min. Thickness: 0.91 in.

### CONSTRUCTION

Substrate: Strand  
 LP® SmartSide®  
 Finish: Diamond Kote®  
 Other: N/A

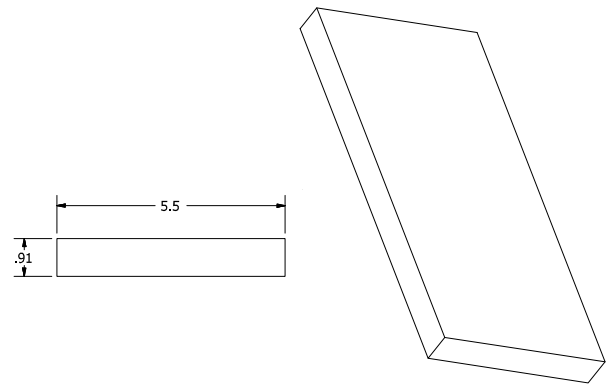
### WEIGHT

Per Piece: 24.43 lbs.  
 Per Bundle: 48.86 lbs.  
 Per Pallet: 1710.1 lbs.

### PACKAGING

Per Bundle: 2  
 Per Pallet: 70

*DRAWINGS SHOW ACTUAL DIMENSIONS*



## 5/4 X 8 IN. SMART TRIM

Function: Textured trim board used to accent any substrate

Part Description: 5/4X8X16 ft. Smart Trim

### ACTUAL DIMENSIONS

Exposure: N/A  
 Overlap: N/A  
 Pieces per square: N/A  
 Length: 192 in.  
 Width: 7.21 in.  
 Height: N/A  
 Min. Thickness: 0.91 in.

### CONSTRUCTION

Substrate: Strand  
 LP® SmartSide®  
 Finish: Diamond Kote®  
 Other: N/A

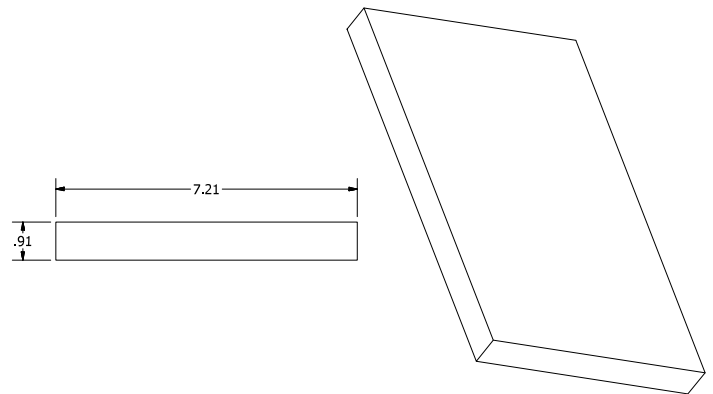
### WEIGHT

Per Piece: 32 lbs.  
 Per Bundle: 64 lbs.  
 Per Pallet: 1920 lbs.

### PACKAGING

Per Bundle: 2  
 Per Pallet: 60

*DRAWINGS SHOW ACTUAL DIMENSIONS*



## 5/4 X 10 IN. SMART TRIM

Function: Textured trim board used to accent any substrate

Part Description: 5/4X10X16 ft. Smart Trim

### ACTUAL DIMENSIONS

Exposure: N/A  
 Overlap: N/A  
 Pieces per square: N/A  
 Length: 192 in.  
 Width: 9.21 in.  
 Height: N/A  
 Min. Thickness: 0.91 in.

### CONSTRUCTION

Substrate: Strand  
 LP® SmartSide®  
 Finish: Diamond Kote®  
 Other: N/A

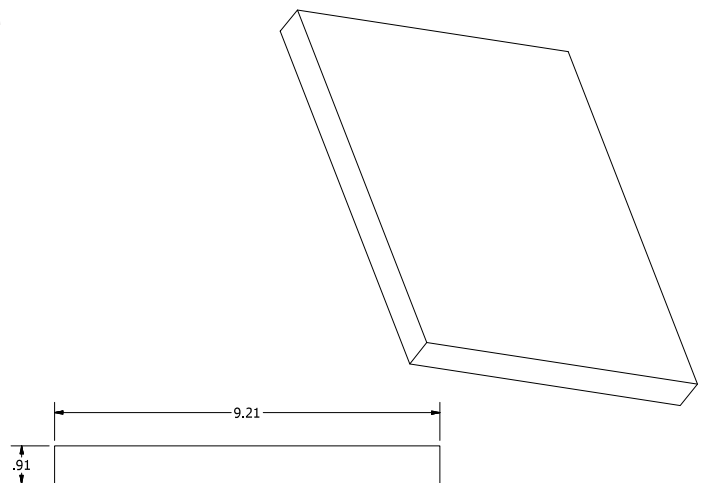
### WEIGHT

Per Piece: 41 lbs.  
 Per Bundle: 82 lbs.  
 Per Pallet: 1640 lbs.

### PACKAGING

Per Bundle: 2  
 Per Pallet: 40

*DRAWINGS SHOW ACTUAL DIMENSIONS*



**COLOR AVAILABILITY CHART**  
**PRODUCTS: SMART TRIM - 5/4 INCH**

SOLID COLORS	6 INCH	8 INCH	10 INCH
WHITE			
BISCUIT			
SAND			
OYSTER SHELL			
LIGHT GRAY			
CLAY			
PEWTER GREEN			
FRENCH GRAY			
PLATINUM			
TERRA BRONZE			
SEAL			
OLIVE			
PELICAN			
SMOKY ASH			
MOUNTAIN LAKE			
CINNABAR			
COFFEE			
CARIBOU			
MIDNIGHT			
GRAPHITE			
CLOVE			
BEIGE			
ONYX			
BEDROCK			
ELKHORN			
CANYON			
MAHOGANY			
GRIZZLY			
CHESTNUT			

 NOT AVAILABLE	 PAINTED TEXTURE & SMOOTH	 PAINTED TEXTURE
---	--	---

## 5/4 X 12 IN. SMART TRIM

Function: Textured trim board used to accent any substrate

Part Description: 5/4X12X16 ft. Smart Trim

### ACTUAL DIMENSIONS

Exposure: N/A  
Overlap: N/A  
Pieces per square: N/A  
Length: 192 in.  
Width: 11.21 in.  
Height: N/A  
Min. Thickness: 0.91 in.

### CONSTRUCTION

Substrate: Strand  
LP® SmartSide®  
Finish: Diamond Kote®  
Other: N/A

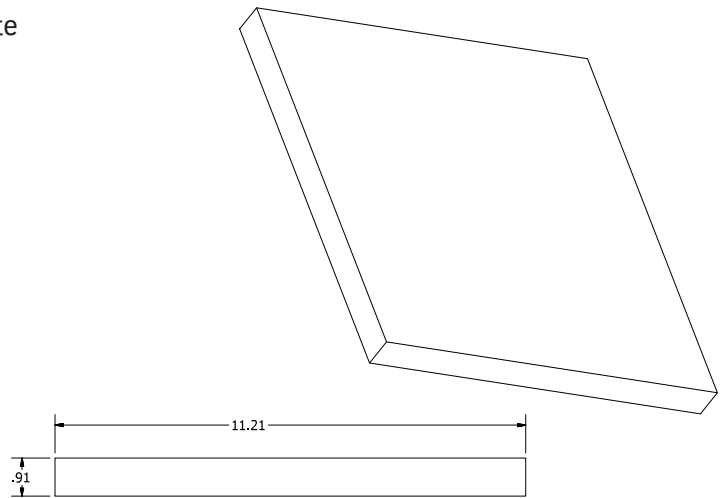
### WEIGHT

Per Piece: 48.75 lbs.  
Per Bundle: 97.5 lbs.  
Per Pallet: 1950 lbs.

### PACKAGING

Per Bundle: 2  
Per Pallet: 40

DRAWINGS SHOW ACTUAL DIMENSIONS



## 4/4 X 2 IN. SMART TRIM

Function: Textured trim board used to accent any substrate

Part Description: 4/4X2X16 ft. Smart Trim

### ACTUAL DIMENSIONS

Exposure: N/A  
Overlap: N/A  
Pieces per square: N/A  
Length: 192 in.  
Width: 1.5 in.  
Height: N/A  
Min. Thickness: 0.625 in.

### CONSTRUCTION

Substrate: Strand  
LP® SmartSide®  
Finish: Diamond Kote®  
Other: N/A

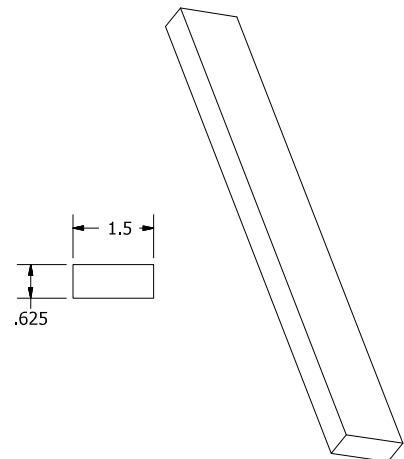
### WEIGHT

Per Piece: 5.67 lbs.  
Per Bundle: 5.67 lbs.  
Per Pallet: 1451.52 lbs.

### PACKAGING

Per Bundle: 4  
Per Pallet: 256

DRAWINGS SHOW ACTUAL DIMENSIONS



## 4/4 X 3 IN. SMART TRIM

Function: Textured trim board used to accent any substrate

Part Description: 4/4X3X16 ft. Smart Trim

### ACTUAL DIMENSIONS

Exposure: N/A  
Overlap: N/A  
Pieces per square: N/A  
Length: 192 in.  
Width: 2.5 in.  
Height: N/A  
Min. Thickness: 0.625 in.

### CONSTRUCTION

Substrate: Strand  
LP® SmartSide®  
Finish: Diamond Kote®  
Other: N/A

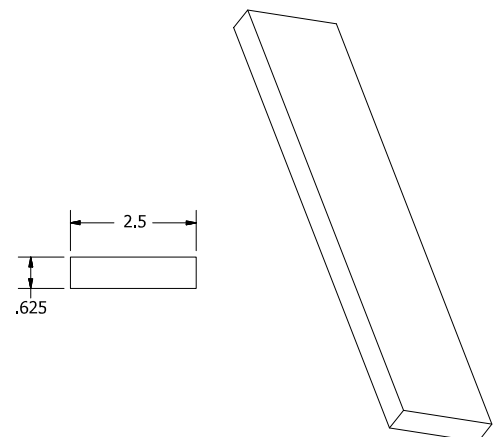
### WEIGHT

Per Piece: 8.63 lbs.  
Per Bundle: 8.63 lbs.  
Per Pallet: 1398.06 lbs.

### PACKAGING

Per Bundle: 4  
Per Pallet: 162

DRAWINGS SHOW ACTUAL DIMENSIONS



## COLOR AVAILABILITY CHART

### PRODUCTS: SMART TRIM - 5/4 INCH & 4/4 INCH

	5/4 INCH	4/4 INCH	
SOLID COLORS	12 INCH	2 INCH	3 INCH
WHITE			
BISCUIT			
SAND			
OYSTER SHELL			
LIGHT GRAY			
CLAY			
PEWTER GREEN			
FRENCH GRAY			
PLATINUM			
TERRA BRONZE			
SEAL			
OLIVE			
PELICAN			
SMOKY ASH			
MOUNTAIN LAKE			
CINNABAR			
COFFEE			
CARIBOU			
MIDNIGHT			
GRAPHITE			
CLOVE			
BEIGE			
ONYX			
BEDROCK			
ELKHORN			
CANYON			
MAHOGANY			
GRIZZLY			
CHESTNUT			

 NOT AVAILABLE	 PAINTED TEXTURE & SMOOTH	 PAINTED TEXTURE
---	--	---



## 4/4 X 4 IN. SMART TRIM

Function: Textured trim board used to accent any substrate

Part Description: 4/4X4X16 ft. Smart Trim

### ACTUAL DIMENSIONS

Exposure: N/A  
 Overlap: N/A  
 Pieces per square: N/A  
 Length: 192 in.  
 Width: 3.5 in.  
 Height: N/A  
 Min. Thickness: 0.625 in.

### CONSTRUCTION

Substrate: Strand  
 LP® SmartSide®  
 Finish: Diamond Kote®  
 Other: N/A

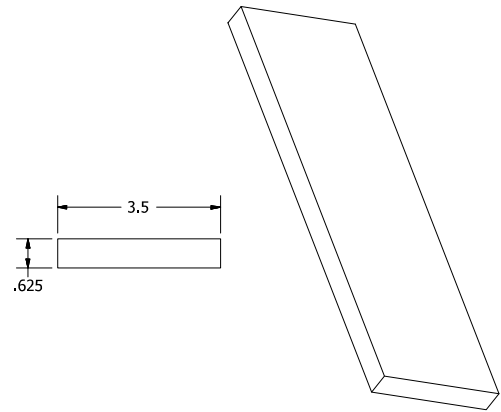
### WEIGHT

Per Piece: 11.19 lbs.  
 Per Bundle: 22.38 lbs.  
 Per Pallet: 1342.8 lbs.

### PACKAGING

Per Bundle: 2  
 Per Pallet: 120

DRAWINGS SHOW ACTUAL DIMENSIONS



## 4/4 X 6 IN. SMART TRIM

Function: Textured trim board used to accent any substrate

Part Description: 4/4X6X16 ft. Smart Trim

### ACTUAL DIMENSIONS

Exposure: N/A  
 Overlap: N/A  
 Pieces per square: N/A  
 Length: 192 in.  
 Width: 5.5 in.  
 Height: N/A  
 Min. Thickness: 0.625 in.

### CONSTRUCTION

Substrate: Strand  
 LP® SmartSide®  
 Finish: Diamond Kote®  
 Other: N/A

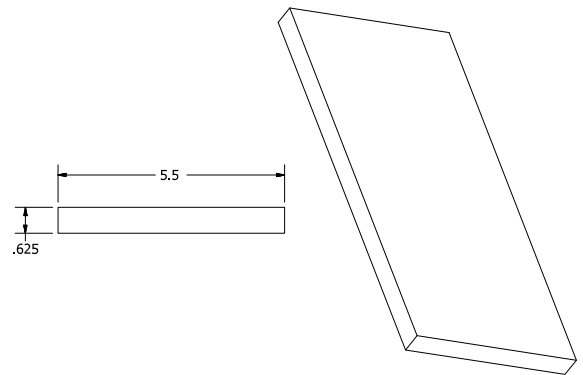
### WEIGHT

Per Piece: 17.14 lbs.  
 Per Bundle: 34.28 lbs.  
 Per Pallet: 1199.8 lbs.

### PACKAGING

Per Bundle: 2  
 Per Pallet: 70

DRAWINGS SHOW ACTUAL DIMENSIONS



## 4/4 X 8 IN. SMART TRIM

Function: Textured trim board used to accent any substrate

Part Description: 4/4X8X16 ft. Smart Trim

### ACTUAL DIMENSIONS

Exposure: N/A  
 Overlap: N/A  
 Pieces per square: N/A  
 Length: 192 in.  
 Width: 7.21 in.  
 Height: N/A  
 Min. Thickness: 0.625 in.

### CONSTRUCTION

Substrate: Strand  
 LP® SmartSide®  
 Finish: Diamond Kote®  
 Other: N/A

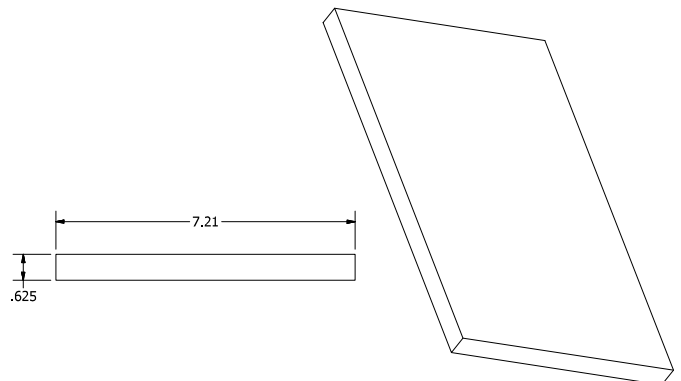
### WEIGHT

Per Piece: 22.33 lbs.  
 Per Bundle: 44.66 lbs.  
 Per Pallet: 1339.8 lbs.

### PACKAGING

Per Bundle: 2  
 Per Pallet: 60

DRAWINGS SHOW ACTUAL DIMENSIONS



**COLOR AVAILABILITY CHART**  
**PRODUCTS: SMART TRIM - 4/4 INCH**

SOLID COLORS	4 INCH	6 INCH	8 INCH
WHITE			
BISCUIT			
SAND			
OYSTER SHELL			
LIGHT GRAY			
CLAY			
PEWTER GREEN			
FRENCH GRAY			
PLATINUM			
TERRA BRONZE			
SEAL			
OLIVE			
PELICAN			
SMOKY ASH			
MOUNTAIN LAKE			
CINNABAR			
COFFEE			
CARIBOU			
MIDNIGHT			
GRAPHITE			
CLOVE			
BEIGE			
ONYX			
BEDROCK			
ELKHORN			
CANYON			
MAHOGANY			
GRIZZLY			
CHESTNUT			

 NOT AVAILABLE	 PAINTED TEXTURE & SMOOTH	 PAINTED TEXTURE
---	--	---

## 4/4 X 10 IN. SMART TRIM

Function: Textured trim board used to accent any substrate

Part Description: 4/4X10X16 ft. Smart Trim

### ACTUAL DIMENSIONS

Exposure: N/A  
Overlap: N/A  
Pieces per square: N/A  
Length: 192 in.  
Width: 9.21 in.  
Height: N/A  
Min. Thickness: 0.625 in.

### CONSTRUCTION

Substrate: Strand  
LP® SmartSide®  
Finish: Diamond Kote®  
Other: N/A

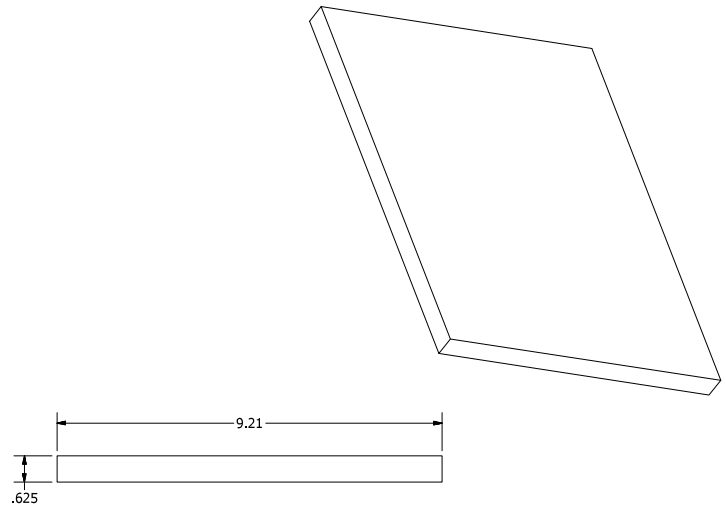
### WEIGHT

Per Piece: 29 lbs.  
Per Bundle: 58 lbs.  
Per Pallet: 1160 lbs.

### PACKAGING

Per Bundle: 2  
Per Pallet: 40

*DRAWINGS SHOW ACTUAL DIMENSIONS*



## 4/4 X 12 IN. SMART TRIM

Function: Textured trim board used to accent any substrate

Part Description: 4/4X12X16 ft. Smart Trim

### ACTUAL DIMENSIONS

Exposure: N/A  
Overlap: N/A  
Pieces per square: N/A  
Length: 192 in.  
Width: 11.21 in.  
Height: N/A  
Min. Thickness: 0.625 in.

### CONSTRUCTION

Substrate: Strand  
LP® SmartSide®  
Finish: Diamond Kote®  
Other: N/A

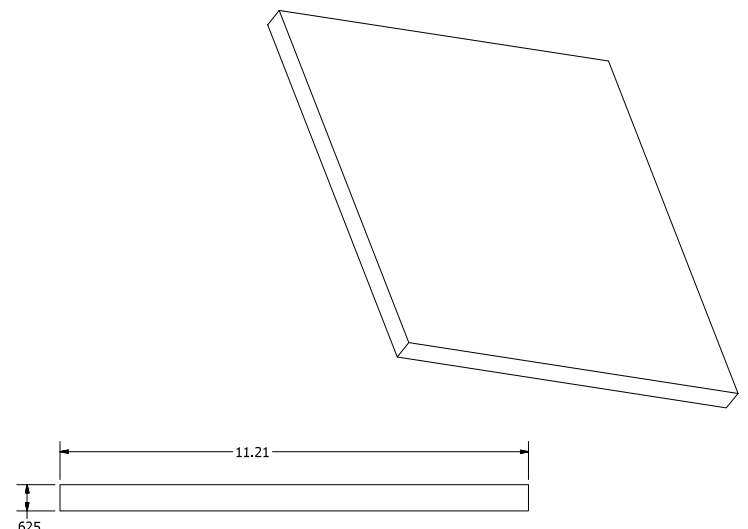
### WEIGHT

Per Piece: 34.5 lbs.  
Per Bundle: 69 lbs.  
Per Pallet: 1380 lbs.

### PACKAGING

Per Bundle: 2  
Per Pallet: 40

*DRAWINGS SHOW ACTUAL DIMENSIONS*



**COLOR AVAILABILITY CHART**  
**PRODUCTS: SMART TRIM - 4/4 INCH**

SOLID COLORS	10 INCH	12 INCH
WHITE		
BISCUIT		
SAND		
OYSTER SHELL		
LIGHT GRAY		
CLAY		
PEWTER GREEN		
FRENCH GRAY		
PLATINUM		
TERRA BRONZE		
SEAL		
OLIVE		
PELICAN		
SMOKY ASH		
MOUNTAIN LAKE		
CINNABAR		
COFFEE		
CARIBOU		
MIDNIGHT		
GRAPHITE		
CLOVE		
BEIGE		
ONYX		
BEDROCK		
ELKHORN		
CANYON		
MAHOGANY		
GRIZZLY		
CHESTNUT		

 NOT AVAILABLE	 PAINTED TEXTURE & SMOOTH	 PAINTED TEXTURE
---	--	---

## 4 IN. ARCH TRIM

Function: Premade trim for arched, elliptical or circular windows, doors or other openings

Part Description: 4 in. Arch Trim

### ACTUAL DIMENSIONS

Exposure: N/A  
Overlap: N/A  
Pieces per square: N/A  
Length: Variable  
Width: 3.5 in.  
Height: Variable  
Min. Thickness: 0.91 in.

### CONSTRUCTION

Substrate: Strand  
LP® SmartSide®  
Finish: Diamond Kote®  
Other: N/A

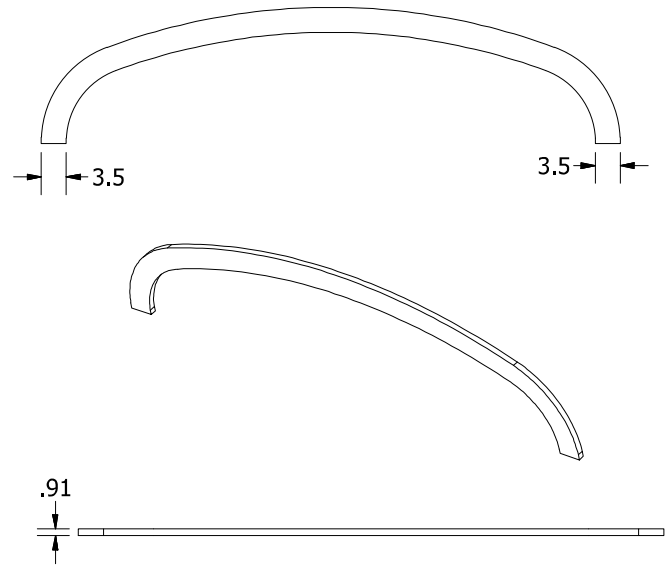
### WEIGHT

Per Piece: Variable  
0.95 Lbs / Lineal Foot  
Per Bundle: N/A  
Per Pallet: N/A

### PACKAGING

Per Bundle: 1 Each  
Per Carton: N/A

*DRAWINGS SHOW ACTUAL DIMENSIONS*



## 6 IN. ARCH TRIM

Function: Premade trim for arched, elliptical or circular windows, doors or other openings

Part Description: 6 in. Arch Trim

### ACTUAL DIMENSIONS

Exposure: N/A  
Overlap: N/A  
Pieces per square: N/A  
Length: Variable  
Width: 5.5 in.  
Height: Variable  
Min. Thickness: 0.91 in.

### CONSTRUCTION

Substrate: Strand  
LP® SmartSide®  
Finish: Diamond Kote®  
Other: N/A

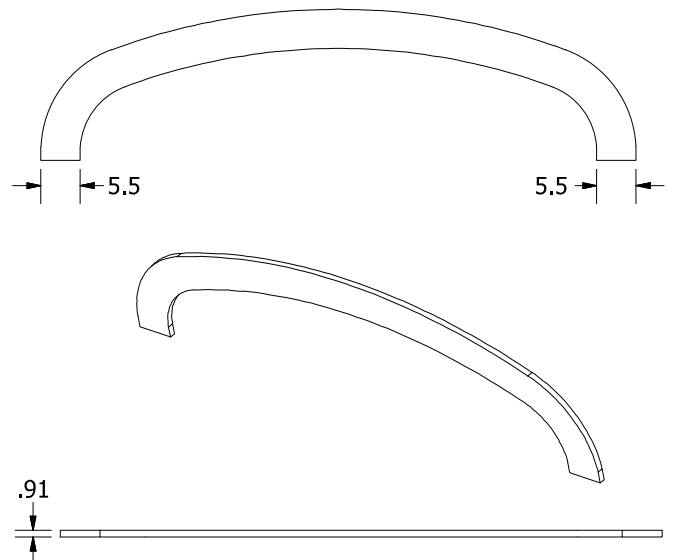
### WEIGHT

Per Piece: Variable  
1.52 Lbs / Lineal Foot  
Per Bundle: N/A  
Per Pallet: N/A

### PACKAGING

Per Bundle: 1 Each  
Per Carton: N/A

*DRAWINGS SHOW ACTUAL DIMENSIONS*



**COLOR AVAILABILITY CHART**  
**PRODUCTS: ARCH TRIM**

SOLID COLORS	4 INCH	6 INCH
WHITE		
BISCUIT		
SAND		
OYSTER SHELL		
LIGHT GRAY		
CLAY		
PEWTER GREEN		
FRENCH GRAY		
PLATINUM		
TERRA BRONZE		
SEAL		
OLIVE		
PELICAN		
SMOKY ASH		
MOUNTAIN LAKE		
CINNABAR		
COFFEE		
CARIBOU		
MIDNIGHT		
GRAPHITE		
CLOVE		
BEIGE		
ONYX		
BEDROCK		
ELKHORN		
CANYON		
MAHOGANY		
GRIZZLY		
CHESTNUT		

 NOT AVAILABLE	 PAINTED TEXTURE & SMOOTH	 PAINTED TEXTURE
---	--	---

## 4 IN. KEYSTONE

Function: Accent piece used with lineal trim on arched, circular windows, doors or other straight trim openings

Part Description: 4 in. Keystone

### ACTUAL DIMENSIONS

Exposure: N/A  
 Overlap: N/A  
 Pieces per square: N/A  
 Length: N/A  
 Width: 5.5 in.  
 Height: 4.5 in.  
 Min. Thickness: 0.91 in.

### CONSTRUCTION

Substrate: Strand  
 LP® SmartSide®  
 Finish: Diamond Kote®  
 Other: N/A

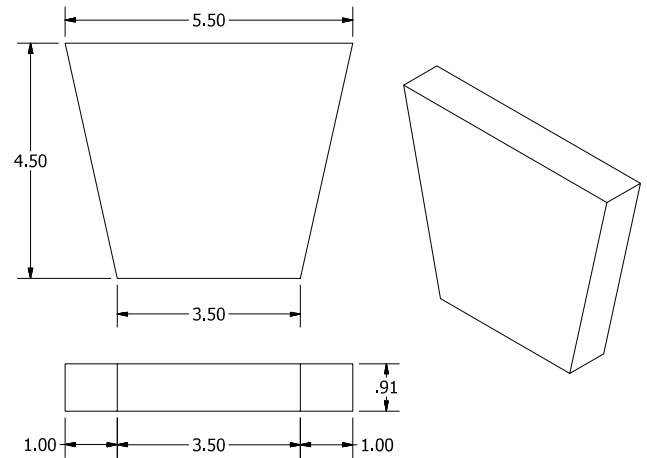
### WEIGHT

Per Piece: 0.2 lbs.  
 Per Bundle: 0.2 lbs.  
 Per Pallet: N/A lbs.

### PACKAGING

Per Bundle: 1 Each  
 Per Carton: N/A

### DRAWINGS SHOW ACTUAL DIMENSIONS



## 6 IN. KEYSTONE

Function: Accent piece used with lineal trim on arched, circular windows, doors or other straight trim openings

Part Description: 6 in. Keystone

### ACTUAL DIMENSIONS

Exposure: N/A  
 Overlap: N/A  
 Pieces per square: N/A  
 Length: N/A  
 Width: 7.5 in.  
 Height: 6.5 in.  
 Min. Thickness: 0.91 in.

### CONSTRUCTION

Substrate: Strand  
 LP® SmartSide®  
 Finish: Diamond Kote®  
 Other: N/A

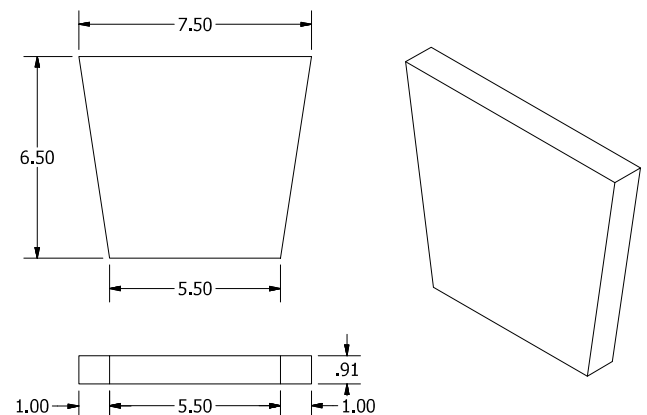
### WEIGHT

Per Piece: 1 lbs.  
 Per Bundle: 1 lbs.  
 Per Pallet: N/A

### PACKAGING

Per Bundle: 1 Each  
 Per Carton: N/A

### DRAWINGS SHOW ACTUAL DIMENSIONS



**COLOR AVAILABILITY CHART**  
**PRODUCTS: KEYSTONE**

SOLID COLORS	4 INCH	6 INCH
WHITE		
BISCUIT		
SAND		
OYSTER SHELL		
LIGHT GRAY		
CLAY		
PEWTER GREEN		
FRENCH GRAY		
PLATINUM		
TERRA BRONZE		
SEAL		
OLIVE		
PELICAN		
SMOKY ASH		
MOUNTAIN LAKE		
CINNABAR		
COFFEE		
CARIBOU		
MIDNIGHT		
GRAPHITE		
CLOVE		
BEIGE		
ONYX		
BEDROCK		
ELKHORN		
CANYON		
MAHOGANY		
GRIZZLY		
CHESTNUT		

 NOT AVAILABLE	 PAINTED TEXTURE & SMOOTH	 PAINTED TEXTURE
---	--	---



## 4X4 PRO-POST WRAP™

DRAWINGS SHOW ACTUAL DIMENSIONS

Function: Decorative wrap for use on porches and decks around structural and non-structural items

Part Description: Pro-Post Wrap 4X4 12 ft. LP Ced 4Pc+Glue Kit

### ACTUAL DIMENSIONS

Exposure: N/A  
 Overlap: N/A  
 Pieces per square: N/A  
 Length: 144 in.  
 Width: 5.075 in.  
 Height: 5.075 in.  
 Min. Thickness: 0.53 in.

### CONSTRUCTION

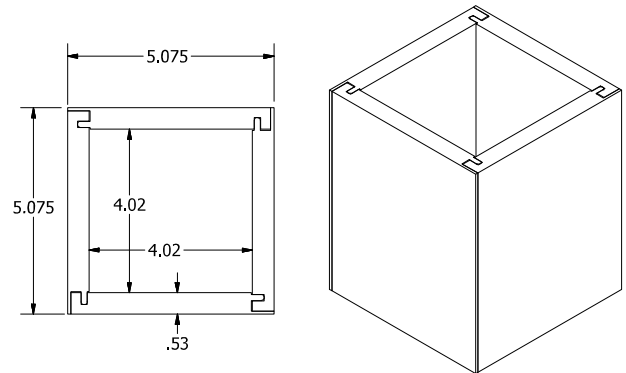
Substrate: Strand  
 LP® SmartSide®  
 Finish: Diamond Kote®  
 Other: Glue Kit Included

### WEIGHT

Per Piece: N/A  
 Per Bundle: 35 lbs.  
 Per Pallet: 1050 lbs.

### PACKAGING

Per Bundle: 1  
 Per Pallet: 30



## 4X6 PRO-POST WRAP™

DRAWINGS SHOW ACTUAL DIMENSIONS

Function: Decorative wrap for use on porches and decks around structural and non-structural items

Part Description: Pro-Post Wrap 4X6 12 ft. LP Ced 4Pc+Glue Kit

### ACTUAL DIMENSIONS

Exposure: N/A  
 Overlap: N/A  
 Pieces per square: N/A  
 Length: 144 in.  
 Width: 7.075 in.  
 Height: 5.075 in.  
 Min. Thickness: 0.53 in.

### CONSTRUCTION

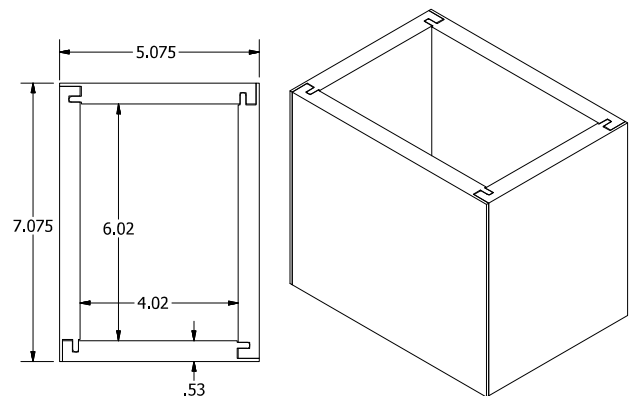
Substrate: Strand  
 LP® SmartSide®  
 Finish: Diamond Kote®  
 Other: Glue Kit Included

### WEIGHT

Per Piece: N/A  
 Per Bundle: 42  
 Per Pallet: 1134

### PACKAGING

Per Bundle: 1  
 Per Pallet: N/A



## 6X6 PRO-POST WRAP™

DRAWINGS SHOW ACTUAL DIMENSIONS

Function: Decorative wrap for use on porches and decks around structural and non-structural items

Part Description: Pro-Post Wrap 6X6 12 ft. LP Ced 4Pc+Glue Kit

### ACTUAL DIMENSIONS

Exposure: N/A  
 Overlap: N/A  
 Pieces per square: N/A  
 Length: 144 in.  
 Width: 7.075 in.  
 Height: 7.075 in.  
 Min. Thickness: 0.53 in.

### CONSTRUCTION

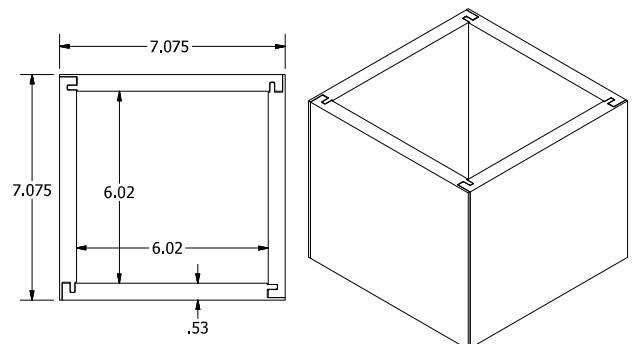
Substrate: Strand  
 LP® SmartSide®  
 Finish: Diamond Kote®  
 Other: Glue Kit Included

### WEIGHT

Per Piece: N/A  
 Per Bundle: 49 lbs.  
 Per Pallet: 1176 lbs.

### PACKAGING

Per Bundle: 1  
 Per Pallet: 24



**COLOR AVAILABILITY CHART**  
**PRODUCTS: PRO-POST WRAP™**

SOLID COLORS	4X4	4X6	6X6
WHITE			
BISCUIT			
SAND			
OYSTER SHELL			
LIGHT GRAY			
CLAY			
PEWTER GREEN			
FRENCH GRAY			
PLATINUM			
TERRA BRONZE			
SEAL			
OLIVE			
PELICAN			
SMOKY ASH			
MOUNTAIN LAKE			
CINNABAR			
COFFEE			
CARIBOU			
MIDNIGHT			
GRAPHITE			
CLOVE			
BEIGE			
ONYX			
BEDROCK			
ELKHORN			
CANYON			
MAHOGANY			
GRIZZLY			
CHESTNUT			

 NOT AVAILABLE	 PAINTED TEXTURE & SMOOTH	 PAINTED TEXTURE
---	--	---

## 6 IN. PLOWED FASCIA

Function: Textured fascia to complete soffit system, covers 4" sub-fascia

Part Description: Fascia 6 in. Plow 4/4 Smart Ced

### ACTUAL DIMENSIONS

Exposure: N/A  
Overlap: N/A  
Pieces per square: N/A  
Length: 192 in.  
Width: 5.5 in.  
Height: N/A  
Min. Thickness: 0.625 in.

### CONSTRUCTION

Substrate: Strand  
LP® SmartSide®  
Finish: Diamond Kote®  
Other: N/A

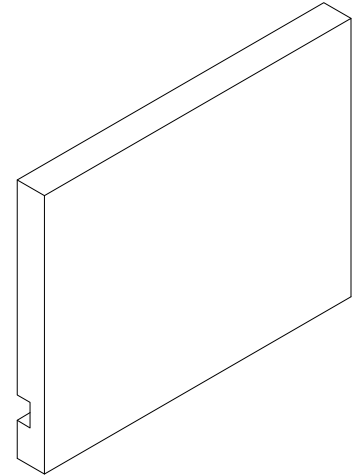
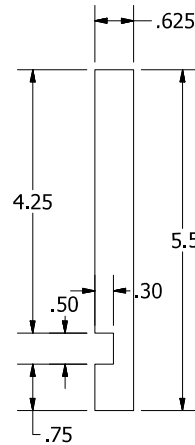
### WEIGHT

Per Piece: 16.66  
Per Bundle: 33.32  
Per Pallet: 1166

### PACKAGING

Per Bundle: 2  
Per Pallet: 70

*DRAWINGS SHOW ACTUAL DIMENSIONS*



## 8 IN. PLOWED FASCIA

Function: Textured fascia to complete soffit system, covers 6" sub-fascia

Part Description: Fascia 8 in. Plow 4/4 Smart Ced

### ACTUAL DIMENSIONS

Exposure: N/A  
Overlap: N/A  
Pieces per square: N/A  
Length: 192 in.  
Width: 7.21 in.  
Height: N/A  
Min. Thickness: 0.625 in.

### CONSTRUCTION

Substrate: Strand  
LP® SmartSide®  
Finish: Diamond Kote®  
Other: N/A

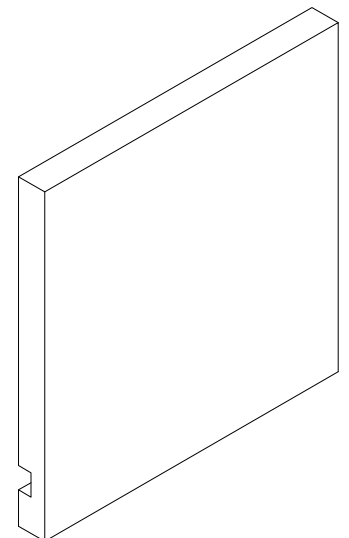
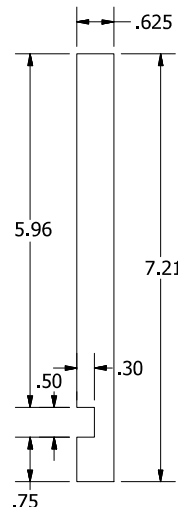
### WEIGHT

Per Piece: 22 lbs.  
Per Bundle: 44 lbs.  
Per Pallet: 1320 lbs.

### PACKAGING

Per Bundle: 2  
Per Pallet: 60

*DRAWINGS SHOW ACTUAL DIMENSIONS*



**COLOR AVAILABILITY CHART**  
**PRODUCTS: PLOWED FASCIA**

SOLID COLORS	6 INCH	8 INCH
WHITE		
BISCUIT		
SAND		
OYSTER SHELL		
LIGHT GRAY		
CLAY		
PEWTER GREEN		
FRENCH GRAY		
PLATINUM		
TERRA BRONZE		
SEAL		
OLIVE		
PELICAN		
SMOKY ASH		
MOUNTAIN LAKE		
CINNABAR		
COFFEE		
CARIBOU		
MIDNIGHT		
GRAPHITE		
CLOVE		
BEIGE		
ONYX		
BEDROCK		
ELKHORN		
CANYON		
MAHOGANY		
GRIZZLY		
CHESTNUT		

 NOT AVAILABLE	 PAINTED TEXTURE & SMOOTH	 PAINTED TEXTURE
---	--	---

## 4X8 NO GROOVE SOFFIT

Function: Textured soffit panels for porches and large overhangs

Part Description: 4X8 3/8 in. Smart Soffit Ced No Groove

### ACTUAL DIMENSIONS

Exposure: 47.875 in.  
Overlap: N/A  
Pieces per square: 3.125 in.  
Length: 96 in.  
Width: 47.875 in.  
Height: N/A  
Min. Thickness: 0.315 in.

### CONSTRUCTION

Substrate: Strand  
LP® SmartSide®  
Finish: Diamond Kote®  
Other: N/A

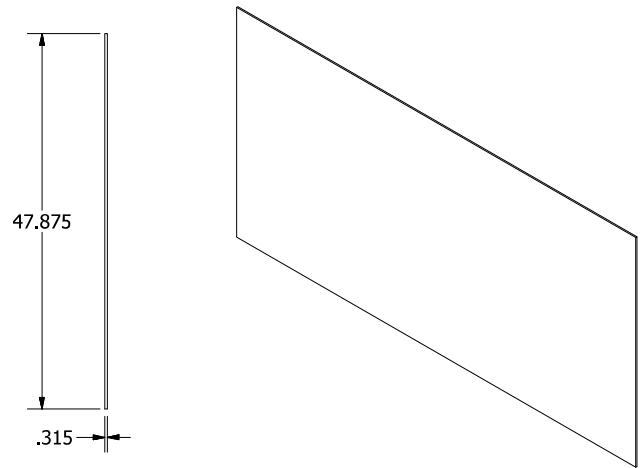
### WEIGHT

Per Piece: 41.78 lbs.  
Per Bundle: N/A  
Per Pallet: 1880.1lbs.

### PACKAGING

Per Bundle: 1 Each  
Per Pallet: 45

DRAWINGS SHOW ACTUAL DIMENSIONS



## 10 FT SOFFIT CHANNEL

Function: Channel provides cover and concealment of the required expansion gap on LP® SmartSide® Soffit

Part Description: 1-1/2 in x 10 ft. WG Soffit Channel

### ACTUAL DIMENSIONS

Exposure: 120 in.  
Overlap: N/A  
Pieces per square: N/A  
Length: 120 in.  
Width: 1.5 in.  
Height: N/A  
Min. Thickness: 0.019 in.

### CONSTRUCTION

Substrate: Aluminium  
Finish: Coordinating Color  
Matches  
Other: N/A

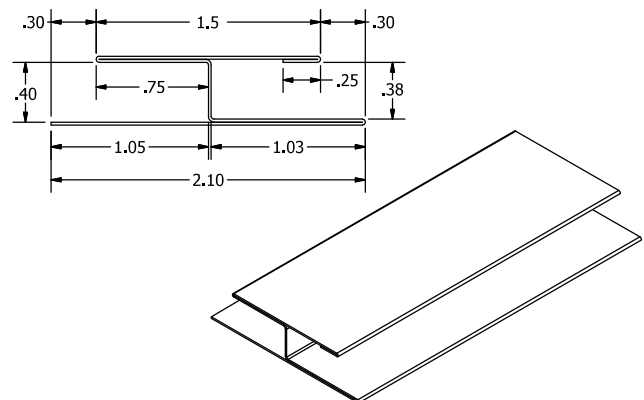
### WEIGHT

Per Piece: 1.3 lbs.  
Per Carton: 13 lbs.  
Per Pallet: 820 lbs.

### PACKAGING

Per Carton: 10 pcs  
Per Pallet: 630 pcs

DRAWINGS SHOW ACTUAL DIMENSIONS



**COLOR AVAILABILITY CHART**

**PRODUCTS: NO GROOVE SOFFIT & 10 FT SOFFIT CHANNEL**

	NO GROOVE SOFFIT	SOFFIT CHANNEL
SOLID COLORS	4X8	10 FT
WHITE		
BISCUIT		
SAND		
OYSTER SHELL		
LIGHT GRAY		
CLAY		
PEWTER GREEN		
FRENCH GRAY		
PLATINUM		
TERRA BRONZE		
SEAL		
OLIVE		
PELICAN		
SMOKY ASH		
MOUNTAIN LAKE		
CINNABAR		
COFFEE		
CARIBOU		
MIDNIGHT		
GRAPHITE		
CLOVE		
BEIGE		
ONYX		
BEDROCK		
ELKHORN		
CANYON		
MAHOGANY		
GRIZZLY		
CHESTNUT		

 NOT AVAILABLE	 PAINTED TEXTURE	 COORDINATING COLOR
---	---	--

## 12 IN. SOFFIT VENTED

Function: Soffit panel when venting is required

Part Description: 12X16 ft. 3/8 in. Smart Vented Soffit

### ACTUAL DIMENSIONS

Exposure: N/A  
 Overlap: N/A  
 Pieces per square: N/A  
 Ventilation: 10 Net Free Air,  
 10 sq. In. / Lin. Ft.  
 Length: 192 in.  
 Width: 11.94 in.  
 Height: N/A  
 Min. Thickness: 0.315 in.

### CONSTRUCTION

Substrate: Strand  
 LP® SmartSide®  
 Finish: Diamond Kote®  
 Other: N/A

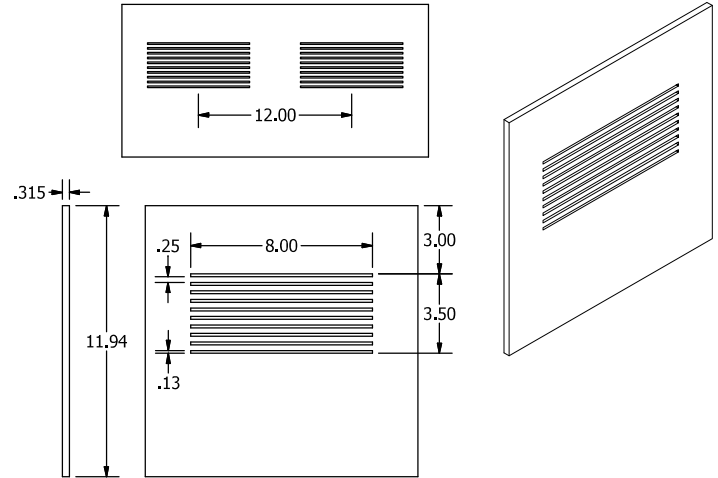
### WEIGHT

Per Piece: 22.05 lbs.  
 Per Bundle: N/A  
 Per Pallet: 1940.4 lbs.

### PACKAGING

Per Bundle: 1 Each  
 Per Pallet: 88

DRAWINGS SHOW ACTUAL DIMENSIONS



## 16 IN. SOFFIT VENTED

Function: Soffit panel when venting is required

Part Description: 16X16 ft. 3/8 in. Smart Vented Soffit

### ACTUAL DIMENSIONS

Exposure: N/A  
 Overlap: N/A  
 Pieces per square: N/A  
 Ventilation: 10 Net Free Air,  
 10 sq. In. / Lin. Ft.  
 Length: 192 in.  
 Width: 15.94 in.  
 Height: N/A  
 Min. Thickness: 0.315 in.

### CONSTRUCTION

Substrate: Strand  
 LP® SmartSide®  
 Finish: Diamond Kote®  
 Other: N/A

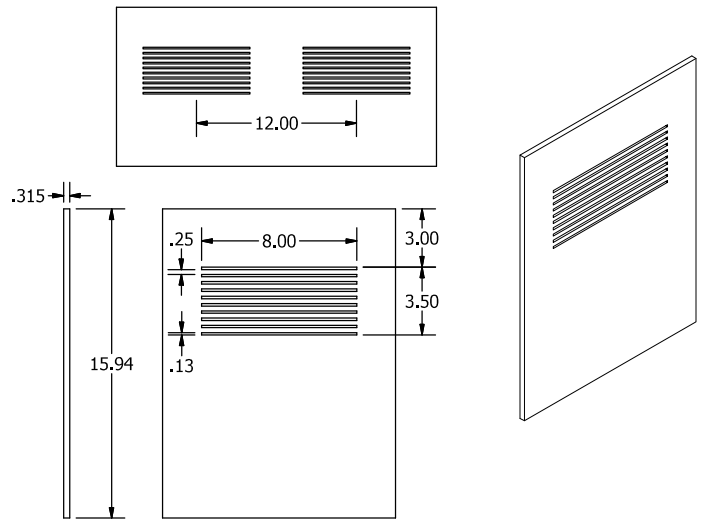
### WEIGHT

Per Piece: 29.4 lbs.  
 Per Bundle: N/A  
 Per Pallet: 1940.4 lbs.

### PACKAGING

Per Bundle: 1 Each  
 Per Pallet: 66

DRAWINGS SHOW ACTUAL DIMENSIONS



## 24 IN. SOFFIT VENTED

Function: Soffit panel when venting is required

Part Description: 24X16 ft. 3/8 in. Smart Vented Soffit

### ACTUAL DIMENSIONS

Exposure: N/A  
 Overlap: N/A  
 Pieces per square: N/A  
 Ventilation: 10 Net Free Air,  
 10 sq. In. / Lin. Ft.  
 Length: 192 in.  
 Width: 23.94 in.  
 Height: N/A  
 Min. Thickness: 0.315 in.

### CONSTRUCTION

Substrate: Strand  
 LP® SmartSide®  
 Finish: Diamond Kote®  
 Other: N/A

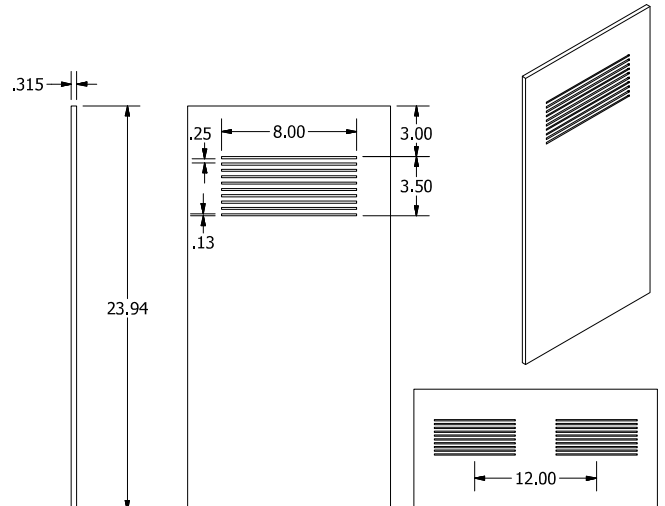
### WEIGHT

Per Piece: 42.73 lbs.  
 Per Bundle: N/A  
 Per Pallet: 1880.12 lbs.

### PACKAGING

Per Bundle: 1 Each  
 Per Pallet: 44

DRAWINGS SHOW ACTUAL DIMENSIONS



**COLOR AVAILABILITY CHART**  
**PRODUCTS: SOFFIT - VENTED**

SOLID COLORS	12 INCH	16 INCH	24 INCH
WHITE			
BISCUIT			
SAND			
OYSTER SHELL			
LIGHT GRAY			
CLAY			
PEWTER GREEN			
FRENCH GRAY			
PLATINUM			
TERRA BRONZE			
SEAL			
OLIVE			
PELICAN			
SMOKY ASH			
MOUNTAIN LAKE			
CINNABAR			
COFFEE			
CARIBOU			
MIDNIGHT			
GRAPHITE			
CLOVE			
BEIGE			
ONYX			
BEDROCK			
ELKHORN			
CANYON			
MAHOGANY			
GRIZZLY			
CHESTNUT			

 NOT AVAILABLE	 PAINTED TEXTURE & SMOOTH	 PAINTED TEXTURE
---	--	---



## 12 IN. SOFFIT SOLID

Function: Soffit panel when venting is not necessary

Part Description: 12X16 ft. 3/8 in. Smart Cedar Solid Soffit

### ACTUAL DIMENSIONS

Exposure: N/A  
 Overlap: N/A  
 Pieces per square: N/A  
 Length: 192 in.  
 Width: 11.94 in.  
 Height: N/A  
 Min. Thickness: 0.315 in.

### CONSTRUCTION

Substrate: Strand  
 LP® SmartSide®  
 Finish: Diamond Kote®  
 Other: N/A

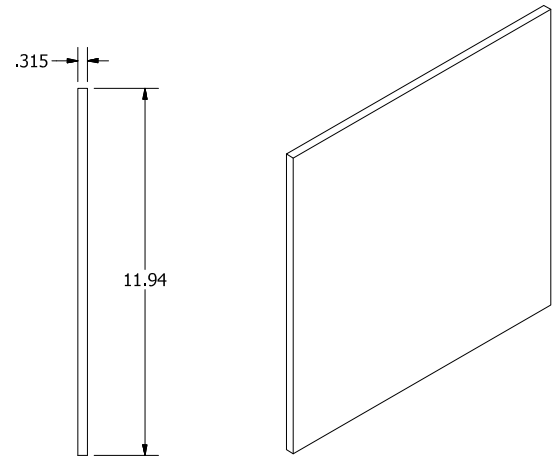
### WEIGHT

Per Piece: 23.38 lbs.  
 Per Bundle: N/A  
 Per Pallet: 2057.44 lbs.

### PACKAGING

Per Bundle: 1 Each  
 Per Pallet: 88

*DRAWINGS SHOW ACTUAL DIMENSIONS*



## 16 IN. SOFFIT SOLID

Function: Soffit panel when venting is not necessary

Part Description: 16X16 ft. 3/8 in. Smart Cedar Solid Soffit

### ACTUAL DIMENSIONS

Exposure: N/A  
 Overlap: N/A  
 Pieces per square: N/A  
 Length: 192 in.  
 Width: 15.94 in.  
 Height: N/A  
 Min. Thickness: 0.315 in.

### CONSTRUCTION

Substrate: Strand  
 LP® SmartSide®  
 Finish: Diamond Kote®  
 Other: N/A

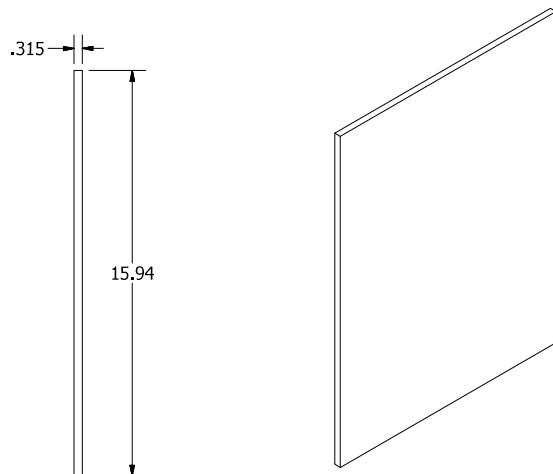
### WEIGHT

Per Piece: 30.15 lbs.  
 Per Bundle: N/A  
 Per Pallet: 1989.9 lbs.

### PACKAGING

Per Bundle: 1 Each  
 Per Pallet: 66

*DRAWINGS SHOW ACTUAL DIMENSIONS*



## 24 IN. SOFFIT SOLID

Function: Soffit panel when venting is not necessary

Part Description: 24X16 ft. 3/8 in. Smart Cedar Solid Soffit

### ACTUAL DIMENSIONS

Exposure: N/A  
 Overlap: N/A  
 Pieces per square: N/A  
 Length: 192 in.  
 Width: 23.94 in.  
 Height: N/A  
 Min. Thickness: 0.315 in.

### CONSTRUCTION

Substrate: Strand  
 LP® SmartSide®  
 Finish: Diamond Kote®  
 Other: N/A

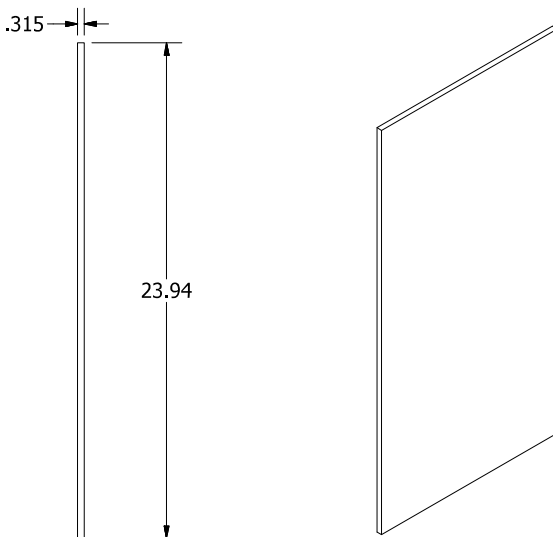
### WEIGHT

Per Piece: 46.18 lbs.  
 Per Bundle: N/A  
 Per Pallet: 2031.92 lbs.

### PACKAGING

Per Bundle: 1 Each  
 Per Pallet: 44

*DRAWINGS SHOW ACTUAL DIMENSIONS*



**COLOR AVAILABILITY CHART**  
**PRODUCTS: SOFFIT - SOLID**

SOLID COLORS	12 INCH	16 INCH	24 INCH
WHITE			
BISCUIT			
SAND			
OYSTER SHELL			
LIGHT GRAY			
CLAY			
PEWTER GREEN			
FRENCH GRAY			
PLATINUM			
TERRA BRONZE			
SEAL			
OLIVE			
PELICAN			
SMOKY ASH			
MOUNTAIN LAKE			
CINNABAR			
COFFEE			
CARIBOU			
MIDNIGHT			
GRAPHITE			
CLOVE			
BEIGE			
ONYX			
BEDROCK			
ELKHORN			
CANYON			
MAHOGANY			
GRIZZLY			
CHESTNUT			

 NOT AVAILABLE	 PAINTED TEXTURE & SMOOTH	 PAINTED TEXTURE
---	--	---

## DIVERTER FLASHING

DRAWINGS SHOW ACTUAL DIMENSIONS

Function: Diverts roof water runoff away from siding to roof intersections

Part Description: Dryfлект Diverter Flash Poly 6X6X14.5

### ACTUAL DIMENSIONS

Exposure: N/A  
 Overlap: N/A  
 Pieces per square: N/A  
 Length: 14.5 in.  
 Width: 6 in.  
 Height: 6 in.  
 Min. Thickness: 0.125

### CONSTRUCTION

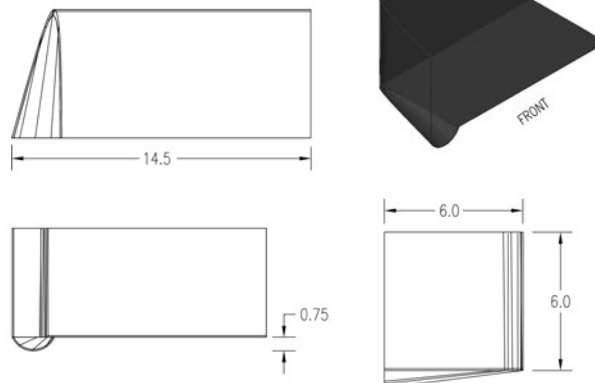
Substrate: Thermoplastic Polyolefin (TPO)  
 Finish: Through Molded Color

### WEIGHT

Per Piece: 0.56 lbs.  
 Per Carton: 14 lbs.  
 Per Pallet: N/A

### PACKAGING

Per Bundle: 1 Each  
 Per Carton: 25



## DRIP CAP

DRAWINGS SHOW ACTUAL DIMENSIONS

Function: Protects top edge of horizontal trims against water penetration

Part Description: 1 in.X10/0 Drip Cap Sm Alum

### ACTUAL DIMENSIONS

Exposure: 0.31 in.  
 Overlap: N/A  
 Pieces per square: N/A  
 Length: 120 in.  
 Width: 1.00 in.  
 Height: 1.84 in.  
 Min. Thickness: 0.019 in.

### CONSTRUCTION

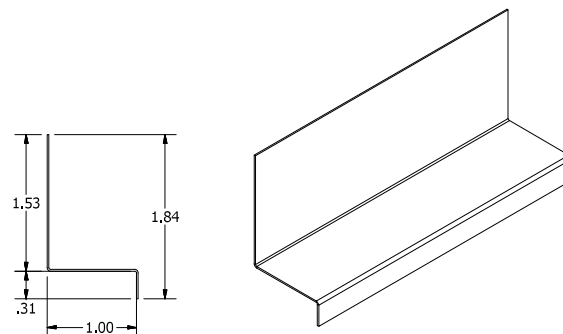
Substrate: Aluminium  
 Finish: Coordinating color matches

### WEIGHT

Per Piece: 0.70 lbs.  
 Per Carton: 17.5 lbs.  
 Per Pallet: 735 lbs.

### PACKAGING

Per Carton: 25  
 Per Pallet: 1050



## SPACER FLASHING

DRAWINGS SHOW ACTUAL DIMENSIONS

Function: Spacer used to keep siding and trim products the required distance away from roof lines or decking

Part Description: 1 in.x2 in. 10 ft. Spacer Flash

### ACTUAL DIMENSIONS

Exposure: 2 in.  
 Overlap: N/A  
 Pieces per square: N/A  
 Length: 120 in.  
 Width: 1 in.  
 Height: 4 in.  
 Min. Thickness: 0.019 in.

### CONSTRUCTION

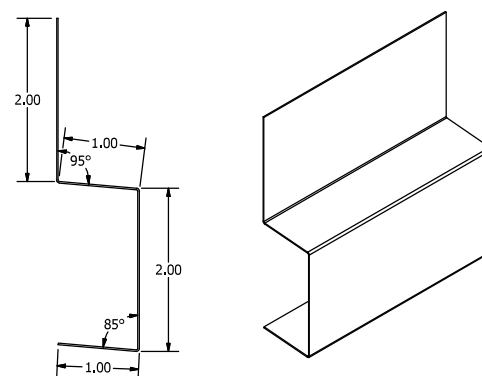
Substrate: Woodgrain Embossed Aluminium  
 Finish: Coordinating color matches

### WEIGHT

Per Piece: 1.10 lbs.  
 Per Carton: 11 lbs.  
 Per Pallet: N/A

### PACKAGING

Per Carton: 10  
 Per Pallet: N/A



## COLOR AVAILABILITY CHART

### PRODUCTS: FLASHINGS

SOLID COLORS	DIVERTER	DRIP CAP	SPACER
WHITE			
BISCUIT			
SAND			
OYSTER SHELL			
LIGHT GRAY			
CLAY			
PEWTER GREEN			
FRENCH GRAY			
PLATINUM			
TERRA BRONZE			
SEAL			
OLIVE			
PELICAN			
SMOKY ASH			
MOUNTAIN LAKE			
CINNABAR			
COFFEE			
CARIBOU			
MIDNIGHT			
GRAPHITE			
CLOVE			
BEIGE			
ONYX			
BEDROCK			
ELKHORN			
CANYON			
MAHOGANY			
GRIZZLY			
CHESTNUT			



NOT AVAILABLE



COLOR MATCH



COORDINATING COLOR

## BRICK LEDGE FLASHING

Function: Flashing used above stone or brick sills when transitioning to a different cladding

Part Description: 2 in.x10 ft. Brick Ledge Flash

### ACTUAL DIMENSIONS

Exposure: 2.38 in.  
Overlap: N/A  
Pieces per square: N/A  
Length: 120 in.  
Width: N/A  
Height: 2.12 in.  
Min. Thickness: 0.019 in.

### CONSTRUCTION

Substrate: Aluminium  
Finish: Coordinating color matches

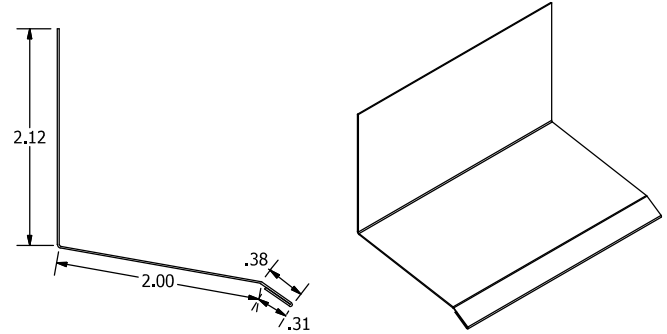
### WEIGHT

Per Piece: 1.10 lbs.  
Per Carton: 11 lbs.  
Per Pallet: N/A

### PACKAGING

Per Carton: 10  
Per Pallet: N/A

*DRAWINGS SHOW ACTUAL DIMENSIONS*



## Z-FLASH

Function: Protects top edge of horizontal panel joints against water penetration

Part Description: 7/16 in. X 10/0 Z Flash Sm Alum

### ACTUAL DIMENSIONS

Exposure: 0.31 in.  
Overlap: N/A  
Pieces per square: N/A  
Length: 120 in.  
Width: 0.44 in.  
Height: 2.41 in.  
Min. Thickness: 0.019 in.

### CONSTRUCTION

Substrate: Aluminium  
Finish: Coordinating color matches

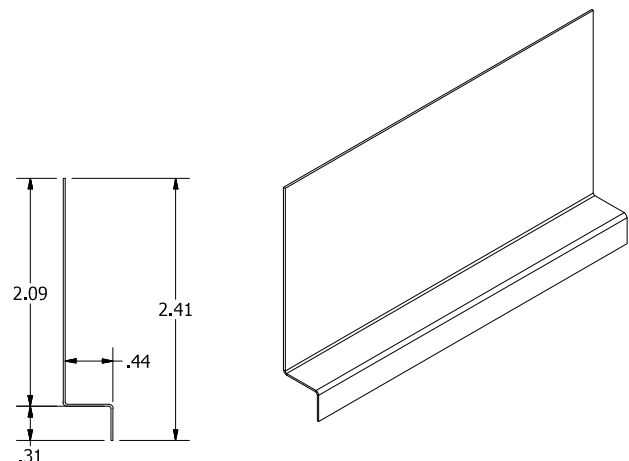
### WEIGHT

Per Piece: 0.70 lbs.  
Per Carton: 17.5 lbs.  
Per Pallet: 735 lbs.

### PACKAGING

Per Carton: 25  
Per Pallet: 1050

*DRAWINGS SHOW ACTUAL DIMENSIONS*



## COLOR AVAILABILITY CHART

### PRODUCTS: FLASHINGS

SOLID COLORS	BRICK LEDGE	Z-FLASH
WHITE		
BISCUIT		
SAND		
OYSTER SHELL		
LIGHT GRAY		
CLAY		
PEWTER GREEN		
FRENCH GRAY		
PLATINUM		
TERRA BRONZE		
SEAL		
OLIVE		
PELICAN		
SMOKY ASH		
MOUNTAIN LAKE		
CINNABAR		
COFFEE		
CARIBOU		
MIDNIGHT		
GRAPHITE		
CLOVE		
BEIGE		
ONYX		
BEDROCK		
ELKHORN		
CANYON		
MAHOGANY		
GRIZZLY		
CHESTNUT		



NOT AVAILABLE



COLOR MATCH



COORDINATING COLOR

## J-CHANNEL

Function: Caps siding cuts in gable ends when F-Channel design does not allow for easy caulking

Part Description: 7/8 in. J Chan Smooth 10 ft.

### ACTUAL DIMENSIONS

Exposure: 0.63 in.  
Overlap: N/A  
Pieces per square: N/A  
Length: 120 in.  
Width: 0.88 in.  
Height: 1.38 in.  
Min. Thickness: 0.019 in.

### CONSTRUCTION

Substrate: Aluminium  
Finish: Coordinating color matches  
Other: N/A

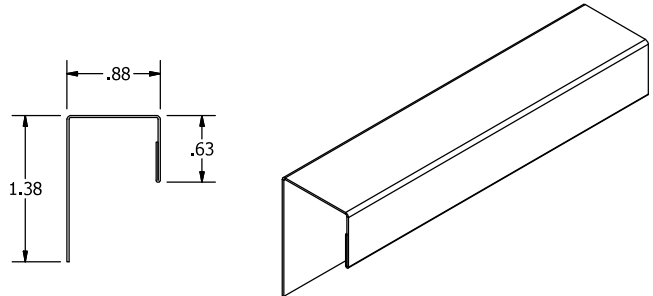
### WEIGHT

Per Piece: 0.78 lbs.  
Per Carton: 19.5 lbs.  
Per Pallet: N/A

### PACKAGING

Per Carton: 25  
Per Pallet: 100

*DRAWINGS SHOW ACTUAL DIMENSIONS*



---

## TRIM COIL

Function: For bending custom metal accessories on site

Part Description: 24x50 Smooth Trim Coil

### ACTUAL DIMENSIONS

Exposure: N/A  
Overlap: N/A  
Pieces per square: N/A  
Length: 50 ft.  
Width: 24 in.  
Height: N/A  
Min. Thickness: 0.019 in.

### CONSTRUCTION

Substrate: Aluminium  
Finish: Coordinating color matches

### WEIGHT

Per Piece: 25 lbs.  
Per Carton: 25 lbs.  
Per Pallet: 1200 lbs.

### PACKAGING

Per Carton: 1  
Per Pallet: 25

*DRAWINGS SHOW ACTUAL DIMENSIONS*



## COLOR AVAILABILITY CHART

### PRODUCTS: FLASHINGS

SOLID COLORS	J-CHANNEL	TRIM COIL
WHITE		QE 503
BISCUIT		QE 351
SAND		QE 177
OYSTER SHELL		QE 509
LIGHT GRAY		QE 361
CLAY		QE 354
PEWTER GREEN		QE 356
FRENCH GRAY		QE 407
PLATINUM		QE 357
TERRA BRONZE		QE 511
SEAL		QE 358
OLIVE		QE 767
PELICAN		QE 355
SMOKY ASH		QE 363
MOUNTAIN LAKE		QE 364
CINNABAR		QE 353
COFFEE		QE 507
CARIBOU		QE 508
MIDNIGHT		QE 657
GRAPHITE		QE 414
CLOVE		QE 656
BEIGE		QE 350
ONYX		QE 518
BEDROCK		QE 363
ELKHORN		QE 507
CANYON		QE 655
MAHOGANY		
GRIZZLY		QE 655
CHESTNUT		



NOT AVAILABLE



COLOR MATCH



COORDINATING COLOR



## UNIVERSAL RIGIDMOUNT™

Function: Designed for mounting exterior lighting; intake/exhaust vents

Part Description: RigidMount Universal

### ACTUAL DIMENSIONS

Exposure: N/A  
 Overlap: N/A  
 Pieces per square: N/A  
 Length: N/A  
 Width: 8.25 in.  
 Height: 10.31 in.  
 Min. Thickness: 1.125 in.

### CONSTRUCTION

Substrate: Strand  
 LP® SmartSide®  
 Finish: Diamond Kote®  
 Other: ABS Back Plate

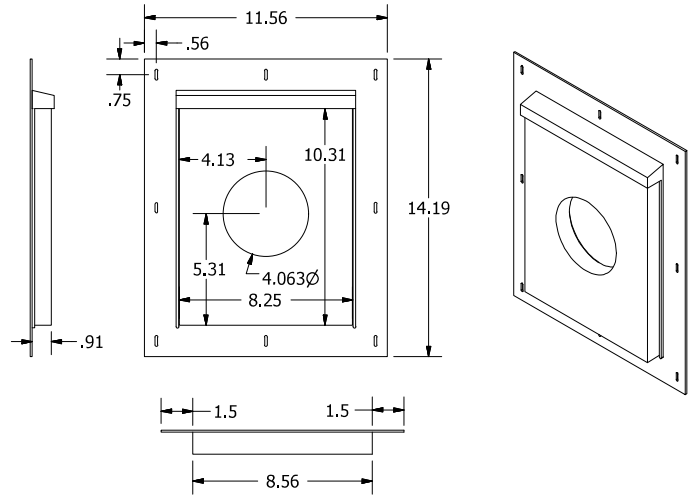
### WEIGHT

Per Piece: 2.33 lbs.  
 Per Carton: 23.33 lbs.  
 Per Pallet: N/A

### PACKAGING

Per Carton: 10  
 Per Pallet: N/A

DRAWINGS SHOW ACTUAL DIMENSIONS



## BLANK UNIVERSAL RIGIDMOUNT™

Function: Multi-purpose mounting surface; field modify as needs require

Part Description: RigidMount Universal Blank

### ACTUAL DIMENSIONS

Exposure: N/A  
 Overlap: N/A  
 Pieces per square: N/A  
 Length: N/A  
 Width: 8.25 in.  
 Height: 10.313 in.  
 Min. Thickness: 1.125 in.

### CONSTRUCTION

Substrate: Strand  
 LP® SmartSide®  
 Finish: Diamond Kote®  
 Other: ABS Back Plate

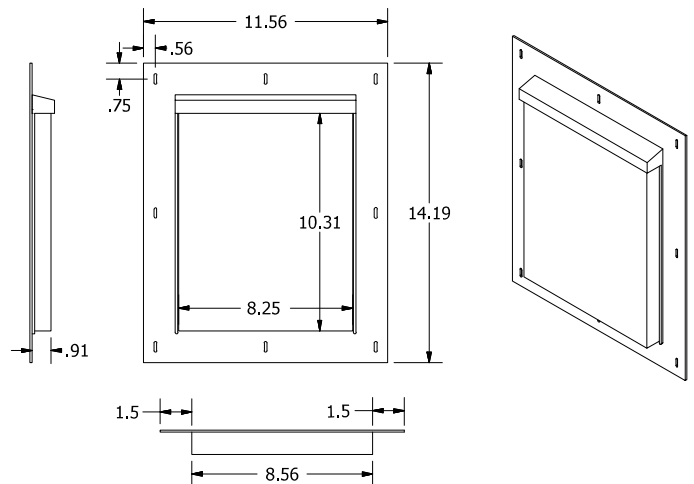
### WEIGHT

Per Piece: 2.5 lbs.  
 Per Carton: 25 lbs.  
 Per Pallet: N/A

### PACKAGING

Per Carton: 10  
 Per Pallet: N/A

DRAWINGS SHOW ACTUAL DIMENSIONS



**COLOR AVAILABILITY CHART**  
**PRODUCTS: RIGIDMOUNT™ BLOCKS**

SOLID COLORS	UNIVERSAL	BLANK UNIVERSAL
WHITE		
BISCUIT		
SAND		
OYSTER SHELL		
LIGHT GRAY		
CLAY		
PEWTER GREEN		
FRENCH GRAY		
PLATINUM		
TERRA BRONZE		
SEAL		
OLIVE		
PELICAN		
SMOKY ASH		
MOUNTAIN LAKE		
CINNABAR		
COFFEE		
CARIBOU		
MIDNIGHT		
GRAPHITE		
CLOVE		
BEIGE		
ONYX		
BEDROCK		
ELKHORN		
CANYON		
MAHOGANY		
GRIZZLY		
CHESTNUT		

 NOT AVAILABLE	 PAINTED TEXTURE & SMOOTH	 PAINTED TEXTURE
---	--	---

## UL ELECTRICAL RIGIDMOUNT™

Function: Built in drip cap; hidden fastener nailing flange; woodgrain parallel to grain on adjacent siding

Part Description: RigidMount UL Electrical

### ACTUAL DIMENSIONS

Exposure: N/A  
 Overlap: N/A  
 Pieces per square: N/A  
 Length: N/A  
 Width: 5.94 in.  
 Height: 6.94 in.  
 Min. Thickness: 1.45 in.

### CONSTRUCTION

Substrate: Strand  
 LP® SmartSide®  
 Finish: Diamond Kote®  
 Other: ABS Back Plate

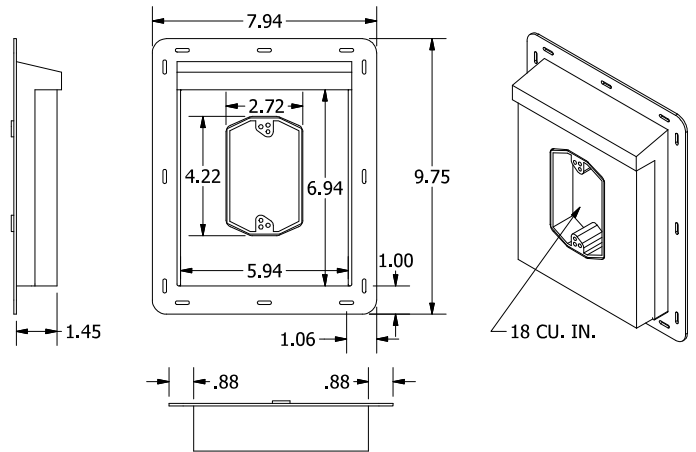
### WEIGHT

Per Piece: 1.4 lbs.  
 Per Carton: 14 lbs.  
 Per Pallet: N/A

### PACKAGING

Per Carton: 10  
 Per Pallet: N/A

DRAWINGS SHOW ACTUAL DIMENSIONS



## RECEPTACLE RIGIDMOUNT™

Function: For mounting outlets in remodel situations

Part Description: RigidMount Receptacle

### ACTUAL DIMENSIONS

Exposure: N/A  
 Overlap: N/A  
 Pieces per square: N/A  
 Length: N/A  
 Width: 5.88 in.  
 Height: 7.69 in.  
 Min. Thickness: 1.125 in.

### CONSTRUCTION

Substrate: Strand  
 LP® SmartSide®  
 Finish: Diamond Kote®  
 Other: ABS Back Plate

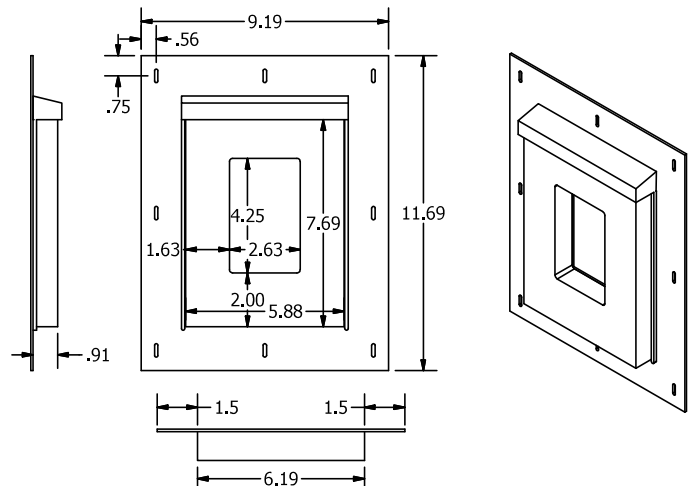
### WEIGHT

Per Piece: 1.45 lbs.  
 Per Carton: 14.5 lbs.  
 Per Pallet: N/A

### PACKAGING

Per Carton: 10  
 Per Pallet: N/A

DRAWINGS SHOW ACTUAL DIMENSIONS



**COLOR AVAILABILITY CHART**  
**PRODUCTS: RIGIDMOUNT™ BLOCKS**

SOLID COLORS	ELECTRICAL	RECEPTACLE
WHITE		
BISCUIT		
SAND		
OYSTER SHELL		
LIGHT GRAY		
CLAY		
PEWTER GREEN		
FRENCH GRAY		
PLATINUM		
TERRA BRONZE		
SEAL		
OLIVE		
PELICAN		
SMOKY ASH		
MOUNTAIN LAKE		
CINNABAR		
COFFEE		
CARIBOU		
MIDNIGHT		
GRAPHITE		
CLOVE		
BEIGE		
ONYX		
BEDROCK		
ELKHORN		
CANYON		
MAHOGANY		
GRIZZLY		
CHESTNUT		

 NOT AVAILABLE	 PAINTED TEXTURE & SMOOTH	 PAINTED TEXTURE
---	--	---

## OVERSIZED RIGIDMOUNT™

Function: Designed for mounting large exterior lighting; intake/exhaust vents

Part Description: RigidMount Oversize

### ACTUAL DIMENSIONS

Exposure: N/A  
 Overlap: N/A  
 Pieces per square: N/A  
 Length: N/A  
 Width: 8.25 in.  
 Height: 14.3 in.  
 Min. Thickness: 1.125 in.

### CONSTRUCTION

Substrate: Strand  
 LP® SmartSide®  
 Finish: Diamond Kote®  
 Other: ABS Back Plate

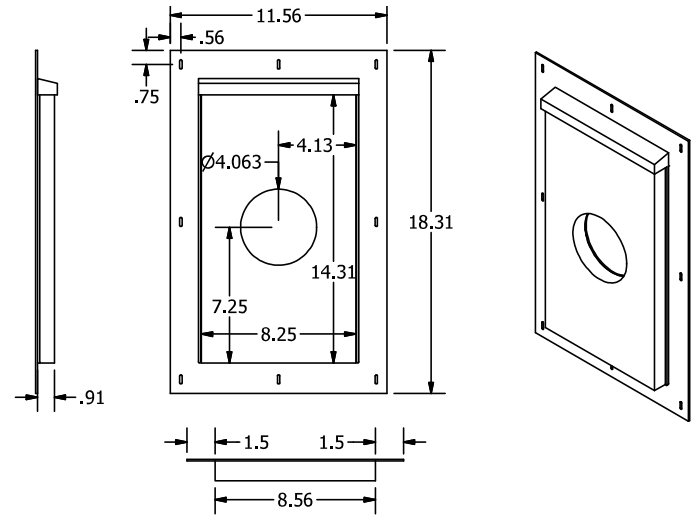
### WEIGHT

Per Piece: 3.33 lbs.  
 Per Carton: 33.3 lbs.  
 Per Pallet: N/A

### PACKAGING

Per Carton: 10  
 Per Pallet: N/A

*DRAWINGS SHOW ACTUAL DIMENSIONS*



## SPLIT RIGIDMOUNT™

Function: Split design for installation around water, gas, data/network boxes, and electrical conduits

Part Description: RigidMount Split Block

### ACTUAL DIMENSIONS

Exposure: N/A  
 Overlap: N/A  
 Pieces per square: N/A  
 Length: N/A  
 Width: 5.88 in.  
 Height: 7.69 in.  
 Min. Thickness: 1.125 in.

### CONSTRUCTION

Substrate: Strand  
 LP® SmartSide®  
 Finish: Diamond Kote®  
 Other: ABS Back Plate

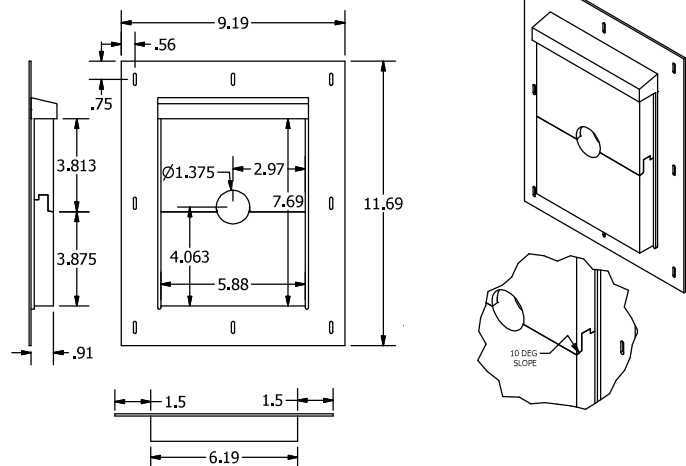
### WEIGHT

Per Piece: 1.53 lbs.  
 Per Carton: 15.3 lbs.  
 Per Pallet: N/A

### PACKAGING

Per Carton: 10  
 Per Pallet: N/A

*DRAWINGS SHOW ACTUAL DIMENSIONS*



**COLOR AVAILABILITY CHART**  
**PRODUCTS: RIGIDMOUNT™ BLOCKS**

SOLID COLORS	OVERSIZED	SPLIT
WHITE		
BISCUIT		
SAND		
OYSTER SHELL		
LIGHT GRAY		
CLAY		
PEWTER GREEN		
FRENCH GRAY		
PLATINUM		
TERRA BRONZE		
SEAL		
OLIVE		
PELICAN		
SMOKY ASH		
MOUNTAIN LAKE		
CINNABAR		
COFFEE		
CARIBOU		
MIDNIGHT		
GRAPHITE		
CLOVE		
BEIGE		
ONYX		
BEDROCK		
ELKHORN		
CANYON		
MAHOGANY		
GRIZZLY		
CHESTNUT		

 NOT AVAILABLE	 PAINTED TEXTURE & SMOOTH	 PAINTED TEXTURE
---	--	---

## PERSONALIZED RIGIDMOUNT™

Function: Displays black or white personalized address numbers/letters. Limit of 5 characters.

Part Description: RigidMount Personalized

### ACTUAL DIMENSIONS

Exposure: N/A  
 Overlap: N/A  
 Pieces per square: N/A  
 Length: N/A  
 Width: 15.88 in.  
 Height: 8.8 in.  
 Min. Thickness: 1.125 in.

### CONSTRUCTION

Substrate: Strand  
 LP® SmartSide®  
 Finish: Diamond Kote®  
 Other: ABS Back Plate

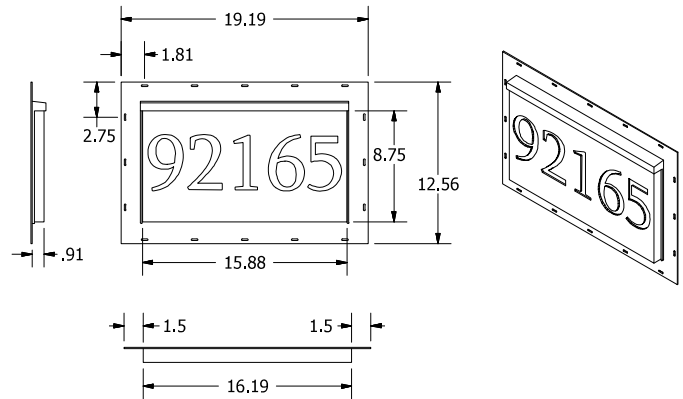
### WEIGHT

Per Piece: 3.33 lbs.  
 Per Carton: 33.3 lbs.  
 Per Pallet: N/A

### PACKAGING

Per Carton: 10  
 Per Pallet: N/A

*DRAWINGS SHOW ACTUAL DIMENSIONS*



## BLANK HORIZONTAL RIGIDMOUNT™

Function: Designed to allowing for easy pass through for HVAC piping or any mix of wall utilities.

Part Description: RigidMount Blank Horizontal

### ACTUAL DIMENSIONS

Exposure: N/A  
 Overlap: N/A  
 Pieces per square: N/A  
 Length: N/A  
 Width: 15.88 in.  
 Height: 8.8 in.  
 Min. Thickness: 1.125 in.

### CONSTRUCTION

Substrate: Strand  
 LP® SmartSide®  
 Finish: Diamond Kote®  
 Other: ABS Back Plate

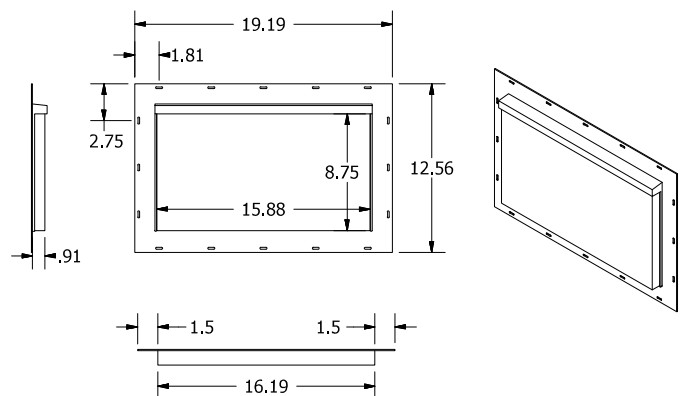
### WEIGHT

Per Piece: 3.33 lbs.  
 Per Carton: 33.3 lbs.  
 Per Pallet: N/A

### PACKAGING

Per Carton: 10  
 Per Pallet: N/A

*DRAWINGS SHOW ACTUAL DIMENSIONS*



**COLOR AVAILABILITY CHART**  
**PRODUCTS: RIGIDMOUNT™ BLOCKS**

SOLID COLORS	PERSONALIZED	BLANK HORIZONTAL
WHITE		
BISCUIT		
SAND		
OYSTER SHELL		
LIGHT GRAY		
CLAY		
PEWTER GREEN		
FRENCH GRAY		
PLATINUM		
TERRA BRONZE		
SEAL		
OLIVE		
PELICAN		
SMOKY ASH		
MOUNTAIN LAKE		
CINNABAR		
COFFEE		
CARIBOU		
MIDNIGHT		
GRAPHITE		
CLOVE		
BEIGE		
ONYX		
BEDROCK		
ELKHORN		
CANYON		
MAHOGANY		
GRIZZLY		
CHESTNUT		

 NOT AVAILABLE	 PAINTED TEXTURE & SMOOTH	 PAINTED TEXTURE
---	--	---



## 5 IN. H-MOLDING

DRAWINGS SHOW ACTUAL DIMENSIONS

Function: H-Moldings provide cover and concealment of the required expansion gap

Part Description: 5 in. H-Molding WG 6X3/8 LP

### ACTUAL DIMENSIONS

Exposure: 4.94 in.  
 Overlap: N/A  
 Pieces per square: 15.6  
 (Long wall - no openings)  
 Length: 4.94 in.  
 Width: 0.48 in.  
 Height: N/A  
 Min. Thickness: 0.019 in.

### CONSTRUCTION

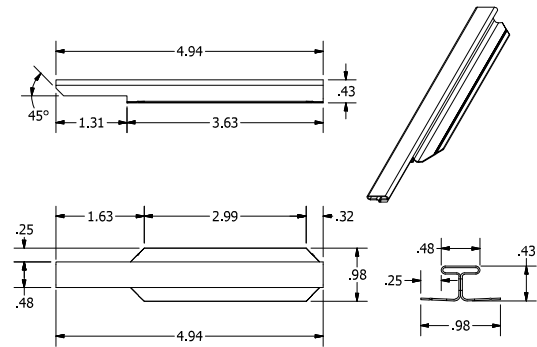
Substrate: Aluminium  
 Finish: Diamond Kote®  
 Other: N/A

### WEIGHT

Per Piece: 0.022 lbs.  
 Per Bag: 0.55 lbs.  
 Per Pallet: N/A

### PACKAGING

Per Bag: 25  
 Per Box: 100



## 7 IN. H-MOLDING

DRAWINGS SHOW ACTUAL DIMENSIONS

Function: H-Moldings provide cover and concealment of the required expansion gap

Part Description: 7 in. H-Molding WG 8X3/8 LP

### ACTUAL DIMENSIONS

Exposure: 6.94 in.  
 Overlap: N/A  
 Pieces per square: 10.8  
 (Long wall - no openings)  
 Length: 6.94 in.  
 Width: 0.48 in.  
 Height: N/A  
 Min. Thickness: 0.019 in.

### CONSTRUCTION

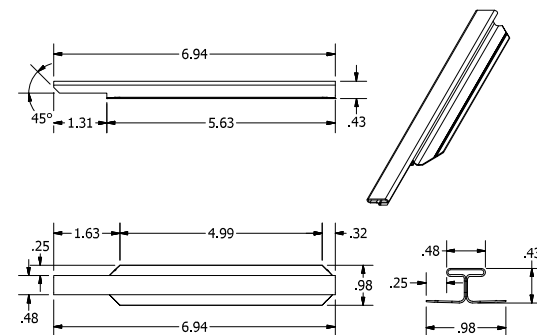
Substrate: Aluminium  
 Finish: Diamond Kote®  
 Other: N/A

### WEIGHT

Per Piece: 0.03 lbs.  
 Per Bag: 0.75 lbs.  
 Per Pallet: N/A

### PACKAGING

Per Bag: 25  
 Per Box: 100



## 11 IN. H-MOLDING

DRAWINGS SHOW ACTUAL DIMENSIONS

Function: H-Moldings provide cover and concealment of the required expansion gap

Part Description: 11 in. H-Molding WG 12X3/8 LP

### ACTUAL DIMENSIONS

Exposure: 10.94 in.  
 Overlap: N/A  
 Pieces per square: 7.2  
 (Long wall - no openings)  
 Length: 10.94 in.  
 Width: 0.48 in.  
 Height: N/A  
 Min. Thickness: 0.019 in.

### CONSTRUCTION

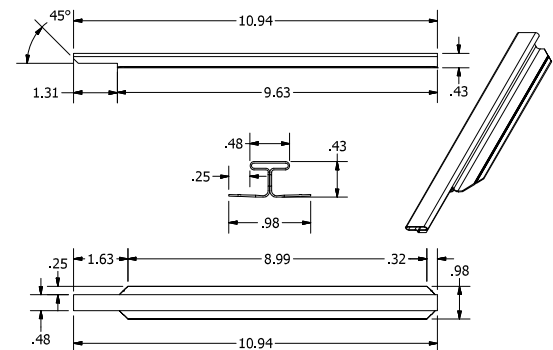
Substrate: Aluminium  
 Finish: Diamond Kote®  
 Other: N/A

### WEIGHT

Per Piece: 0.04 lbs.  
 Per Bag: 1 lbs.  
 Per Pallet: N/A

### PACKAGING

Per Bag: 25  
 Per Box: 100



**COLOR AVAILABILITY CHART**  
**PRODUCTS: H-MOLDING**

SOLID COLORS	5 INCH	7 INCH	11 INCH
WHITE			
BISCUIT			
SAND			
OYSTER SHELL			
LIGHT GRAY			
CLAY			
PEWTER GREEN			
FRENCH GRAY			
PLATINUM			
TERRA BRONZE			
SEAL			
OLIVE			
PELICAN			
SMOKY ASH			
MOUNTAIN LAKE			
CINNABAR			
COFFEE			
CARIBOU			
MIDNIGHT			
GRAPHITE			
CLOVE			
BEIGE			
ONYX			
BEDROCK			
ELKHORN			
CANYON			
MAHOGANY			
GRIZZLY			
CHESTNUT			

 NOT AVAILABLE	 PAINTED TEXTURE & SMOOTH	 PAINTED TEXTURE
---	--	---

## METAL STARTER STRIP

Function: Used to start first course of Lap Siding, RigidStack and Straight Edge RigidShakes.

Part Description: Starter Steel 2-1/2 10/0 Galv 25/Ct

### ACTUAL DIMENSIONS

Exposure: N/A  
 Overlap: N/A  
 Pieces per square: N/A  
 Length: 120 in.  
 Width: N/A  
 Height: 2.5 in.  
 Min. Thickness: 0.013 in.

### CONSTRUCTION

Substrate: Steel  
 Finish: Galvanized  
 Other: N/A

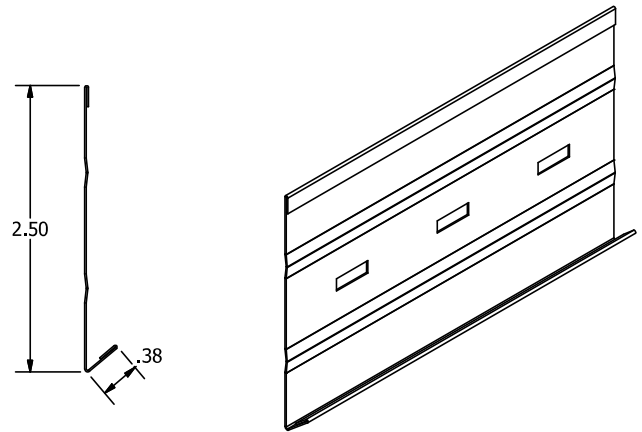
### WEIGHT

Per Piece: 1.4 lbs.  
 Per Carton: 35 lbs.  
 Per Pallet: 2520 lbs.

### PACKAGING

Per Carton: 25  
 Per Pallet: 1800

*DRAWINGS SHOW ACTUAL DIMENSIONS*



## 8 IN. STARTER BOARD

Function: Transition piece between the ground and the first course of siding for installation requirements

Part Description: Starter 1X8-16 Certatrim

### ACTUAL DIMENSIONS

Exposure: 5.81 in.  
 Overlap: 1.125 in.  
 Pieces per square: N/A  
 Length: 192 in.  
 Width: 7.25 in.  
 Height: N/A  
 Min. Thickness: 0.75 in.

### CONSTRUCTION

Substrate: PVC  
 Finish: Diamond Kote®  
 Other: N/A

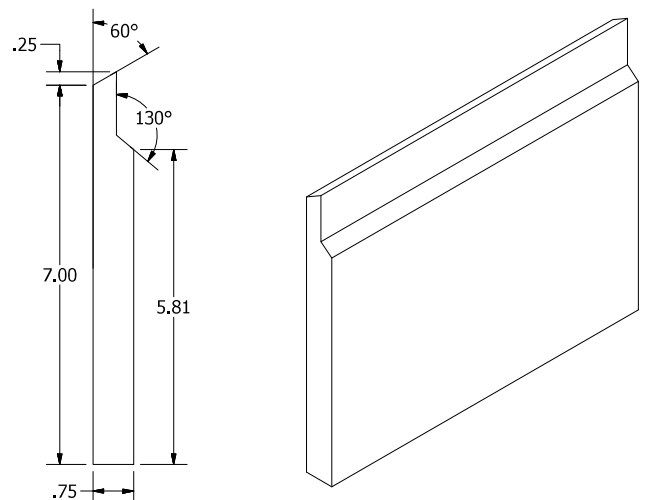
### WEIGHT

Per Piece: 23.61 lbs.  
 Per Bundle: 47.22 lbs.  
 Per Pallet: 1699.92 lbs.

### PACKAGING

Per Bundle: 2  
 Per Pallet: 72

*DRAWINGS SHOW ACTUAL DIMENSIONS*



**COLOR AVAILABILITY CHART**  
**PRODUCTS: STARTER OPTIONS**

SOLID COLORS	METAL STARTER	STARTER BOARD
WHITE		
BISCUIT		
SAND		
OYSTER SHELL		
LIGHT GRAY		
CLAY		
PEWTER GREEN		
FRENCH GRAY		
PLATINUM		
TERRA BRONZE		
SEAL		
OLIVE		
PELICAN		
SMOKY ASH		
MOUNTAIN LAKE		
CINNABAR		
COFFEE		
CARIBOU		
MIDNIGHT		
GRAPHITE		
CLOVE		
BEIGE		
ONYX		
BEDROCK		
ELKHORN		
CANYON		
MAHOGANY		
GRIZZLY		
CHESTNUT		

 NOT AVAILABLE	 PAINTED TEXTURE & SMOOTH	 PAINTED TEXTURE
---	--	---

## 1-3/4 IN. RING SHANK HAND DRIVE

DRAWINGS SHOW ACTUAL DIMENSIONS

Function: Recommended for hand fastening of Nail Fin Corners and Nail Fin Trim

Part Description: 1-3/4 in. DK Nail RS 5# Box R-104A

### ACTUAL DIMENSIONS

Drive Type: Hand  
Shank Design: Ring  
Tensile Strength: N/A  
Shear Strength: N/A  
Length: 1.72 in.  
Head: 0.375 in.  
Gauge: 0.120 in.

### CONSTRUCTION

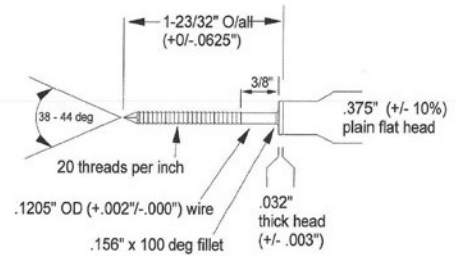
Substrate: Steel  
Finish: Stormguard®  
Double Hot-Dip Galvanized ASTM A153 Compliant

### WEIGHT

Per Pound: 156 lbs.  
Per Box: 5# lbs.  
Per Carton: 30 lbs.  
Per Pallet: N/A

### PACKAGING

Per Box: 780  
Per Carton: 6 Bx./ Ct.



## 2-1/2 IN. PAINTED NAILS

DRAWINGS SHOW ACTUAL DIMENSIONS

Function: Recommended for face nailing pre-finished LP® SmartSide®

Part Description: 2-1/2 in. 5# 8D DK Nails

### ACTUAL DIMENSIONS

Drive Type: Hand  
Shank Design: Plain  
Tensile Strength: N/A  
Shear Strength: N/A  
Length: 2.47 in. - 8D  
Head: 0.281 in.  
Gauge: 0.113 in.

### CONSTRUCTION

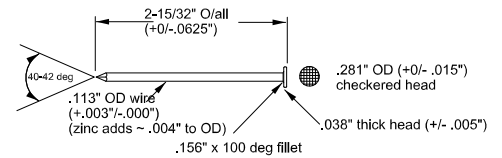
Substrate: Steel  
Finish: Dip painted to match Siding Colors and Stormguard®  
Double Hot-Dip Galvanized Astm A153 Compliant

### WEIGHT

Per Pound: 123 lbs.  
Per Box: 5# lbs.  
Per Carton: 30 lbs.  
Per Pallet: N/A

### PACKAGING

Per Box: 615  
Per Carton: 3690



## CORTEX SCREW & PLUGS FOR PVC

DRAWINGS SHOW ACTUAL DIMENSIONS

Function: For the installation of Starter Board

Part Description: Cortex White WG 50/250/750 Lf/Bx Screw & Plug

### ACTUAL DIMENSIONS

Drive Type:  
#20 Torx® ttap®  
Shank Design:  
Dual Lead 12 Threads/  
Inch  
Tensile Strength: 1,694  
Lbf  
Shear Strength: 1,861  
Lbf  
Length: 2 in.  
Shank Size: #9

### CONSTRUCTION

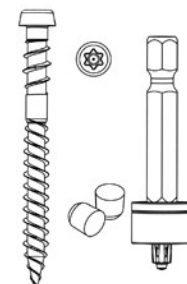
Substrate:  
Carbon Steel  
Other: PVC Plug

### WEIGHT

Per Pound: N/A  
Per Box: 4.033 lbs.  
Per Carton: 24.19 lbs.  
Per Pallet: N/A

### PACKAGING

Per Box: 375  
Screws/400 Plug  
Per Carton: 6 Bx./ Ct.



**COLOR AVAILABILITY CHART**  
**PRODUCTS: FASTENERS**

	<b>RING SHANK</b>	<b>PAINTED NAILS</b>	<b>CORTEX SCREWS</b>
<b>SOLID COLORS</b>	<b>1-3/4</b>	<b>2-1/2</b>	<b>N/A</b>
WHITE			
BISCUIT			
SAND			
OYSTER SHELL			
LIGHT GRAY			
CLAY			
PEWTER GREEN			
FRENCH GRAY			
PLATINUM			
TERRA BRONZE			
SEAL			
OLIVE			
PELICAN			
SMOKY ASH			
MOUNTAIN LAKE			
CINNABAR			
COFFEE			
CARIBOU			
MIDNIGHT			
GRAPHITE			
CLOVE			
BEIGE			
ONYX			
BEDROCK			
ELKHORN			
CANYON			
MAHOGANY			
GRIZZLY			
CHESTNUT			

 NOT AVAILABLE	 COLOR MATCH	 COORDINATING COLOR
---	---	--

The background of the advertisement is a detailed architectural wireframe of a two-story house. The drawing shows the structural elements of the building, including the roof, walls, windows, and doors. A central white text box with a blue border is overlaid on the wireframe. The text box contains the company name and a description of their products. The bottom of the advertisement features a solid blue gradient background with white text.

# **DIAMOND KOTE®**

## **Building Products**

Diamond Kote® Building Products offers a complete siding system designed to create an efficient installation for professionals and a flawless finished product for homeowners. Solid Color Collection is backed by an industry-leading 30-Year No Fade Warranty.

[diamondkotesiding.com](http://diamondkotesiding.com)

**DESIGNED WITH THE INSTALLER IN MIND.**

**Cal. Prop 65 Warning:** This product can expose you to chemicals known to the State of California to cause cancer, birth defects or other reproductive harm. For more information go to [www.P65Warnings.ca.gov](http://www.P65Warnings.ca.gov)  
Specifications subject to change without notice.