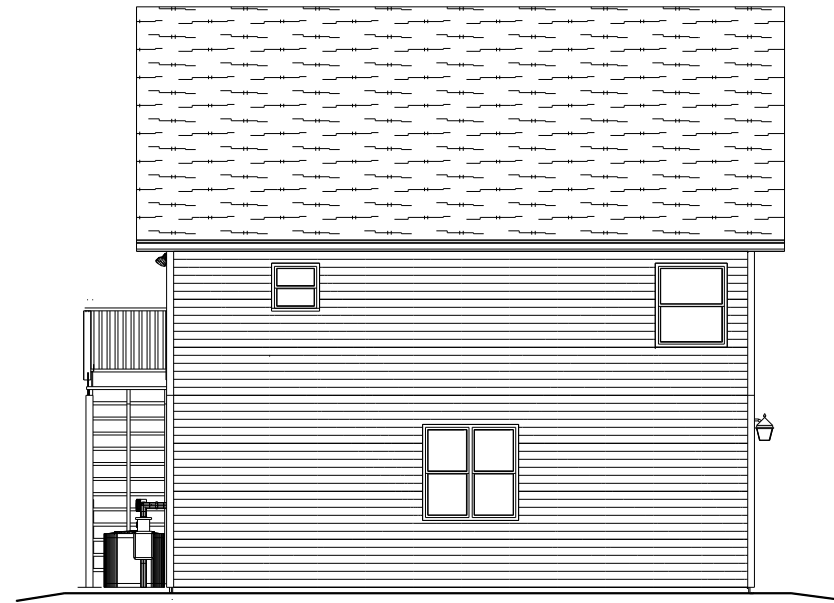
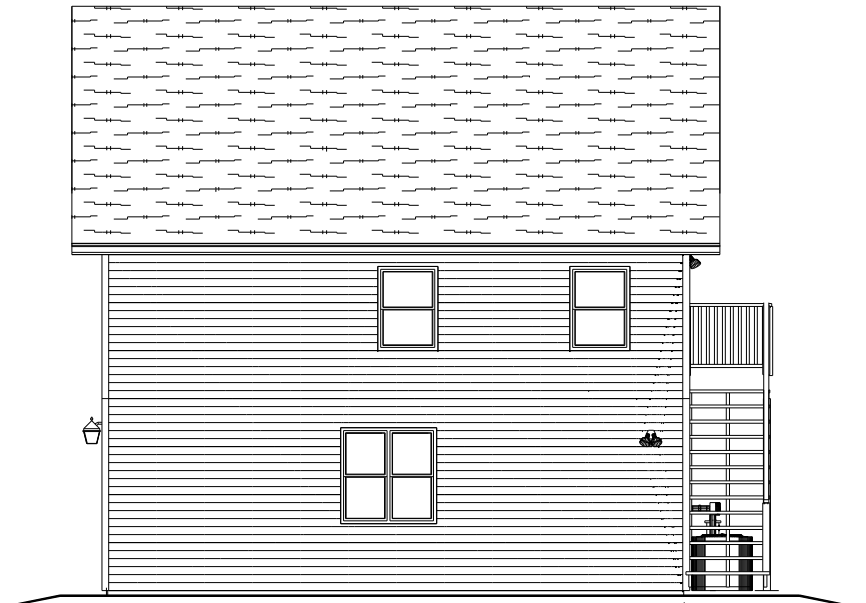
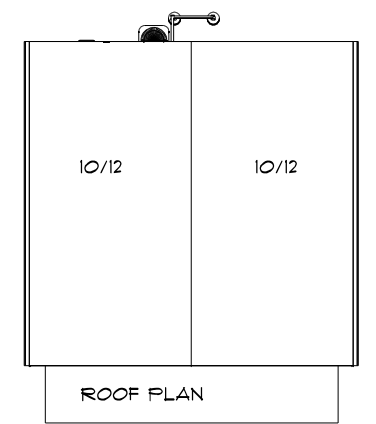


FRONT ELEVATION
 SCALE: 0.219" = 1'-0"



LEFT ELEVATION
 SCALE: 1/8" = 1'-0"



RIGHT ELEVATION
 SCALE: 1/8" = 1'-0"



REAR ELEVATION
 SCALE: 1/8" = 1'-0"

SOFTPLAN
 ARCHITECTURAL DESIGN SOFTWARE

NextStep Building & Design LLC

2932 Green Avenue
 Blue Mounds, WI 53517

PHONE:
 FAX:
 toddpseiler@gmail.com

SECTION LETTER
 A

PAGE NUMBERS
 1 | 1

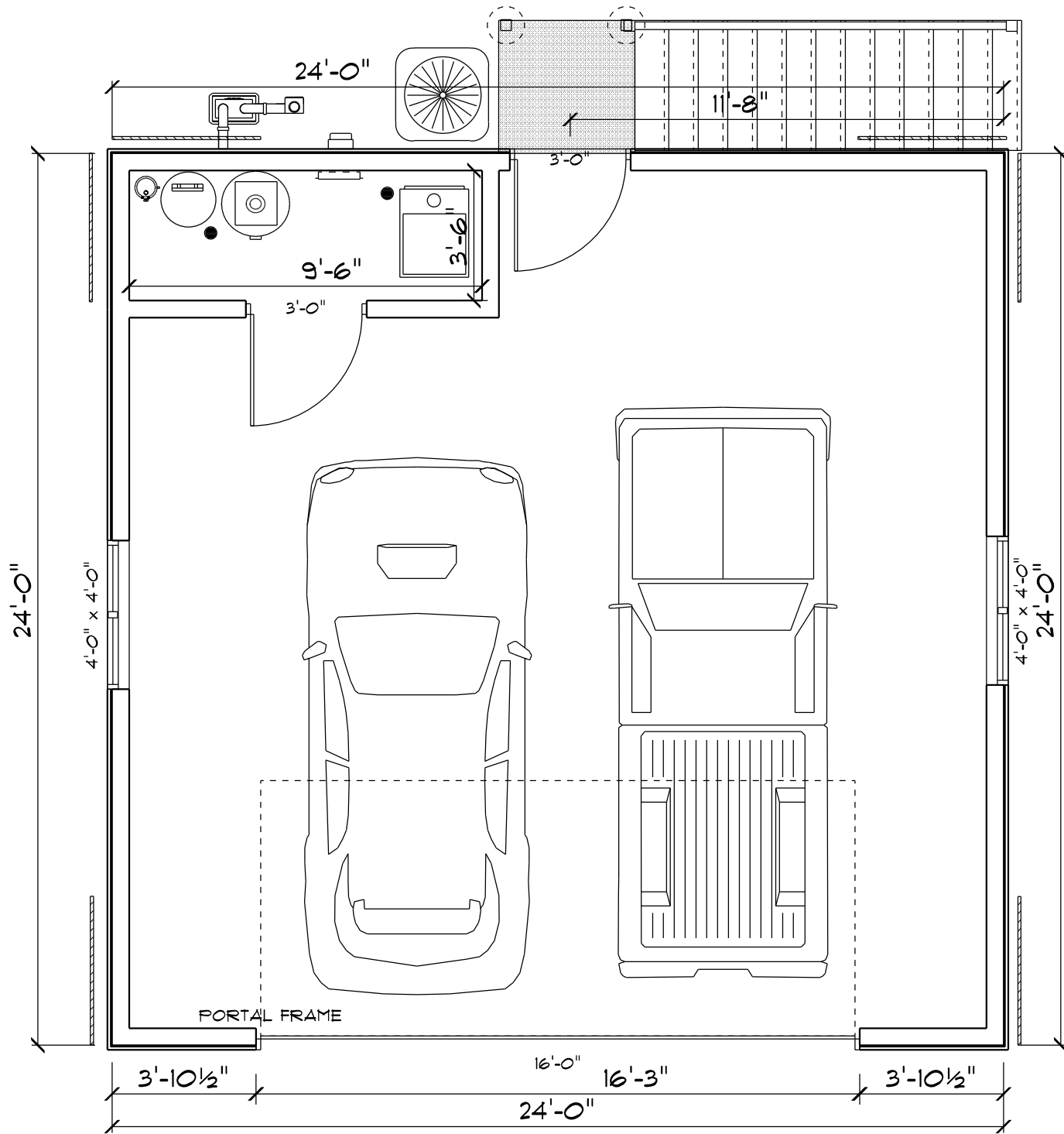
Monahan Garage

1208 Chandler Street
 Madison, WI 53715

PHONE:
 FAX:

DRAWN BY:
 SCALE: 1/4" = 1'-0"
 DATE: Monday, June 24, 2019

PAGE:



1ST FLOOR PLAN

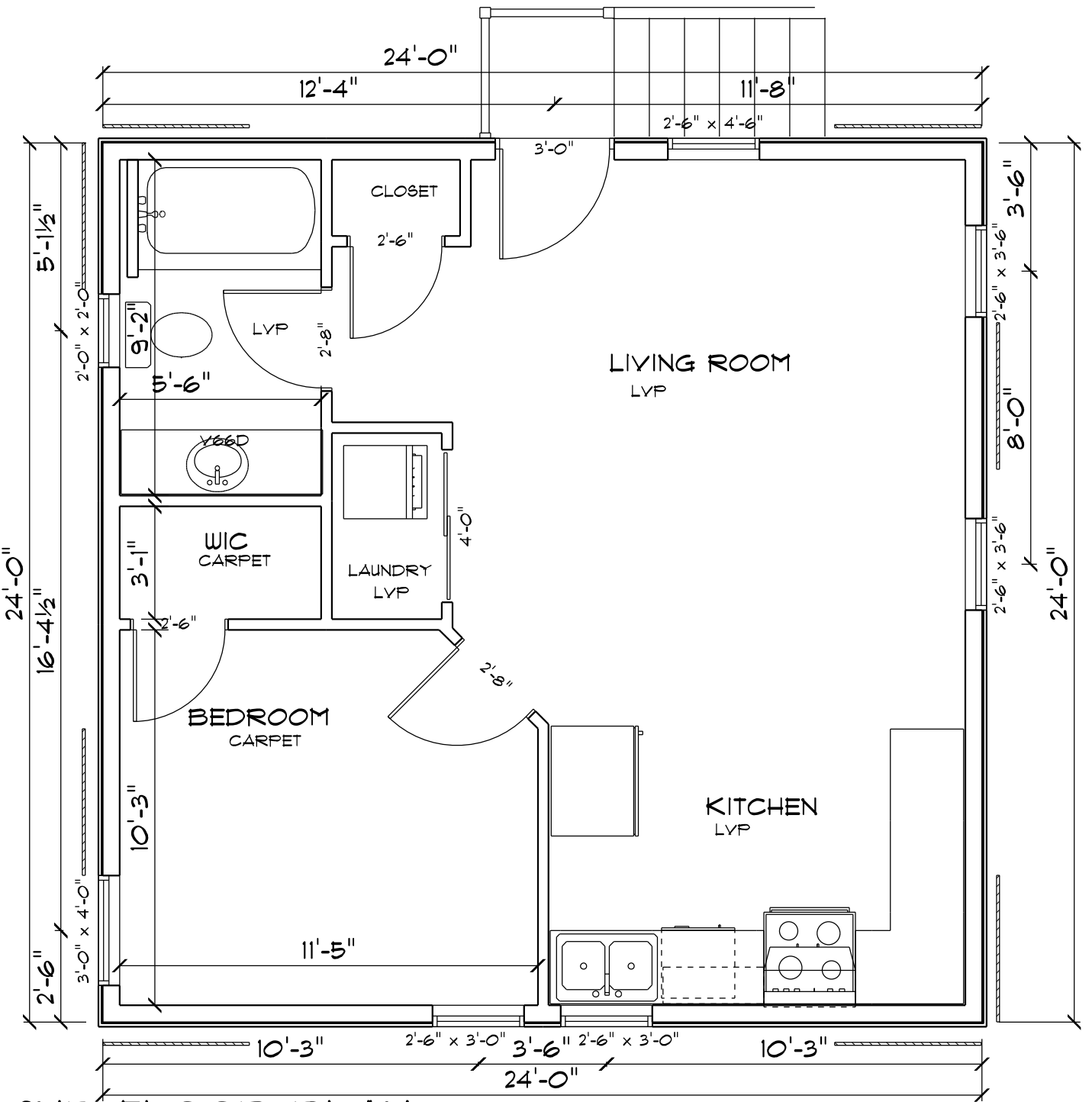
SCALE: 1/4" = 1'-0"

WALL BRACING

BUILDING SPECIFICATIONS:

- DEMO
- EXISTING SHED/DISPOSE OF DEBRIS
- EXCAVATION
- 3'-9" FROST WALLS, BREAKER ROCK
- TIE IN SANITARY TO HOUSE UTILITIES
- CONNECT WATER, SANITARY, ELECTRIC TO MAIN/PRIMARY EXISTING BUILDING
- SEE BUILDING SPECIFICATIONS LIST

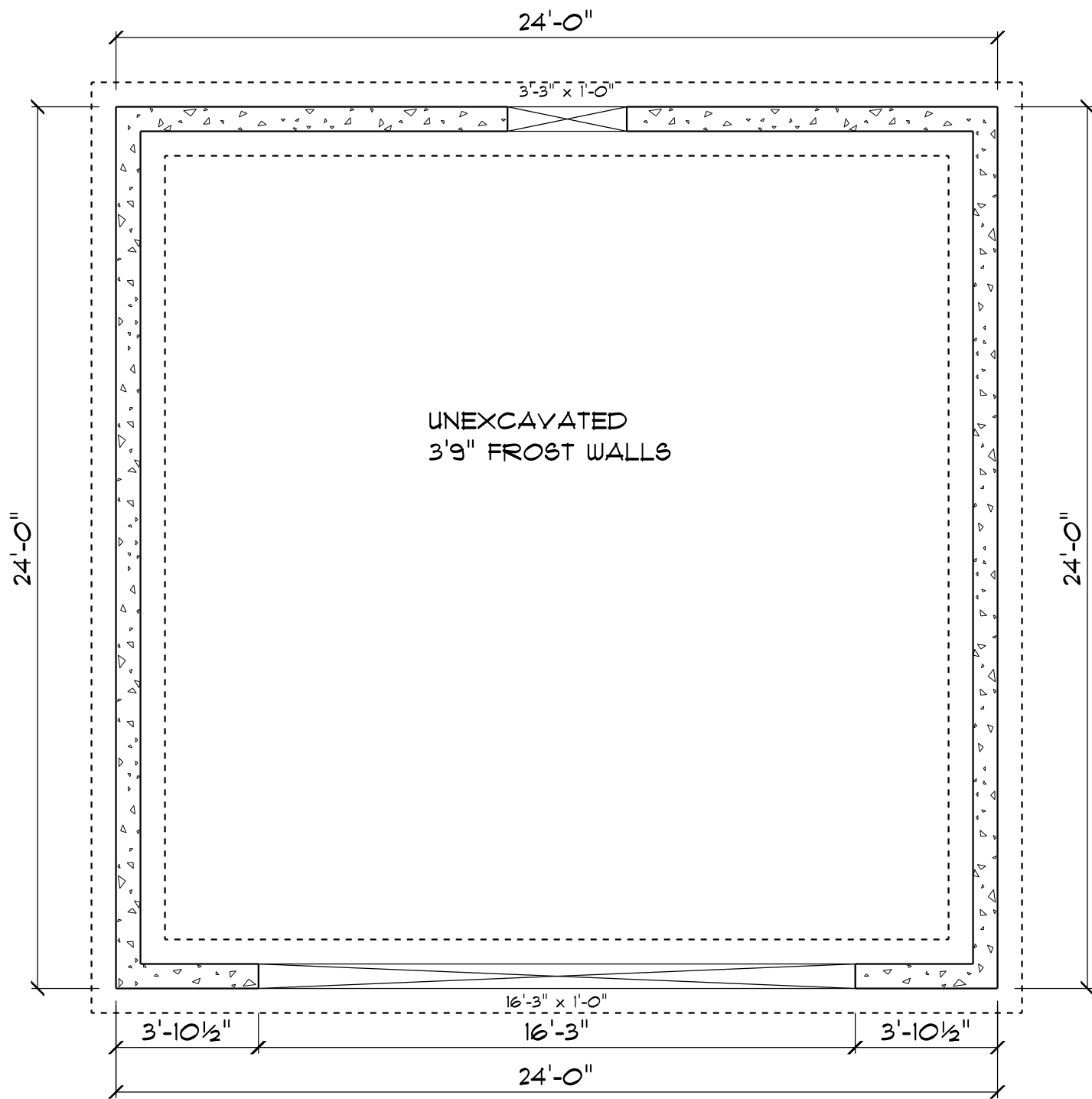
AREA SCHEDULE	
NAME	AREA
Garage Unheated	528.0 sq ft.
Garage Mechanical Rm	48.0 sq ft.
2nd Floor Finished	576.0 sq ft.



2ND FLOOR PLAN

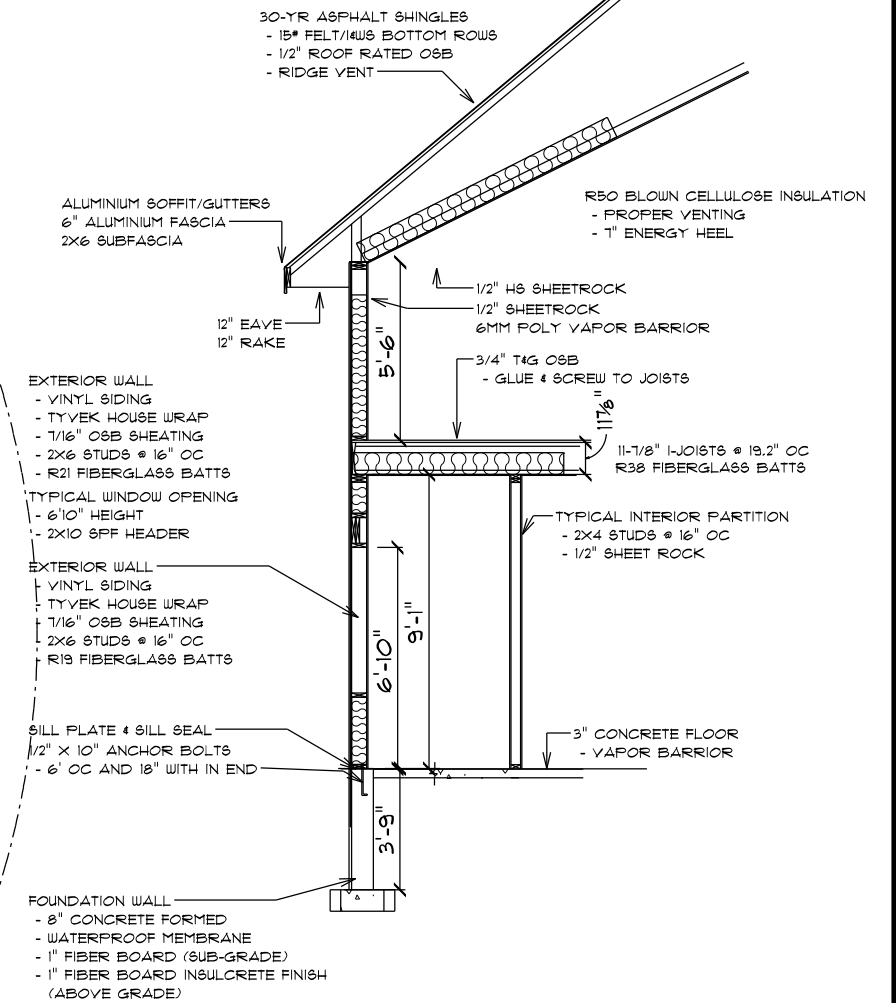
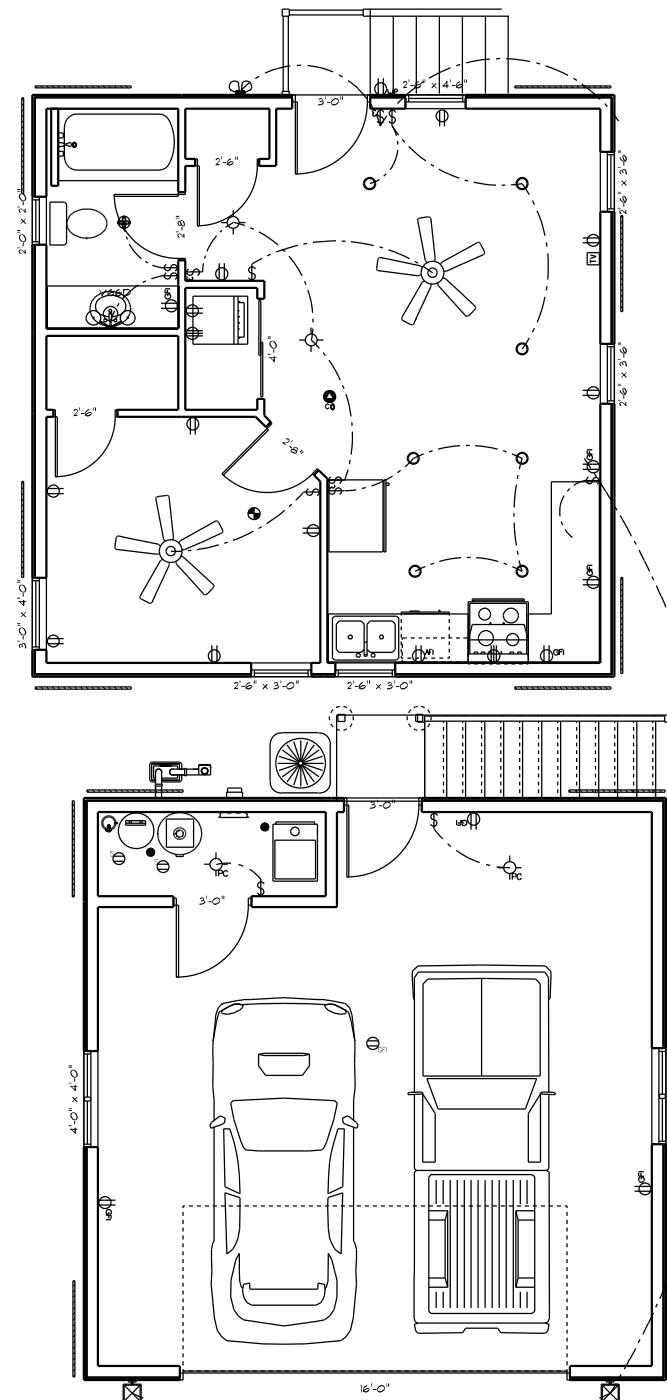
SCALE: 1/4" = 1'-0"

<p>NextStep Building & Design LLC</p> <p>2932 Green Avenue Blue Mounds, WI 53517</p> <p>PHONE: FAX: toddpsailer@gmail.com</p>	<p>SECTION LETTER</p> <p>PAGE NUMBERS</p>	<p>Monahan Garage</p> <p>1208 Chandler Street Madison, WI 53715</p> <p>PHONE: FAX:</p>
<p>DRAWN BY:</p> <p>SCALE: 1/4" = 1'-0"</p> <p>DATE: Monday, June 24, 2019</p>		<p>PAGE:</p>



FOUNDATION PLAN

SCALE: 1/4" = 1'-0"



TYPICAL WALL SECTION 2-STORY

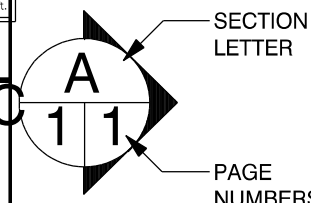
NAME	AREA
Garage Unheated	528.0 sq. ft.
Garage Mechanical Rm	48.0 sq. ft.
Floor Finished	576.0 sq. ft.

SOFTPLAN
ARCHITECTURAL DESIGN SOFTWARE

NextStep Building & Design LLC

2932 Green Avenue
Blue Mounds, WI 53517

PHONE:
FAX:
toddpeiler@gmail.com



Monahan Garage

1208 Chandler Street
Madison, WI 53715


PHONE:
FAX:

DRAWN BY:
SCALE: 1/4" = 1'-0"

DATE: Monday, June 24, 2019

PAGE:

WILLIAMSON SURVEYING & ASSOCIATES, LLC
 104 A WEST MAIN STREET, WAUNAKEE, WISCONSIN, 53597
 NDA T. PRIEVE & CHRIS W. ADAMS
 PROFESSIONAL LAND SURVEYORS
 PHONE: 608-255-5705 FAX: 608-849-9760 WEB: WILLIAMSONSURVEYING.COM



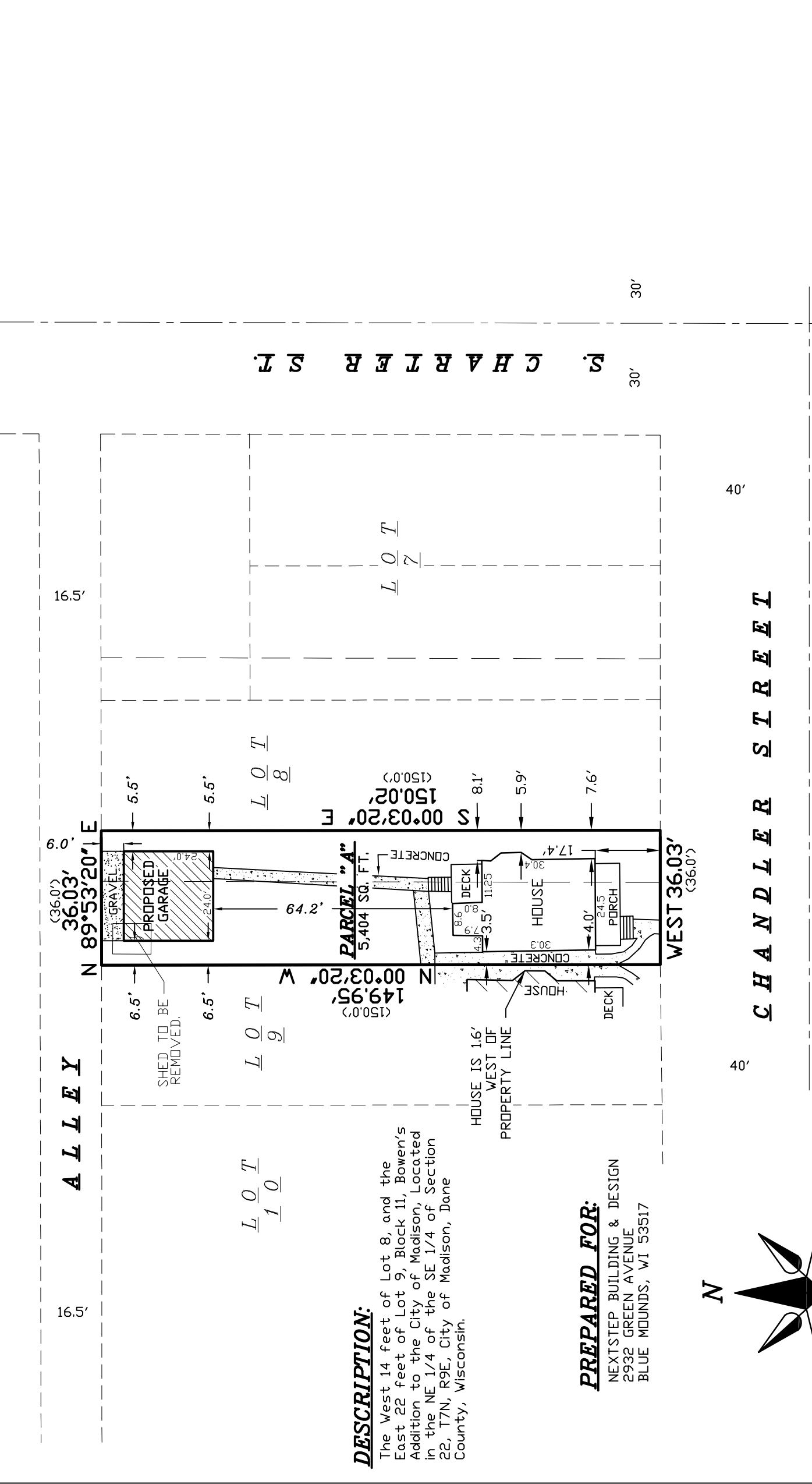
DATE	MAY 15, 2019	REVISION DATE: 6-24-2019	CHECK BY	N.T.P.
SCALE:	1" = 30'		DRAWING NO.	19W-163
DRAWN BY	NEIL BORTZ		SHEET	1 OF 1

SITE PLAN

The West 14 feet of Lot 8, and the East 22 feet of Lot 9, Block 11, Bowen's Addition to the City of Madison, Located in the NE 1/4 of the SE 1/4 of Section 22, T7N, R9E, City of Madison, Dane County, Wisconsin.

HARDSCAPE AREA

HARDSCAPE	SQ. FT.
PROPOSED GARAGE	576 SQ. FT.
HOUSE	829 SQ. FT.
CONCRETE	490 SQ. FT.
DECK / PORCH	232 SQ. FT.
STAIRS	44 SQ. FT.
GRAVEL	144 SQ. FT.



NOTES:
 THIS PARCEL IS SUBJECT TO ANY AND ALL EASEMENTS AND AGREEMENTS RECORDED AND UNRECORDED.

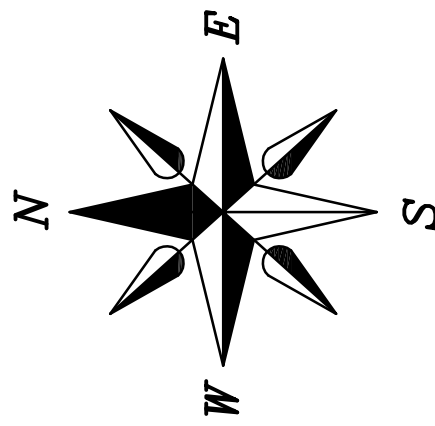
For your/our protection, have the building inspector/developer sign off on the Plot Plan accepting the plan as correctly meeting setback and deed restrictions for the parcel prior to staking. Plot Plan must be approved by the governing municipal building authority. Any staking, without municipal/developer approval, may be subject to change at the client's expense.

DESCRIPTION:

The West 14 feet of Lot 8, and the East 22 feet of Lot 9, Block 11, Bowen's Addition to the City of Madison, Located in the NE 1/4 of the SE 1/4 of Section 22, T7N, R9E, City of Madison, Dane County, Wisconsin.

PREPARED FOR:

NEXTSTEP BUILDING & DESIGN
 2932 GREEN AVENUE
 BLUE MOUNDS, WI 53517



BEARINGS ARE REFERENCED TO THE SOUTH LINE OF PARCEL "A" WHICH BEARS DUE WEST

SCALE 1" = 30'

