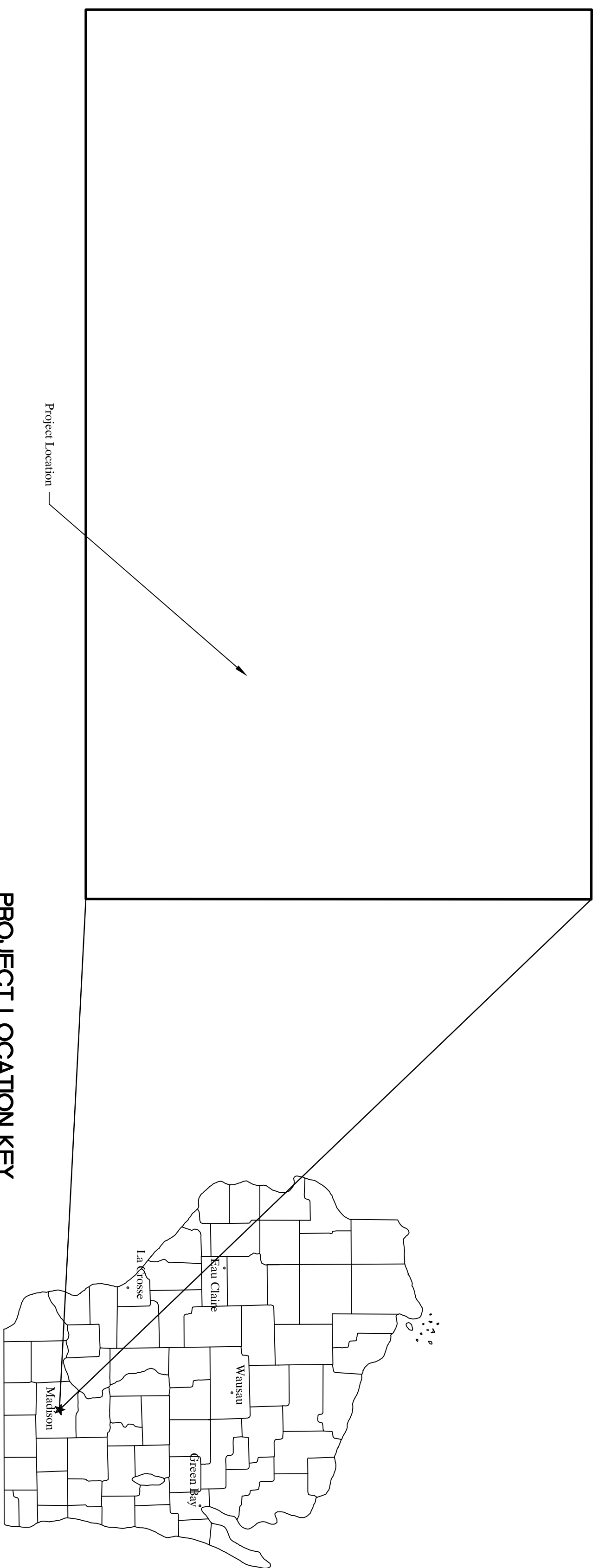


New Electrical Service Traffic Engineering Operations Center 1120 Sayle St. Madison, Wisconsin

City of Madison Department of Engineering

City of Madison Project Number - ##
August 30, 2013



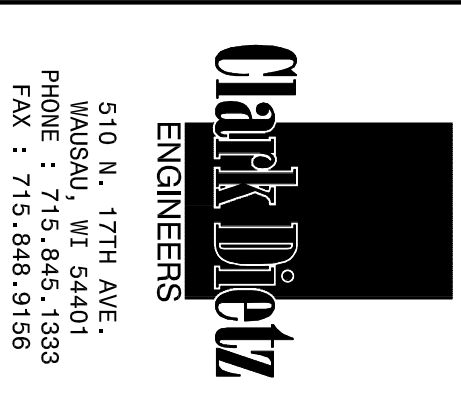
PROJECT LOCATION KEY
NO SCALE

Project Manager: Kay Schindler, P.E.
City of Madison
Department of Engineering
Madison, Wisconsin

Project Engineer: Paul Zouски, P.E.
Clark Dietz, Inc. - Engineers
Wausau, Wisconsin

STAMP

SHEET	CONTENTS
T001	COVER SHEET AND INDEX
E001	OVERALL SITE PLAN
E101	ENLARGED BUILDING PLAN
E102	ENLARGED BUILDING PLAN
E501	EXISTING ONE LINE
E502	NEW ONE LINE



PROJECT TITLE
New Electrical Service
Traffic Engineering Operations Center
1120 Sayle St.
Madison, WI

DESIGNED BY: ###
DRAWN BY: ###
CHECKED BY: ###
DATE CHECKED: ###
NOTE: DIMENSIONAL DATA IS NOT TO BE OBTAINED BY SCALING ANY PORTION OF THIS DRAWING.

DATE	REVISION

DRAWING TITLE
COVER SHEET AND INDEX

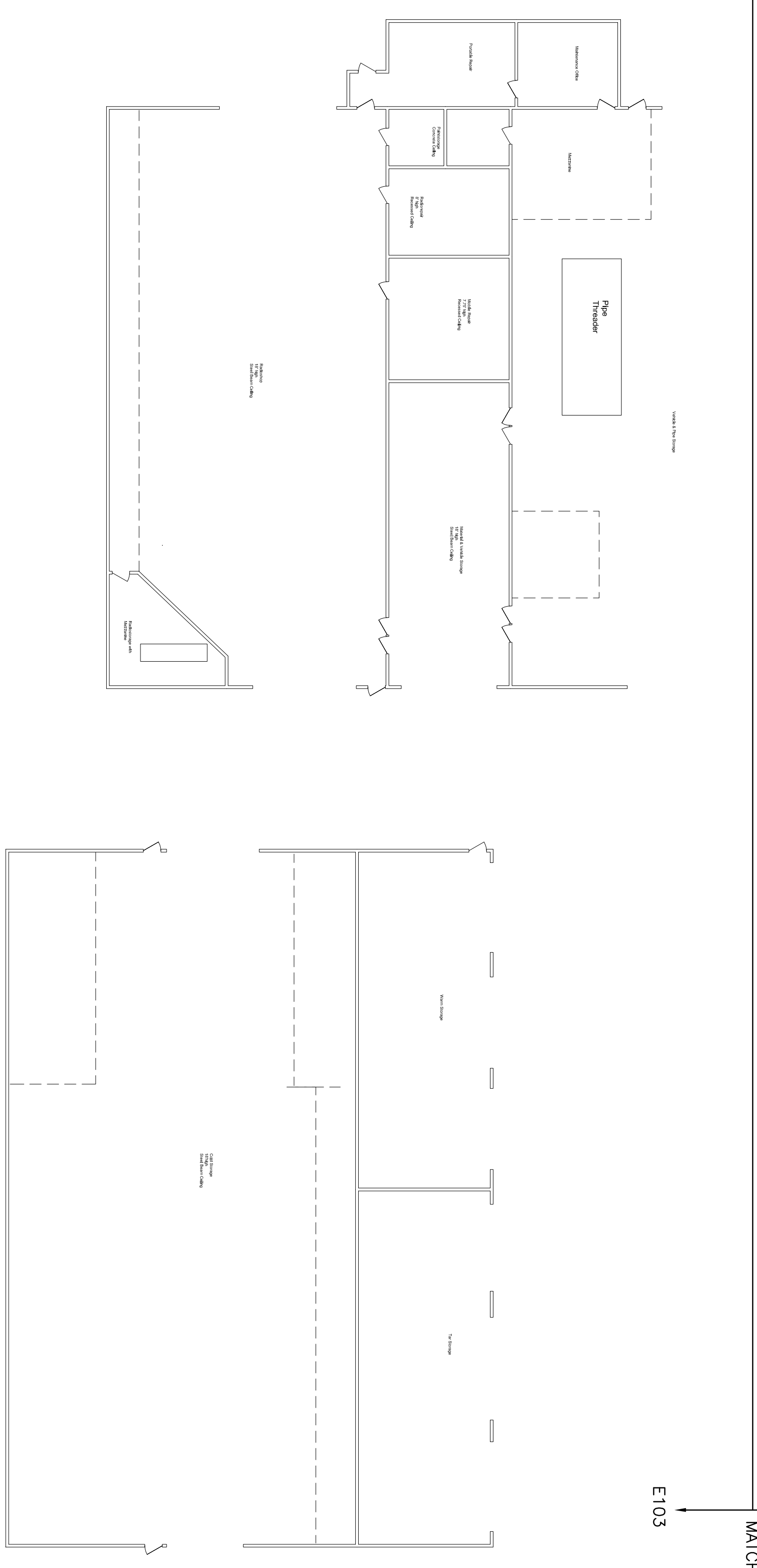
PROJECT NO.
#####

DRAWING NO.
T001

SHEET ### OF ### SHEETS

Traffic Engineering Operations Center

Clark Dotz
ENGINEERS
510 N. 17TH AVE.
WAUSAU, WI 54401
PHONE : 715.845.1333
FAX : 715.848.9158



MATCHLINE
E102
E103

MATCHLINE
E102
E103

PROJECT TITLE
**New Electrical Service
Traffic Engineering Operations Center
1120 Sayle St.
Madison, WI**

DESIGNED BY: ###
DRAWN BY: ###
CHECKED BY: ###
DATE CHECKED: ###
NOTE: DIMENSIONAL DATA IS NOT TO BE OBTAINED BY SPALTING ANY PORTION OF THIS DRAWING.

DATE	REVISION

DRAWING TITLE
OVERALL SITE PLAN

PROJECT NO. #####
DRAWING NO. #####

SHEET ### OF ### SHEETS
E101

1 OVERALL SITE PLAN
1/16"=1'-0"



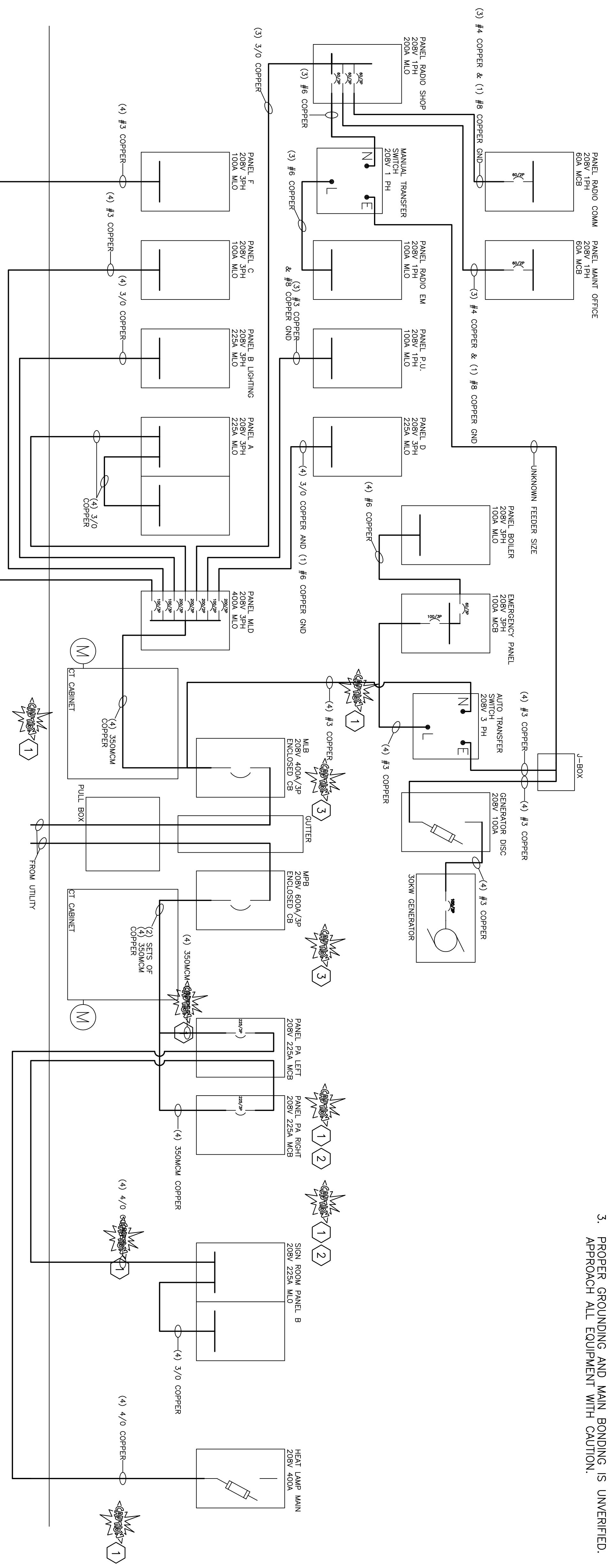
510 N. 17TH AVE.
 WAUSAU, WI 54401
 PHONE : 715.845.1333
 FAX : 715.848.9158

GENERAL NOTE

1. THE CONDITION AND CONTINUITY OF THE EXISTING GROUNDING SYSTEM IS UNVERIFIED. USE APPROPRIATE PRECAUTION WHEN CONTACTING ALL ELECTRICAL EQUIPMENT.

KEYNOTES (THIS SHEET)

1. INCORRECTLY SIZED/IMPROPERLY PROTECTED ELECTRICAL CONDUCTORS/EQUIPMENT.
2. EQUIPMENT NOT WIRED CORRECTLY. SHUTTING OFF MAIN BREAKER DOES NOT DE-ENERGIZE THE ELECTRICAL BUSSING.
3. PROPER GROUNDING AND MAIN BONDING IS UNVERIFIED. APPROACH ALL EQUIPMENT WITH CAUTION.



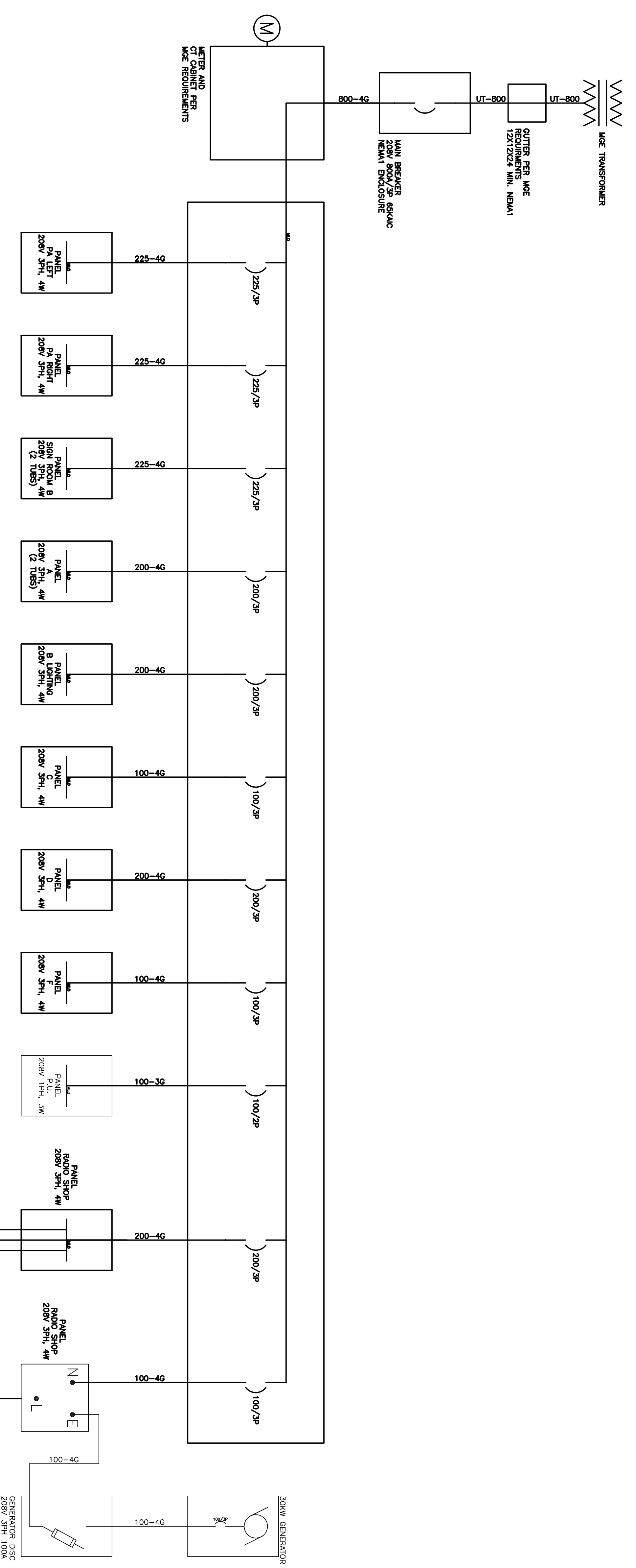
PROJECT TITLE
 New Electrical Service
 Traffic Engineering Operations Center
 1120 Sayle St.
 Madison, WI

DESIGNED BY: ###
 DRAWN BY: ###
 CHECKED BY: ###
 DATE CHECKED: ###
 NOTE: DIMENSIONAL DATA IS NOT TO BE OBTAINED BY SPACING ANY PORTION OF THIS DRAWING.

DATE	REVISION

DRAWING TITLE
 EXISTING ONE LINE DIAGRAM

PROJECT NO. #####
 DRAWING NO. REF1
 SHEET ### OF ### SHEETS



FEEDER SCHEDULE (600 V)

FEEDER AMPACITY	CONDUCTOR SIZE (mm ²)	CONDUIT SIZE
20	#12	3/4"
30	#10	3/4"
40	#8	3/4"
50	#6	1"
60	#4	1"
70	#3	1-1/4"
80	#2	1-1/2"
100	#1	1-1/2"
110	#1	1-1/2"
125	#1/0	2"
150	#2/0	2"
175	#3/0	2-1/2"
200	#4/0	2-1/2"
225	#250	2-1/2"
250	#350	3"
300	#500	3-1/2"
350	#500	3-1/2"
400	(2) #3/0	(2) 2-1/2"
450	(2) #4/0	(2) 2-1/2"
500	(2) #250	(2) 2-1/2"
600	(2) #350	(2) 3"
700	(2) #500	(2) 3-1/2"
800	(3) #350	(3) 3"
1000	(4) #500	(4) 3-1/2"
1200	(4) #500	(4) 3-1/2"
1600	(5) #500	(5) 3-1/2"
2000	(6) #500	(6) 3-1/2"

PANEL SCHEDULE

PANEL	LOCATION	TYPE	BUS	MCB	MLO	VOLT	PHASE	THRS	CRT. EA.	MOUNT	RATING (AMP)	CIRCUIT BREAKERS	NOTES
PA LEFT	SERVICE CORRIDOR	NEW	225A		X	208V	3P/4W	1	42	SURFACE			
PA RIGHT	SERVICE CORRIDOR	NEW	225A		X	208V	3P/4W	1	42	SURFACE			
SIGN ROOM B	CENTRAL CORRIDOR	NEW	225A		X	208V	3P/4W	2	42	FLUSH			
A	SIGN SHOP	NEW	225A		X	208V	3P/4W	1	42	SURFACE			
B LIGHTING	SIGN SHOP	NEW	225A		X	208V	3P/4W	1	42	SURFACE			
C	PAINTING	NEW	100A		X	208V	3P/4W	1	42	SURFACE			
D	VEHICLE & PIPE STORAGE	NEW	225A		X	208V	3P/4W	1	42	SURFACE			
F	STUDIOS	NEW	100A		X	208V	3P/4W	1	42	SURFACE			
P.U.	PARKING UTILITY	EXISTING	100A		X	208V	1P/3W	1	42	SURFACE			
RADIO SHOP	STORAGE	NEW	225A		X	208V	3P/4W	1	42	SURFACE			
RADIO COMM	REPAIR	NEW	100A		X	208V	1P/3W	1		SURFACE			
MAINT OFFICE	MAINT	NEW	100A		X	208V	1P/3W	1		SURFACE			
RADIO STANDBY	STORAGE	NEW	100A		X	208V	1P/3W	1		SURFACE			
STANDBY ROOM	SERVICE CORRIDOR	NEW	100A		X	208V	3P/4W	1	42	SURFACE			
BOILER ROOM	BOILER ROOM	NEW	100A		X	208V	3P/4W	1		SURFACE			

