

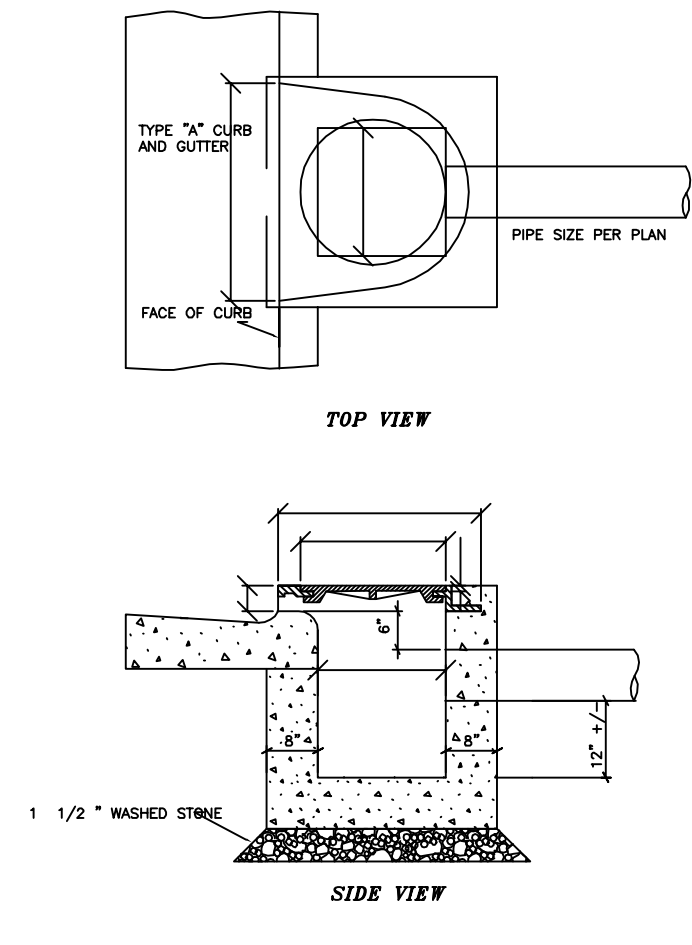
STORM SEWER PIPE SCHEDULE

PIPE NUMBER	FROM (UPSTREAM)	TO (DOWNSTREAM)	LENGTH (FT)	UPSTREAM INVERT	DOWNSTREAM INVERT	SLOPE (%)	DIAMETER OF PIPE (IN)
P-1	S-2	S-1	109	859.26	857.00	2.07	12
P-2	S-3	S-2	27	860.00	859.26	2.74	12
P-3	S-4	S-3	4	860.00	860.00	0.00	12
P-4	S-6	S-5	69	860.35	860.00	0.51	8
P-5	S-7	S-6	22	860.57	860.35	1.00	8
P-6	S-9	S-8	23	850.91	850.68	1.00	12
P-7	S-11	S-10	20	851.50	851.30	1.00	12

STORM SEWER STRUCTURE SCHEDULE

STRUCTURE NUMBER	TYPE	GRATE/LID TYPES	TOP OF CASTING	INVERT	DEPTH (FT)
S-1	CURB OUTLET STRUCTURE	R-3331	859.00	857.00	2.00
S-2	3' CB W/INLET	R-1550	863.15	859.26	3.89
S-3	3' CB W/INLET	R-2560-E2	862.00	860.00	2.00
S-4	3" ORIFICE	N/A	N/A	860.00	N/A
S-5	END OF 8" PIPE	N/A	N/A	860.00	N/A
S-6	3' CB W/INLET	R-2501	863.50	860.35	3.15
S-7	3' CB W/INLET	R-2501	863.45	860.57	2.78
S-8	EXISTING INLET	N/A	N/A	850.68	N/A
S-9	CONNECTION TO BUILDING	N/A	N/A	850.91	N/A
S-10	EXISTING INLET	N/A	N/A	851.30	N/A
S-11	CONNECTION TO BUILDING	N/A	N/A	851.50	N/A

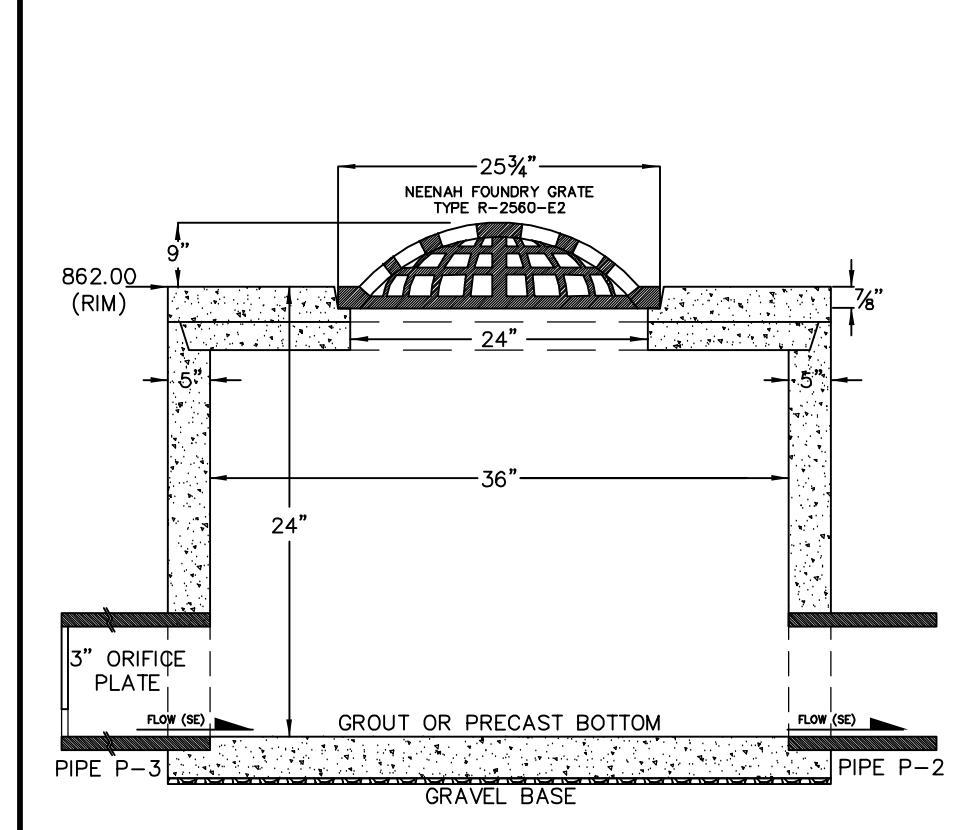
S-1 DETAIL



NOTES:
 1) TYPICAL LOCATION FOR INCOMING PIPE SHOWN. ALTERNATE INCOMING LOCATIONS FROM EITHER SIDE.
 2) CURB OUTLET STRUCTURE FRAME AND LID ARE NEEDHAM CASTING R-3331.
 3) MAY SUBSTITUTE PRECAST, ROUND CONCRETE STRUCTURE FOR THE SPECIFIED BOX STRUCTURE, WITH A FIELD POURED CONCRETE FLOOR.

CITY OF MADISON
 ENGINEERING DIVISION
 CURB OUTLET STRUCTURE
 STANDARD DETAIL DRAWING S.7.13

S-3 DETAIL



SCALE : 1 INCH = 30 FEET (24"x36")
 1 INCH = 60 FEET (11"x17")

LEGEND

- PROPOSED STORM SEWER
- PROPOSED WATER MAIN
- PROPOSED SANITARY SEWER
- EX. BURIED ELECTRIC
- EX. OVERHEAD TELEPHONE
- EX. BURIED GAS LINE
- EX. WATER MAIN
- EX. STORM SEWER
- EX. BURIED FIBER OPTIC LINE
- EX. BURIED TELEPHONE
- SM STORM MANHOLE
- WV WATER VALVE
- SI STORM "H" INLET
- DT DECIDUOUS TREE
- CP CONIFEROUS TREE
- HT HYDRANT
- LN LIGHT POLE
- SG SIGN

GENERAL NOTES:

CONTRACTOR SHALL OBTAIN ANY NECESSARY CONNECTION, PLUGGING, AND EXCAVATION PERMITS PRIOR TO CONSTRUCTION.

ALL GARAGE CATCH BASINS SHALL BE DRAINED TO SANITARY SEWER AND INSTALLED PER DEPARTMENT OF COMMERCE GUIDELINES.

PUBLIC SIDEWALK AT DRIVEWAY LOCATIONS SHALL BE 7" THICK.

UTILITY PATCHES FOR PROPOSED UTILITY SERVICES SHALL BE CONSTRUCTED PER CITY OF MADISON STANDARD SPECIFICATIONS FOR PUBLIC WORKS CONSTRUCTION.

ALL ROOF STORM WATER RUNOFF SHALL BE COLLECTED AND DISCHARGED INTO GRAVITY DRAIN STORM SEWER AT THE FRONT OF THE BUILDING.

ALL WORK WITHIN THE CITY RIGHT OF WAY SHALL BE PERFORMED BY A CITY LICENSED CONTRACTOR.

ALL SIDEWALK AND CURB & GUTTER DAMAGED DURING CONSTRUCTION SHALL BE REPLACED AS DETERMINED BY THE CITY ENGINEERING DEPARTMENT.

CONTRACTOR SHALL FIELD VERIFY THE SIZE, TYPE, LOCATION, AND ELEVATION OF EXISTING UTILITIES.

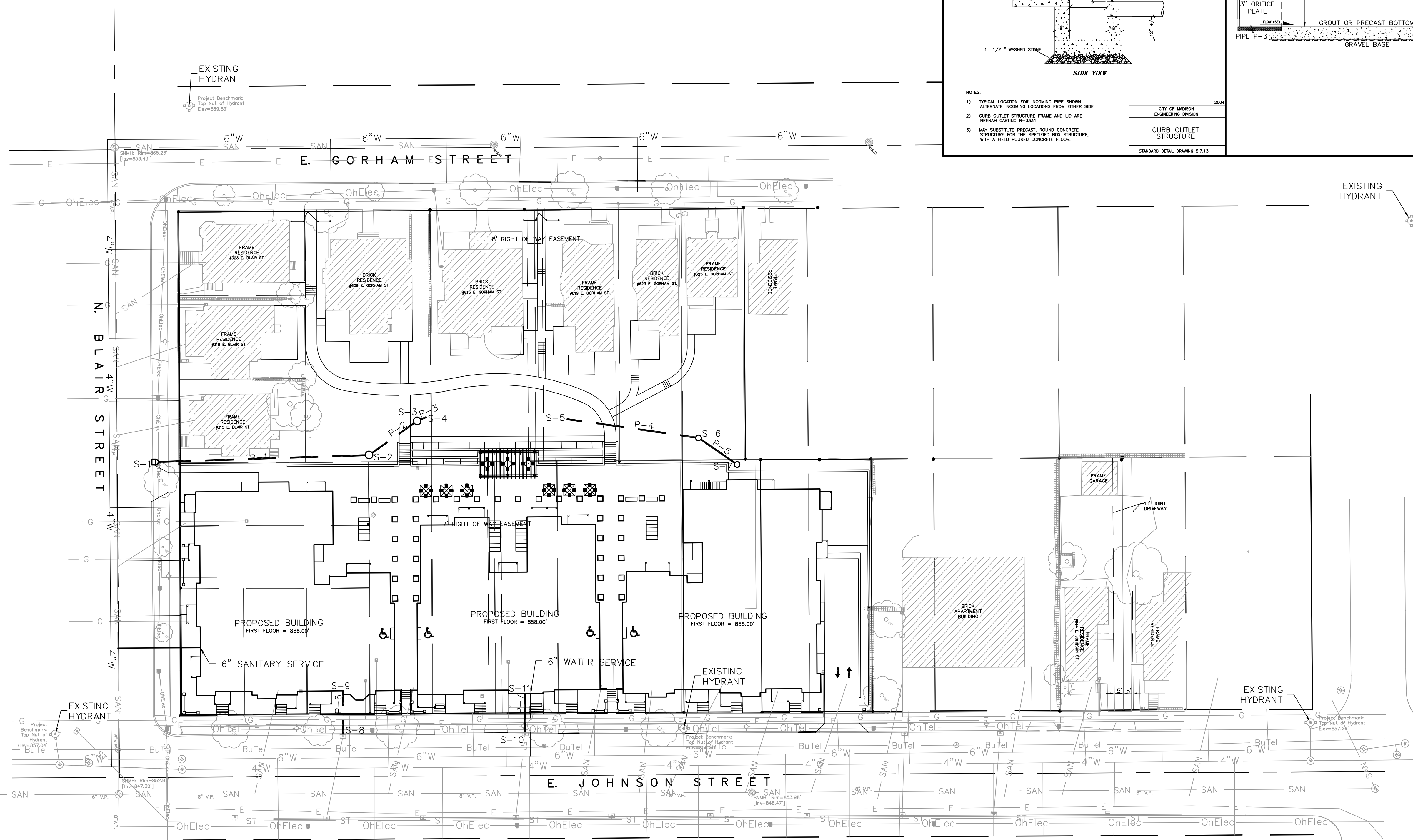
STORM SEWER SHALL BE PVC (ASTM D3034 - SDR 35).

PRIVATE WATER MAIN AND SERVICES SHALL BE DUCTILE IRON (AWWA C-151, CLASS 52).

PRIVATE SANITARY SEWER AND LATERALS SHALL BE PVC (ASTM D3034 - SDR 35).

BUILDING PLUMBER SHALL VERIFY SIZE AND EXACT LOCATION OF PROPOSED SANITARY LATERALS AND WATER SERVICES.

EXISTING WATER AND SANITARY LATERALS MUST BE PROPERLY ABANDONED PER CITY REQUIREMENTS.



Colkins Engineering, LLC
 5010 Voges Road
 Madison, WI 53718
 (608) 838-0444

DATE: 02-17-09

REVISIONS:

604-630 E. JOHNSON ST. & 309-323 N. BLAIR ST.
 609-625 E. GORHAM ST.
 UTILITY PLAN
 CITY ROW TOWNHOUSE APARTMENTS

DRAWING NAME : P:\PROJECTS\3\SHD01\DESIGN\SHD01-BASE.DWG
 FN: SHD01

Colkins Engineering,
 Civil Engineers & Land Surveyors