

Legend

- - - Existing Trails

Proposed Cannonball Path

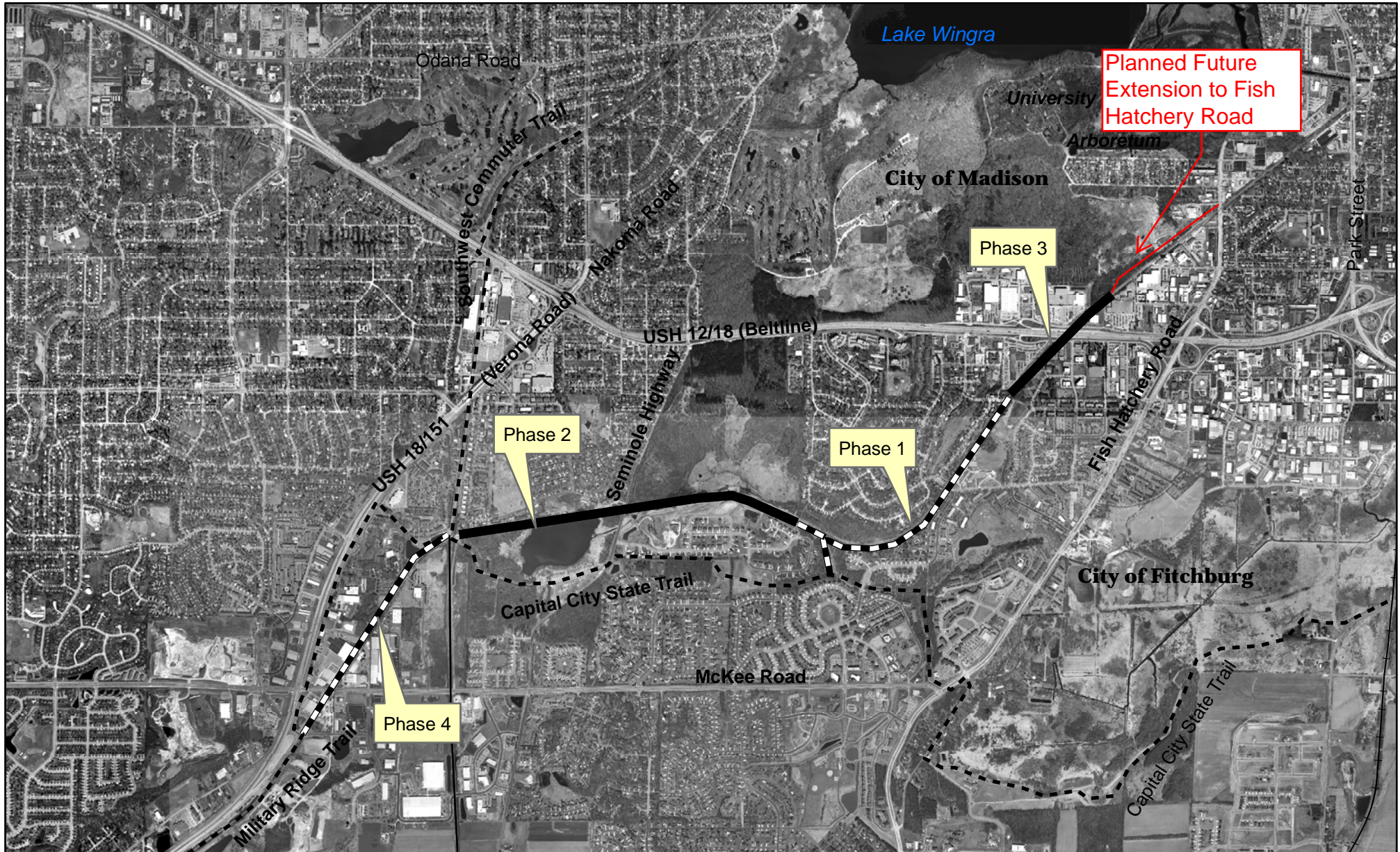
- Phase 2 and 3
- Phase 1 and 4



Cannonball Path



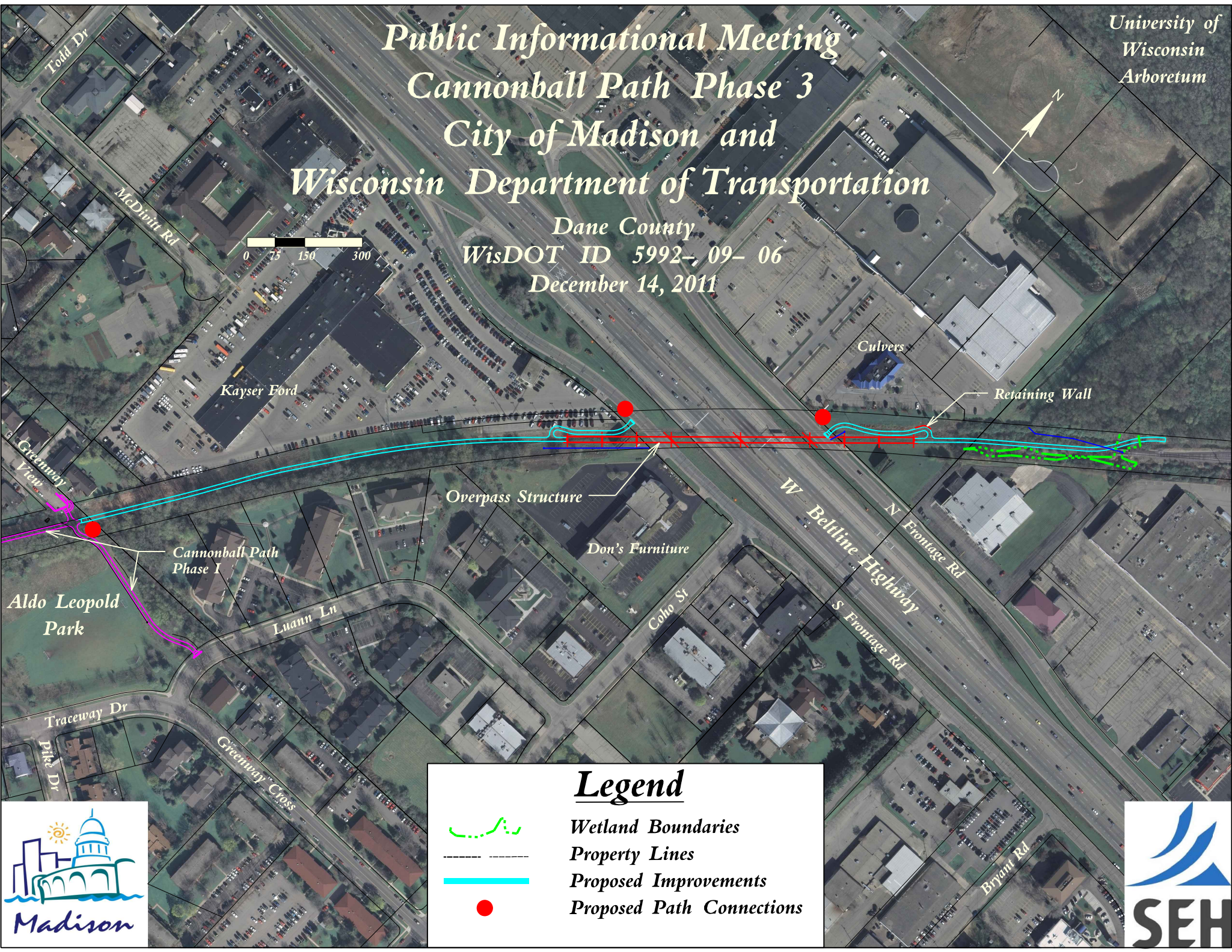
- Phase 1: Greenway View to Capital City Trail, Completed 2011
- Phase 2: Capital City Connector to SW Commuter Trail
- Phase 3: Greenway View to North of Frontage Rd.
- Phase 4: SW Commuter Trail to Military Ridge Trail



Public Informational Meeting Cannonball Path Phase 3 City of Madison and Wisconsin Department of Transportation

University of
Wisconsin
Arboretum

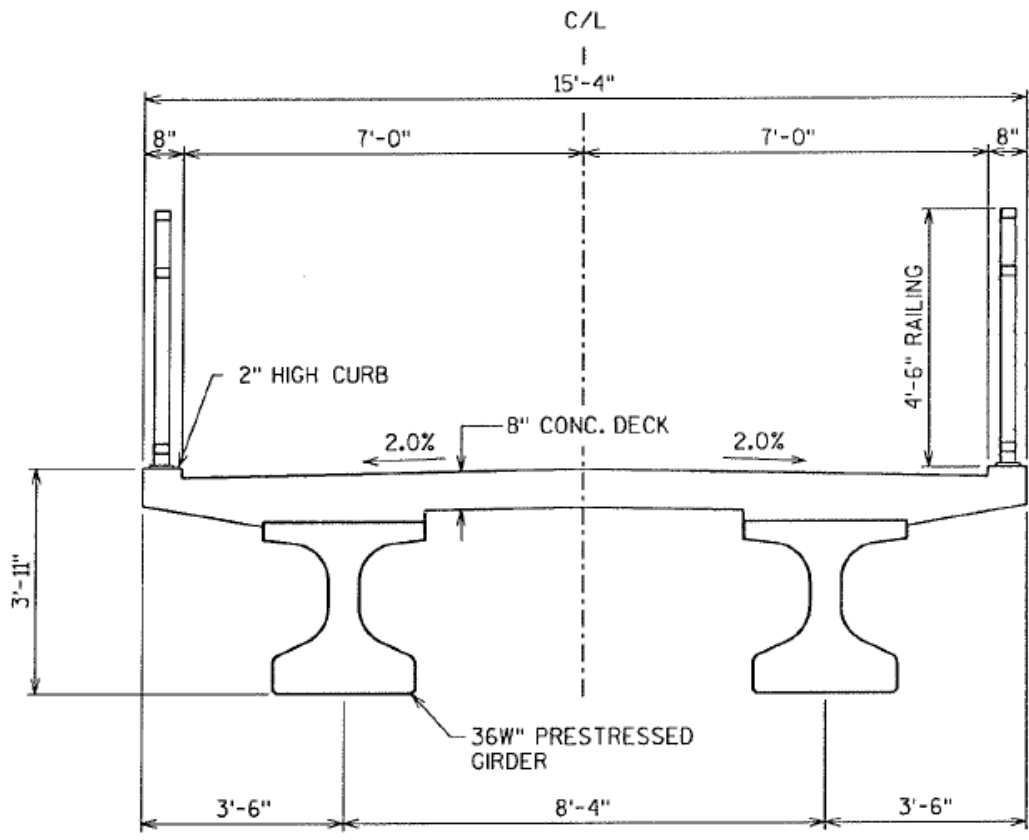
Dane County
WisDOT ID 5992-09-06
December 14, 2011



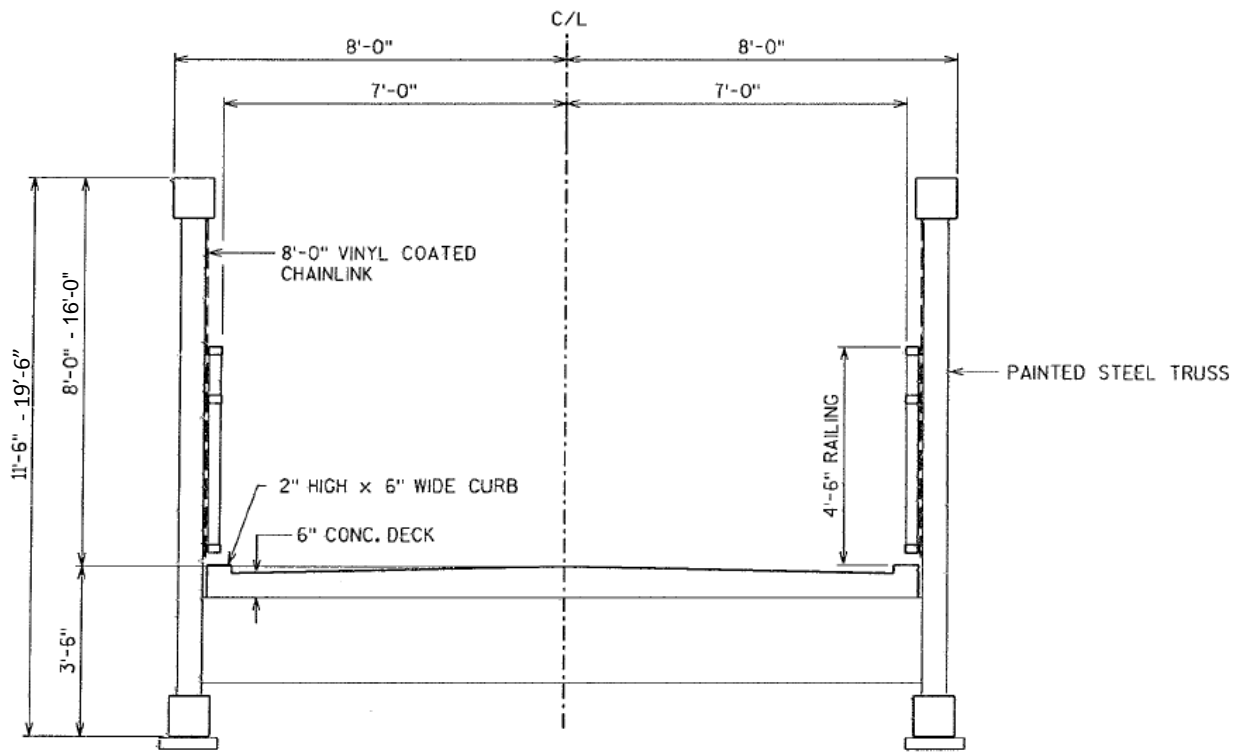
Legend

- Wetland Boundaries
- Property Lines
- Proposed Improvements
- Proposed Path Connections

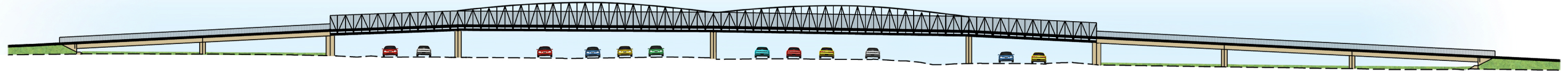




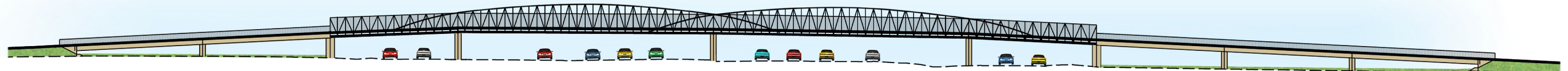
APPROACH SPANS



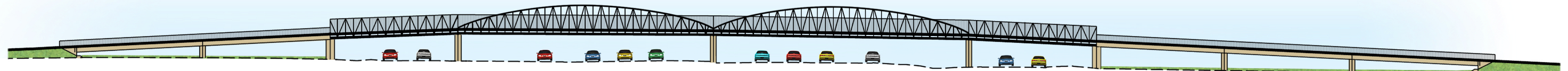
MAIN SPAN - LOW TRUSS



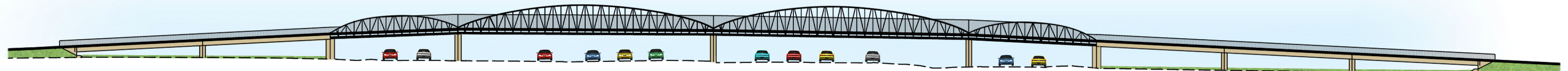
BOWSTRING/LOW TRUSS OPTION 2



BOWSTRING/LOW TRUSS OPTION 3



BOWSTRING/LOW TRUSS OPTION 4



BOWSTRING/LOW TRUSS OPTION 5

S:\K\W\Madis\108447\5-dsgn\51-cadd\Structural\bridge\108447pp8A.dgn





Bowstring Truss

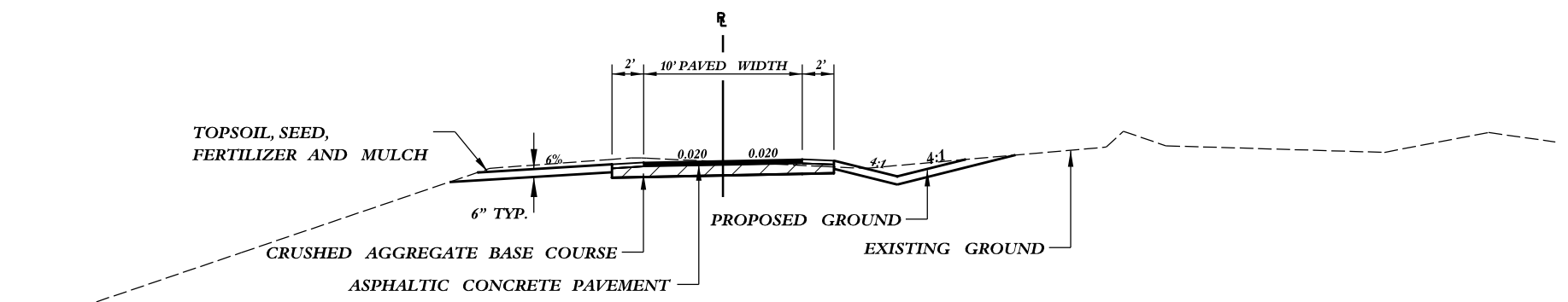


Bowstring Truss – North St. Paul, MN

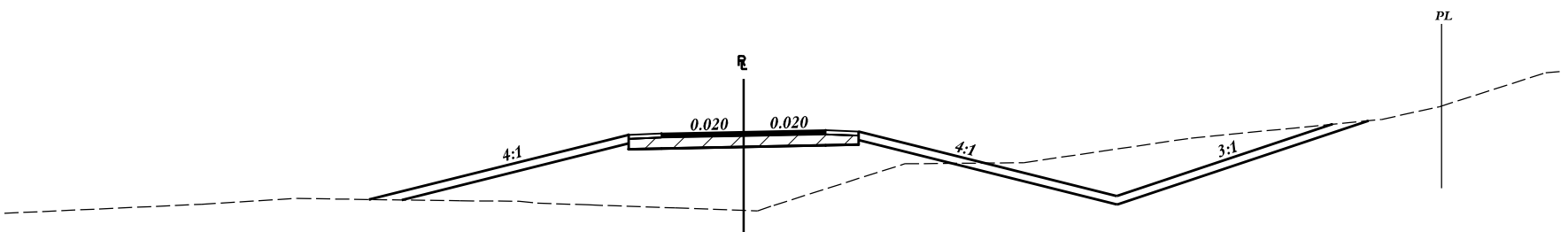


Under deck framing Bowstring truss

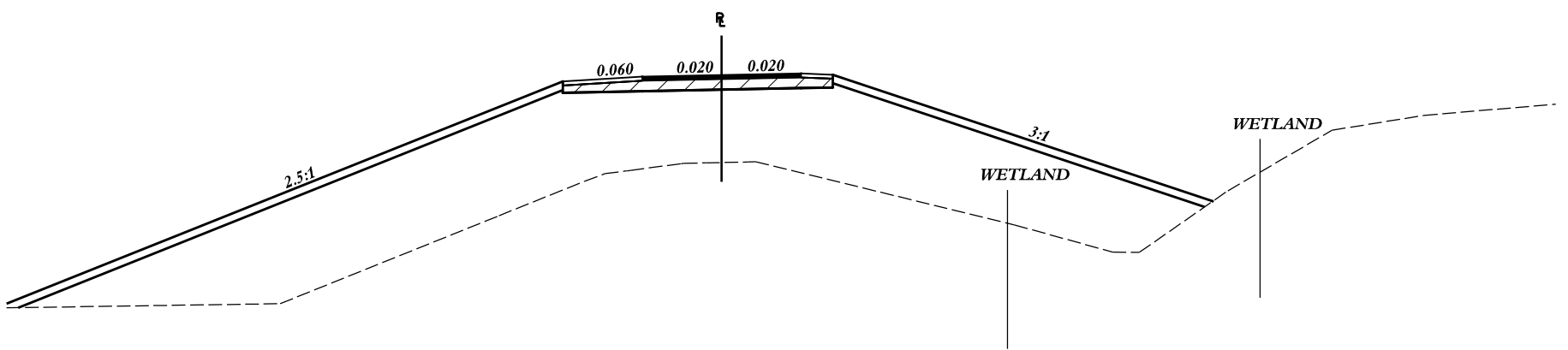
City of Madison – Cannonball Trail over the Beltline



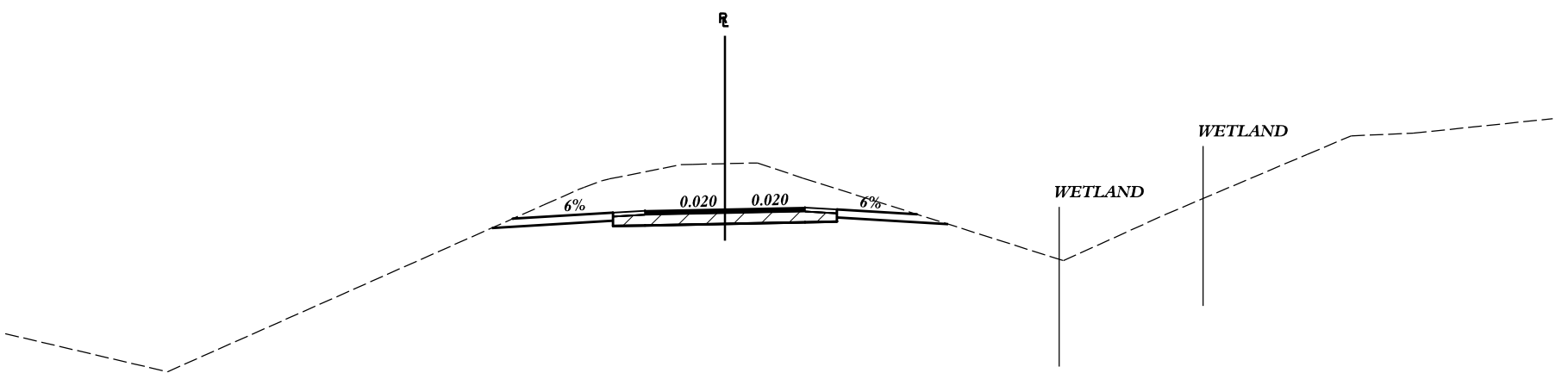
220 + 00



229 + 00



240 + 75



242 + 75

FINISHED TYPICAL SECTION

