

# ST. PAUL

University Catholic Center

*Fides et Ratio*  
Faith and Reason



---

Submittal to the City of Madison Urban Design Commission  
November 14, 2011

# BWZ

November 16, 2011

Attn: Al Martin  
Staff to the Urban Design Commission  
Department of Planning and Community & Economic Development  
City of Madison  
215 Martin Luther King Jr. Blvd.  
Madison, WI 53701

Re: St. Paul University Catholic Center  
723 State Street, Madison, WI 53706

Dear Al Martin,

On behalf of St. Paul University Catholic Center, we submit a request for the opportunity of an Initial Presentation to the Urban Design Commission at the Commission's meeting on December 7, 2011. We have included fourteen copies of rendered plans, elevations, and perspectives for the Commission's consideration. A description of the general purpose and intent of the project follows.

### **St. Paul University Catholic Center**

St. Paul University Catholic Center, which has been a major presence at the University of Wisconsin-Madison for more than 100 years, plans to build a church/student center facility on the UW campus. The proposed St. Paul University Catholic Center will enable St. Paul's to better serve the university and greater Madison community.

- The new facility will serve as a center of student life on campus, blending faith, community and academic aspects of the university experience.
- The proposed facility is 6 stories tall. Features, based on feedback from students, City Agencies, and the community, include:
  - A 580-seat multilevel chapel incorporating reclaimed elements of original 1909 chapel.
  - A student center with private study space, small- and large-group gathering space, and music rooms.
  - Office, conference, work, and library facilities.
  - Dining/multi-purpose hall.
  - Residential space for resident priests, priests in training and visiting scholars.
  - Exterior patios overlooking State Street and the interior of the block.
- The cost of the new facility is estimated at \$25 million and is expected to be raised from a small group of benefactors who have long supported joint church/student center projects. Groundbreaking is anticipated in the next two to three years.

### **St. Paul's Ministry**

- St. Paul's is the birthplace of the campus Catholic ministry in the United States. UW's Catholic campus ministry was formed in 1883, and graduates who were part of this group started the "Newman Movement," designed to serve Catholics on college campuses. The initial St. Paul's Chapel was built in 1909, the first Catholic chapel built specifically to serve students at a public university. The chapel and student center were renovated in 1967, with a contemporary concrete expression.
- Student involvement in St. Paul's has grown significantly over the past 10 years and has far exceeded the ability of the existing facility to meet these present and expanding needs. The current facility, parts of which date back to the late 1800s, is severely outdated, cramped and in need of major upgrades.
- St. Paul's serves thousands of UW students annually. Approximately 1,000 students attend Sunday Mass, and hundreds are actively involved in other St. Paul programs – ranging from small group sessions to national service projects. Additionally, St. Paul's hosts dances, a theater arts program, a speaker series and concerts designed to appeal to all students and community members, extending the university's reach beyond its campus borders. The new facility will allow for expansion of those programs together with augmented educational programs.

### **Architectural Expression**

- The proposed building design represents a "new classicism", combining traditional Catholic forms and symbolism with a modern energy. It complements the surrounding university buildings, which mix both traditional and contemporary styles of architecture. The State Street church façade acknowledges the scale and character of the adjacent Pres House Church while the façade above steps back to maintain the scenic, uninterrupted views between Bascom Hill and the Capitol Square. The height, mass and style and detail make an architectural and institutional statement without being over imposing.
- Proposed materials include predominately face brick with natural and cast stone spandrels and trim elements.

PUD Text and a Table of Contents is attached to this letter. Please call or email with any questions regarding this submittal. We look forward to meeting with you and members of the Commission at the December 7th meeting to present the new St. Paul University Catholic Center.

Sincerely,

A handwritten signature in black ink, appearing to be "R. J. [unclear]", written in a cursive style.

BWZ Architects  
Project Contact

## **Planned Unit Development Text**

### **Project Team:**

Owner	Fr. Eric Nielsen St. Paul's University Catholic Center 723 State Street Madison, WI 53704 608-258-31408
Project Manager	Mark Landgraf Landgraf Construction 5964 Executive Drive Madison, WI 53719 608-274-9470
Architect	Randall Milbrath, AIA Robert Krupa, AIA RDG Planning & Design 900 Farnam on the Mall, Suite 100 Omaha, NE 68102 402-392-0133
Liturgical Designer	Matthew Alderman Mathew Alderman Studios matthew@matthewalderman.com
Civil Engineering	Michelle L. Burse Burse Surveying & Engineering 1400 East Washington Ave, Ste 158 Madison, WI 53703 608-250-9263
Facilitator	Ronald M. Trachtenberg Murphy Desmond S.C. 33 East Main Street, Suite 500 Madison, WI 53701-2038 608-268-5575
Contractor	Eric Schmidt CG Schmidt, Inc 10 East Doty Street, Ste 615 Madison, WI 53703 608-255-1177

**Legal Description of Property:**

PROPERTY ADDRESS: 723 State St  
Parcel Number: 070923204021  
UNIV ADD TO MADISON, LOT 2, BLOCK 5

Existing Zoning: R6

Aldermanic District 8, represented by Ald. Scott Resnick

**Key Project Attributes:**

Lot Size: 11,353 SF

Proposed Construction:	Primary Function	Floor Area
Basement Floor:	Dining	9,893 SF
First Floor:	Student Center (incl. garage area)	10,502 SF
Second Floor	Chapel Main Level	9,095 SF
Third Floor	Upper Chapel	6,593 SF
Fourth Floor	Administration & Meeting	9,121 SF
Fifth Floor	Residential-Clergy (incl. balconies)	8,820 SF
Sixth Floor	Murphy Room (incl. roof garden/balconies)	8,690 SF
	<b>Total Building Area</b>	<b>62,714 SF</b>

**Parking Summary:**

The St. Paul University Catholic Center is located in the heart of the UW Madison Campus. It serves primarily walk-in students. Most visitors who drive will park in the City of Madison Lake Street Parking Ramp, only a half block removed. Two parking spaces are provided on site as noted below as well as 30 bicycle and moped parking spaces.

ADA Parking	1
<u>Delivery Parking</u>	<u>1</u>
Total vehicular Parking on Site	2

Bicycle & Moped Parking 30

**St. Paul University Catholic Center**

**Table of Contents**

Tab 0 Letter of Interest  
Planned Unit Development Text  
Table of Contents  
UDC Application Form

Tab 1 Site and Landscape Plans

Tab 2 Floor Plans

Tab 3 Images

Tab 4 Shadow Studies

Tab 5 Lighting

Tab 6 Staging Plan

**APPLICATION FOR  
URBAN DESIGN COMMISSION  
REVIEW AND APPROVAL**

**AGENDA ITEM #** \_\_\_\_\_

**Project #** \_\_\_\_\_

	<b>Action Requested</b>
DATE SUBMITTED: <u>11/16/2011</u>	<input type="checkbox"/> Informational Presentation
UDC MEETING DATE: <u>12/07/2011</u>	<input checked="" type="checkbox"/> Initial Approval and/or Recommendation
	<input type="checkbox"/> Final Approval and/or Recommendation

PROJECT ADDRESS: 723 State Street, Madison

ALDERMANIC DISTRICT: 8

OWNER/DEVELOPER (Partners and/or Principals) ARCHITECT/DESIGNER/OR AGENT:

St. Paul's University Catholic Center

RDG Planning & Design

723 State Street, Madison, WI 53703

900 Farnam on the Mall, Suite 100, Omaha, NE

Fr. Eric Nielsen

Robert Krupa, AIA, Partner

CONTACT PERSON: Robert Shipley, AIA, BWZ Architects

Address: 2211 Parmenter St., Middleton, WI 53562

Phone: 608 831 2900

Fax: 609 831 5800

E-mail address: bshipley@bwzarchitects.com

**TYPE OF PROJECT:**

(See Section A for:)

- Planned Unit Development (PUD)
- General Development Plan (GDP)
- Specific Implementation Plan (SIP)
- Planned Community Development (PCD)
- General Development Plan (GDP)
- Specific Implementation Plan (SIP)
- Planned Residential Development (PRD)
- New Construction or Exterior Remodeling in an Urban Design District \* (A public hearing is required as well as a fee)
- School, Public Building or Space (Fee may be required)
- New Construction or Addition to or Remodeling of a Retail, Hotel or Motel Building Exceeding 40,000 Sq. Ft.
- Planned Commercial Site

(See Section B for:)

- New Construction or Exterior Remodeling in C4 District (Fee required)

(See Section C for:)

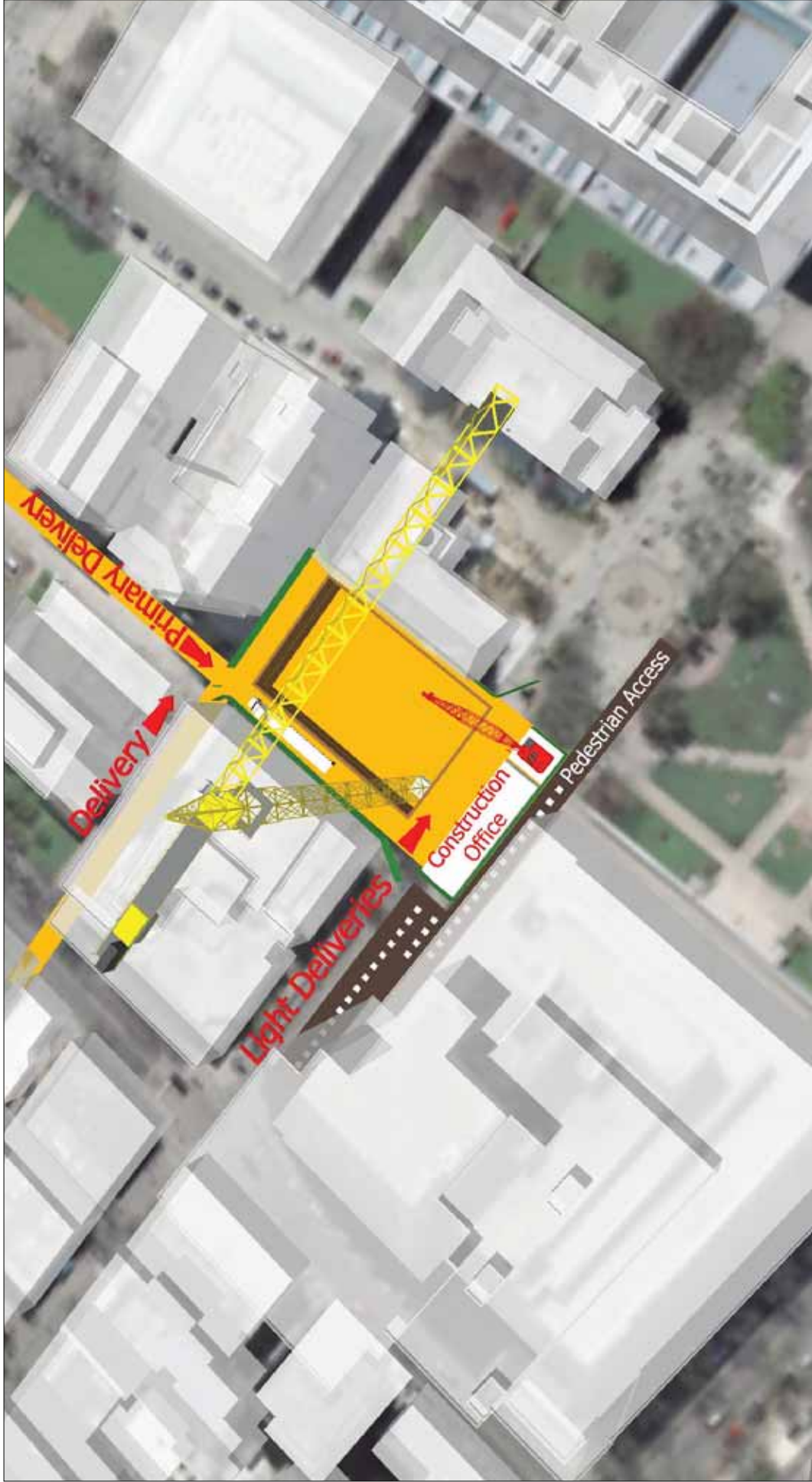
- R.P.S.M. Parking Variance (Fee required)

(See Section D for:)

- Comprehensive Design Review\* (Fee required)
- Street Graphics Variance\* (Fee required)
- Other \_\_\_\_\_

\*Public Hearing Required (Submission Deadline 3 Weeks in Advance of Meeting Date)

Where fees are required (as noted above) they apply with the first submittal for either initial or final approval of a project.



# ST. PAUL University Catholic Center

Construction Staging Plan

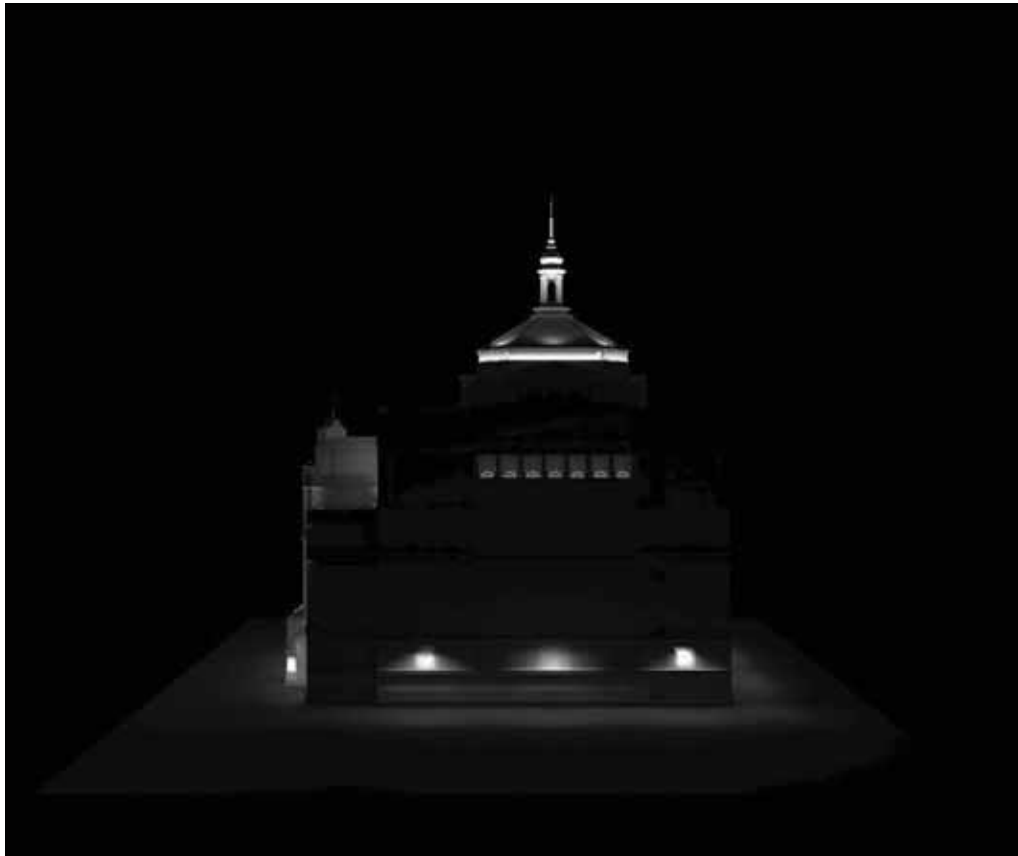
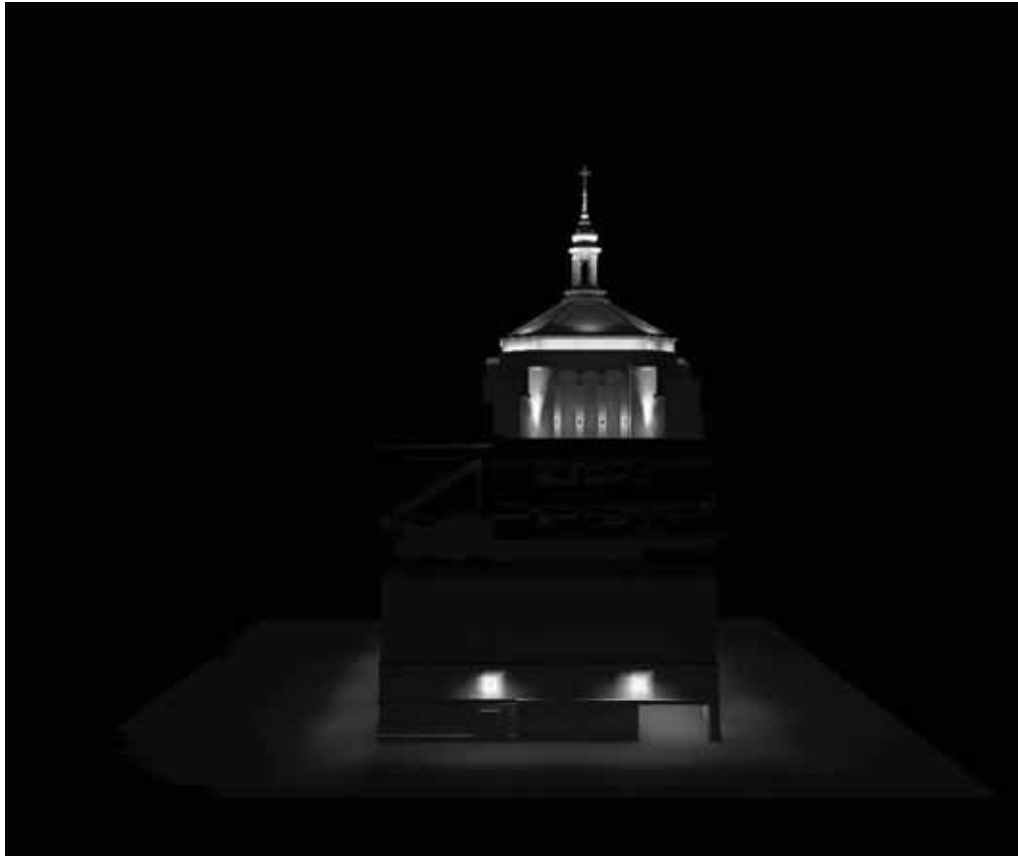
November 14, 2011

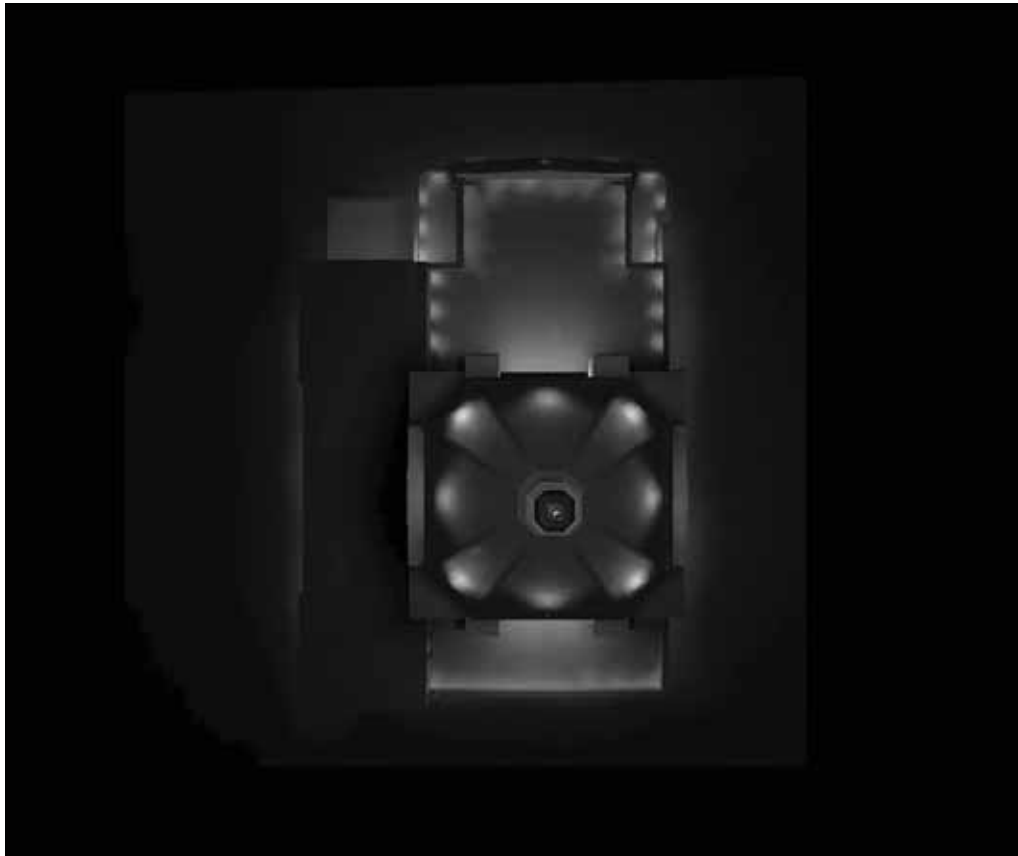








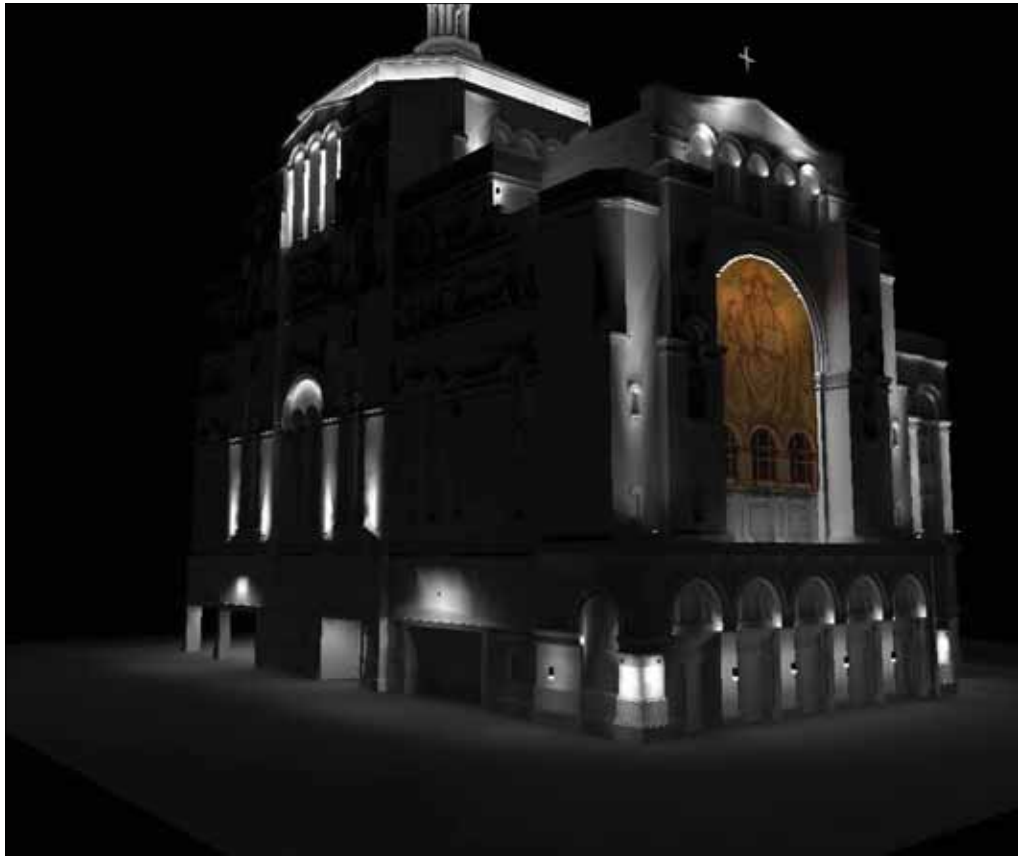








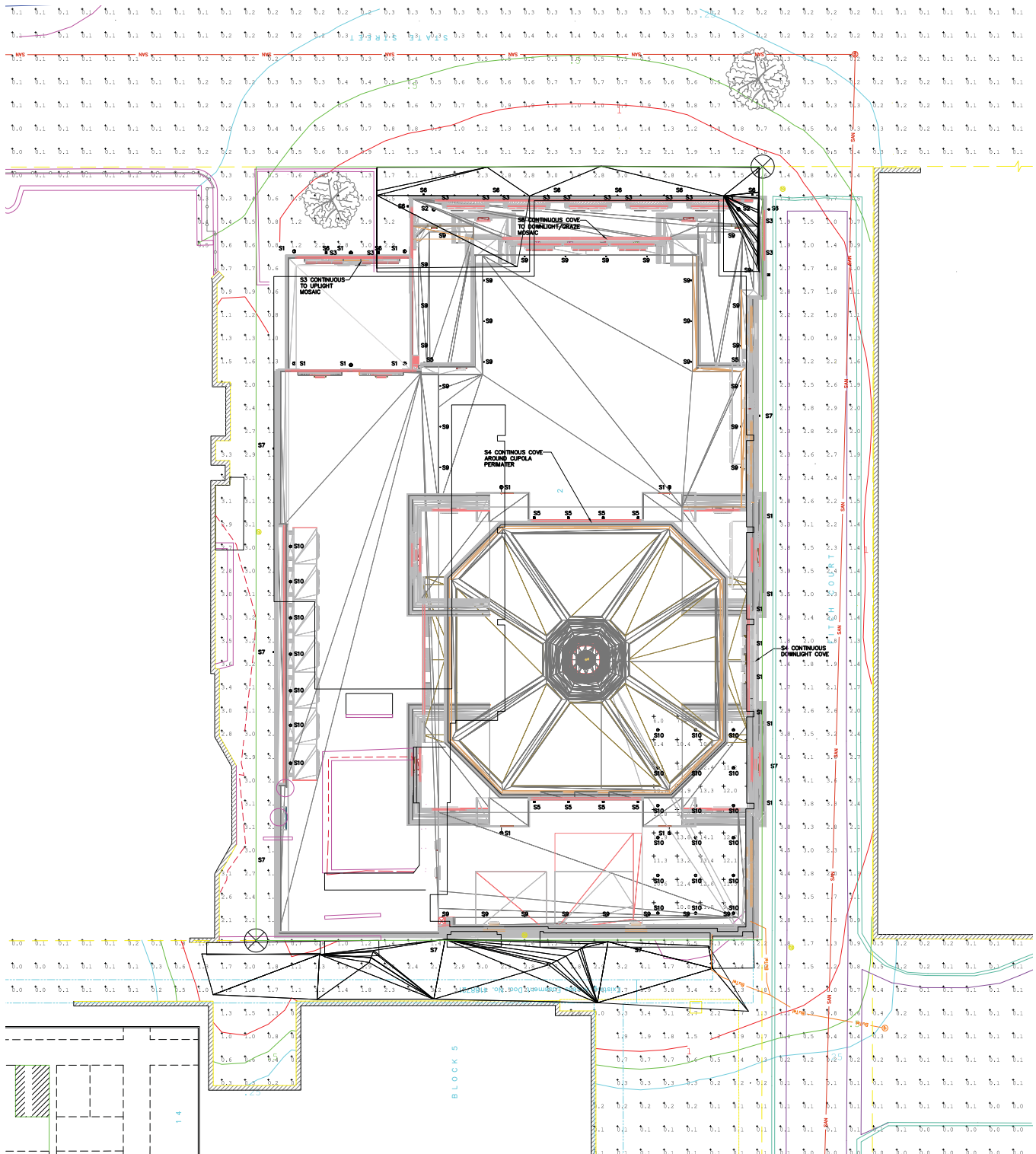












## LUMINAIRE SCHEDULE

<b>MOUNTING: (MTG)</b> RE - RECESSED SP - SUSPENDED CL - CEILING SURFACE WL - WALL UC - UNDER CABINET CV - COVE PL - POLE O - OTHER (SEE DESCRIPTION)	<b>LAMP TYPE:</b> FL - FLUORESCENT CF - COMPACT FLUORESCENT HL - HALOGEN IN - INCANDESCENT LED - LIGHT EMITTING DIODE HS - HIGH PRESSURE SODIUM MH - METAL HALIDE SMH - SUPER METAL HALIDE PSMH - PULSE START METAL HALIDE CMH - CERAMIC METAL HALIDE O - OTHER (SEE DESCRIPTION) XL - EXTENDED LIFE XLP - EXTENDED LIFE & OUTPUT	<b>LENS/LOUVER: (L/L)</b> A - .125" ACRYLIC B - BLACK BAFFLE C - CLEAR ALZAK D - PARABOLIC F - FRESNEL G - TEMPERED GLASS H - WALL WASHER P - POLYCARBONATE K - KSH12 .125" ACRYLIC K19 - KSH19 .156" ACRYLIC L - LOW IRIDESCENT SPECULAR ALUM. N - NONE R - HIGH IMPACT DR ACRYLIC O - OTHER (SEE DESCRIPTION)
<b>DOOR:</b> FA - FLAT ALUMINUM FS - FLAT STEEL RA - REGRESSED ALUMINUM RS - REGRESSED STEEL	<b>BALLAST: (BLS)</b> DIM - DIMMING BALLAST EB - ELECTRONIC BALLAST EM - EMERGENCY BATTERY/BALLAST DALI - DIGITAL DIMMING BALLAST	##BF - BALLAST FACTOR HL - HIGH / LOW LEVEL BALLAST HP - HIGH PERFORMANCE-LOW BALL. FACTOR ML - MULTI-LEVEL SWITCHING MV - MULTI-VOLTAGE ELECTRONIC
<b>FINISH:</b> PAF - PAINT AFTER FABRICATION CSA - FINISH SELECTION BY ARCHITECT		

CATALOG NUMBER SHALL NOT BE CONSIDERED COMPLETE AND MATERIAL SHALL NOT BE ORDERED BY MANUFACTURER AND CATALOG NUMBER ONLY THE COMPLETE DESCRIPTION AND THE SPECIFICATION SHALL BE COORDINATED WITH THE CATALOG NUMBER TO DETERMINE THE EXACT MATERIAL AND ACCESSORIES TO BE ORDERED. THE FIRST MANUFACTURER LISTED IS THE BASIS FOR DESIGN. REFER TO SPECIFICATION SECTIONS LIGHTING 26 51 00 FOR ADDITIONAL INFORMATION AND REQUIREMENTS.

ALL LAMPS FOR THIS PROJECT SHALL BE FURNISHED AND INSTALLED BY THE ELECTRICAL CONTRACTOR UNLESS OTHERWISE NOTED. FLUORESCENT LAMP CORRELATED COLOR TEMPERATURE 2700°K. COLOR RENDERING INDEX (CRI) AT OR ABOVE 80, UNLESS NOTED OTHERWISE.

ITEM	DESCRIPTION	NOMINAL		TYPE	LAMPS		VOLTS / BLS	L/L	APPROVED MANUFACTURER
		SIZE	MTG		QUANTITY & SIZE				
S1	KNUCKLE MOUNTED EIGHT DEGREE SPOTLIGHT, DIMMABLE WITH DMX OR 0-10V CONTROL. WET LOCATION LISTED. PROVIDE WITH 45 DEGREE GLARE SHIELD AND HONEYCOMB LOUVER. GRAY FINISH.	6.4" DIA 10.7"H 6.8"D	O	LED	1 30 WATT 1168 INITIAL LUMEN 2700K 82 CRI		277V	O	COLOR KINETICS EW BURST 523-000036-00 120-000103-01 120-000104-00 GARDCO DFL7-DIM-J-NSP-35- WW-UNV-FINISH AAL OCCULUS SMALL
S2	NARROW SPOT KNUCKLE MOUNTED FLOODLIGHT WITH INTEGRAL CUTOFF HOOD. WET LOCATION LISTED. FINISH SELECTION TO BE DETERMINED.	16.8"W 9.9"H 9.9"D	O	LED	1 75 WATT 5524 INITIAL LUMEN 3000K 84 CRI		277V	O	GARDCO DFL7-DIM-J-NSP-75- WW-UNV-FINISH
S3	SIX-INCH LINEAR COVE LIGHT, DIMMABLE VIA DMX OR 0-10V CONTROL. WET LOCATION LISTED.	6"L 1.4" DIA	CV	LED	1 1.5 WATT 38 INITIAL LUMEN 2700K 83 CRI		120V	N	COLOR KINETICS EW COVE EC POWERCORE
S4	TWELVE-INCH LINEAR COVE LIGHT, DIMMABLE VIA DMX OR 0-10V CONTROL. WET LOCATION LISTED. PROGRAM TO OPERATE AT 50% MAXIMUM TO MEET ENERGY CODE REQUIREMENTS.	12"L 1.4" DIA	CV	LED	1 3 WATT 140 INITIAL LUMEN 2700K 82 CRI		120V	N	COLOR KINETICS EW COVE EC POWERCORE
S5	SMALL DECORATIVE EXTERIOR SCENCE. LUMINAIRE TO HAVE OPACITY TO DIFFUSE LIGHT SOURCE FROM DIRECT VIEW. FINISH TO BE DETERMINED. RELABEL UL LISTING FOR MAXIMUM 20 WATT LAMPING.	TBD	WL	LED	1 12 WATT EDISON BASE LED 800 INITIAL LUMEN 2700K 80 CRI		277V EB	O	DECORATIVE DETAILS TO BE DETERMINED.  MODEL IES FILE: SHAPER 672-WP-CF27
S6	MEDIUM DECORATIVE EXTERIOR SCENCE. LUMINAIRE TO HAVE OPACITY TO DIFFUSE LIGHT SOURCE FROM DIRECT VIEW. FINISH TO BE DETERMINED.	TBD	WL	CF	1 40 WATT FT40/2G11		277V EB	O	DECORATIVE DETAILS TO BE DETERMINED.  MODEL IES FILE: VISA QW1302-FT40
S7	FULL CUTOFF UTILITY WALL PACK. TWO CIRCUITS FOR BI-LEVEL CONTROL. TYPE II DISTRIBUTION. WET LOCATION LISTED. TO BE MOUNTED BETWEEN 9' AND 14' ABOVE FINISHED GRADE. FINISH SELECTION TO BE DETERMINED.	16.3"W 7"H 9" EXT	WL	LED	1 35 WATT 2883 INITIAL LUMENS 3500K 75 CRI		277V	G	GARDCO 101-DCC-2-35LA-WW- UNIV-FINISH LUMARK LITHONIA
S8	10 DEGREE X 60 DEGREE LINEAR LED WALL GRAZER. DIMMABLE VIA DMX OR 0-10V CONTROL. WET LOCATION LISTED. LENGTHS SHOWN IN 12" INCRIMENTS FOR CLARITY. MINIMIZE QUANTITIES FOR CONSTRUCTION.	2.8" DIA 12"L	CV	LED	1 15 WATT 404 INITIAL LUMEN 2700K 84 CRI		277V	O	COLOR KINETICS EW GRAZE POWERCORE
S9	FULL CUTOFF EYELID STEPLIGHT. WET LOCATION LISTED. MOUNT AT 18" AFF TO CENTER OF LUMINAIRE. COORDINATE BACK-BOX MOUNTING REQUIREMENT AND FINISH SELECTION WITH ARCHITECT.	5"W 5.6"H 2.3"EXT	WL	LED	1 4 WATT 3000K 85 CRI		120V	O	GARDCO 963C-S-4-UNIV-FINISH
S10	LED DOWNLIGHT, 6" APERTURE, MATTE CLEAR REFLECTOR WITH WHITE TRIM RING.	7.5"H 7.5"W 12.5"L	RE	LED	1 11 WATT 650 INITIAL LUMEN 2700K 90 CRI		120V	O	CREE LR6

All exterior LED lighting will be controlled via photocell and astronomical timeclock. The intent is for luminaires to turn on at twilight (via photocell) and run at 80% to full until 10 pm. At 10 pm, lights will dim to 50-80%. Lights will extinguish at sunrise (via photocell). Fluorescent sources will not have dimming control. They will operate via photocell only.

# Photometric Report

CATALOG NUMBER: EW BURST POWERCORE 2700K CLEAR

Monday, November 07, 2011

FILENAME: S1 ALT\_EW\_BURST\_POWERCORE\_2700K\_8D\_LTL18416\_030910.IES

[IESNA] LM-63-2002  
[TEST] 18416  
[TESTLAB] LUMINAIRE TESTING LABORATORY, INC.  
[ISSUE DATE] 03-08-2010  
[MANUFAC] PHILIPS COLOR KINETICS  
[LUMCAT] EW BURST POWERCORE 2700K CLEAR  
[LUMINAIRE] CAST GRAY ENAMEL ALUMINUM HOUSING, CLEAR GLASS ENCLOSURE  
[MORE] WITH CAST GRAY ENAMEL ALUMINUM LOWER CUTOFF SHIELD.  
[LAMP] 19 WHITE LEDS WITH CLEAR PLASTIC OPTICS WITH PATTERNED  
[MORE] CENTERS  
[BALLAST] LED POWER SUPPLY: ONE PCB-000446-00 REV04  
[OTHER] ELECTRICAL VALUES: 120.0VAC, 0.2492A, 29.27W, PF=0.978  
[OTHER] NOTE: THIS TEST WAS PERFORMED USING THE CALIBRATED

## SUMMARY DATA

EFFICIENCY (Total): 100.0 %  
EFFICIENCY (Downlight): 100.0 %  
EFFICIENCY (Uplight): 0.0 %  
CIE CLASSIFICATION: DIRECT  
SPACING CRITERION (90-Deg.): 0.13  
LUMENS/LAMP: 1165.382  
NO. OF LAMPS: 1  
LUMINOUS OPENING: VERTICAL CYLINDER  
Diameter: 0.53 (Feet)  
Height: 0.10  
INPUT WATTS: 29.3

## ZONAL LUMEN SUMMARY

<u>Zone</u>	<u>Lumens</u>	<u>% Lamp</u>	<u>% Luminaire</u>
0 - 30	1093.4	93.8	93.8
0 - 40	1133.4	97.3	97.3
0 - 60	1164.6	99.9	99.9
60 - 90	0.8	0.1	0.1
0 - 90	1165.4	100.0	100.0
90 - 180	0.0	0.0	0.0
0 - 180	1165.4	100.0	100.0

Reported data calculated from manufacturer's data file, based on IESNA recommended methods.

Photometric Viewer v3.4

AcuityBrands  
Lighting

# Photometric Report

Monday, November 07, 2011

CATALOG NUMBER: A2/B1-05

FILENAME: S10\_LR6 AND LR6C.IES

IESNA:LM-63-2002  
[TEST] 22226  
[TESTLAB] LIGHTING SCIENCES INC  
[MANUFAC]LED LIGHTING FIXTURES - RECESSED LED LUMINAIRE  
[ISSUEDATE] 1-MAR-2007  
[LUMCAT]A2/B1-05  
[LUMINAIRE]WITH WHITE TRIM AND RECESSED WHITE PLASTIC LENS  
[LAMP]LEDS. LUMEN RATING = 648 LMS.  
[OTHER]OPERATING AT 120 VAC AND 11.5 WATTS

## SUMMARY DATA

EFFICIENCY (Total): 100.2 %  
EFFICIENCY (Downlight): 100.2 %  
EFFICIENCY (Uplight): 0.0 %  
CIE CLASSIFICATION: DIRECT  
SPACING CRITERION (0-Deg.): 1.29  
LUMENS/LAMP: 647  
NO. OF LAMPS: 1  
LUMINOUS OPENING: CIRCULAR  
Diameter: 0.44 (Feet)  
INPUT WATTS: 11.5  
TER - Task Efficacy (LPW): 48 (BF = 1 )  
TER Category: Downlight, Commercial

## ZONAL LUMEN SUMMARY

<u>Zone</u>	<u>Lumens</u>	<u>% Lamp</u>	<u>% Luminaire</u>
0 - 30	196.8	30.4	30.3
0 - 40	323.7	50.0	49.9
0 - 60	553.5	85.5	85.3
60 - 90	95.1	14.7	14.7
0 - 90	648.5	100.2	100.0
90 - 180	0.0	0.0	0.0
0 - 180	648.5	100.2	100.0

Reported data calculated from manufacturer's data file, based on IESNA recommended methods.

Photometric Viewer v3.4

AcuityBrands  
Lighting

# Photometric Report

CATALOG NUMBER: DFL7-NSP-75LA-NW

Monday, November 07, 2011

FILENAME: S2 ALT\_GARDCO\_DFL7-NSP-75LA-NW.IES

IESNA:LM-63-2002  
 [TEST] 11-9309  
 [TESTLAB] PHILIPS Lighting - San Marcos  
 [ISSUE DATE] 4/12/2011  
 [MANUFAC] PHILIPS GARDCO  
 [LUMCAT] DFL7-NSP-75LA-NW  
 [LUMINAIRE] DESIGNER LED FLOOD  
 [LAMP] (1) LIGHT ARRAY OF 32 LEDs DRIVEN AT 700mA  
 [OTHER] DATA SHOWN IS ABSOLUTE PHOTOMETRY AT RATED INPUT  
 [OTHER] 5524 ABSOLUTE LUMENS DELIVERED  
 [OTHER] TESTED IN COMPLIANCE WITH LM-79-08 PROCEDURES

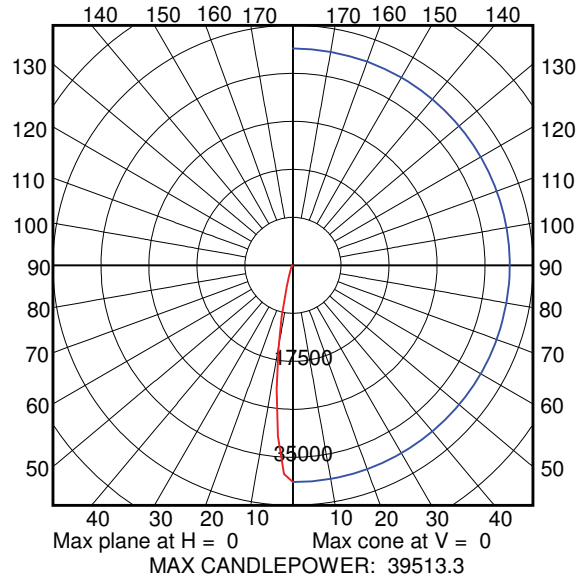
**SUMMARY DATA**

EFFICIENCY (Total): 100.0 %  
 EFFICIENCY (Down / Up): 100.0 % / 0.0 %  
 EFFICIENCY (Street / House): 50.0 % / 50.0 %  
 ROADWAY CLASSIFICATION: TYPE VS,  
 CUTOFF CLASSIFICATION: FULL CUTOFF  
 LUMENS/LAMP: 5466.479  
 NO. OF LAMPS: 1  
 LUMINOUS OPENING: RECTANGULAR  
     Width: 0.00 (Feet)  
     Length: 0.00  
     Height: 0.00  
 INPUT WATTS: 73.4

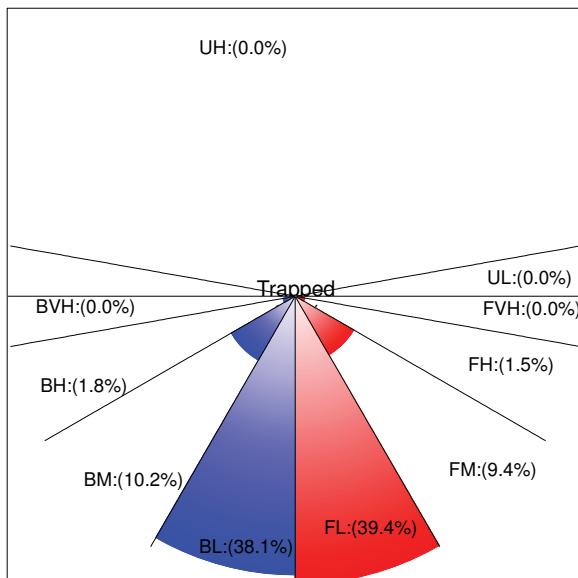
**LUMINAIRE CLASSIFICATION SYSTEM  
 (BUG RATING = B3-U0-G0)**

FORWARD LIGHT	Lumens (% of Lamp Lumens)	
FL (0-30):	2153	(39.4%)
FM (30-60):	511	(9.4%)
FH (60-80):	81	(1.5%)
FVH(80-90):	0	(0.0%)
BACKLIGHT		
BL (0-30):	2083	(38.1%)
BM (30-60):	558	(10.2%)
BH (60-80):	100	(1.8%)
BVH(80-90):	0	(0.0%)
UPLIGHT		
UL (90-100):	0	(0.0%)
UH (100-180):	0	(0.0%)
TRAPPED LIGHT:	0	(0.0%)

**PLANE & CONE DIAGRAM**



**ISO-ILLUMINANCE DIAGRAM (fc)**



Reported data calculated from manufacturer's data file, based on IESNA recommended methods.

Photometric Viewer v3.4



# Photometric Report

CATALOG NUMBER: 523-000005-60

Monday, October 31, 2011

FILENAME: S3\_EW\_COVE\_EC\_POWERCORE\_2700K\_6IN\_ITL64059\_012610.IES

[IESNA]LM-63-2002  
[TEST]ITL64059  
[TESTLAB]INDEPENDENT TESTING LABORATORIES, INC.  
[ISSUE DATE]01/22/10  
[MANUFAC]PHILIPS COLOR KINETICS  
[LUMCAT]523-000005-60  
[LUMINAIRE]MOLDED PLASTIC HOUSING, ONE WHITE CIRCUIT BOARD WITH 3 LEDS,  
[MORE]TRANSLUCENT WHITE PLASTIC DROP LENS.  
[LAMP]THREE WHITE LIGHT EMITTING DIODES (LEDS), EACH WITH CLEAR  
[MORE]SEMI-HEMISPHERICAL INTEGRAL PLASTIC LENS, VERTICAL BASE-UP  
[MORE]POSITION.  
[OTHER]TOTAL INPUT WATTS = 1.20 AT 120.0 VOLTS  
[MORE]VOLTAGE (120VAC, 60Hz) TO THE LED ASSEMBLY.

## SUMMARY DATA

EFFICIENCY (Total): 100.0 %  
EFFICIENCY (Downlight): 96.3 %  
EFFICIENCY (Uplight): 3.7 %  
CIE CLASSIFICATION: DIRECT  
SPACING CRITERION (0-Deg.): 1.27  
SPACING CRITERION (90-Deg.): 1.25  
LUMENS/LAMP: 12.66515  
NO. OF LAMPS: 3  
LUMINOUS OPENING: RECTANGULAR  
    Width: 0.50 (Feet)  
    Length: 0.07  
    Height: 0.02  
INPUT WATTS: 1.2

## ZONAL LUMEN SUMMARY

<u>Zone</u>	<u>Lumens</u>	<u>% Lamp</u>	<u>% Luminaire</u>
0 - 30	9.3	24.5	24.5
0 - 40	15.3	40.2	40.2
0 - 60	27.2	71.5	71.5
60 - 90	9.4	24.8	24.8
0 - 90	36.6	96.3	96.3
90 - 180	1.4	3.7	3.7
0 - 180	38.0	100.0	100.0

Reported data calculated from manufacturer's data file, based on IESNA recommended methods.

Photometric Viewer v3.4





# Photometric Report

CATALOG NUMBER: 523-000004-60

Monday, October 31, 2011

FILENAME: S4\_EW\_COVE\_EC\_POWERCORE\_2700K\_12IN\_ITL64057\_011510.IES

[IESNA]LM-63-2002  
[TEST]ITL64057  
[TESTLAB]INDEPENDENT TESTING LABORATORIES, INC.  
[ISSUE]DATE]01/15/10  
[MANUFAC]PHILIPS COLOR KINETICS  
[LUMCAT]523-000004-60  
[LUMINAIRE]MOLDED PLASTIC HOUSING, ONE WHITE CIRCUIT BOARD WITH 6 LEDS,  
[MORE]TRANSLUCENT WHITE PLASTIC DROP LENS.  
[LAMP]SIX WHITE LIGHT EMITTING DIODES (LEDS), EACH WITH CLEAR  
[MORE]SEMI-HEMISPHERICAL INTEGRAL LENS, VERTICAL BASE-UP POSITION.  
[OTHER]TOTAL INPUT WATTS = 3.11 AT 120.0 VOLTS  
[MORE]VOLTAGE (120VAC, 60Hz) TO THE LED ASSEMBLY.  
[OTHER]TEST PROCEDURE: IESNA LM-79-08

## SUMMARY DATA

EFFICIENCY (Total): 100.0 %  
EFFICIENCY (Downlight): 96.7 %  
EFFICIENCY (Uplight): 3.3 %  
CIE CLASSIFICATION: DIRECT  
SPACING CRITERION (0-Deg.): 1.27  
SPACING CRITERION (90-Deg.): 1.24  
LUMENS/LAMP: 23.34128  
NO. OF LAMPS: 6  
LUMINOUS OPENING: RECTANGULAR  
    Width: 1.00 (Feet)  
    Length: 0.07  
    Height: 0.02  
INPUT WATTS: 3.11

## ZONAL LUMEN SUMMARY

<u>Zone</u>	<u>Lumens</u>	<u>% Lamp</u>	<u>% Luminaire</u>
0 - 30	35.0	25.0	25.0
0 - 40	57.2	40.9	40.9
0 - 60	101.2	72.3	72.3
60 - 90	34.2	24.4	24.4
0 - 90	135.4	96.7	96.7
90 - 180	4.7	3.3	3.3
0 - 180	140.1	100.0	100.0

Reported data calculated from manufacturer's data file, based on IESNA recommended methods.

Photometric Viewer v3.4

AcuityBrands  
Lighting

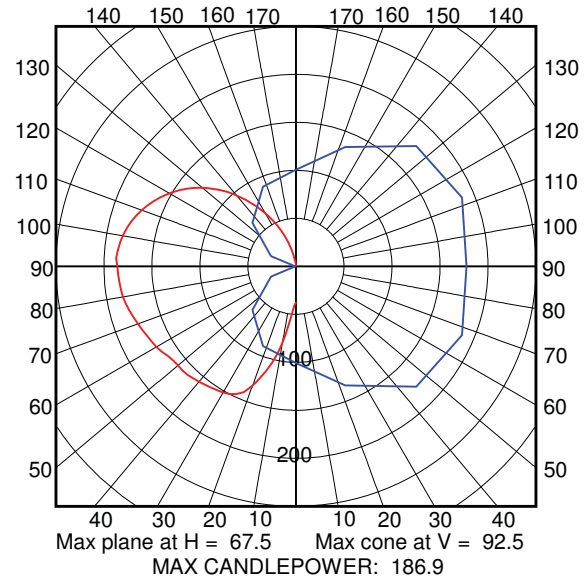
FILENAME: S5\_672-WP-16-CF1-27.IES

IESNA:LM-63-1995  
 [TEST] 19160  
 [MANUFAC]COOPER LIGHTING - SHAPER  
 [LUMCAT]672-WP-16-CF1/27  
 [LUMINAIRE]EXTERIOR WALL MOUNT LUMINAIRE WITH WHITE INTERIOR AND WHITE PLASTIC OVER CLEAR PLASTIC LENS  
 [LAMP]ONE GE 27 WATT CPFL LAMP  
 [LAMP]CAT]F27/24BX/SPX35. LUMEN RATING = 1800 LMS.  
 [OTHER]ONE UNIVERSAL C2642UNVSE BALLAST OPERATING AT 120 VAC AND 25 WATTS

**SUMMARY DATA**

EFFICIENCY (Total): 63.0 %  
 EFFICIENCY (Down / Up): 35.7 % / 27.3 %  
 EFFICIENCY (Street / House): 31.5 % / 31.5 %  
 ROADWAY CLASSIFICATION: Unclassified, Unclassified  
 CUTOFF CLASSIFICATION: NONCUTOFF  
 LUMENS/LAMP: 1800  
 NO. OF LAMPS: 1  
 LUMINOUS OPENING: RECTANGULAR  
     Width: 0.35 (Feet)  
     Length: 0.46  
     Height: 1.25  
 INPUT WATTS: 25

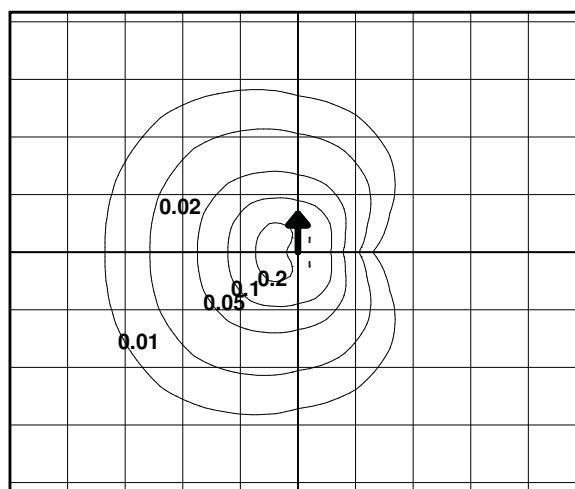
**PLANE & CONE DIAGRAM**



**LUMINAIRE CLASSIFICATION SYSTEM  
 (BUG RATING = B0-U3-G1)**

FORWARD LIGHT		Lumens (% of Lamp Lumens)	
FL (0-30):	41	(2.3%)	
FM (30-60):	117	(6.5%)	
FH (60-80):	106	(5.9%)	
FVH(80-90):	58	(3.2%)	
BACKLIGHT			
BL (0-30):	41	(2.3%)	
BM (30-60):	117	(6.5%)	
BH (60-80):	106	(5.9%)	
BVH(80-90):	58	(3.2%)	
UPLIGHT			
UL (90-100):	117	(6.5%)	
UH (100-180):	373	(20.7%)	
TRAPPED LIGHT:	666	(37.0%)	

**ISO-ILLUMINANCE DIAGRAM (fc)**



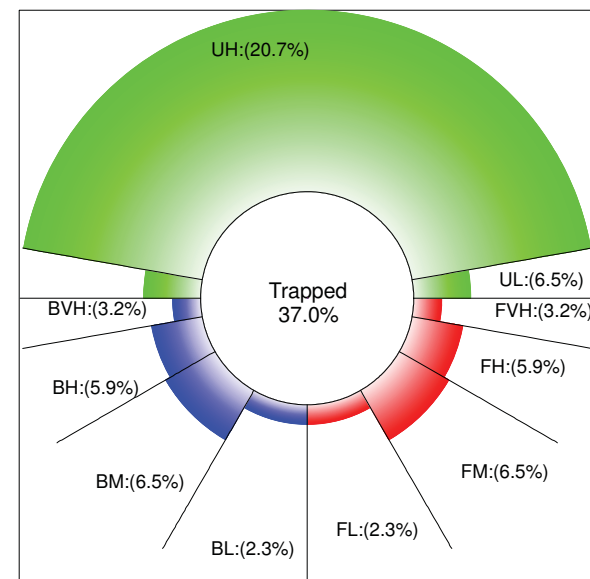
Mounting Height	Multiplier
10	4.000
15	1.778
20	1.000
25	0.640
30	0.444
35	0.327
40	0.250
45	0.198
50	0.160

Shade Limit:  
0.5 fc.

Shaded Area:  
0 sq.ft.

+ = Point of max candela

Mounting Height = 20 Feet. Each box represents one mounting height.



Reported data calculated from manufacturer's data file, based on IESNA recommended methods.

# Photometric Report

CATALOG NUMBER: OW1302

Monday, October 31, 2011

FILENAME: S6\_OW1302-1F40.IES

IESNA:LM-63-2002  
[TEST] 03790  
[TESTLAB] LUMINAIRE TESTING LABORATORY, INC.  
[ISSUE DATE] 11-26-1997  
[MANUFAC] VISA LIGHTING  
[LUMCAT] OW1302  
[LUMINAIRE] EXTRUDED ALUMINUM HOUSING, FORMED ALUMINUM SPECULAR  
[MORE] REFLECTOR, TRANSLUCENT WHITE ACRYLIC LENSES  
[LAMP] ONE GE F40/30BX/SPX30 RATED AT 3150 LUMENS  
[BALLAST] ONE ENERGY SAVINGS ES-1-CFT-40-120-A  
[OTHER] MOUNTING: WALL HORIZONTAL

## SUMMARY DATA

EFFICIENCY (Total): 46.5 %  
EFFICIENCY (Downlight): 23.4 %  
EFFICIENCY (Uplight): 23.0 %  
CIE CLASSIFICATION: GENERAL DIFFUSE  
SPACING CRITERION (90-Deg.): 1.26  
LUMENS/LAMP: 3150  
NO. OF LAMPS: 1  
LUMINOUS OPENING: RECTANGULAR  
    Width: 2.00 (Feet)  
    Length: 0.33  
    Height: 0.60  
INPUT WATTS: 38

## ZONAL LUMEN SUMMARY

<u>Zone</u>	<u>Lumens</u>	<u>% Lamp</u>	<u>% Luminaire</u>
0 - 30	128.0	4.1	8.7
0 - 40	212.1	6.7	14.5
0 - 60	408.1	13.0	27.9
60 - 90	330.2	10.5	22.6
0 - 90	738.3	23.4	50.4
90 - 180	725.2	23.0	49.6
0 - 180	1463.5	46.5	100.0

Reported data calculated from manufacturer's data file, based on IESNA recommended methods.

Photometric Viewer v3.4

AcuityBrands  
Lighting

# Photometric Report

CATALOG NUMBER: 101L-2-35LA-NW

Monday, October 31, 2011

FILENAME: S7\_101L-2-35LA-NW.IES

IESNA:LM-63-2002  
 [TEST] 11-9430  
 [TESTLAB] PHILIPS Lighting - San Marcos  
 [ISSUE DATE] 8/ 9/2011  
 [MANUFAC] PHILIPS GARDCO  
 [LUMCAT] 101L-2-35LA-NW  
 [LUMINAIRE] 101 LED SCONCE  
 [LAMP] (1) LIGHT ARRAY OF 32 LEDs DRIVEN AT 350mA  
 [OTHER] DATA SHOWN IS ABSOLUTE PHOTOMETRY AT RATED INPUT  
 [OTHER] 2883 ABSOLUTE LUMENS DELIVERED  
 [OTHER] TESTED IN COMPLIANCE WITH LM-79-08 PROCEDURES

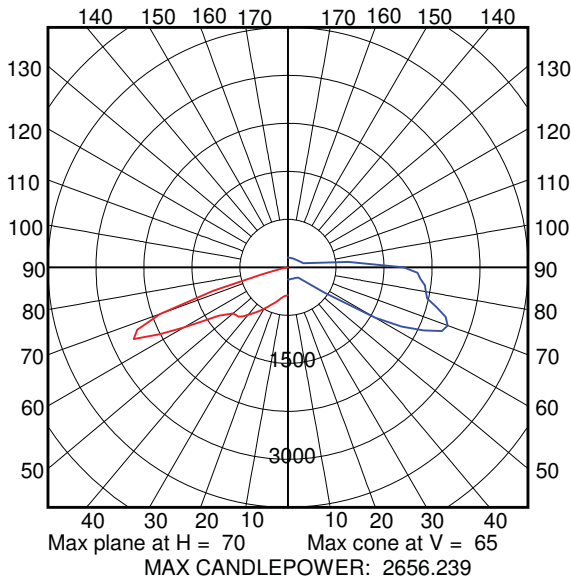
**SUMMARY DATA**

EFFICIENCY (Total): 100.0 %  
 EFFICIENCY (Down / Up): 100.0 % / 0.0 %  
 EFFICIENCY (Street / House): 73.1 % / 26.9 %  
 ROADWAY CLASSIFICATION: TYPE II, SHORT  
 CUTOFF CLASSIFICATION: FULL CUTOFF  
 LUMENS/LAMP: 2883.249  
 NO. OF LAMPS: 1  
 LUMINOUS OPENING: RECTANGULAR  
     Width: 0.00 (Feet)  
     Length: 0.00  
     Height: 0.00  
 INPUT WATTS: 33.5

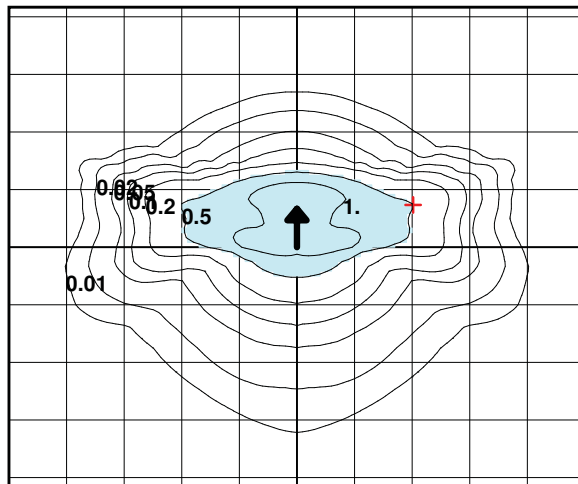
**LUMINAIRE CLASSIFICATION SYSTEM  
 (BUG RATING = B1-U0-G1)**

FORWARD LIGHT	Lumens (% of Lamp Lumens)	
FL (0-30):	247	(8.6%)
FM (30-60):	1297	(45.0%)
FH (60-80):	555	(19.2%)
FVH(80-90):	5	(0.2%)
BACKLIGHT		
BL (0-30):	176	(6.1%)
BM (30-60):	374	(13.0%)
BH (60-80):	224	(7.8%)
BVH(80-90):	5	(0.2%)
UPLIGHT		
UL (90-100):	0	(0.0%)
UH (100-180):	0	(0.0%)
TRAPPED LIGHT:	0	(0.0%)

**PLANE & CONE DIAGRAM**



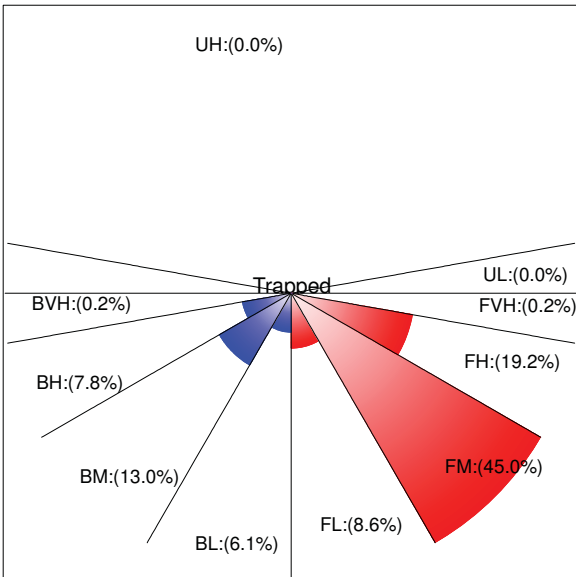
**ISO-ILLUMINANCE DIAGRAM (fc)**



Mounting Height	Multiplier
10	4.000
15	1.778
20	1.000
25	0.640
30	0.444
35	0.327
40	0.250
45	0.198
50	0.160

Shade Limit: 0.5 fc.  
 Shaded Area: 2088 sq.ft.  
 + = Point of max candela

Mounting Height = 20 Feet. Each box represents one mounting height.



Reported data calculated from manufacturer's data file, based on IESNA recommended methods.

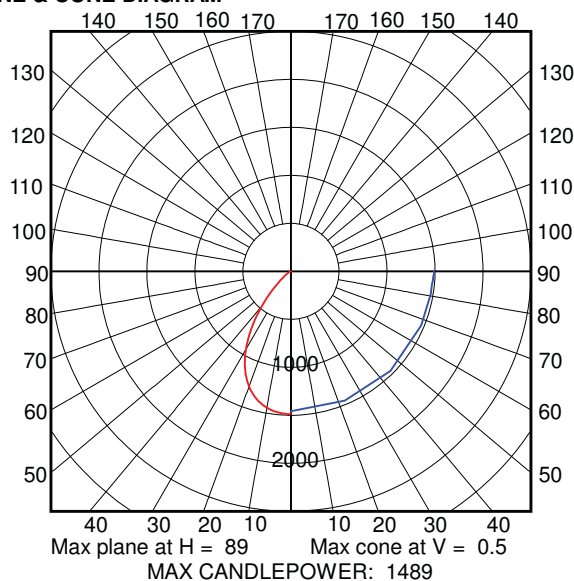
FILENAME: S8\_EW\_GRAZE\_POWERCORE\_2700K\_10X60.IES

IESNA:LM-63-2002  
 [TEST]JTL60245  
 [TESTLAB]INDEPENDENT TESTING LABORATORIES, INC.  
 [ISSUE DATE]04/21/08  
 [MANUFACTURER]PHILIPS SOLID STATE LIGHTING SOLUTIONS  
 [LUMCAT]523-000030-00  
 [LUMINAIRE]EXTRUDED UNFINISHED METAL HEAT SINK/HOUSING, ONE BLACK  
 [MORE]CIRCUIT BOARD WITH 12 LEDS AND OPTICAL ASSEMBLIES, MOLDED  
 [MORE]CLEAR PLASTIC LENS WITH CLEAR FROSTED PLASTIC INTERIOR  
 [MORE]OVERLAY.  
 [LAMP]TWELVE WHITE LIGHT EMITTING DIODES (LEDS). EACH LED HAS A  
 [MORE]CLEAR CONICAL PLASTIC NON-INTEGRAL INTERIOR LENS WITH CONCAVE  
 [MORE]BOTTOM AND FROSTED RECESSED CENTER, EACH LENS IS ENCASED IN A

**SUMMARY DATA**

EFFICIENCY (Total): 99.9 %  
 EFFICIENCY (Down / Up): 99.9 % / 0.0 %  
 EFFICIENCY (Street / House): 50.0 % / 50.0 %  
 ROADWAY CLASSIFICATION: TYPE I, VERY SHORT  
 CUTOFF CLASSIFICATION: FULL CUTOFF  
 LUMENS/LAMP: 404  
 NO. OF LAMPS: 1  
 LUMINOUS OPENING: RECTANGULAR  
     Width: 1.00 (Feet)  
     Length: 0.08  
     Height: 0.02  
 INPUT WATTS: 14.5

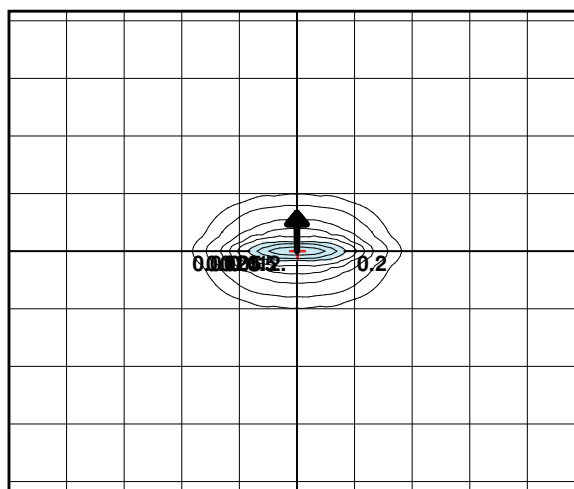
**PLANE & CONE DIAGRAM**



**LUMINAIRE CLASSIFICATION SYSTEM  
 (BUG RATING = B1-U0-G0)**

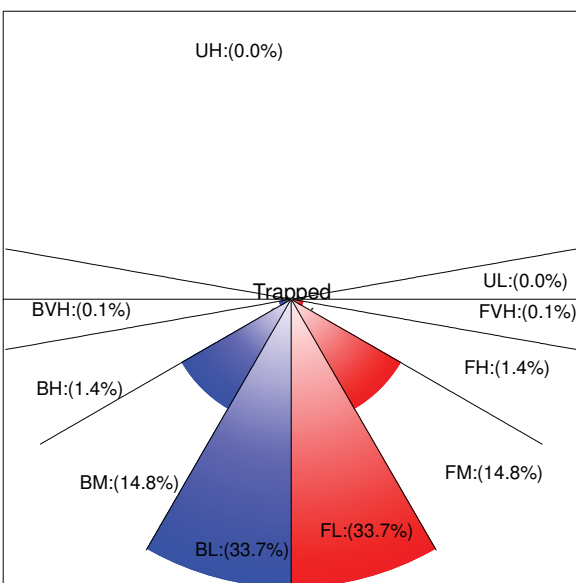
FORWARD LIGHT	Lumens (% of Lamp Lumens)	
FL (0-30):	136	(33.7%)
FM (30-60):	60	(14.8%)
FH (60-80):	6	(1.4%)
FVH(80-90):	0	(0.1%)
BACKLIGHT		
BL (0-30):	136	(33.7%)
BM (30-60):	60	(14.8%)
BH (60-80):	6	(1.4%)
BVH(80-90):	0	(0.1%)
UPLIGHT		
UL (90-100):	0	(0.0%)
UH (100-180):	0	(0.0%)
TRAPPED LIGHT:	0	(0.0%)

**ISO-ILLUMINANCE DIAGRAM (fc)**



Mounting Height	Multiplier
10	4.000
15	1.778
20	1.000
25	0.640
30	0.444
35	0.327
40	0.250
45	0.198
50	0.160

Shade Limit:  
 0.5 fc.  
 Shaded Area:  
 190 sq.ft.  
 + = Point of max candela



Reported data calculated from manufacturer's data file, based on IESNA recommended methods.

# Photometric Report

CATALOG NUMBER: 960-S-4LED-BLP

Monday, October 31, 2011

FILENAME: S9\_GARDCO\_960-4LED-BLP.IES

IESNA:LM-63-2002  
 [TEST] ITL60632  
 [TESTLAB] INDEPENDENT TESTING LABORATORIES, INC.  
 [ISSUE DATE] 07/03/08  
 [MANUFAC] PHILIPS GARDCO  
 [LUMCAT] 960-S-4LED-BLP  
 [LUMINAIRE] CAST METAL HOUSING, ONE WHITE CIRCUIT BOARD WITH ONE LED  
 [OTHER] DATA SHOWN IS ABSOLUTE PHOTOMETRY AT RATED INPUT  
 [OTHER] 40 ABSOLUTE LUMENS DELIVERED  
 [OTHER] TESTED IN COMPLIANCE WITH LM-79-08 PROCEDURES

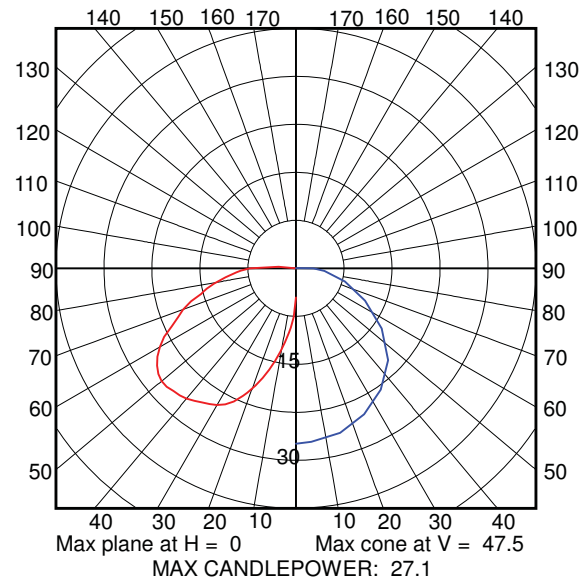
## SUMMARY DATA

EFFICIENCY (Total): 100.0 %  
 EFFICIENCY (Down / Up): 97.9 % / 2.1 %  
 EFFICIENCY (Street / House): 99.4 % / 0.7 %  
 ROADWAY CLASSIFICATION: TYPE IV, VERY SHORT  
 CUTOFF CLASSIFICATION: NONCUTOFF  
 LUMENS/LAMP: 40.19196  
 NO. OF LAMPS: 1  
 LUMINOUS OPENING: RECTANGULAR  
     Width: 0.06 (Feet)  
     Length: 0.04  
     Height: 0.05  
 INPUT WATTS: 6

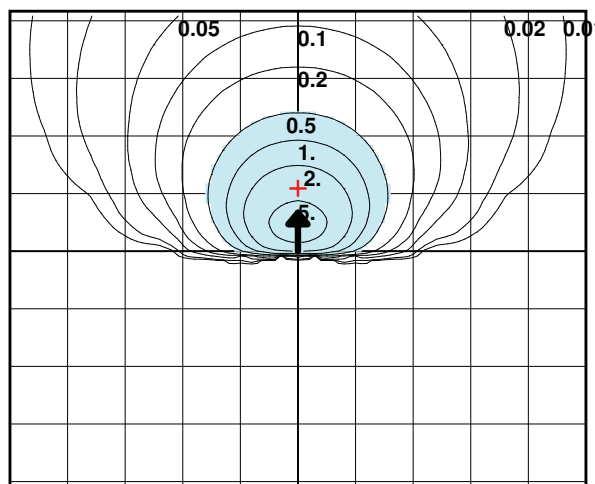
## LUMINAIRE CLASSIFICATION SYSTEM (BUG RATING = B0-U1-G0)

FORWARD LIGHT	Lumens (% of Lamp Lumens)	
FL (0-30):	6	(14.9%)
FM (30-60):	20	(49.7%)
FH (60-80):	10	(26.1%)
FVH(80-90):	3	(6.6%)
BACKLIGHT		
BL (0-30):	0	(0.4%)
BM (30-60):	0	(0.3%)
BH (60-80):	0	(0.0%)
BVH(80-90):	0	(0.0%)
UPLIGHT		
UL (90-100):	1	(2.0%)
UH (100-180):	0	(0.2%)
TRAPPED LIGHT:	0	(0.0%)

## PLANE & CONE DIAGRAM



## ISO-ILLUMINANCE DIAGRAM (fc)



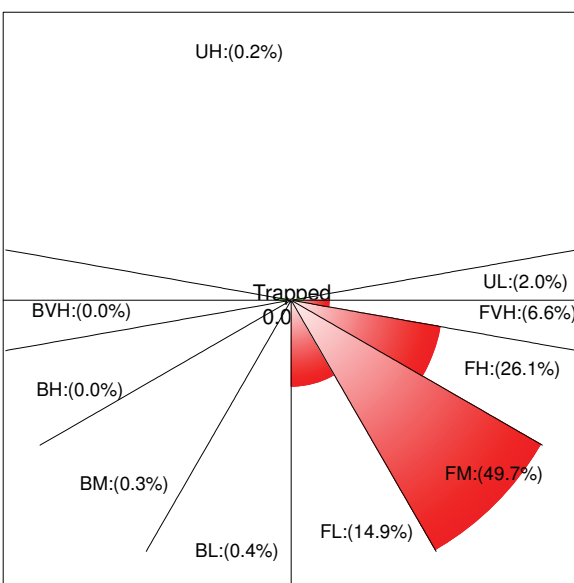
Mounting Height	Multiplier
10	0.023
15	0.010
20	0.006
25	0.004
30	0.003
35	0.002
40	0.001
45	0.001
50	0.001

Shade Limit:  
0.5 fc.

Shaded Area:  
15 sq.ft.

+ = Point of max candela

Mounting Height = 1.5 Feet. Each box represents one mounting height.



Reported data calculated from manufacturer's data file, based on IESNA recommended methods.

Photometric Viewer v3.4



Date: \_\_\_\_\_ Type: \_\_\_\_\_

Firm Name: \_\_\_\_\_

Project: \_\_\_\_\_

# eW Burst Powercore

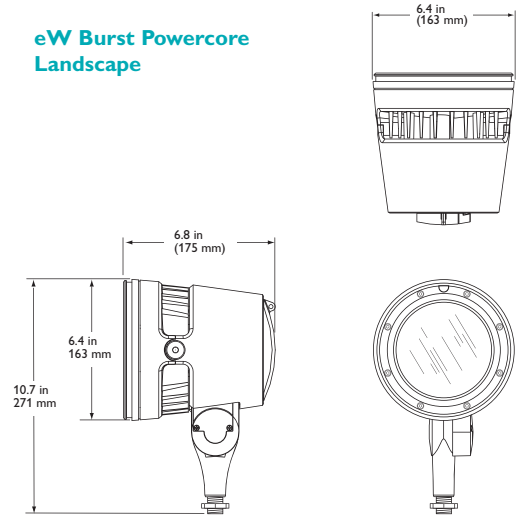
8° primary optic (no spread lens)

High-output, exterior white spotlight for accent and site lighting

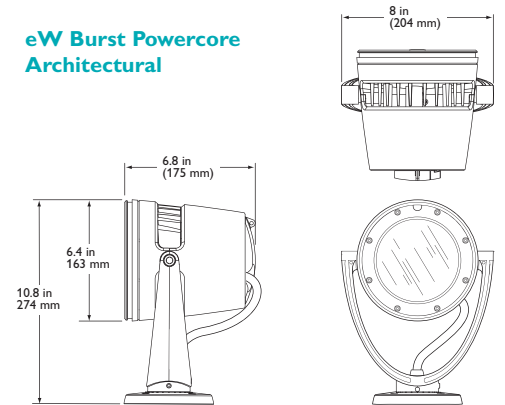
eW Burst Powercore is a high-output, exterior-rated LED lighting fixture designed for accent and site lighting. Architectural and Landscape versions deliver high-quality white light output in a warm 2700 K and a neutral 4000 K, as well as four solid colors (Red, Green, Blue, and Amber) to support a range of uplighting, floodlighting, and decorative lighting applications.

- Integrates patented Powercore technology — Powercore rapidly, efficiently, and accurately controls power output to fixtures directly from line voltage, eliminating the need for an external power supply. Contractor-friendly installation dramatically simplifies installation and lowers total system cost.
- Flexible mounting in architectural applications — Architectural fixtures feature an integrated yoke with canopy base for mounting to standard US junction boxes or directly to a flat surface or substrate as local codes permit.
- Support for a wide range of landscape applications — Landscape fixtures feature a 1/2 in NPT threaded post for mounting to standard junction boxes and third-party mounting accessories such as stanchion mounts, posts, and stakes for use in softscape and hardscape applications.
- Exchangeable optics and accessories — Available 14°, 23°, 41°, and asymmetric 10° x 41° spread lenses project a soft-edge beam to support a wide range of lighting applications. Native 8° beam angle offers extended light projection. Available glare shields block spill light, while honeycomb louvers limit the spread of light for a more focused and intense beam.
- Versatile light positioning — Fixtures can tilt through a full 180°. Architectural fixtures can also rotate through a full 360° for precise aiming. Locking screws accept standard hex wrenches to secure fixtures firmly in position.
- Universal power input range — Accepts a universal power input range of 100 to 277 VAC, allowing the installation of multiple units in a continuous run.

## eW Burst Powercore Landscape



## eW Burst Powercore Architectural



- Dimming capability — Patented DIMand technology offers smooth dimming capability with many electronic low voltage (ELV) dimmers for all input voltages.
- Outdoor rated — With a rugged, die-cast aluminum housing fully sealed for maximum fixture life and IP66-rated for outdoor applications, eW Burst Powercore is ideal for use in damp or wet locations.

For detailed product information, please refer to the eW Burst Powercore Product Guide at [www.colorkinetics.com/ls/essentialwhite/ewburstpc/](http://www.colorkinetics.com/ls/essentialwhite/ewburstpc/).



## Specifications

Due to continuous improvements and innovations, specifications may change without notice.

Item	Specification	Details
Output	Beam Angle	8° primary optic
	Lumens†	1168 (2700 K*) 1478 (4000 K*)
	Efficacy (lm / W)	39.9 (2700 K) 49.3 (4000 K)
	CRI	82.6 (2700 K) 80.6 (4000 K)
	Lumen Maintenance‡	90,000 hours L70 @ 25° C 45,000 hours L70 @ 50° C 120,000 hours L50 @ 25° C 70,000 hours L50 @ 50° C
Electrical	Input Voltage	100 – 277 VAC, auto-switching, 50 / 60 Hz
	Power Consumption	30 W maximum at full output, steady state
	Power Factor	.978 @ 120 VAC (2700 K) .975 @ 120 VAC (4000 K)
Control	Dimming	Compatible with many commercially available ELV, trailing edge, or reverse-phase control dimmers§
Physical	Dimensions (Height x Width x Depth)	10.8 x 8.0 x 6.8 in (274 x 204 x 175 mm) Architectural 10.7 x 6.4 x 6.8 in (271 x 163 x 175 mm) Landscape
	Weight	11 lb (5 kg) Architectural 7.4 lb (3.4 kg) Landscape
	Housing	Die-cast aluminium, powder-coated finish
	Lens	Tempered glass
	Fixture Connections	6 ft (1.8 m) unified power / data cable with flying leads Architectural 6 in (152 mm) flying leads Landscape
	Temperature Ranges	-40° – 122° F (-40° – 50° C) Operating -4° – 122° F (-20° – 50° C) Startup -40° – 176° F (-40° – 80° C) Storage
	Vibration Resistance	ANSI C136.31 (Architectural only)
Certification and Safety	Certification	UL / cUL, FCC Class A, CE, CQC
	Environment	Dry / Damp / Wet Location, IP66

\* Color temperatures conform to nominal CCTs as defined in ANSI Chromaticity Standard C78.377A.

† Lumen measurement complies with IES LM-79-08 testing procedures

‡ L70 = 70% maintenance of lumen output (when light output drops below 70% of initial output).

L50 = 50% maintenance of lumen output (when light output drops below 50% of initial output).

Ambient temperatures specified. Based on measurements that comply with IES LM-80-08 testing procedures. Refer to [www.colorkinetics.com/support/appnotes/lm-80-08.pdf](http://www.colorkinetics.com/support/appnotes/lm-80-08.pdf) for more information.

§ Refer to [www.colorkinetics.com/support/appnotes/](http://www.colorkinetics.com/support/appnotes/) for specific details



## Fixtures and Accessories

Use Item Number when ordering in North America.

Item	Type	Housing Color <sup>1</sup>	Item Number	Philips 12NC
eW Burst Powercore Landscape (UL / cUL / CE)	2700 K	Gray	523-000036-00	910503700694
	4000 K	Gray	523-000036-01	910503700695
eW Burst Powercore Architectural (UL / cUL)	2700 K	Gray	523-000036-02	910503700744
	4000 K	Gray	523-000036-03	910503700743
eW Burst Powercore Architectural (CE)	2700 K	Gray	523-000036-04	910503701122
	4000 K	Gray	523-000036-05	910503701123
eW Burst Powercore Architectural (CQC)	2700 K	Gray	523-000036-06	910503701791
	4000 K	Gray	523-000036-07	910503701792
Trim Ring		Gray	120-000103-00	910503701212
45° Glare Shield		Gray	120-000103-01	910503701213
Full Height Glare Shield		Gray	120-000103-02	910503701214
Honeycomb Louver		Black	120-000104-00	910503701215
Spread Lenses	14°		120-000080-00	910503700609
	23°		120-000080-01	910503700610
	41°		120-000080-02	910503700611
	10° x 41° asymmetric		120-000080-03	910503700612

<sup>1</sup> Refer to How to Order Specification Sheet for additional housing colors.



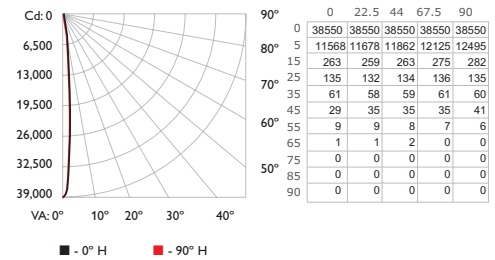
Philips Color Kinetics  
3 Burlington Woods Drive  
Burlington, Massachusetts 01803 USA  
Tel 888.385.5742  
Tel 617.423.9999  
Fax 617.423.9998  
[www.philipscolorkinetics.com](http://www.philipscolorkinetics.com)

## Photometrics

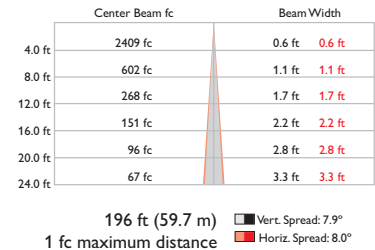
eW Burst Powercore

2700 K, 8° primary optic (no spread lens)

### Polar Candela Distribution



### Illuminance at Distance



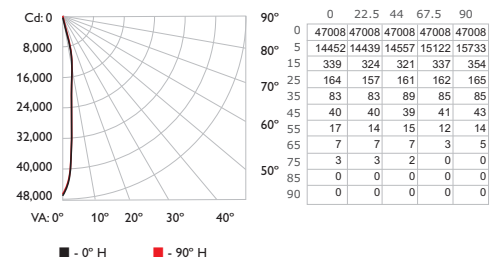
Lumens	1168
Efficacy	39.9 lm / W

For lux multiply fc by 10.7

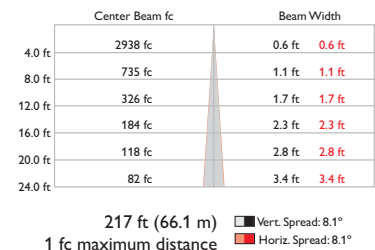
eW Burst Powercore

4000 K, 8° primary optic (no spread lens)

### Polar Candela Distribution



### Illuminance at Distance



Lumens	1475
Efficacy	49.3 lm / W

For lux multiply fc by 10.7

Copyright © 2010 – 2011 Philips Solid-State Lighting Solutions, Inc. All rights reserved. Chromacore, Chromasic, CK, the CK logo, Color Kinetics, the Color Kinetics logo, ColorBlast, ColorBlaze, ColorBurst, ColorGraze, ColorPlay, ColorReach, iW Reach, eW Reach, eW Fuse, DIMand, EssentialWhite, eW, iColor, iColor Cove, IntelliWhite, iV, iPlayer, Optibin, and Powercore are either registered trademarks or trademarks of Philips Solid-State Lighting Solutions, Inc. in the United States and / or other countries. All other brand or product names are trademarks or registered trademarks of their respective owners. Due to continuous improvements and innovations, specifications may change without notice. DAS-000032-01 R02 04-11



# 6" Recessed Downlight

# LR6™

## Product Description

The LR6 is a downlight module for new construction and retrofit that installs easily in most standard six inch recessed IC or non-IC housings. The LR6 downlight generates white light with LEDs in a new way that enables an unprecedented combination of light output, high efficacy, beautiful color, and affordability. U.S. Patent # 7,213,940 issued. Numerous patents pending.

## Performance Summary

- Utilizes Cree TrueWhite® Technology
- Delivered Light Output = 650 lumens
- Input Power = 10.5 Watts
- CRI = 90
- CCT = 2700K or 3500K
- Dimmable to 20%
- Five Year Warranty

## Ordering Information

- LR6 - 120V, Incandescent Color (2700K), Edison Base
- LR6-GU24 - 120V, Incandescent Color (2700K), GU24 Base
- LR6C - 120V, Neutral Color (3500K), Edison Base
- LR6C-GU24 - 120V, Neutral Color (3500K), GU24 Base

LR6-GU24



LR6



LR6C

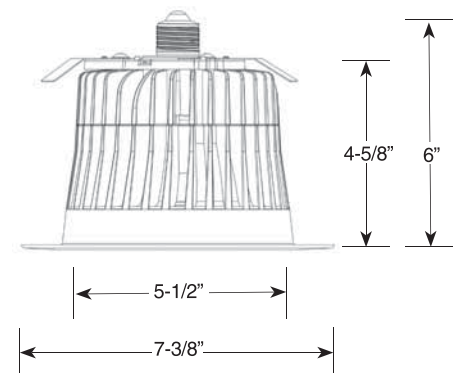
## Accessories - Reference accessory product information sheets for more detail

### Accessory Trims

- LT6A - Diffuse anodized finish
- LT6AW - Wheat diffuse anodized finish
- LT6AP - Pewter diffuse anodized finish
- LT6AB - Black anodized finish
- LT6WH - Smooth white
- LT6AG - Graphite diffuse anodized finish
- LT6BB - Black ABS thermoplastic full trim

### Housings

- H6 - Architectural
- RC6 - New construction
- RR6 - Retrofit
- SC6 - Surface mount
- SC6-CM - Cord mount
- SC6-WM - Wall mount



# LR6™

## 6" Recessed Downlight

### Product Information

#### reeTrue hite Technology

- A better way to generate white light that utilizes a patented mixture of unsaturated yellow and saturated red LEDs.
- Tuned to optimal color point before shipment.
- Color management system maintains color consistency over time and temperature.
- Designed to last 50,000 hours and maintain at least 70% of initial lumen output.

#### Construction

- Durable die-cast aluminum upper housing, lower housing, and upper cover.
- Integrated thermal management system conducts heat away from LEDs and transfers it to the surrounding environment. LED junction temperatures stay below specified maximums even when installed in attic insulation with temperatures exceeding 60 degrees Celsius.

#### Optical System

- Proprietary optical system utilizes a unique combination of reflective and refractive optical components to achieve a uniform, comfortable appearance. Pliation and direct view of unshielded LEDs are eliminated.
- White Lower Reflector balances brightness of refractor with the ceiling to create comfortable high-angle appearance. Works with refractor to deliver an optimized distribution that illuminates walls and vertical surfaces increasing the perception of spaciousness.

#### Electrical System

- Integral, high efficiency driver and power supply.
- Power factor 0.9
- Input voltage = 120V, 60Hz.
- Dimmable to 20% with certain incandescent dimmers (reference www.CreeLEDLighting.com for recommended dimmers).

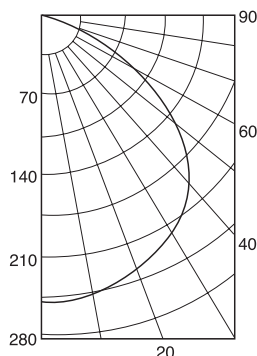
#### Regulatory and voluntary qualifications

- cULus Listed®. Suitable for damp locations.
- Utilize GU-24 base for new construction projects in California or other areas where high efficacy line voltage sockets are required.
- Meets California Title-24 high efficacy luminaire requirements.
- ENERGY STAR® Qualified Solid-State Lighting Luminaire.

### Photometry

LR6

22226

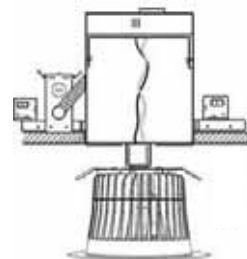


ANGLE	MEAN CP
0°	249
5°	248
15°	242
25°	228
35°	203
45°	165
55°	115
65°	62
75°	24
85°	6
90°	0

ZONE	LUMENS	%LAMP	%FIX
0° - 30°	197	30.39	30.39
0° - 40°	325	49.94	49.94
0° - 60°	556	85.35	85.35
0° - 90°	650	100.00	100.00

### Installation

- Designed to easily install in standard 6" downlight housings from Cree and other manufacturers.
- Quick install system utilizes a unique retention feature. Simply attach socket to LR6. Move light to ready position and slide into housing.



\* Reference www.CreeLEDLighting.com for a list of compatible housings.

### Application Comparison

Room	6' x 6' Spacing		5' x 5' Spacing		4' x 4' Spacing		Hallway						
	Workplane Illuminance	Wall Illuminance	Workplane Illuminance	Wall Illuminance	Workplane Illuminance	Wall Illuminance	6' Spacing		8' Spacing		10' Spacing		
	Workplane Illuminance	Wall Illuminance	Workplane Illuminance	Wall Illuminance	Workplane Illuminance	Wall Illuminance	Workplane Illuminance	Wall Illuminance	Workplane Illuminance	Wall Illuminance	Workplane Illuminance	Wall Illuminance	
LR6	15.1	8.0	19.9	10.7	27.2	15.4	LR6	12.6	6.8	9.6	5.2	7.6	4.0
65W BR30 White Baffle	14.0	6.3	18.7	8.6	26.1	12.6	65W BR30 White Baffle	12.0	5.3	9.1	4.0	7.2	3.2
18W CFL White Baffle	15.5	7.9	20.8	10.6	28.7	15.4	18W CFL White Baffle	13.0	6.6	10.1	5.1	7.9	4.0
50W PAR30 White Baffle	16.7	4.1	22.9	5.7	34.1	8.6	50W PAR30 White Baffle	14.6	3.1	11.2	2.6	9.1	1.8

Notes:  
Average initial illuminance in footcandles, reflectances = 80/50/30, workplane height = 2.5', ceiling height = 9', Nine lights per room. Room sizes = 18'x18', 15'x15', 12'x12'

Notes:  
Average initial illuminance in footcandles, reflectances = 80/50/30, workplane height = 2.5', ceiling height = 9', Six lights per hall, width = 6'

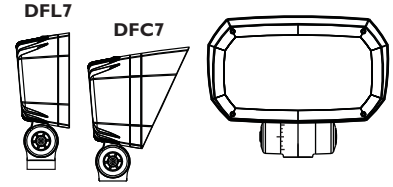
Job:  
Type:  
Notes:

# Designer Floodlight LED

Page 1 of 4

DFL7 / DFC7 - 7"

The Philips Gardco Designer Floodlight LED is an architectural LED flood luminaire with a choice of (6) precision LED optical systems. Each is designed to provide a specific distribution, minimizing stray light. Designer Floodlight LED luminaires provide performance comparable to HID units, while providing the energy saving benefits of advanced class I LED technology. The luminaires feature integral LED thermal fins to provide the thermal control so vital to LED system performance and life. The high strength die cast aluminum knuckle features an integral splice compartment eliminating the need for a supplementary junction box and thereby permitting closer to grade mounting.



PREFIX	MOUNTING	DISTRIBUTION	LED WATTAGE	LED SELECTION	VOLTAGE	FINISH	OPTIONS
DFC7-DIM	J	NSP	75LA	WW	UNIV		

Enter the order code into the appropriate box above. Note: Philips Gardco reserves the right to refuse a configuration. Not all combinations and configurations are valid. Refer to notes below for exclusions and limitations. For questions or concerns, please consult the factory.

## PREFIX

### Standard Flat Door

- DFL7** Designer Floodlight LED 7" with Standard Flat Door
- DFL7-DIM** Designer Floodlight LED 7" with Standard Flat Door and 0-10V Dimming

### Integral Cutoff Hood Door

- DFC7** Designer Floodlight LED 7" with Cutoff Hood
- DFC7-DIM** Designer Floodlight LED 7" with Cutoff Hood and 0-10V Dimming

## DISTRIBUTION

- HFL** Horizontal Flood      **NSP** Narrow Spot
- VFL** Vertical Flood        **MSP** Medium Spot
- HSP** Horizontal Spot      **WSP** Wide Spot

## MOUNTING

<b>C</b>	Stub-up Conduit Mount. For direct mounting to (2) 1/2" (1.27cm) or 3/4" (1.91cm) GRC or IMC conduits. No j-box required. Must use factory supplied mounting insert when setting stub-ups.
<b>J</b>	J-Box Mount. For mounting into 1/2" (1.27cm) hub. Also suitable for direct surface mount to walls or ceilings when fed by EMT, BX, SJO, NM, etc. (For surface mount over outlet box, specify W or W90 mount).
<b>W</b>	Wall/Ceiling Canopy Mount. For mounting over (not to) a 4" recessed outlet box. When mounted on vertical surface, provides vertical aiming from straight down to 100° up from nadir. When mounted on a vertical surface, long axis of luminaire must be horizontal (+/-30°). Mounts directly to wall or ceiling. The surface structure must be suitable to support the luminaire. Only suitable for use on non-combustable surfaces.
<b>WMB</b>	Wall Mount Bullhorn. For mounting over (not to) a 4" (10.16cm) recessed outlet box. Provides full axial 180° vertical and 358° rotational aiming. Mounts direct to wall. Surface structure must be suitable to support the assembly. Outer end of WMB must be in the "straight up" position, as shown in diagram on opposite page. Luminaire mounts with the knuckle below the body of the luminaire only.
<b>W90</b>	Wall Arm Mount. For mounting over (not to) a 4" (10.16cm) recessed outlet box. Provides full axial 180° vertical and 358° rotational aiming range. Mounts direct to wall. Surface structure must be suitable to support the luminaire. When mounted in wet locations, luminaire must be mounted as shown in diagrams on page 3. In damp or dry locations, arm assembly may be inverted.
<b>ST</b>	Stanchion Mount. 18" (45.72cm) stanchion for in-ground concrete burial mounting.
<b>SM</b>	Surface Mount Stanchion. For mounting to 18" (45.72cm) stanchion pole assembly.

## LED WATTAGE AND LUMEN VALUES

Ordering Code	Average System Watts <sup>1</sup>	LED Current (mA)	LED Selection	Luminaire Initial Absolute Lumens <sup>2,3</sup>					
				HFL	VFL	HSP	NSP	MSP	WSP
35LA	35	350	CW	3,298	3,223	3,387	3,349	3,425	3,399
			NW	3,133	3,015	3,179	3,104	3,245	3,252
55LA	55	530	CW	4,631	4,476	4,694	4,668	4,809	4,787
			NW	4,321	4,218	4,349	4,411	4,567	4,538
75LA	75	700	CW	5,953	5,563	6,044	5,980	6,191	6,146
			NW	5,526	5,359	5,653	5,524	5,764	5,724

1. Wattage may vary by +/- 8% due to LED manufacturer forward volt specification and ambient temperature. Wattage shown is average for 120V through 277V input. Actual wattage may vary by an additional +/- 10% due to actual input voltage.

2. Tests are in process for CW types marked with "\*" in the table above and for all WW luminaires. Contact apps@sitelighting.com if approximate estimates are required for types not shown, for design purposes.

3. LED arrays feature LEDs that provide from 100 to 130 lumens per watt when operated at 350 mA. Lumen values based on photometric tests performed in compliance with IESNA LM-79 on each configuration shown.

## LED SELECTION

- CW** Cool White - 5700°K - 68 CRI
- NW** Neutral White - 4000°K - 75 CRI
- WW** Warm White - 3000°K - 84 CRI

1611 Clovis Barker Road, San Marcos, TX 78666  
(800) 227-0758 (512) 753-1000 FAX: (512) 753-7855 sitelighting.com

© 2011 Koninklijke Philips Electronics N.V. All Rights Reserved.

Philips Gardco reserves the right to change materials or modify the design of its product without notification as part of the company's continuing product improvement program.

G200-018/0811

**PHILIPS**

**GARDCO**



# Designer Floodlight LED

## VOLTAGE

<b>UNIV</b>	120V through 277V, 50hz or 60hz
<b>HVU<sup>4</sup></b>	347V through 480V, 50hz or 60hz (High Voltage Universal)

## FINISH

<b>BRP</b>	Bronze Paint
<b>BLP</b>	Black Paint
<b>WP</b>	White Paint
<b>NP</b>	Natural Aluminum Paint
<b>BGP</b>	Beige Paint
<b>VP</b>	Verde Green Paint
<b>OC</b>	Optional Color Paint Specify RAL designation ex: OC-RAL7024.
<b>SC</b>	Special Color Paint Specify. Must supply color chip

## OPTIONS

<b>PCB</b>	Button Type Photocontrol
<b>BD<sup>5</sup></b>	Barn Doors
<b>PSO<sup>8</sup></b>	Offset Polycarbonate Flat Shield
<b>F<sup>6</sup></b>	Fusing
<b>ESB</b>	Extended Splice Box
<b>WG<sup>7</sup></b>	Wire Guard
<b>SPR</b>	Surge Protection for 120V through 277V Input
<b>SPRH</b>	Surge Protection for 347V through 480V Input

### Notes:

- 4. Available with 75LA, 700mA luminaires only.
- 5. Available in DFL7 only. Not available in DFC7. Barn Doors (BD) are painted to match the luminaire. Not Available with POLY or WG options.
- 6. 120V through 277V only. Specify actual input voltage being used.
- 7. Not Available with BD or POLY options. Field Installable.
- 8. Additional flat Polycarbonate shield. Not available with BD or WG options. Polycarbonate lenses carry a 1 year warranty only.

## ADDITIONAL MOUNTING ACCESSORIES

- PTA** Pole top 2 3/8" (6.03cm) tenon adapter
- TAB** Twin arm bracket for use with ST or PTA
- PT2** Pole top 2 3/8" (6.03cm) tenon adapter for twin back to back luminaire mounting.

## SPECIFICATIONS

**HOUSING:** A single-piece aluminum housing is die cast in an architectural form. A one piece extruded gasket mates with door frame.

**DOOR/LENS ASSEMBLY:** A heat and impact resistant 1/8" (.3175cm) tempered glass lens and one piece silicone gasket are mechanically secured to door frame. DFL7 luminaires feature a flat door and lens assembly. DFC7 luminaires include an integral cutoff hood door and lens assembly providing additional shielding from source glare.

**IP RATING:** Luminaire (excluding knuckle and splice compartment) is rated IP66.

**KNUCKLE:** The die cast aluminum knuckle features an integral splice compartment. A single captive 3/16" (.48cm) stainless steel allen-head bolt and stainless steel nut securely lock the knuckle aiming teeth in 5° increments. An opposite cover plate is removable for access to splices. The knuckle assembly is fully gasketed.

Splice Compartment Capacity	Standard Units	Luminaires with Extended Splice Box (ESB) Option
#12 AWG Conductors <sup>9</sup>	5	9
#10 AWG Conductors <sup>9</sup>	3	7

9. Including ground.

**OPTICAL SYSTEM:** Precision high performance LED lensed arrays are arranged to provide the specified lighting pattern, including Horizontal Flood, Vertical Flood, Horizontal Spot, Narrow Spot, Medium Spot and Wide Spot distributions. LED arrays are field replaceable.

**ELECTRICAL:** Luminaires are equipped with an LED driver that accepts 120V through 277V, or 347V through 480V, 50hz to 60hz, input. Driver output is based on the LED wattage selected. Component-to-component wiring within the luminaire will carry no more than 80% of rated current and is listed by UL for use at 600 VAC at 302°F / 150°C or higher. Plug disconnects are listed by UL for use at 600 VAC, 15A or higher. Power factor is not less than 90%. Luminaire consumes 0.0 watts in the off state. Surge protection, when provided as an option, provides protection to 10kv.

## LED RELIABILITY:

PREDICTED LUMEN DEPRECIATION DATA		
Ambient Temperature °C	LED Wattage / Driver mA	L <sub>70</sub> Hours <sup>10</sup>
25 °C	35LA / 350 mA	230,000
	55LA / 530 mA	200,000
	75 LA / 700 mA	150,000
40 °C	35LA / 350 mA	200,000
	55LA / 530 mA	170,000
	75 LA / 700 mA	120,000

10. Predicted performance derived from LED manufacturer's data and engineering design estimates, based on IESNA LM-80 methodology. Actual experience may vary due to field application conditions. L<sub>70</sub> is the predicted time when LED performance depreciates to 70% of initial lumen output.

**THERMAL MANAGEMENT:** The Philips Gardco Designer Floodlight LED provides die cast aluminum integral thermal radiation fins to provide the excellent thermal management so critical to long LED system life.

**FINISH:** Each luminaire receives a fade and abrasion resistant, electrostatically applied, thermally cured textured, polyester powdercoat finish.

**LABELS:** All luminaires bear UL or CUL (where applicable) Wet Location labels.

**WARRANTY:** Philips Gardco luminaires feature a 5 year limited warranty. Philips Gardco LED luminaires with LED arrays feature a 5 year limited warranty covering the LED arrays. Polycarbonate lenses carry a 1 year warranty only. See Warranty Information on [www.sitelighting.com](http://www.sitelighting.com) for complete details and exclusions.

1611 Clovis Barker Road, San Marcos, TX 78666  
(800) 227-0758 (512) 753-1000 FAX: (512) 753-7855 [sitelighting.com](http://www.sitelighting.com)

© 2011 Koninklijke Philips Electronics N.V. All Rights Reserved.

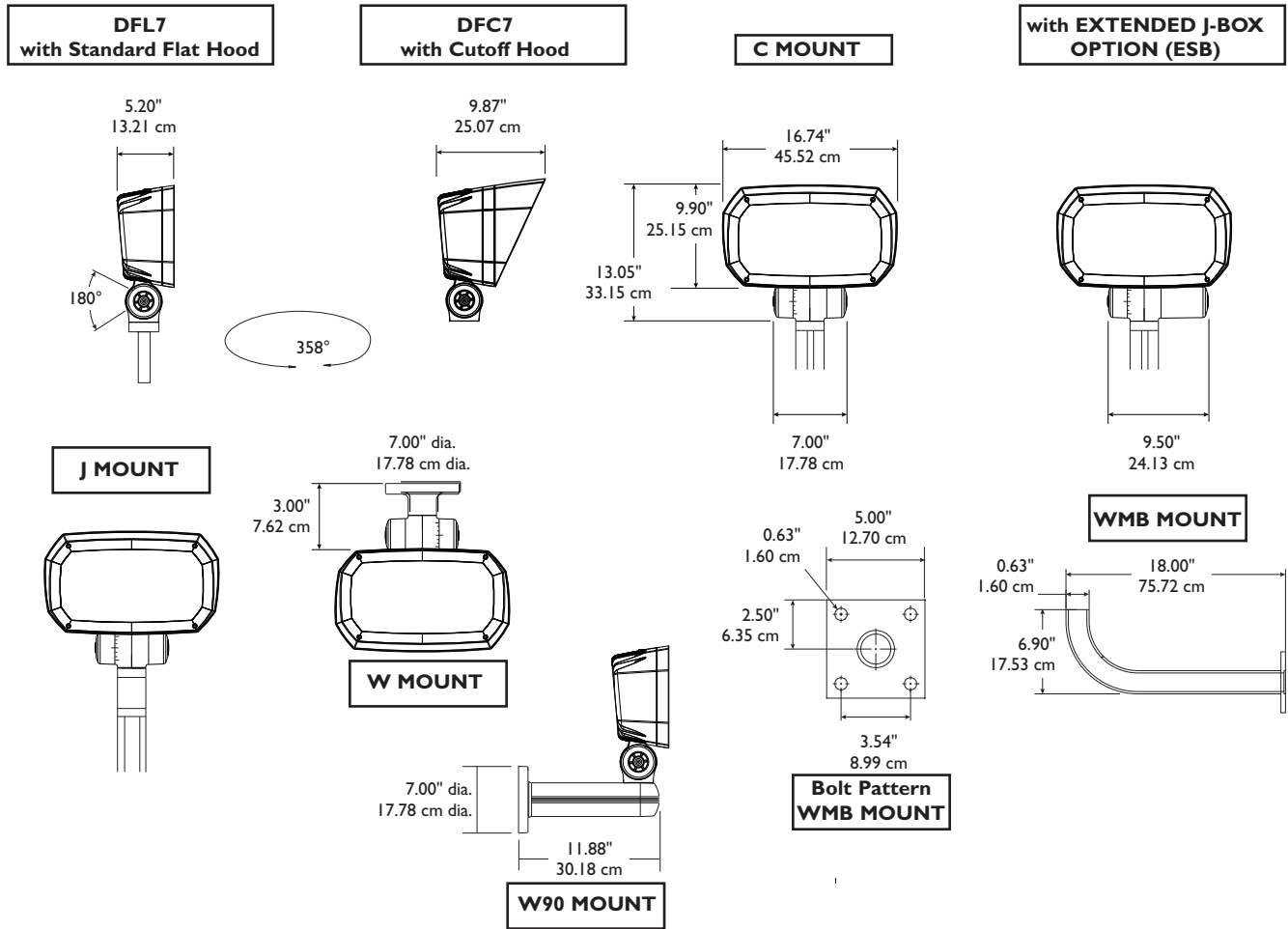
Philips Gardco reserves the right to change materials or modify the design of its product without notification as part of the company's continuing product improvement program.

G200-018/0811

**PHILIPS**



**DIMENSIONS, EPA AND MOUNTING (CONTINUED ON PAGE 4)**

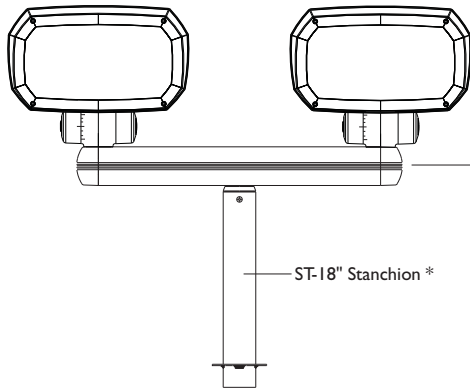


Designer Floodlight LED 7" Pole Loading Data	EPA	
	DFL7	DFC7
Single Luminaire on PTA Adapter	1.5 ft <sup>2</sup> /.14m <sup>2</sup>	1.8 ft <sup>2</sup> /.17m <sup>2</sup>
Twin Luminaires on PTA Adapter	2.1ft <sup>2</sup> /.20m <sup>2</sup>	2.7ft <sup>2</sup> /.25m <sup>2</sup>
Twin Luminaires on TAB Adapter	3.2ft <sup>2</sup> /.30m <sup>2</sup>	3.9ft <sup>2</sup> /.37m <sup>2</sup>

Approximate Single Luminaire Weight	
<b>DFL7</b>	19 lbs 8.62 kg
<b>DFC7</b>	20.5 lbs 9.30 kg

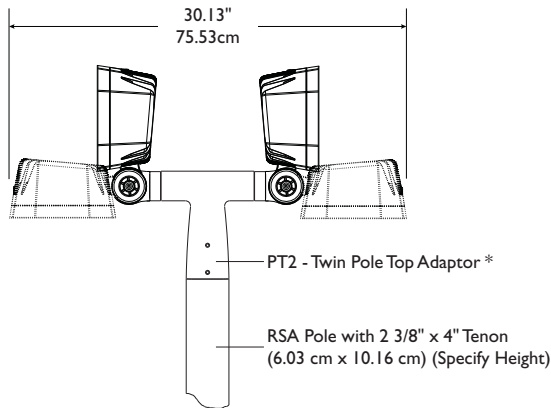
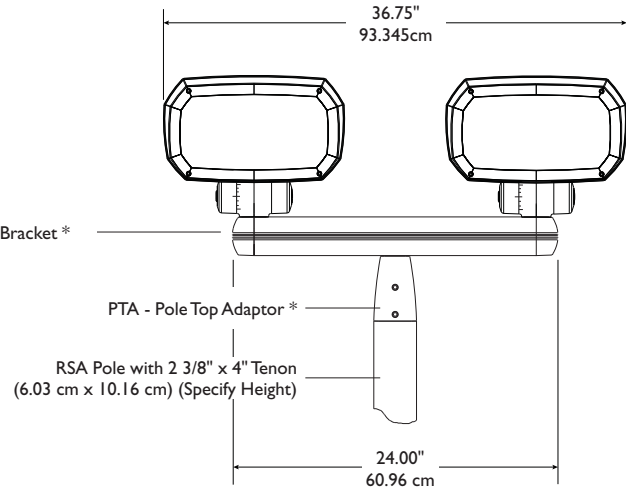
**DIMENSIONS AND MOUNTING (CONTINUED FROM PAGE 3)**

**STANCHION MOUNT  
with Twin Arm Bracket**

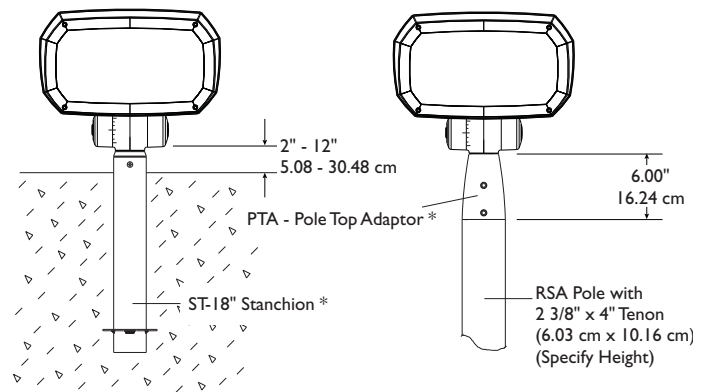


\* Order mounting accessories separately.

**POLE TOP MOUNT  
with Twin Arm Bracket**



**POLE TOP MOUNT  
with Twin Pole Top Adaptor**



**STANCHION MOUNT  
in Ground / Concrete**

**POLE TOP MOUNT  
with Pole Top Adaptor**



Date: \_\_\_\_\_ Type: \_\_\_\_\_

Firm Name: \_\_\_\_\_

Project: \_\_\_\_\_

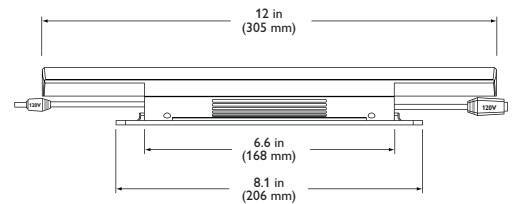
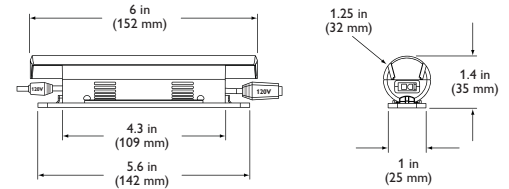
# eW Cove EC Powercore

## 2700 K, 6 in (152 mm)

Dimmable, efficient LED cove light for interior alcoves and niches

eW® Cove EC Powercore is a dimmable, linear LED fixture that provides an affordable, energy-efficient alternative to traditional cove lighting in applications requiring white or solid-color light. With its low profile, rotating housing, flexible end-to-end locking power connectors, and range of colors and color temperatures, eW Cove EC Powercore is the perfect choice for a wide range of interior retail, exhibit, hospitality, and architectural settings.

- Integrates patented Powercore® technology — Powercore rapidly, efficiently, and accurately controls power output to fixtures directly from line voltage, eliminating the need for an external power supply. Contractor-friendly installation dramatically simplifies installation and lowers total system cost.
- Warm and cool color temperatures — Warm 2700 K fixtures are appropriate for intimate, open environments such as restaurants and hotel lobbies. Cool 4000 K color temperatures are appropriate for lighting clean and efficient spaces such as offices, classrooms, and hospitals.
- Superior binning algorithm sets new standard for color consistency — eW Cove EC Powercore exceeds the recognized standards for color quality to guarantee uniformity and consistency of hue and color temperature across LEDs, fixtures, and manufacturing runs.
- Support for multiple voltages — eW Cove EC Powercore accepts power input of 100, 120, or 220 – 240 VAC for consistent installation and operation from line voltage in a variety of locations.
- Smooth dimming capability — Patented DIMand® technology offers smooth dimming capability with standard ELV-type dimmers.
- Compact and flexible — eW Cove EC Powercore low-profile fixtures fit in narrow alcoves, display cases, light boxes, and other tight spaces where light sources requiring



ballasts, external power supplies, and other auxiliary equipment can not. Sizes of 12 in (305 mm) and 6 in (152 mm) offer further flexibility in positioning.

- Easy installation — Powercore delivers line voltage directly to the fixtures, simplifying installation by eliminating the need for external power supplies and allowing long product runs. Easy-to-install 4 ft (1.2 m) mounting tracks allow quick project setup in linear applications.
- Flexible mounting and positioning — With end-to-end locking power connectors that can make 180° turns, eW Cove EC Powercore fixtures are easy to position in even the most challenging mounting circumstances. Fixtures rotate in 10° increments through a full 180° for precise aiming and beam mixing. Optional mounting tracks support vertical and overhead positioning. 1 ft (305 mm) and 5 ft (1.5 m) jumper cables can add extra space between fixtures.

For detailed product information, please refer to the eW Cove EC Powercore Product Guide at [www.colorkinetics.com/ls/essentialwhite/ewcoveecp/](http://www.colorkinetics.com/ls/essentialwhite/ewcoveecp/).

# PHILIPS

## Specifications

Due to continuous improvements and innovations, specifications may change without notice.

Item	Specification	Details
Output	Color Temperature	2700 K*
	Beam Angle	110° x 110°
	Lumens†	38
	Efficacy (lm / W)	31.7
	CRI	83
	Lumen Maintenance‡	70,000 hours L70 @ 25° C 50,000 hours L70 @ 50° C 90,000 hours L50 @ 25° C 70,000 hours L50 @ 50° C
Electrical	Input Voltage	100 / 120 / 220 – 240 VAC, auto-switching, 50 / 60 Hz
	Power Consumption	1.5 W maximum at full output, steady state
	Power Factor	.96 @ 120 VAC
Control	Dimming	Compatible with many commercially available ELV, trailing edge, or reverse-phase control dimmers§
Physical	Dimensions (Height x Width x Depth)	1.25 x 6 x 1.4 in (32 x 152 x 35 mm)
	Weight	0.19 lbs (85 g)
	Housing	Injection-molded plastic, dark-gray finish
	Lens	Clear polycarbonate
	Fixture Connections	Integral male / female connectors
	Temperature Ranges	-4° – 122° F (-20° – 50° C) Operating -4° – 122° F (-20° – 50° C) Startup -40° – 176° F (-40° – 80° C) Storage
	Humidity	0 – 95%, non-condensing
	Maximum Fixture Run Lengths	174 @ 100 VAC 191 @ 120 VAC 272 @ 240 VAC <i>Configuration: Fixtures installed end-to-end, 20 A circuit, standard 10 ft (3.1 m) Leader Cable</i>
Certification and Safety	Certification	UL / cUL, FCC Class B, CE, SAA, C-Tick
	LED Class	Class 2 LED product
	Environment	Dry Location, IP20
	Energy Efficiency	California Title 24 Compliant

\* Color temperatures conform to nominal CCTs as defined in ANSI Chromaticity Standard C78.377A.

† Lumen measurement complies with IES LM-79-08 testing procedures.

‡ L70 = 70% maintenance of lumen output (when light output drops below 70% of initial output). L50 = 50% maintenance of lumen output (when light output drops below 50% of initial output). Ambient temperatures specified. Based on measurements that comply with IES LM-80-08 testing procedures. Refer to [www.colorkinetics.com/support/appnotes/lm-80-08.pdf](http://www.colorkinetics.com/support/appnotes/lm-80-08.pdf) for details.

§ Refer to [www.colorkinetics.com/support/appnotes/](http://www.colorkinetics.com/support/appnotes/) for specific details.

|| These figures, provided as a guideline, are accurate for this configuration only. Changing the configuration can affect the fixture run lengths.

## Accessories

Item	Type	Size	Item Number	Philips 12NC
Leader Cable with terminator and strain relief	UL / cUL	10 ft (3 m)	108-000032-00	910503700586
	CE	10 ft (3 m)	108-000032-02	910403325901
Wiring Compartment with terminator	UL / cUL		120-000076-00	910503700597
Leader Cable with plug	UL / cUL	8 ft (2.4 m)	108-000032-03	910503700394
Jumper Cable	UL / cUL	1 ft (305 mm)	108-000033-00	910403600101
		5 ft (1.5 m)	108-000033-01	910403600102
	CE	1 ft (305 mm)	108-000033-02	910403326001
		5 ft (1.5 m)	108-000033-03	910403326101
Mounting Track		4 ft (1219 mm)	523-000006-01	910503700452

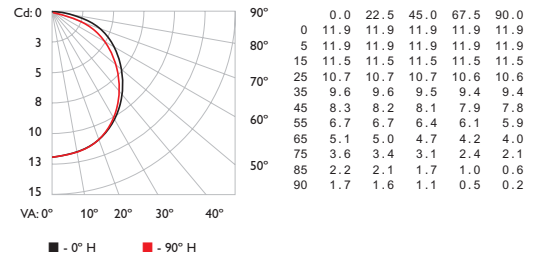


Philips Color Kinetics  
3 Burlington Woods Drive  
Burlington, Massachusetts 01803 USA  
Tel 888.385.5742  
Tel 617.423.9999  
Fax 617.423.9998  
[www.philipscolorkinetics.com](http://www.philipscolorkinetics.com)

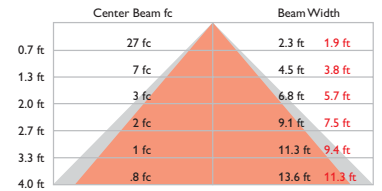
## Photometrics

2700 K, 6 in (152 mm)

### Polar Candela Distribution



### Illuminance at Distance



5.8 ft (1.8 m) 1 fc maximum distance  
Vert. Spread: 119.1°  
Horiz. Spread: 109.5°

Lumens	38
Efficacy	31.7 lm / W

For lux multiply fc by 10.7

## Fixtures

Item	Type	Size	Item Number	Philips 12NC
100 VAC	2700 K	6 in (152 mm)	523-000005-61	910503701061
		12 in (305 mm)	523-000004-61	910503701045
	4000 K	6 in (152 mm)	523-000005-67	910503701067
		12 in (305 mm)	523-000004-73	910503701057
	Blue	12 in (305 mm)	223-000004-70	910503701081
		Amber	12 in (305 mm)	223-000004-71
120 VAC UL / cUL	2700 K	6 in (152 mm)	523-000005-60	910503701060
		12 in (305 mm)	523-000004-60	910503701044
	4000 K	6 in (152 mm)	523-000005-66	910503701066
		12 in (305 mm)	523-000004-72	910503701056
	Blue	12 in (305 mm)	223-000004-62	910503701073
		Amber	12 in (305 mm)	223-000004-63
220 – 240 VAC / CE Fixture only	2700 K	12 in (305 mm)	523-000004-62	910503701046
	4000 K	12 in (305 mm)	523-000004-74	910503701058
		Blue	12 in (305 mm)	223-000004-66
220 – 240 VAC / CE Fixture and 10 ft (3 m) Leader Cable with terminator	4000 K	Blue	12 in (305 mm)	223-000004-67
		Amber	12 in (305 mm)	223-000004-67
	2700 K	12 in (305 mm)	523-000004-63	910503701047
220 – 240 VAC / CCC	4000 K	12 in (305 mm)	523-000004-75	910503701059
		Blue	12 in (305 mm)	223-000004-76
	2700 K	12 in (305 mm)	523-000004-76	910503701672
		4000 K	12 in (305 mm)	523-000004-77
	Blue	12 in (305 mm)	223-000004-72	910503701670
Amber	12 in (305 mm)	223-000004-73	910503701671	

Use Item Number when ordering in North America.

Copyright © 2010 Philips Solid-State Lighting Solutions, Inc. All rights reserved. Chromacore, Chromatic, CK, the CK logo, Color Kinetics, the Color Kinetics logo, ColorBlast, ColorBlaze, ColorBurst, ColorGraze, ColorPlay, ColorReach, iVW Reach, eW Reach, eW Fuse, DiMand, EssentialWhite, eW, iColor, iColor Cove, IntelliWhite, iW, iPlayer, Optibin, and Powercore are either registered trademarks or trademarks of Philips Solid-State Lighting Solutions, Inc. in the United States and / or other countries. All other brand or product names are trademarks or registered trademarks of their respective owners. Due to continuous improvements and innovations, specifications may change without notice.

DAS-000070-02 R04 12-10





Date: \_\_\_\_\_ Type: \_\_\_\_\_

Firm Name: \_\_\_\_\_

Project: \_\_\_\_\_

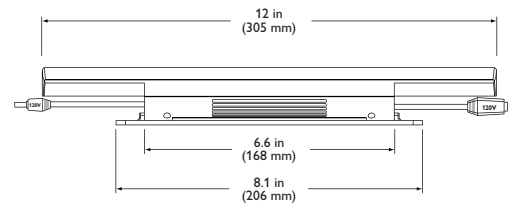
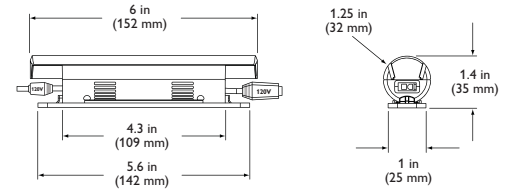
# eW Cove EC Powercore

## 2700 K, 12 in (305 mm)

Dimmable, efficient LED cove light for interior alcoves and niches

eW® Cove EC Powercore is a dimmable, linear LED fixture that provides an affordable, energy-efficient alternative to traditional cove lighting in applications requiring white or solid-color light. With its low profile, rotating housing, flexible end-to-end locking power connectors, and range of colors and color temperatures, eW Cove EC Powercore is the perfect choice for a wide range of interior retail, exhibit, hospitality, and architectural settings.

- Integrates patented Powercore® technology — Powercore rapidly, efficiently, and accurately controls power output to fixtures directly from line voltage, eliminating the need for an external power supply. Contractor-friendly installation dramatically simplifies installation and lowers total system cost.
- Warm and cool color temperatures — Warm 2700 K fixtures are appropriate for intimate, open environments such as restaurants and hotel lobbies. Cool 4000 K color temperatures are appropriate for lighting clean and efficient spaces such as offices, classrooms, and hospitals.
- Superior binning algorithm sets new standard for color consistency — eW Cove EC Powercore exceeds the recognized standards for color quality to guarantee uniformity and consistency of hue and color temperature across LEDs, fixtures, and manufacturing runs.
- Support for multiple voltages — eW Cove EC Powercore accepts power input of 100, 120, or 220 – 240 VAC for consistent installation and operation from line voltage in a variety of locations.
- Smooth dimming capability — Patented DIMand® technology offers smooth dimming capability with standard ELV-type dimmers.
- Compact and flexible — eW Cove EC Powercore low-profile fixtures fit in narrow alcoves, display cases, light boxes, and other tight spaces where light sources requiring



ballasts, external power supplies, and other auxiliary equipment can not. Sizes of 12 in (305 mm) and 6 in (152 mm) offer further flexibility in positioning.

- Easy installation — Powercore delivers line voltage directly to the fixtures, simplifying installation by eliminating the need for external power supplies and allowing long product runs. Easy-to-install 4 ft (1.2 m) mounting tracks allow quick project setup in linear applications.
- Flexible mounting and positioning — With end-to-end locking power connectors that can make 180° turns, eW Cove EC Powercore fixtures are easy to position in even the most challenging mounting circumstances. Fixtures rotate in 10° increments through a full 180° for precise aiming and beam mixing. Optional mounting tracks support vertical and overhead positioning. 1 ft (305 mm) and 5 ft (1.5 m) jumper cables can add extra space between fixtures.

For detailed product information, please refer to the eW Cove EC Powercore Product Guide at [www.colorkinetics.com/l/essentialwhite/ewcoveecp/](http://www.colorkinetics.com/l/essentialwhite/ewcoveecp/).

# PHILIPS

## Specifications

Due to continuous improvements and innovations, specifications may change without notice.

Item	Specification	Details
Output	Color Temperature	2700 K*
	Beam Angle	110° x 110°
	Lumens†	140
	Efficacy (lm / W)	45.0
	CRI	82
	Lumen Maintenance‡	70,000 hours L70 @ 25° C 50,000 hours L70 @ 50° C 90,000 hours L50 @ 25° C 70,000 hours L50 @ 50° C
Electrical	Input Voltage	100 / 120 / 220 – 240 VAC, auto-switching, 50 / 60 Hz
	Power Consumption	3.0 W maximum at full output, steady state
	Power Factor	.96 @ 120 VAC
Control	Dimming	Compatible with many commercially available ELV, trailing edge, or reverse-phase control dimmers§
Physical	Dimensions (Height x Width x Depth)	1.25 x 12 x 1.4 in (32 x 305 x 35 mm)
	Weight	0.31 lbs (142 g)
	Housing	Injection-molded plastic, dark-gray finish
	Lens	Clear polycarbonate
	Fixture Connections	Integral male / female connectors
	Temperature Ranges	-4° – 122° F (-20° – 50° C) Operating -4° – 122° F (-20° – 50° C) Startup -40° – 176° F (-40° – 80° C) Storage
	Humidity	0 – 95%, non-condensing
	Maximum Fixture Run Lengths	122 @ 100 VAC 134 @ 120 VAC 191 @ 240 VAC <i>Configuration: Fixtures installed end-to-end, 20 A circuit, standard 10 ft (3.1 m) Leader Cable</i>
Certification and Safety	Certification	UL / cUL, FCC Class B, CE, SAA, C-Tick
	LED Class	Class 2 LED product
	Environment	Dry Location, IP20
	Energy Efficiency	California Title 24 Compliant

\* Color temperatures conform to nominal CCTs as defined in ANSI Chromaticity Standard C78.377A.

† Lumen measurement complies with IES LM-79-08 testing procedures.

‡ L70 = 70% maintenance of lumen output (when light output drops below 70% of initial output). L50 = 50% maintenance of lumen output (when light output drops below 50% of initial output). Ambient temperatures specified. Based on measurements that comply with IES LM-80-08 testing procedures. Refer to [www.colorkinetics.com/support/appnotes/lm-80-08.pdf](http://www.colorkinetics.com/support/appnotes/lm-80-08.pdf) for details.

§ Refer to [www.colorkinetics.com/support/appnotes/](http://www.colorkinetics.com/support/appnotes/) for specific details.

|| These figures, provided as a guideline, are accurate for this configuration only. Changing the configuration can affect the fixture run lengths.

## Accessories

Item	Type	Size	Item Number	Philips 12NC
Leader Cable with terminator and strain relief	UL / cUL	10 ft (3 m)	108-000032-00	910503700586
	CE	10 ft (3 m)	108-000032-02	910403325901
Wiring Compartment with terminator	UL / cUL		120-000076-00	910503700597
Leader Cable with plug	UL / cUL	8 ft (2.4 m)	108-000032-03	910503700394
Jumper Cable	UL / cUL	1 ft (305 mm)	108-000033-00	910403600101
		5 ft (1.5 m)	108-000033-01	910403600102
	CE	1 ft (305 mm)	108-000033-02	910403326001
		5 ft (1.5 m)	108-000033-03	910403326101
Mounting Track		4 ft (1219 mm)	523-000006-01	910503700452

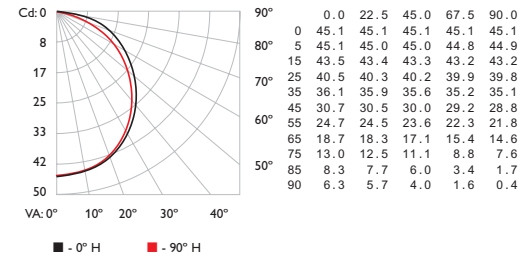


Philips Color Kinetics  
3 Burlington Woods Drive  
Burlington, Massachusetts 01803 USA  
Tel 888.385.5742  
Tel 617.423.9999  
Fax 617.423.9998  
[www.philipscolorkinetics.com](http://www.philipscolorkinetics.com)

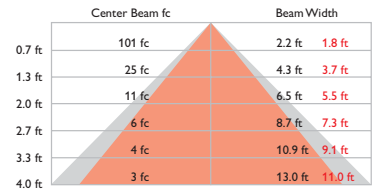
## Photometrics

2700 K, 12 in (305 mm)

### Polar Candela Distribution



### Illuminance at Distance



8.6 ft (2.6 m) 1 fc maximum distance  
Vert. Spread: 116.9°  
Horiz. Spread: 107.8°

Lumens	140
Efficacy	45.0 lm / W

For lux multiply fc by 10.7

## Fixtures

Item	Type	Size	Item Number	Philips 12NC
100 VAC	2700 K	6 in (152 mm)	523-000005-61	910503701061
		12 in (305 mm)	523-000004-61	910503701045
	4000 K	6 in (152 mm)	523-000005-67	910503701067
		12 in (305 mm)	523-000004-73	910503701057
	Blue	12 in (305 mm)	223-000004-70	910503701081
		Amber	12 in (305 mm)	223-000004-71
120 VAC UL / cUL	2700 K	6 in (152 mm)	523-000005-60	910503701060
		12 in (305 mm)	523-000004-60	910503701044
	4000 K	6 in (152 mm)	523-000005-66	910503701066
		12 in (305 mm)	523-000004-72	910503701056
	Blue	12 in (305 mm)	223-000004-62	910503701073
		Amber	12 in (305 mm)	223-000004-63
220 – 240 VAC / CE Fixture only	2700 K	12 in (305 mm)	523-000004-62	910503701046
	4000 K	12 in (305 mm)	523-000004-74	910503701058
		Blue	12 in (305 mm)	223-000004-66
	Amber	12 in (305 mm)	223-000004-67	910503701078
220 – 240 VAC / CE Fixture and 10 ft (3 m) Leader Cable with terminator	2700 K	12 in (305 mm)	523-000004-63	910503701047
	4000 K	12 in (305 mm)	523-000004-75	910503701059
220 – 240 VAC / CCC	2700 K	12 in (305 mm)	523-000004-76	910503701672
	4000 K	12 in (305 mm)	523-000004-77	910503701673
		Blue	12 in (305 mm)	223-000004-72
	Amber	12 in (305 mm)	223-000004-73	910503701671

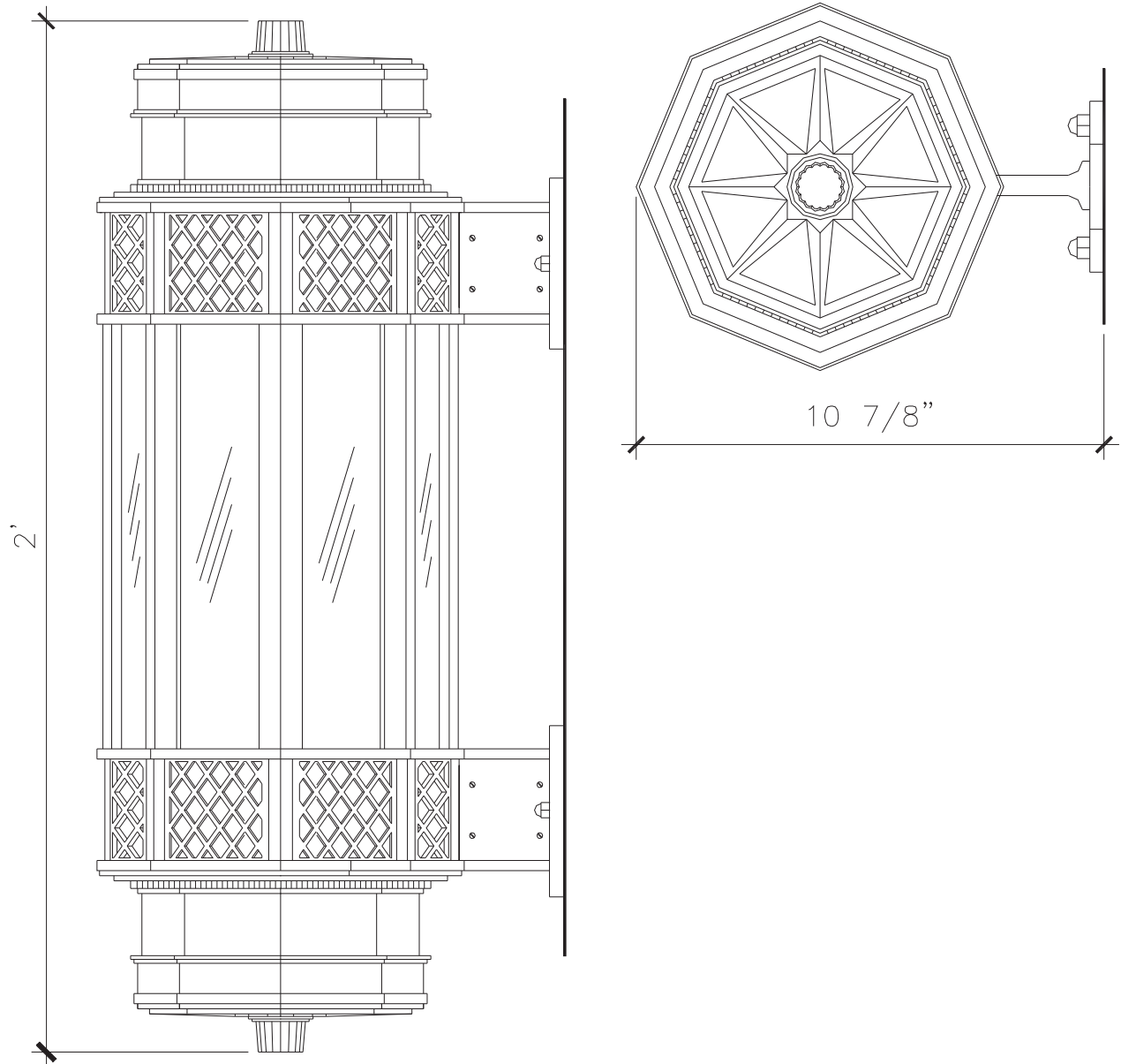
Use Item Number when ordering in North America.

Copyright © 2010 Philips Solid-State Lighting Solutions, Inc. All rights reserved. Chromacore, Chromatic, CK, the CK logo, Color Kinetics, the Color Kinetics logo, ColorBlast, ColorBlaze, ColorBurst, ColorGraze, ColorPlay, ColorReach, iV Reach, eW Reach, eW Fuse, DIMand, EssentialWhite, eW, iColor, iColor Cove, IntelliWhite, iW, iPlayer, Optibin, and Powercore are either registered trademarks or trademarks of Philips Solid-State Lighting Solutions, Inc. in the United States and / or other countries. All other brand or product names are trademarks or registered trademarks of their respective owners. Due to continuous improvements and innovations, specifications may change without notice.

DAS-000070-01 R04 12-10

# WALL BRACKET LANTERN

LF087



## RECOMMENDED MATERIALS

ALUMINUM  
BRONZE

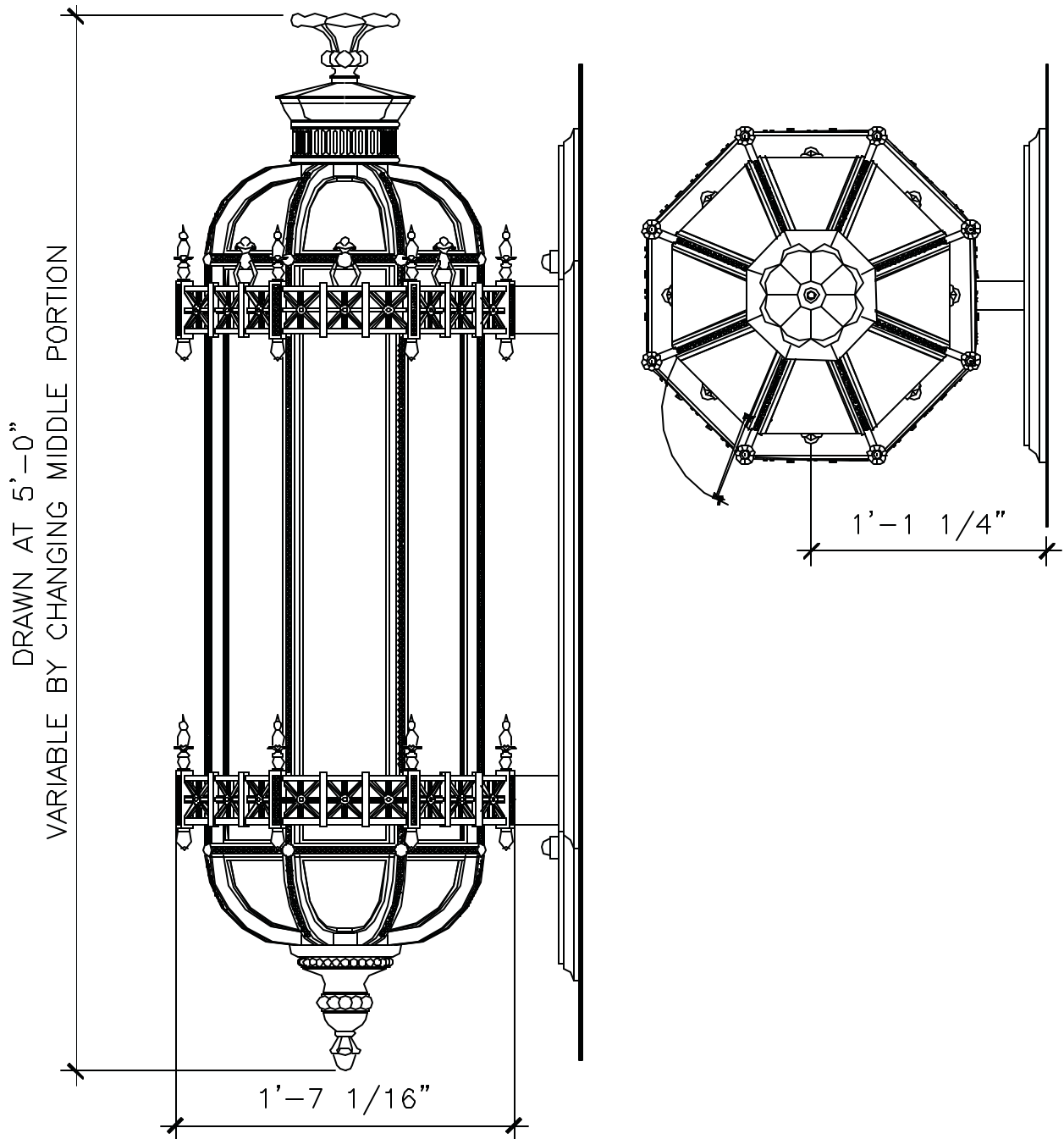
## FINISHES

PAINTED, ANTIQUED  
PATINA, BRUSHED, HAND RUBBED



# WALL BRACKET LANTERN

LF012

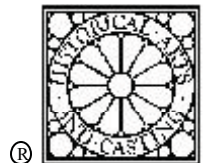


## RECOMMENDED MATERIALS

ALUMINUM  
BRONZE

## FINISHES

PAINTED, ANTIQUED  
PATINA, BRUSHED, HAND RUBBED

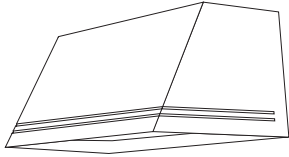


Job:  
 Type:  
 Notes:

# 100 Line LED

## 101 Performance Sconce LED

Philips Gardco 101 LED trapezoidal wedge high performance sconce luminaires are designed to integrate naturally to wall surfaces. 101 LED luminaires are available with three (3) different distribution patterns, providing full cutoff performance (in the normal downlight position) and featuring LED arrays. Luminaires provide performance excellence and advanced Philips Gardco LED thermal management technology. High performance Class 1 LED systems offer potential energy savings of 50 % or more compared to HID systems. 101 LED luminaires are also available with Automatic Profile Dimming, increasing savings by an additional 33%.



PREFIX	DISTRIBUTION	LED WATTAGE	LED SELECTION	VOLTAGE	FINISH	OPTIONS
DFC7-DIM	NSP	75LA	WW	UNIV		
<p><i>Enter the order code into the appropriate box above. Note: Philips Gardco reserves the right to refuse a configuration. Not all combinations and configurations are valid. Refer to notes below for exclusions and limitations. For questions or concerns, please consult the factory.</i></p>						

### PREFIX

- 101L** Trapezoidal Wedge LED - Constant Wattage / Full Light Output
- 101L-DCC** Trapezoidal Wedge LED - Dual Arrays with Dual Circuit Control
- 101L-DIM** Trapezoidal Wedge LED - 0 - 10V Dimming (Control system by others.)
- 101L-APD** Trapezoidal Wedge LED with Automatic Profile Dimming

### DISTRIBUTION

- 2** Type II Wide Throw Optic, featuring Maximized Lateral Throw
- 3** Type III Preferred Wide Throw Optic, featuring Improved Forward Throw
- 4** Type IV Maximized Forward Throw Optic

See page 3 for more detailed luminaire configuration information.

### LED WATTAGE AND LUMEN VALUES

Ordering Code	Average System Watts <sup>1</sup>	LED Current (mA)	LED Selection	Luminaire Initial Absolute Lumens <sup>2,3</sup>			Basis of Lumen Data  Photometric tests performed in compliance with IESNA LM-79.
				TYPE 2	TYPE 3	TYPE 4	
<b>35LA</b>	35	350	NW	2,883	2,974	2,821	
<b>55LA</b>	55	530	NW	3,948	4,158	3,904	

1. Wattage may vary by +/- 8% due to LED manufacturer forward volt specification and ambient temperature. Wattage shown is average for 120V through 277V input. Actual wattage may vary by an additional +/- 10% due to actual input voltage.  
 2. Tests are in process for luminaires with the DL option, CW and WW luminaires. CW values may be approximated by applying a 1.08 multiplier to NW values shown. Contact [Gardco.applications@philips.com](mailto:Gardco.applications@philips.com) if any approximate estimates are required for design purposes.  
 3. LED arrays feature LEDs that provide from 100 to 130 lumens per watt when operated at 350 mA. Lumen values based on tests performed in compliance with IESNA LM-79.

### LED SELECTION

- CW** Cool White - 5700°K - 75 CRI
- NW** Neutral White - 4000°K - 75 CRI
- WW** Warm White - 3000°K - 75 CRI

### VOLTAGE

- UNIV** 120V through 277V, 50hz or 60hz

1611 Clovis Barker Road, San Marcos, TX 78666  
 (800) 227-0758 (512) 753-1000 FAX: (512) 753-7855 [sitelighting.com](http://sitelighting.com)

© 2011 Koninklijke Philips Electronics N.V. All Rights Reserved.

Philips Gardco reserves the right to change materials or modify the design of its product without notification as part of the company's continuing product improvement program.

G200-028/0911

**PHILIPS**



### FINISH

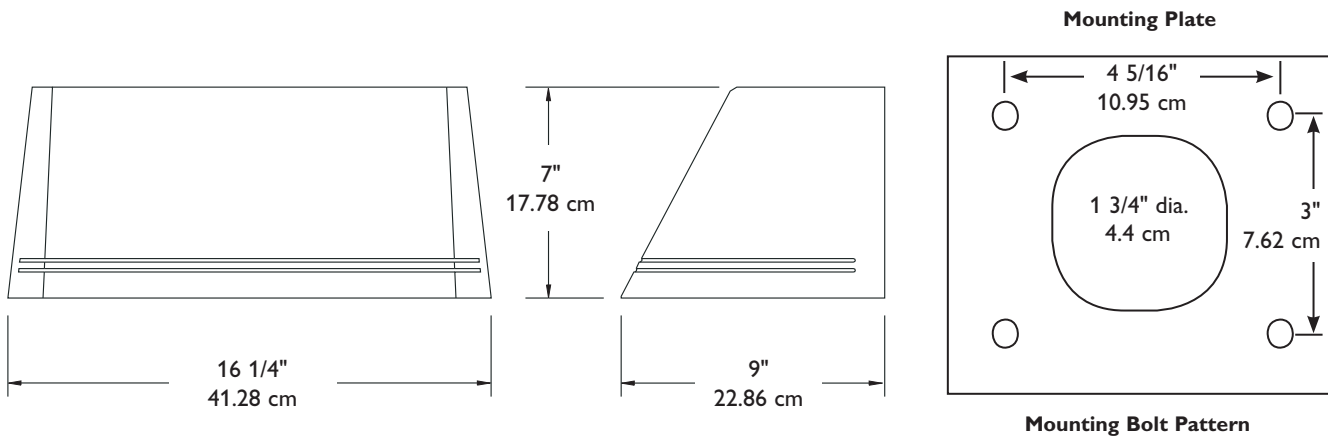
<b>BRP</b>	Bronze Paint
<b>BLP</b>	Black Paint
<b>WP</b>	White Paint
<b>NP</b>	Natural Aluminum Paint
<b>BGP</b>	Beige Paint
<b>OC</b>	Optional Color Paint Specify Optional Color or RAL ex: OC-LGP or OC-RAL7024.
<b>SC</b>	Special Paint Specify. Must supply color chip.

### OPTIONS

<b>F</b>	Fusing
<b>PCB</b>	Button Type Photocontrol
<b>DL<sup>6</sup></b>	Diffusing Lens Reduces Performance Significantly
<b>PSO<sup>4,7</sup></b>	Offset Polycarbonate Flat Shield
<b>UT</b>	5° Uptilt
<b>WS<sup>5</sup></b>	Wall Mounted Box for Surface Conduit
<b>WS/UT<sup>5</sup></b>	WS Option w/5° Uptilt
<b>WG<sup>8</sup></b>	Wire Guard
<b>SPRA</b>	Surge Protection - 120V thru 277V - meeting ANSI C62.41.2

4. Polycarbonate lenses carry a 1 year warranty only.  
 5. Rear entry permitted.  
 6. Not available with PSO option and not available with the WG option.  
 7. Not available with DL option and not available with the WG option.  
 8. Not available with DL option and not available with the PSO option.

### DIMENSIONS



Note: Mounting plate center is located in the center of the luminaire width and 3.5" (8.89cm) above the luminaire bottom (lens down position). Splices must be made in the J-box (by others). Mounting plate must be secured by max. 5/16" (.79cm) diameter bolts (by others) structurally to the wall.

**LUMINAIRE CONFIGURATION INFORMATION**

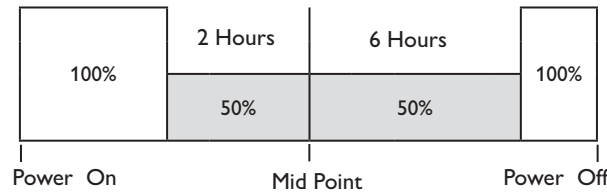
**101L:** Philips Gardco performance LED sconce providing constant wattage and constant light output when power to the luminaire is energized.

**101L-DCC:** Philips Gardco performance LED sconce provided with dual circuiting, and dual arrays, permitting separate switching of each led array.

**101L-DIM:** Philips Gardco performance LED sconce provided with 0 -10V dimming for connection to a control system provided by others.

**101L-APD:** Philips Gardco performance LED sconces with Automatic Profile Dimming are provided with a programmed LED Driver included. The LED driver is factory programmed to go to 50% power, 50% light output two (2) hours prior to night time mid-point and remain at 50% for six (6) hours after night time mid-point. Mid-point is continuously calculated by the LED driver based on the average mid-point of the last two full night cycles. Short duration cycles, and power interruptions are ignored and do not affect the determination of mid-point.

APD Dimming Profile:



**SPECIFICATIONS**

**GENERAL:** Philips Gardco 101 LED Trapezoidal Wedge high performance sconce luminaires are designed to integrate naturally to wall surfaces. 101 LED luminaires are available with three (3) different distribution patterns, providing full cutoff performance (in the downlight position) and featuring LED arrays. Luminaires provide performance excellence and advanced Philips Gardco LED thermal management technology. High performance Class 1 LED systems offer potential energy savings of 50% or more compared to HID systems.

**THERMAL MANAGEMENT:** Philips Gardco 101 LED luminaires utilize extruded aluminum integral thermal radiation fins to provide the excellent thermal management so critical to long LED system life.

**LED RELIABILITY:**

PREDICTED LUMEN DEPRECIATION DATA		
Ambient Temperature °C	LED Wattage / Driver mA	L <sub>70</sub> Hours <sup>9</sup>
25 °C	35LA / 350 mA	150,000
	55LA / 530 mA	100,000
40 °C	35LA / 350 mA	100,000
	55LA / 530 mA	70,000

9. Predicted performance derived from LED manufacturer's data and engineering design estimates, based on IESNA LM-80 methodology. Actual experience may vary due to field application conditions. L<sub>70</sub> is the predicted time when LED performance depreciates to 70% of initial lumen output.

**OPTICAL SYSTEMS:** Philips Gardco 101 LED luminaires utilize lensed LED arrays set to achieve IES Type II, Type III, and Type IV distributions. Individual LED arrays are replaceable. Luminaires feature high performance Class 1 LED systems.

**FULL CUTOFF PERFORMANCE:** Full cutoff performance means a luminaire distribution where zero candela intensity occurs at an angle at or above 90° above nadir. Additionally, the candela per 1000 lamp lumens does not numerically exceed 100 (10 percent) at a vertical angle of 80° above nadir. This applies to all lateral angles around the luminaire.

**CUTOFF PERFORMANCE:** Cutoff performance means a luminaire distribution where the candela per 1000 lamp lumens does not numerically exceed 25 (2.5 percent) at an angle at or above 90° above nadir, and 100 (10 percent) at a vertical angle of 80° above nadir. This applies to all lateral angles around the luminaire.

**HOUSING:** Housings are die cast aluminum. A memory retentive gasket seals the housing to the door frame to exclude moisture, dust, insects and pollutants from the optical system. A black, die cast ribbed backplate dissipates heat for longer system life.

**DOOR FRAME:** A single-piece die cast aluminum door frame integrates to the housing form. The door frame is hinged closed and secured to the housing with captive stainless steel fasteners. The heat and impact resistant 1/8" (.32cm) tempered glass lens and one-piece gasket are mechanically secured to the door frame with galvanized steel retainers.

**IP RATING:** Luminaires are rated IP66.

**FINISH:** Each standard color luminaire receives a fade and abrasion resistant, electrostatically applied, thermally cured, triglycidal isocyanurate (TGIC) textured polyester powdercoat finish. Standard colors are as listed. Consult factory for specs on custom colors.

**LABELS:** All luminaires bear UL or CUL (where applicable) labels. Lens down application is Wet Location and lens up is Damp Location.

**WARRANTY:** Philips Gardco LED luminaires feature a 5 year limited warranty, including a 5 year limited warranty covering the LED arrays. See Warranty Information on [www.sitelighting.com](http://www.sitelighting.com) for complete details and exclusions. Polycarbonate lenses carry a 1 year warranty only.



Date: \_\_\_\_\_ Type: \_\_\_\_\_

Firm Name: \_\_\_\_\_

Project: \_\_\_\_\_

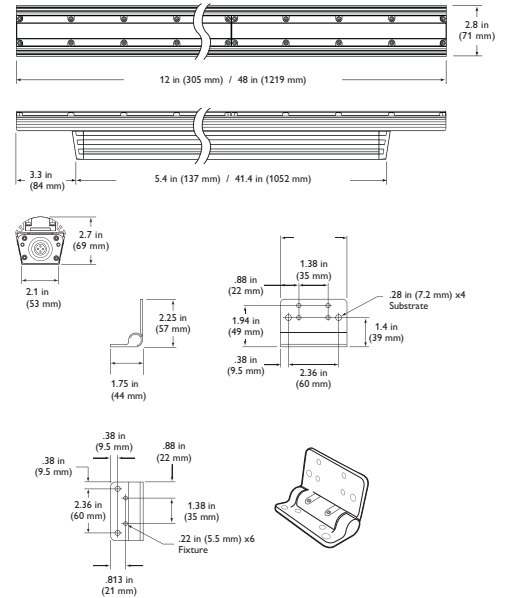
# eW Graze Powercore

2700 K, 10° x 60° beam angle

Linear, LED surface light for wall washing and grazing

eW® Graze Powercore linear LED lighting fixtures are ideal for surface grazing and wall-washing applications that require high-quality white or solid color light. Featuring Powercore® technology, eW Graze Powercore processes power directly from line voltage, eliminating the need for external power supplies. Fixtures are available in eight color temperatures, ranging from a warm 2700 K to a cool 6500 K, including standard color temperatures of 2700 K and 4000 K, and five solid colors (Royal Blue, Blue, Green, Amber, and Red). eW Graze Powercore offers superior illumination quality and dramatic energy savings for new installations and retrofit upgrades. A space-efficient, low-profile aluminum housing and flexible mounting options allow discrete placement within a wide range of compact architectural details.

- Tailor light output to specific applications — eW Graze Powercore is available in standard 1 ft and 4 ft exterior-rated housings, and standard 10° x 60° and 30° x 60° beam angles.
- High-performance illumination and beam quality — Superior beam quality offers striation-free saturation as close as 6 in (152 mm) from fixture placement with no visible light scalloping between fixtures.
- Supports new applications for white light— Long useful source life (50,000 hours at 70% lumen maintenance) significantly reduces or eliminates maintenance problems, allowing the use of white or solid color lighting in spaces where lamp maintenance may be limited or unfeasible.
- Universal power input range — eW Graze Powercore accepts line voltage input of 100, 120, 220 – 240, and 277 VAC.
- Versatile installation options — Constant torque locking hinges offer simple position control from various angles without special tools. The low-profile extruded aluminum housing accommodates installation within architectural niches of many different shapes and sizes.



- Wide range of build-to-order configurations — Additional fixture lengths, beam angles, color temperatures up to 6500 K, and solid colors (Royal Blue, Blue, Green, Amber, and Red) are available as build-to-order configurations. See the eW Graze Powercore Ordering Information specification sheet for complete details.
- “Cool lighting” functionality — eW Graze Powercore fixtures do not heat illuminated surfaces, discharge infrared radiation, or emit ultraviolet light.
- Dimming capable — Patented DIMand® technology offers smooth dimming capability with many electronic low voltage (ELV) dimmers for all input voltages.

For detailed product information, please refer to the eW Graze Powercore Product Guide at [www.colorkinetics.com/ls/essentialwhite/ewgraze/](http://www.colorkinetics.com/ls/essentialwhite/ewgraze/)





## Specifications

Due to continuous improvements and innovations, specifications may change without notice.

Item	Specification	1 ft (305 mm)	4 ft (1.2 m)
Output	Beam Angle	10° x 60°	
	Color Temperature*	2700 K	
	Lumens†	404	1616
	Efficacy (lm / W)	26.9	
	CRI	84	
	Mixing Distance	6 in (152 mm) to uniform beam saturation	
	Lumen Maintenance‡	100,000+ hours L70 @ 25° C 50,000 hours L70 @ 50° C	
Electrical	Input Voltage	100 / 120 / 220 – 240 / 277 VAC, 50 / 60 Hz	
	Power Consumption	15 W maximum at full output, steady state	60 W maximum at full output, steady state
Control	Dimming	Compatible with many commercially available ELV, trailing edge, or reverse-phase control dimmers§	
Physical	Dimensions (Height x Width x Depth)	2.7 x 12 x 2.8 in (69 x 305 x 71 mm)	2.7 x 48 x 2.8 in (69 x 1219 x 71 mm)
	Weight	2.7 lb (1.2 kg)	10.8 lb (4.9 kg)
	Housing	Extruded anodized aluminum, cool gray hinge color	
	Lens	Clear polycarbonate	
	Fixture Connectors	Integral male / female waterproof connectors	
	Humidity	0 – 95%, non-condensing	
	Temperature Ranges	-40° – 122° F (-40° – 50° C) Operating -4° – 122° F (-20° – 50° C) Startup -40° – 176° F (-40° – 80° C) Storage	
Certification and Safety	Certification	UL / cUL, FCC Class A, CE	
	Environment	Dry / Damp / Wet Location, IP66	

\* Color temperatures conform to nominal CCTs as defined in ANSI Chromaticity Standard C78.377A.



† Lumen measurement complies with IES LM-79-08 testing procedures.

‡ L70 = 70% maintenance of lumen output (when light output drops below 70% of initial output). Ambient temperatures specified. Based on measurements that comply with IES LM-80-08 testing procedures. Refer to [www.colorkinetics.com/support/appnotes/lm-80-08.pdf](http://www.colorkinetics.com/support/appnotes/lm-80-08.pdf) for more information.

§ Refer to [www.colorkinetics.com/support/appnotes/](http://www.colorkinetics.com/support/appnotes/) for specific details.

|| These figures, provided as a guideline, are accurate for this configuration only. Changing the configuration can affect the fixture run lengths.

## Fixtures

See the eW Graze Powercore Ordering Specification Sheet for a complete list of standard and build-to-order configurations.

Item	Beam Angle	Voltage	Size	Item Number	Philips 12NC
eW Graze Powercore 2700 K	10° x 60°	120 VAC	1 ft	523-000030-00	910503700276
			4 ft	523-000030-02	910503700278
		277 VAC	1 ft	523-000030-08	910503700284
			4 ft	523-000030-10	910503700286
		220 – 240 VAC	1 ft	523-000030-16	910503700292
			4 ft	523-000030-18	910503700294
		100 VAC	1 ft	523-000030-24	910503700585
			4 ft	523-000030-26	910503700302

Use Item Number when ordering in North America.

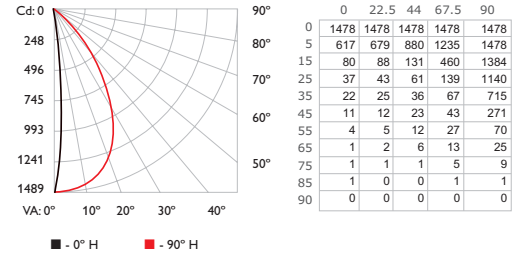


Philips Color Kinetics  
3 Burlington Woods Drive  
Burlington, Massachusetts 01803 USA  
Tel 888.385.5742  
Tel 617.423.9999  
Fax 617.423.9998  
[www.philipscolorkinetics.com](http://www.philipscolorkinetics.com)

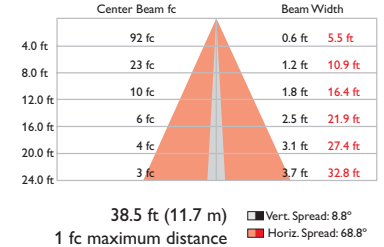
## Photometrics

2700 K, 1 ft, 10° x 60° beam angle

### Polar Candela Distribution



### Illuminance at Distance



Lumens	404
Efficacy	26.9 lm / W

For lux multiply fc by 10.7

## Accessories

Item	Type	Size	Item Number	Philips 12NC
Leader Cable	UL / cUL	50 ft (15.2 m)	108-000041-00	910503700320
	CE		108-000041-01	910503700320
Jumper Cable	UL / cUL	End-to-End	108-000039-00	910503700314
		1 ft (305 mm)	108-000039-01	910503700315
	CE	5 ft (1.5 m)	108-000039-02	910503700316
		End-to-End	108-000040-00	910503700317
Glare Shield	UL / cUL	1 ft (305 mm)	108-000040-01	910503700318
		5 ft (1.5 m)	108-000040-02	910503700319
		1 ft (305 mm)	120-000081-00	910503700745
	CE	2 ft (610 mm)	120-000081-01	910503700746
		3 ft (914 mm)	120-000081-02	910503700747
		4 ft (1.2 m)	120-000081-03	910503700748
Additional Terminators		Quantity 10	120-000074-00	910503700580
Additional Hinge		Quantity 1	120-000098-00	910503700772

Use Item Number when ordering in North America.

Copyright © 2008 – 2010 Philips Solid-State Lighting Solutions, Inc. All rights reserved. Chromacore, Chromasic, CK, the CK logo, Color Kinetics, the Color Kinetics logo, ColorBlast, ColorBlaze, ColorBurst, eW Fuse, ColorGraze, ColorPlay, ColorReach, iW Reach, eW Reach, DIMand, EssentialWhite, eW, iColor, iColor Cove, IntelliWhite, iW, iPlayer, Optibin, and Powercore are either registered trademarks or trademarks of Philips Solid-State Lighting Solutions, Inc. in the United States and / or other countries. All other brand or product names are trademarks or registered trademarks of their respective owners. Due to continuous improvements and innovations, specifications may change without notice. DAS-000009-01 R05 12-10

Job:  
 Type:  
 Notes:



# 96 Line

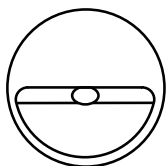
## LED Steplights

The Gardco 96 Line LED steplights are architecturally styled luminaires of minimal scale. The mounting base is precisely constructed of die cast aluminum. Faceplates are available in molded composite or die cast aluminum. The 96 Line was specifically designed for use with LEDs and all types of wall construction. A choice of four (4) architectural shapes allows for a wide variety of applications, in both interior and exterior settings.

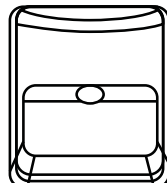
PREFIX	MOUNTING	WATTAGE	VOLTAGE	FINISH
DFC7-DIM	J		UNIV	

Enter the order code into the appropriate box above. Note: Gardco reserves the right to refuse a configuration. Not all combinations and configurations are valid. Refer to notes below for exclusions and limitations. For questions or concerns, please consult the factory.

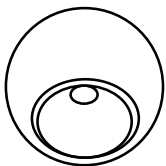
### PREFIX



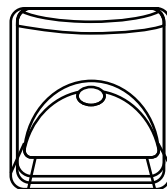
960 Round



962 Square



961 Round



963 Square

96 Line Available Configurations	
Composite Faceplate	Aluminum Faceplate
960C	960A
961C	
962C	962A
963C	

### MOUNTING

**S** Surface mount for wall or ceiling

### WATTAGE

**4** 4 watt LED / 3,000° K / 85 CRI

### VOLTAGE

**UNIV** 120V through 277V (50hz or 60hz)

### FINISH

- BLP** Black (Standard composite material color)
- BRP** Bronze Paint
- WP** White Paint
- NP** Natural Aluminum Paint
- OC** Optional Color Paint  
(Specify RAL designation. ex: OC-RAL7024)
- SC** Special Color Paint  
(Specify. Must supply color chip)

1611 Clovis Barker Road, San Marcos, TX 78666  
 (800) 227-0758 (512) 753-1000 FAX: (512) 753-7855 [sitelighting.com](http://sitelighting.com)

© 2010 Koninklijke Philips Electronics N.V. All Rights Reserved.

Philips Gardco reserves the right to change materials or modify the design of its product without notification as part of the company's continuing product improvement program.

G200-012/0610

**PHILIPS**





### SPECIFICATIONS

**GENERAL DESCRIPTION:** The Gardco 96 Line LED steplights are architecturally styled luminaires of minimal scale. The mounting base is precisely constructed of die cast aluminum. Faceplates are available in molded composite or die cast aluminum. The 96 Line was specifically designed for use with LEDs and all types of wall construction. A choice of four (4) architectural shapes allows for a wide variety of applications, both inside and outside buildings.

**COVER:** The composite housing cover is molded using high impact resistant, UV stabilized, thermoplastic with an integral, textured surface. The aluminum housing cover is die cast aluminum. Cover is secured to the housing with a hex socket set screw.

#### POWER-PACK BASE ASSEMBLY:

**BASE ASSEMBLY:** The mounting base is constructed of one-piece die cast aluminum and is suitable for mounting over a recessed 3 1/2" or 4" octagonal or 4" square recessed box (supplied by others.) A separate mounting plate is supplied for mounting to a recessed 4" square outlet box.

The mounting base includes an integral bubble level to assist in leveling the luminaire.

**POWER-PACK:** The encapsulated power components are integrated into the mounting base. The permanent Power-Pack includes a single, 4 watt LED attached to a power supply. The complete Power-Pack is replaced at end of LED life.

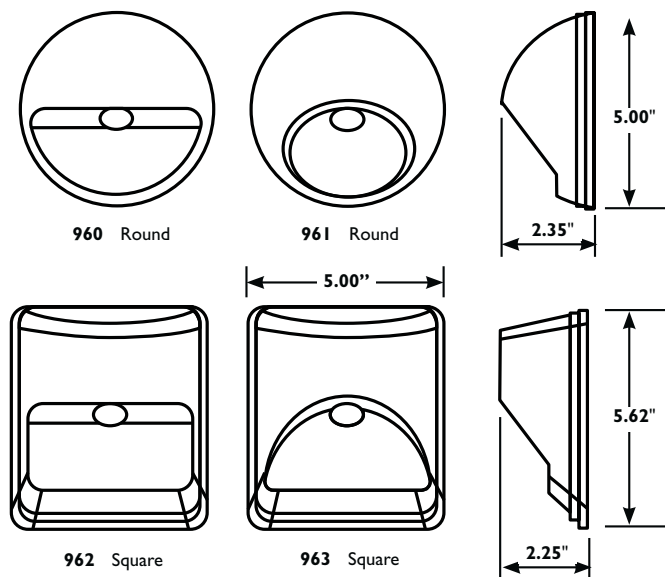
**ELECTRICAL:** 96 Line LED Steplights accept 120 volt through 27V, 50hz or 60hz, input.

**FINISH:** Black (BLP) is permanently molded into the composite BLP housing cover. All other colors are painted using a semi-gloss, liquid polyurethane finish or a TGIC polyester powder coat.

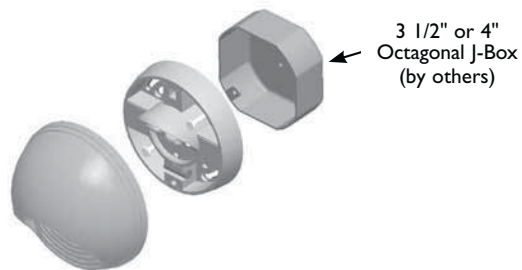
**LABELS:** All luminaires bear U.L. or C.U.L. (where applicable) Wet Location labels.

**WARRANTY:** Gardco luminaires feature a 5 year limited warranty. Gardco LED luminaires with LED arrays or modules feature a 5 year limited warranty covering the LED arrays or modules. See Warranty Information on [www.sitelighting.com](http://www.sitelighting.com) for complete details and exclusions.

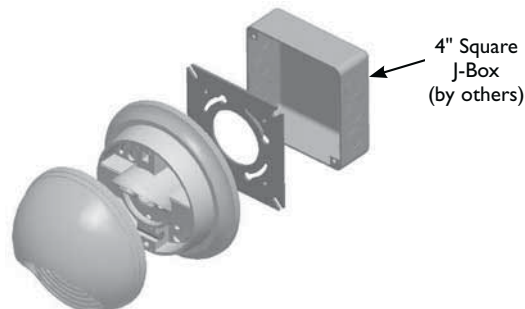
### DIMENSIONS



#### MOUNTING OVER 3 1/2" OR 4" RECESSED OCTAGONAL J-BOX



#### MOUNTING OVER 4" RECESSED SQUARE J-BOX





# Exterior Lighting Compliance Certificate

## 90.1 (2007) Standard

### Section 1: Project Information

Project Type: **New Construction**

Project Title : St. Paul's Catholic Center

Construction Site:  
723 State Street  
Madison, WI 53703

Owner/Agent:

Designer/Contractor:

KJWW Engineering Consultants  
802 W. Broadway, Suite 312  
Madison, WI 53713  
608-223-9600

### Section 2: Exterior Lighting Area/Surface Power Calculation

A Exterior Area/Surface	B Quantity	C Allowed Watts / Unit	D Tradable Wattage	E Allowed Watts (B x C)	F Proposed Watts
Mosaic (Special feature area)	621 ft2	0.2	Yes	124	360
Main entry/exit	36 ft of door width	30	Yes	1080	771
Other entry/exit	6 ft of door width	20	Yes	120	130
Parking area(s)	620 ft2	0.15	Yes	93	234
Walkway < 10 feet wide	425 ft of walkway length	1	Yes	425	245
Plaza area	2646 ft2	0.2	Yes	529	128
Cupola (Special feature area)	501 ft2	0.2	Yes	100	465
Cross at Cupola (Special feature area)	48 ft2	0.2	Yes	10	100
Cross at Pediment (Special feature area)	24 ft2	0.2	Yes	5	75
West Facade (Illuminated area of wall or surface)	237 ft2	0.2	No	47	77
North Facade (Illuminated area of wall or surface)	1197 ft2	0.2	No	239	330
East Facade (Illuminated area of wall or surface)	1263 ft2	0.2	No	253	240
South Facade (Illuminated area of wall or surface)	247 ft2	0.2	No	49	60
Total Tradable Watts* =				2486	2508
Total Allowed Watts =				3075	
Total Allowed Supplemental Watts** =				154	

\* Wattage tradeoffs are only allowed between tradable areas/surfaces.

\*\* A supplemental allowance equal to 5% of total allowed wattage may be applied toward compliance of both non-tradable and tradable areas/surfaces.

### Section 3: Exterior Lighting Fixture Schedule

A Fixture ID : Description / Lamp / Wattage Per Lamp / Ballast	B Lamps/ Fixture	C # of Fixtures	D Fixture Watt.	E (C X D)
Mosaic ( Special feature area 621 ft2): Tradable Wattage				
Halogen 1 copy 2: S8: LED - 12 INCH WALL GRAZER / Other	1	24	15	360
Main entry/exit (36 ft of door width): Tradable Wattage				
Halogen 1: S3: LED - 6 INCH COVE / Other	1	138	2	276
Compact Fluorescent 1: S6: SCONCE / BIAx 39W / Electronic	1	11	45	495
Other entry/exit (6 ft of door width): Tradable Wattage				
Halogen 1 copy 3: S5: LED - SCONCE / Other	1	10	13	130
Parking area(s) (620 ft2): Tradable Wattage				
Halogen 1 copy 3: S10: LED - DOWNLIGHT / Other	1	18	13	234

Walkway < 10 feet wide (425 ft of walkway length): Tradable Wattage				
Halogen 1 copy 4: S7: FULL CUTOFF WALLPACK / Other	1	7	35	245
Plaza area (2646 ft2): Tradable Wattage				
Halogen 1 copy 4: S9: LED - STEPLIGHT / Other	1	32	4	128
Cupola ( Special feature area 501 ft2): Tradable Wattage				
Halogen 1 copy 1: S4: LED-12 INCH COVE / Other	1	155	3	465
Cross at Cupola ( Special feature area 48 ft2): Tradable Wattage				
HID 1 copy 1: CROSS: ALLOWANCE FOR INTERNAL LED / Other / Standard	1	1	100	100
Cross at Pediment ( Special feature area 24 ft2): Tradable Wattage				
HID 1 copy 2: CROSS: ALLOWANCE FOR INTERNAL LED / Other / Standard	1	1	75	75
West Facade ( Illuminated area of wall or surface 237 ft2): Non-tradable Wattage				
HID 1 copy 5: S10: LED - DOWNLIGHT / Other / Standard	1	7	11	77
North Facade ( Illuminated area of wall or surface 1197 ft2): Non-tradable Wattage				
HID 1 copy 4: S1: LED - NARROW SPOT 1168 LUMEN / Other / Standard	1	6	30	180
HID 1 copy 6: S2: LED - NARROW SPOT 5524 LUMEN / Other / Standard	1	2	75	150
East Facade ( Illuminated area of wall or surface 1263 ft2): Non-tradable Wattage				
HID 1 copy 3: S1: LED - NARROW SPOT 1168 LUMEN / Other / Standard	1	8	30	240
South Facade ( Illuminated area of wall or surface 247 ft2): Non-tradable Wattage				
HID 1 copy 4: S1: LED - NARROW SPOT 1168 LUMEN / Other / Standard	1	2	30	60
Total Tradable Proposed Watts =				2508

## Section 4: Requirements Checklist

### Lighting Wattage:

1. Within each non-tradable area/surface, total proposed watts must be less than or equal to total allowed watts. Across all tradable areas/surfaces, total proposed watts must be less than or equal to total allowed watts.

**Compliance:** Passes using supplemental allowance watts.

### Controls, Switching, and Wiring:

2. All exemption claims are associated with fixtures that have a control device independent of the control of the nonexempt lighting.
3. All lighting fixtures are controlled by a photosensor or astronomical time switch that is capable of automatically turning off the fixture when sufficient daylight is available or the lighting is not required.

*Exceptions:*

- Covered vehicle entrance/exit areas requiring lighting for safety, security and eye adaptation.

### Exterior Lighting Efficacy:

4. All exterior building grounds luminaires that operate at greater than 100W have minimum efficacy of 60 lumen/watt.

*Exceptions:*

- Lighting that has been claimed as exempt and is identified as such in Section 3 table above.
- Lighting that is specifically designated as required by a health or life safety statute, ordinance, or regulation.
- Emergency lighting that is automatically off during normal building operation.
- Lighting that is controlled by motion sensor.

**Exterior Lighting PASSES:** Design 0.1% better than code.

## Section 5: Compliance Statement

*Compliance Statement:* The proposed exterior lighting design represented in this document is consistent with the building plans, specifications and other calculations submitted with this permit application. The proposed lighting system has been designed to meet the 90.1 (2007) Standard requirements in COMcheck Version 3.9.0 and to comply with the mandatory requirements in the Requirements Checklist.

\_\_\_\_\_  
Name - Title

\_\_\_\_\_  
Signature

\_\_\_\_\_  
Date

## Section 5: Post Construction Compliance Statement

### Record Drawings and Operating and Maintenance Manuals:

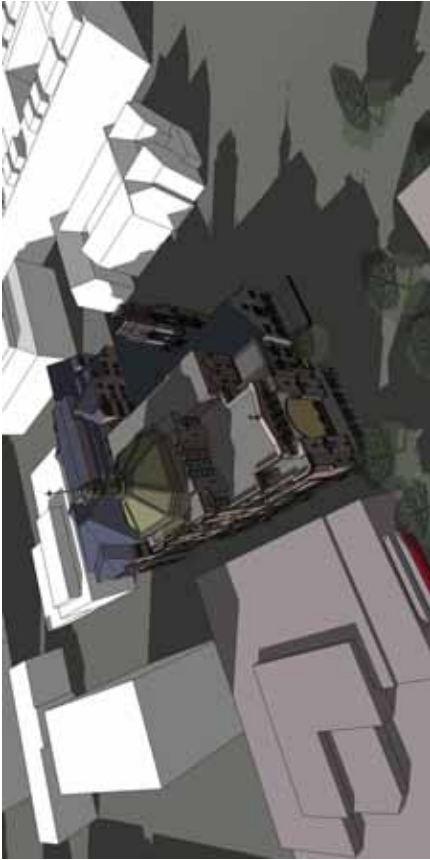
- 1. Construction documents with record drawings and operating and maintenance manuals provided to the owner.

---

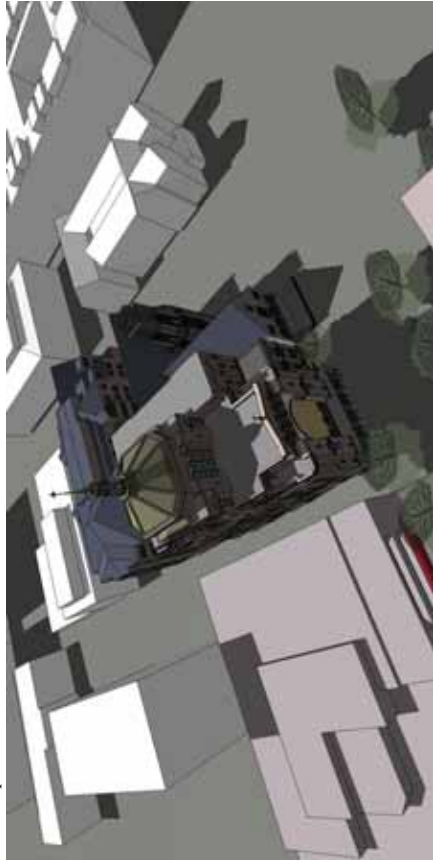
Lighting Designer or Contractor Name

Signature

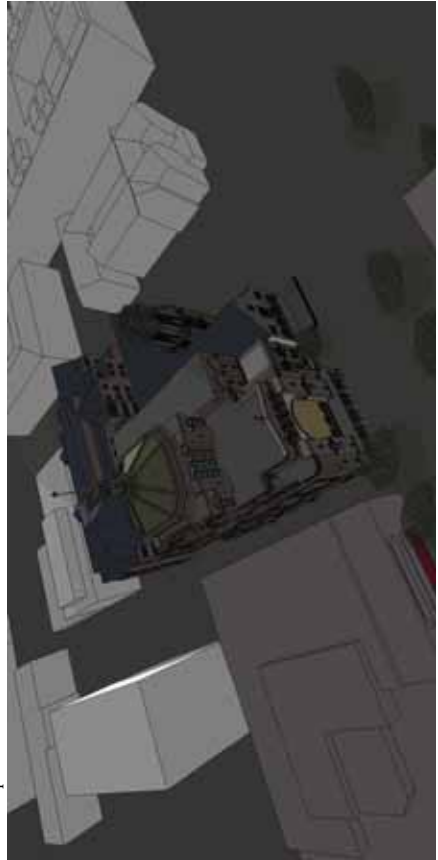
Date



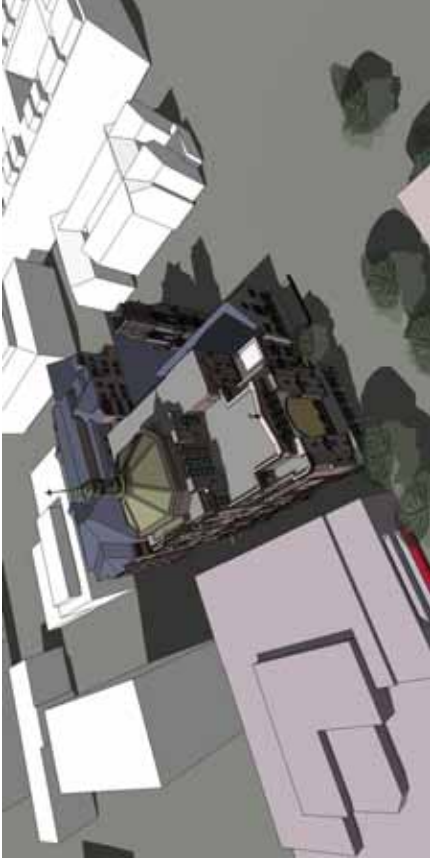
Vernal Equinox - 9 a.m.



Vernal Equinox - Noon



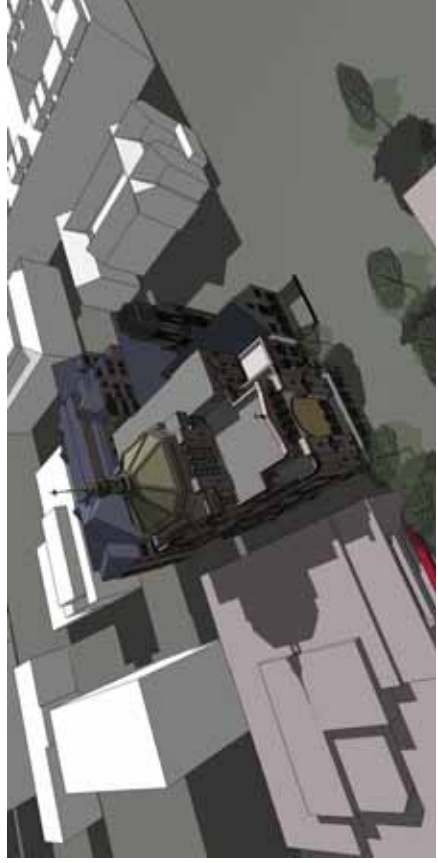
Vernal Equinox - 4 p.m.



Summer Solstice - 9 a.m.

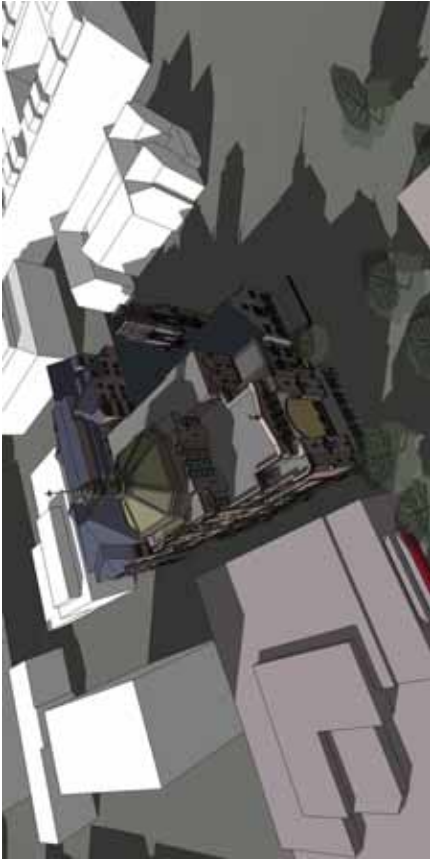


Summer Solstice - Noon

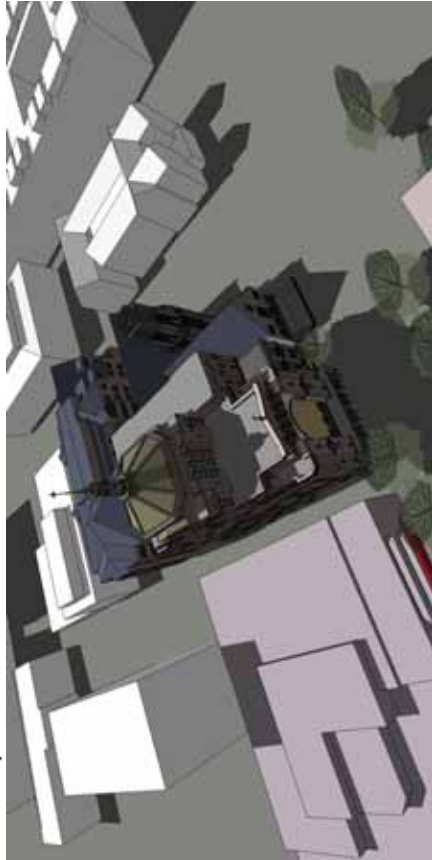


Summer Solstice - 4 p.m.

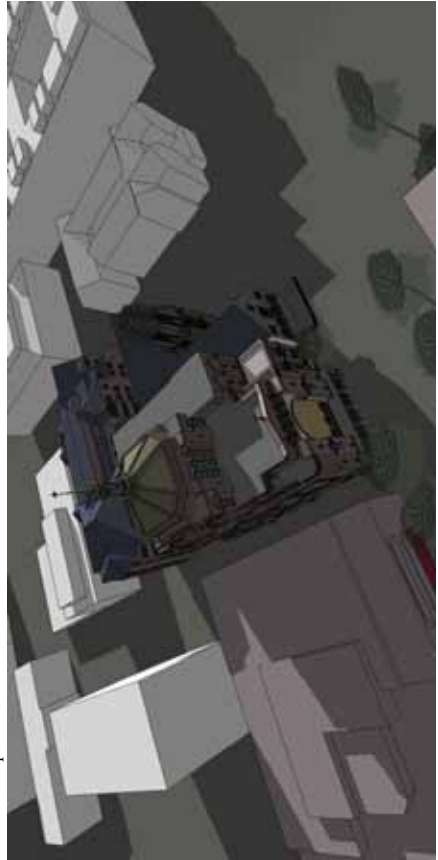




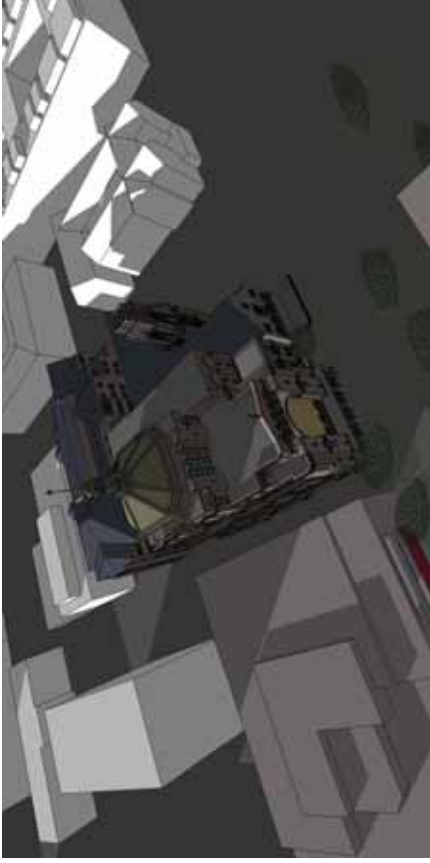
Autumnal Equinox - 9 a.m.



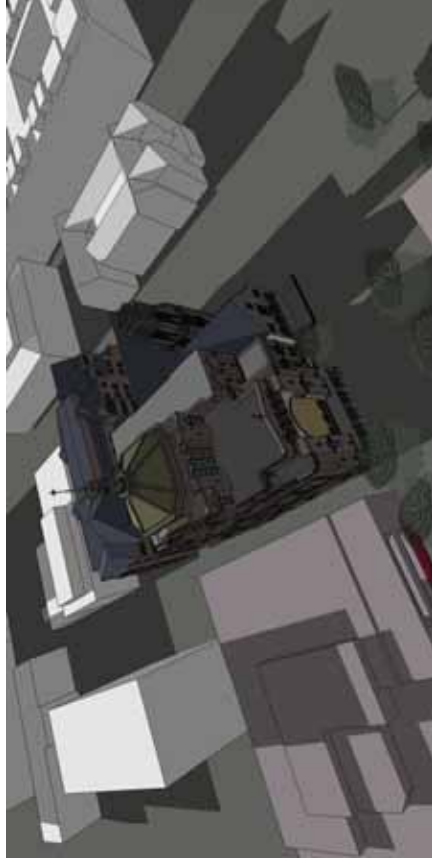
Autumnal Equinox - Noon



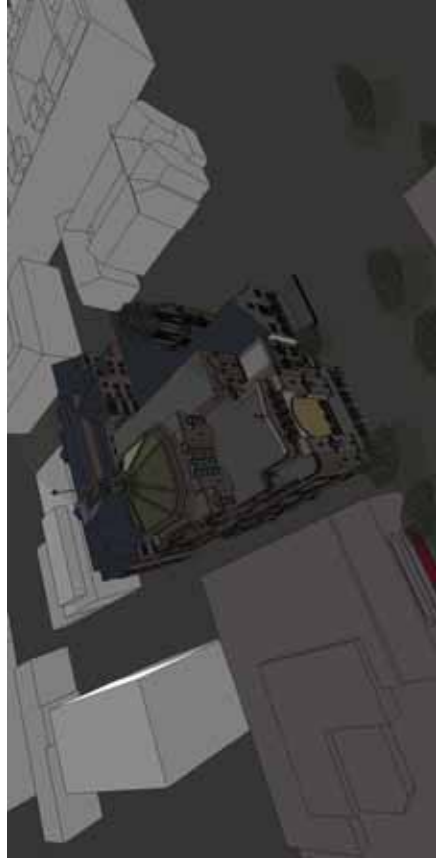
Autumnal Equinox - 4 p.m.



Winter Solstice - 9 a.m.



Winter Solstice - Noon

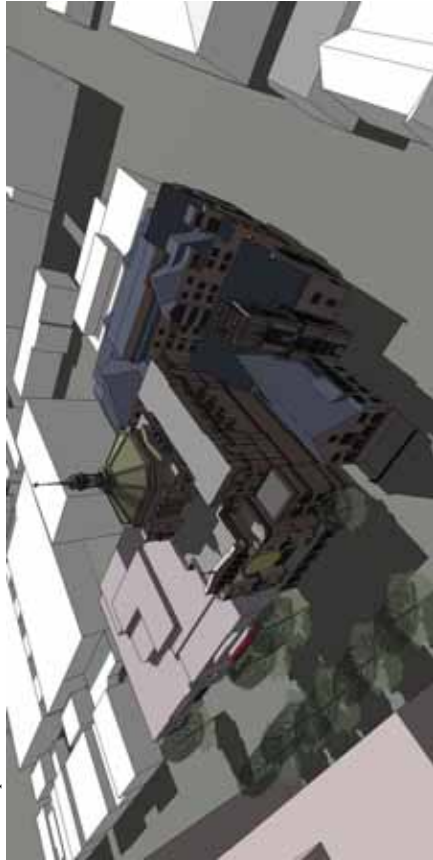


Winter Solstice - 4 p.m.

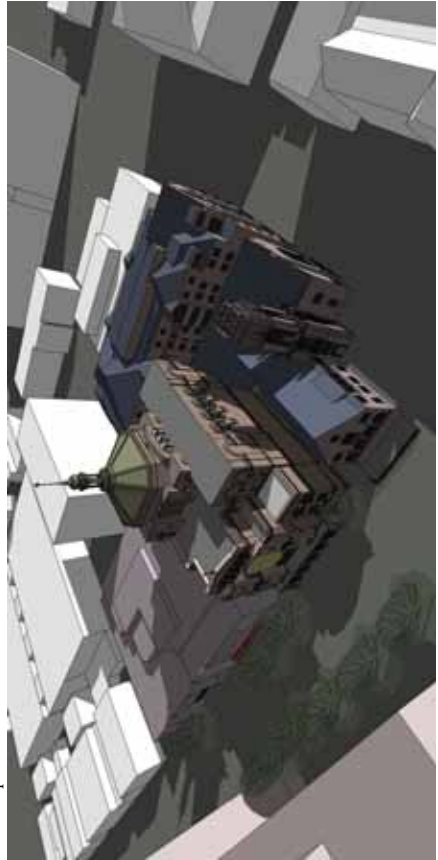




Vernal Equinox - 9 a.m.



Vernal Equinox - Noon



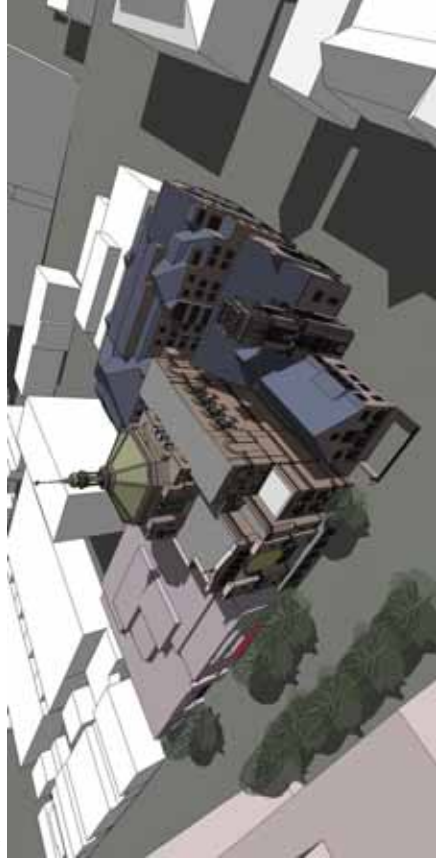
Vernal Equinox - 4 p.m.



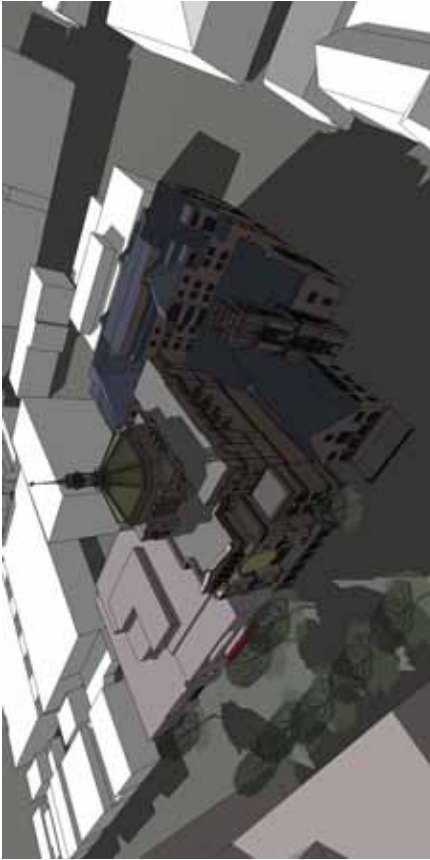
Summer Solstice - 9 a.m.



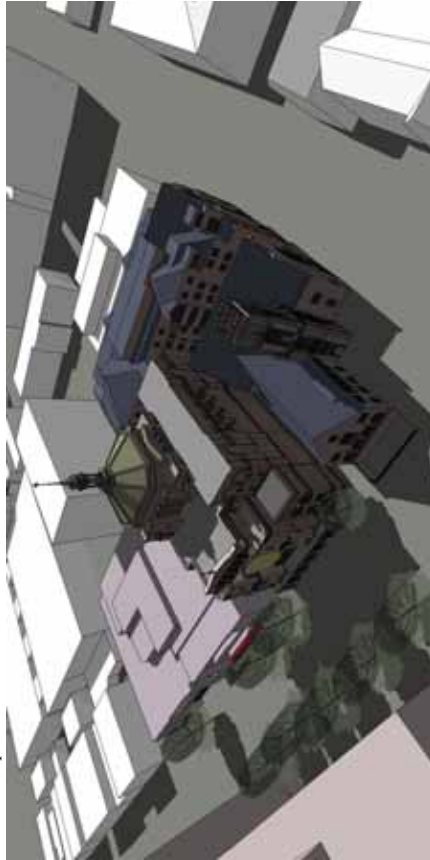
Summer Solstice - Noon



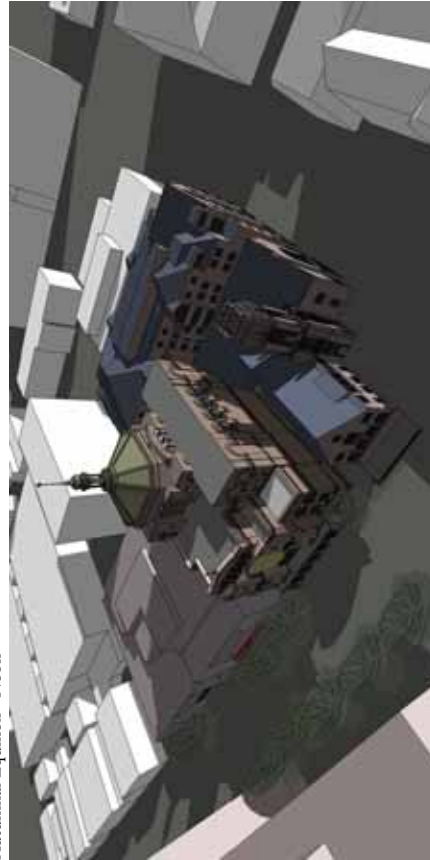
Summer Solstice - 4 p.m.



Autumnal Equinox - 9 a.m.



Autumnal Equinox - Noon



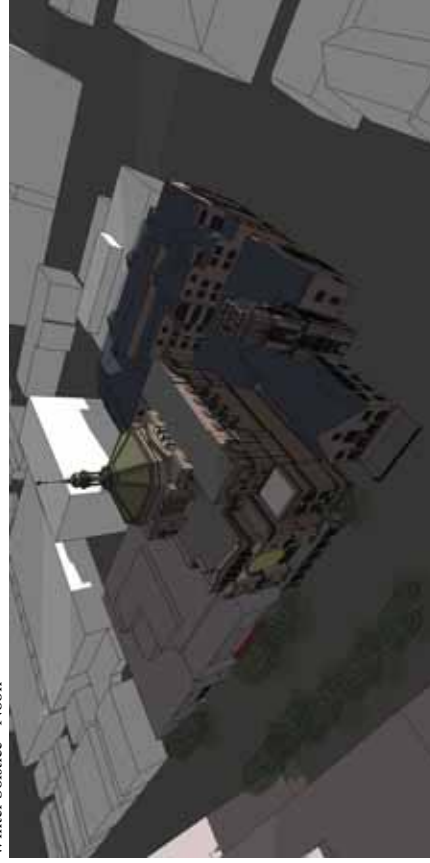
Autumnal Equinox - 4 p.m.



Winter Solstice - 9 a.m.



Winter Solstice - Noon



Winter Solstice - 4 p.m.



Vernal Equinox - 9 a.m.



Vernal Equinox - Noon

Vernal Equinox - 4 p.m.



Vernal Equinox - 4 p.m.



Summer Solstice - 9 a.m.



Summer Solstice - Noon



Summer Solstice - 4 p.m.



Autumnal Equinox - 9 a.m.



Autumnal Equinox - Noon



Autumnal Equinox - 4 p.m.



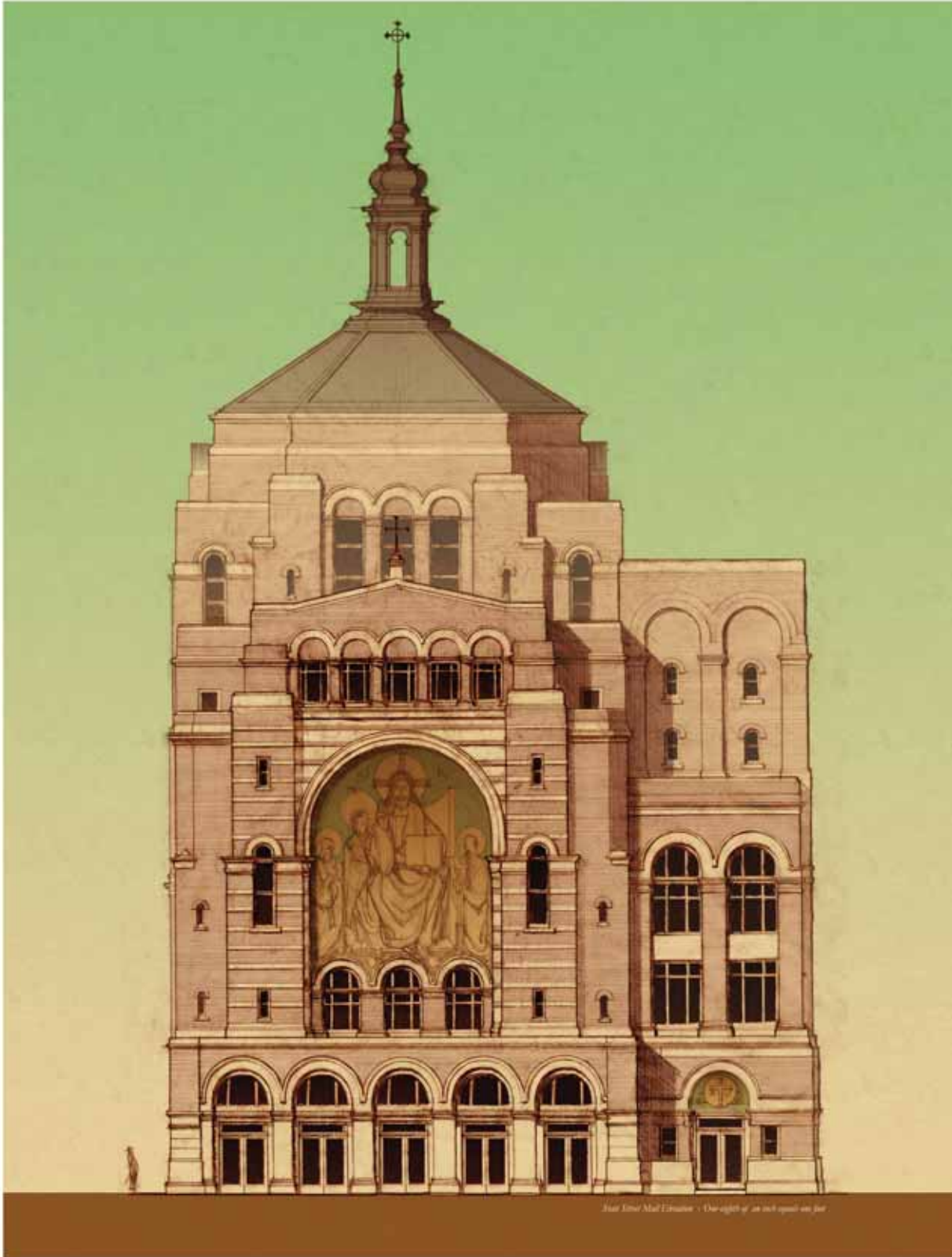
Winter Solstice - 9 a.m.



Winter Solstice - Noon



Winter Solstice - 4 p.m.



*St. Paul Mall Elevation - One-eight of an inch equal one foot*







CHRIST IS THE IMAGE OF THE INVISIBLE GOD THE FIRSTBORN OF EVERY CREATURE  
AND HE IS BEFORE ALL AND BY HIM ALL THINGS CONSIST AND HE IS THE HEAD  
OF THE BODY, THE CHURCH, WHO IS THE BEGINNING, THE FIRSTBORN OF THE DEAD

**RDG...**  
PLANNING • DESIGN

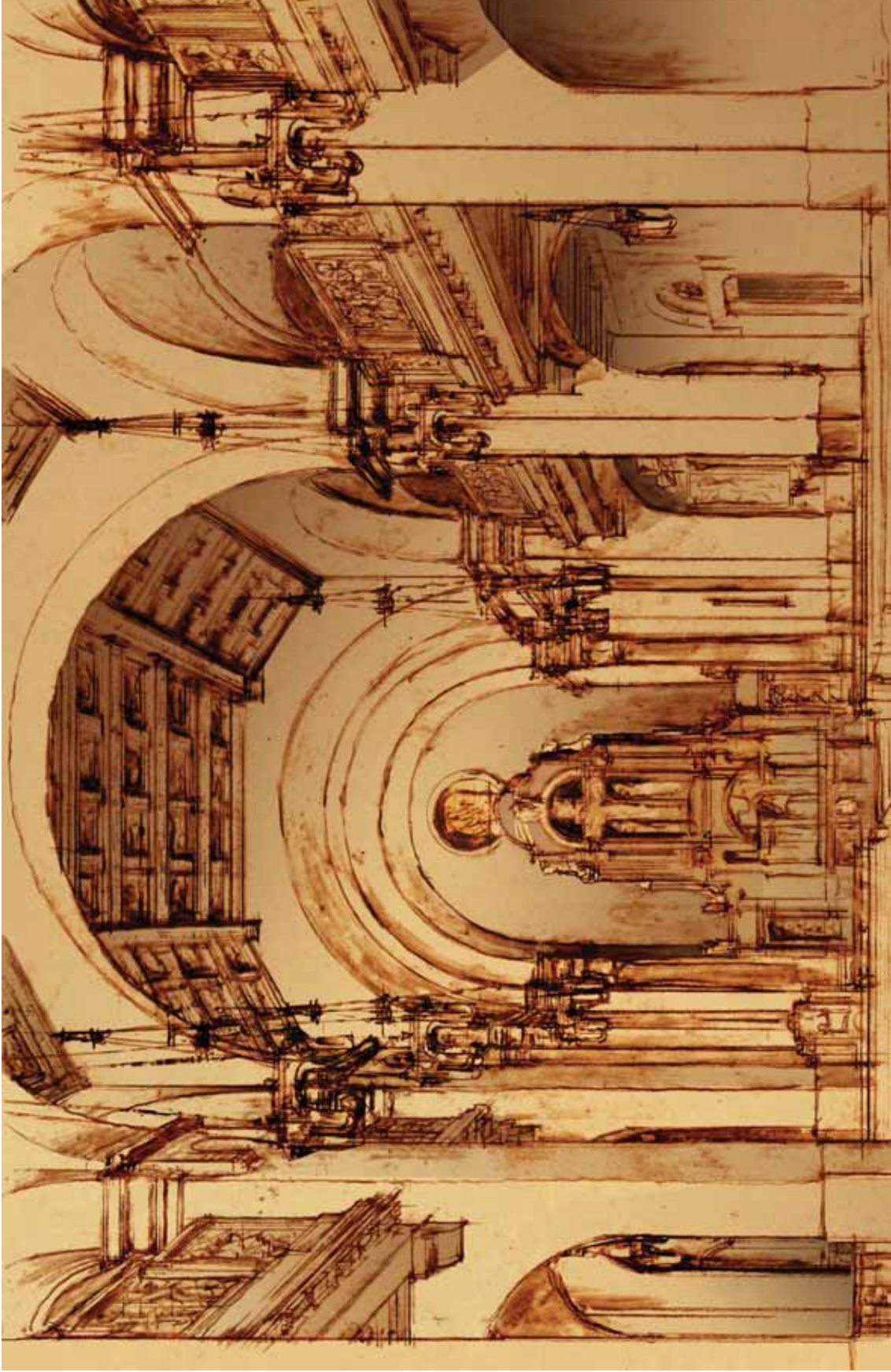
# ST. PAUL University Catholic Center

6th Floor Murphy Room



November 14, 2011



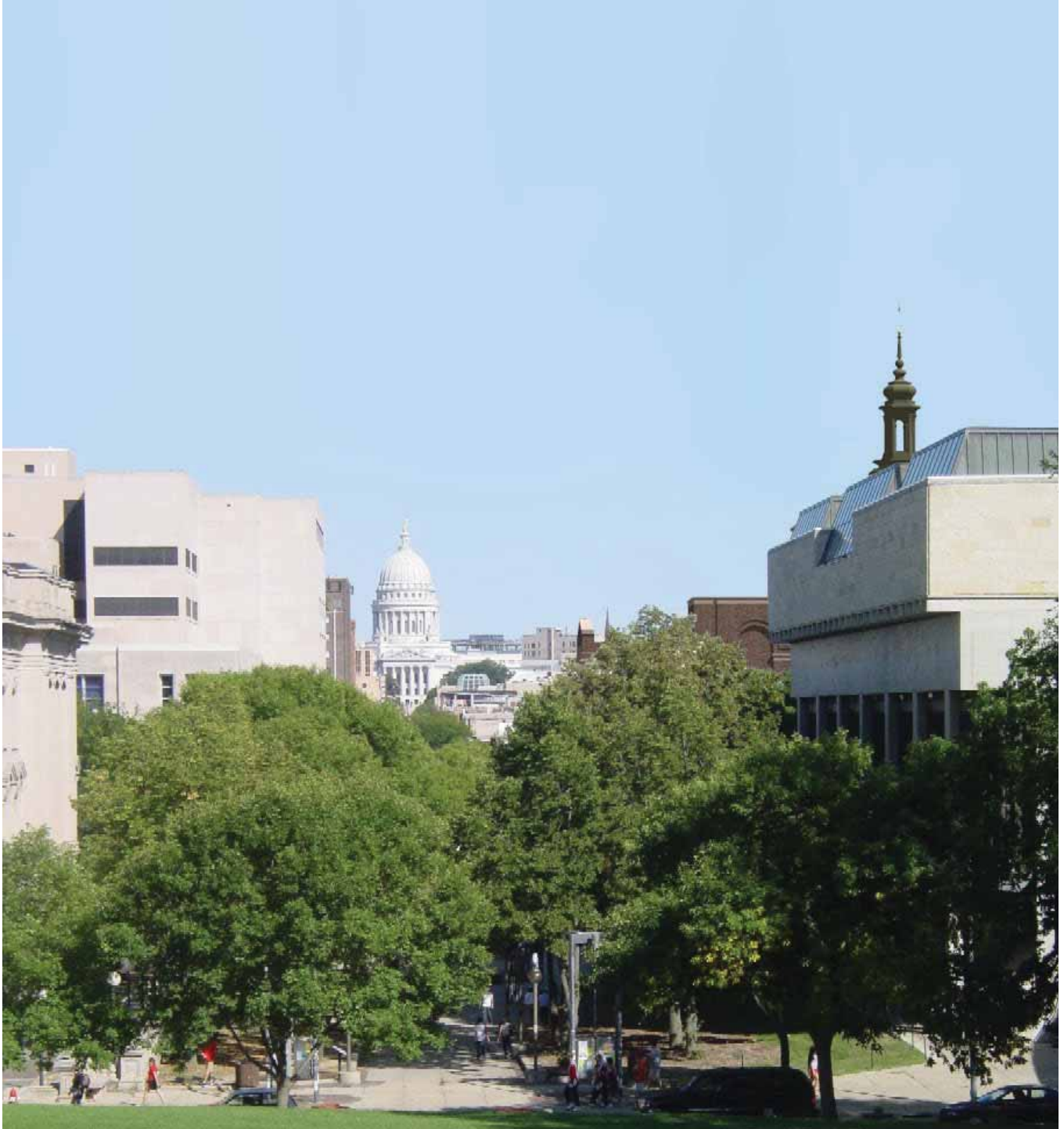


# ST. PAUL University Catholic Center

Chapel Interior

November 14, 2011













# ST. PAUL University Catholic Center

View from South on University Ave      November 14, 2011

**RDG**...  
PLANNING • DESIGN







# ST. PAUL University Catholic Center

View from Northwest

November 14, 2011







# ST. PAUL University Catholic Center

View from Northwest

November 14, 2011

**RDG**...  
PLANNING • DESIGN

**ms**  
MAGAZINE STUDIOS



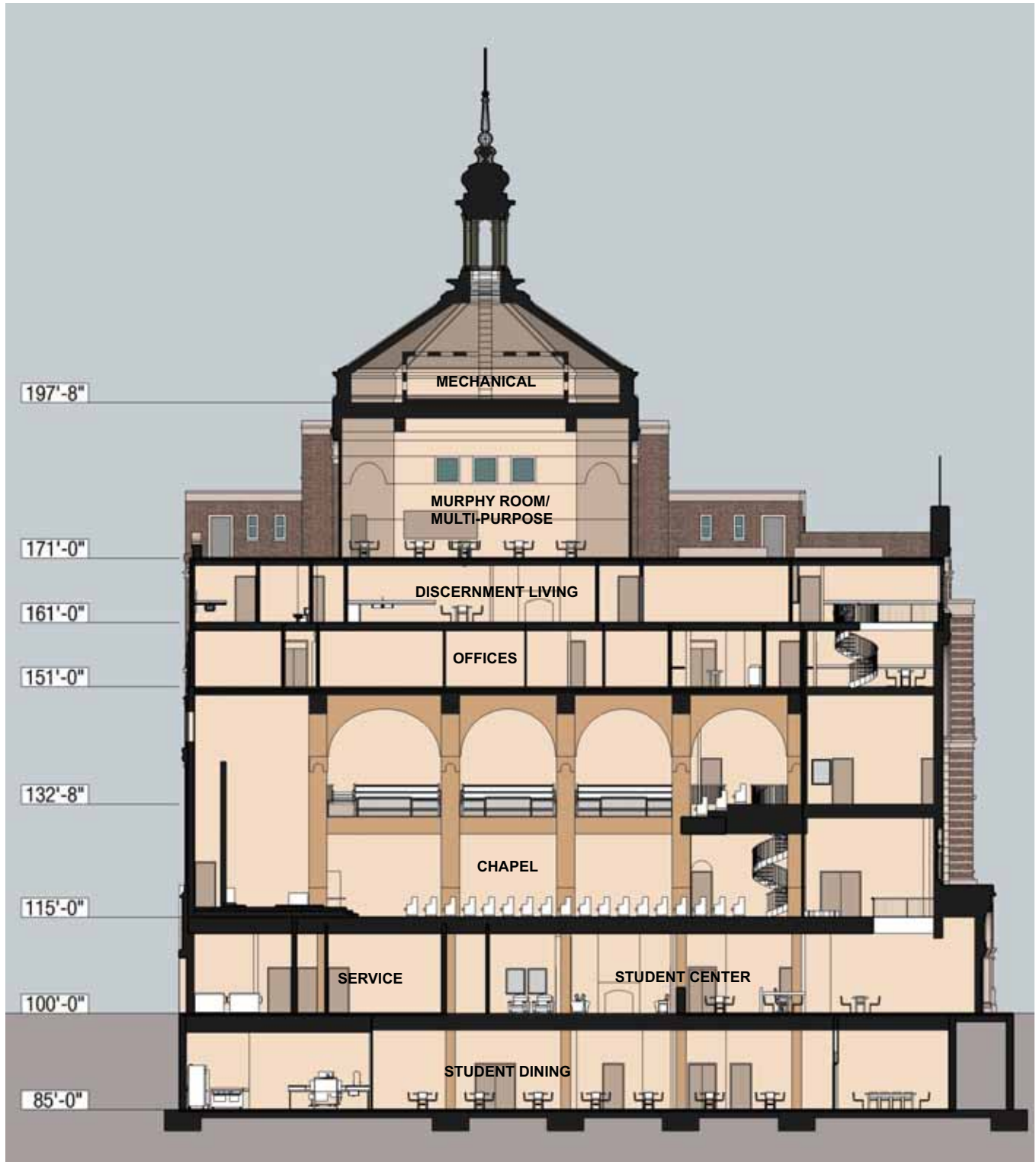
**RDG...**  
PLANNING • DESIGN

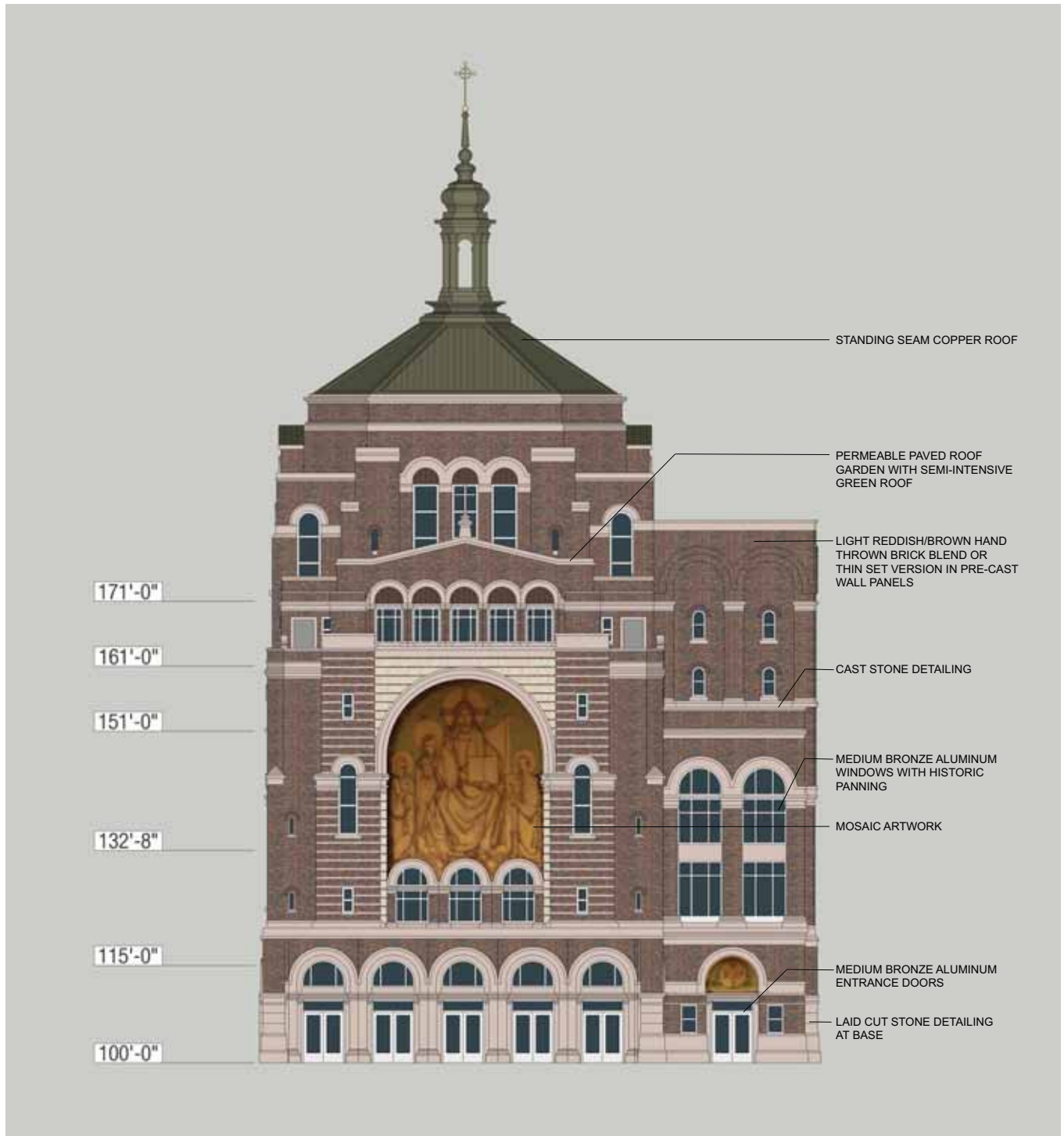
# ST. PAUL University Catholic Center

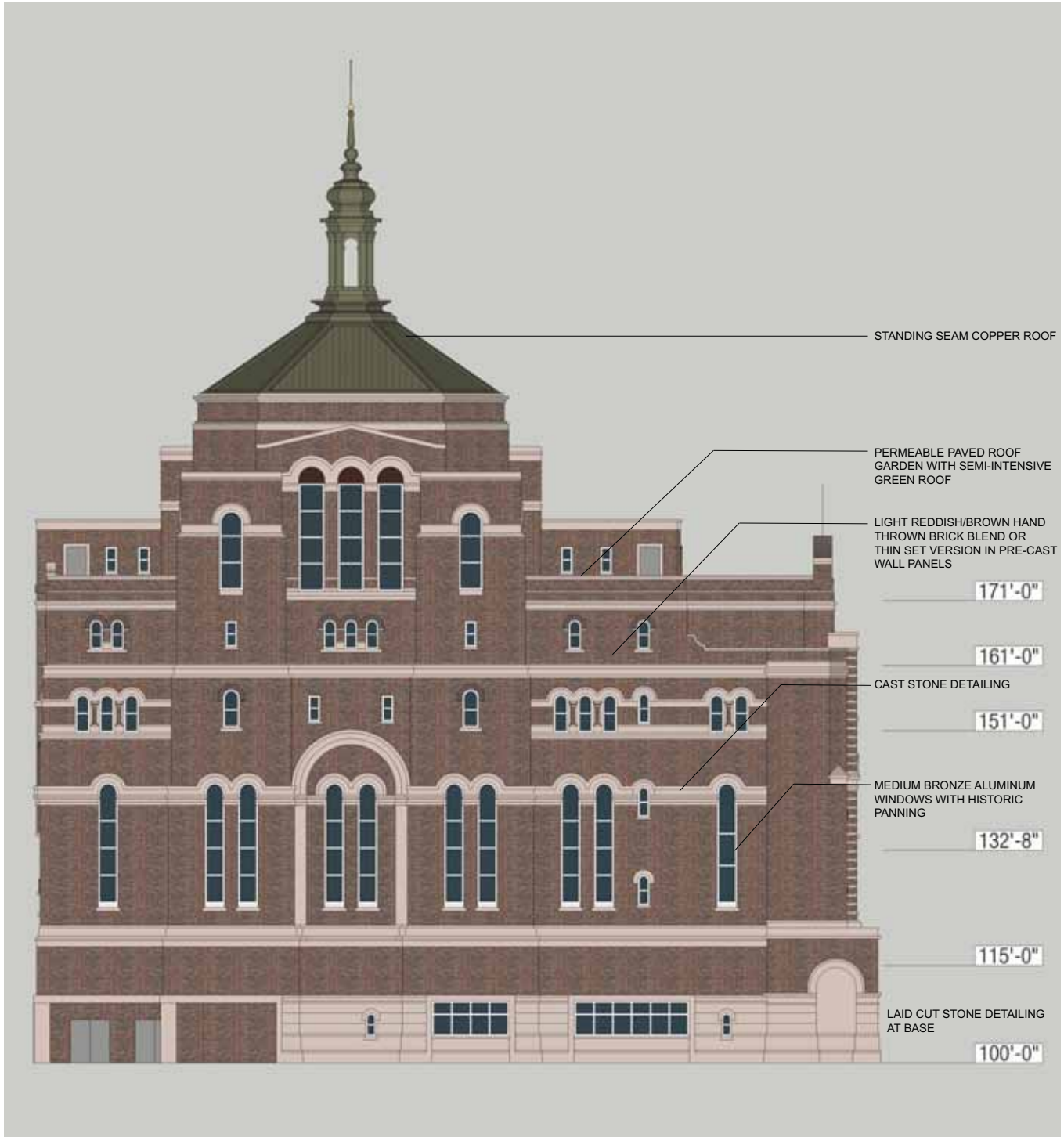
View from West

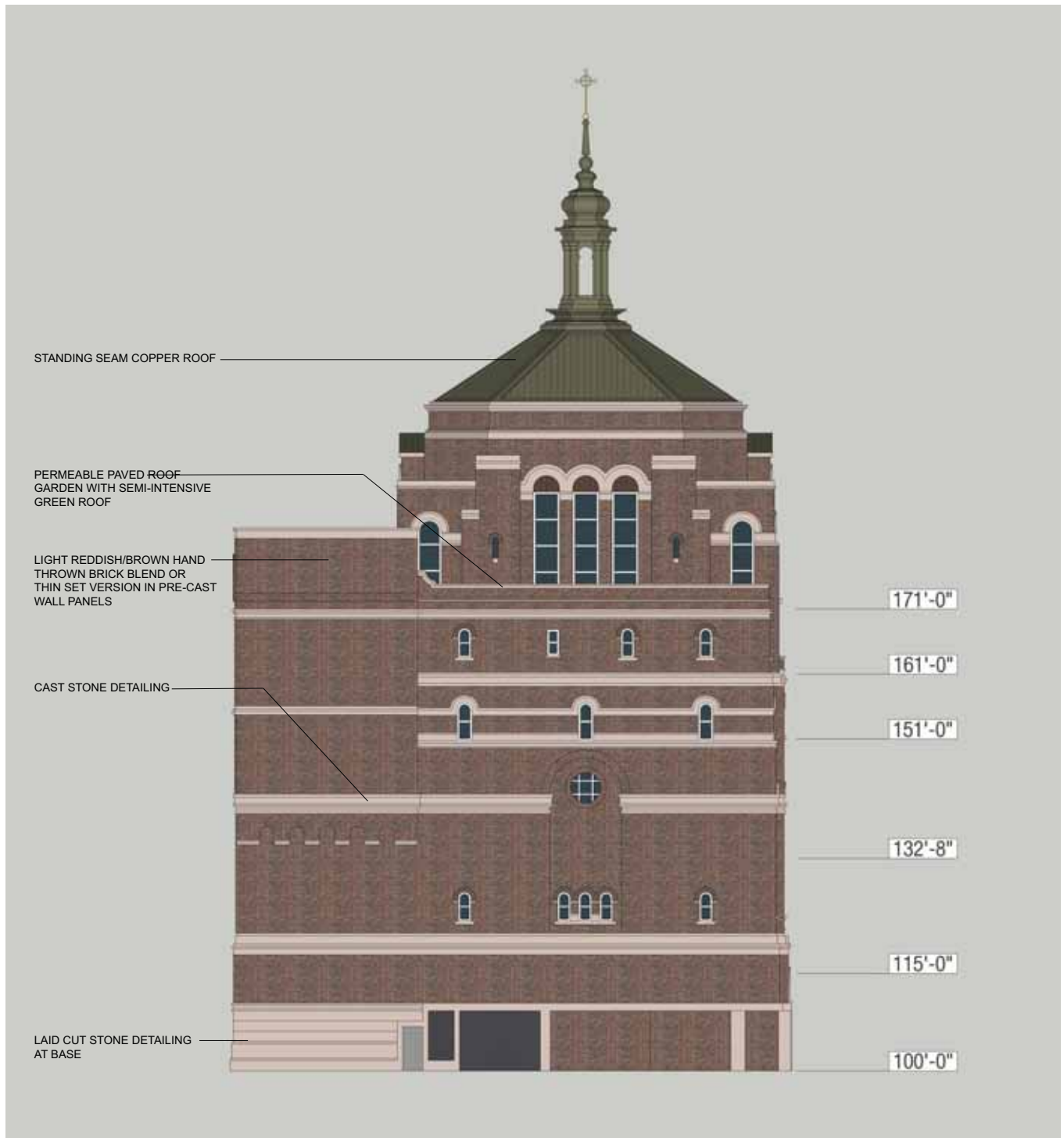
November 14, 2011

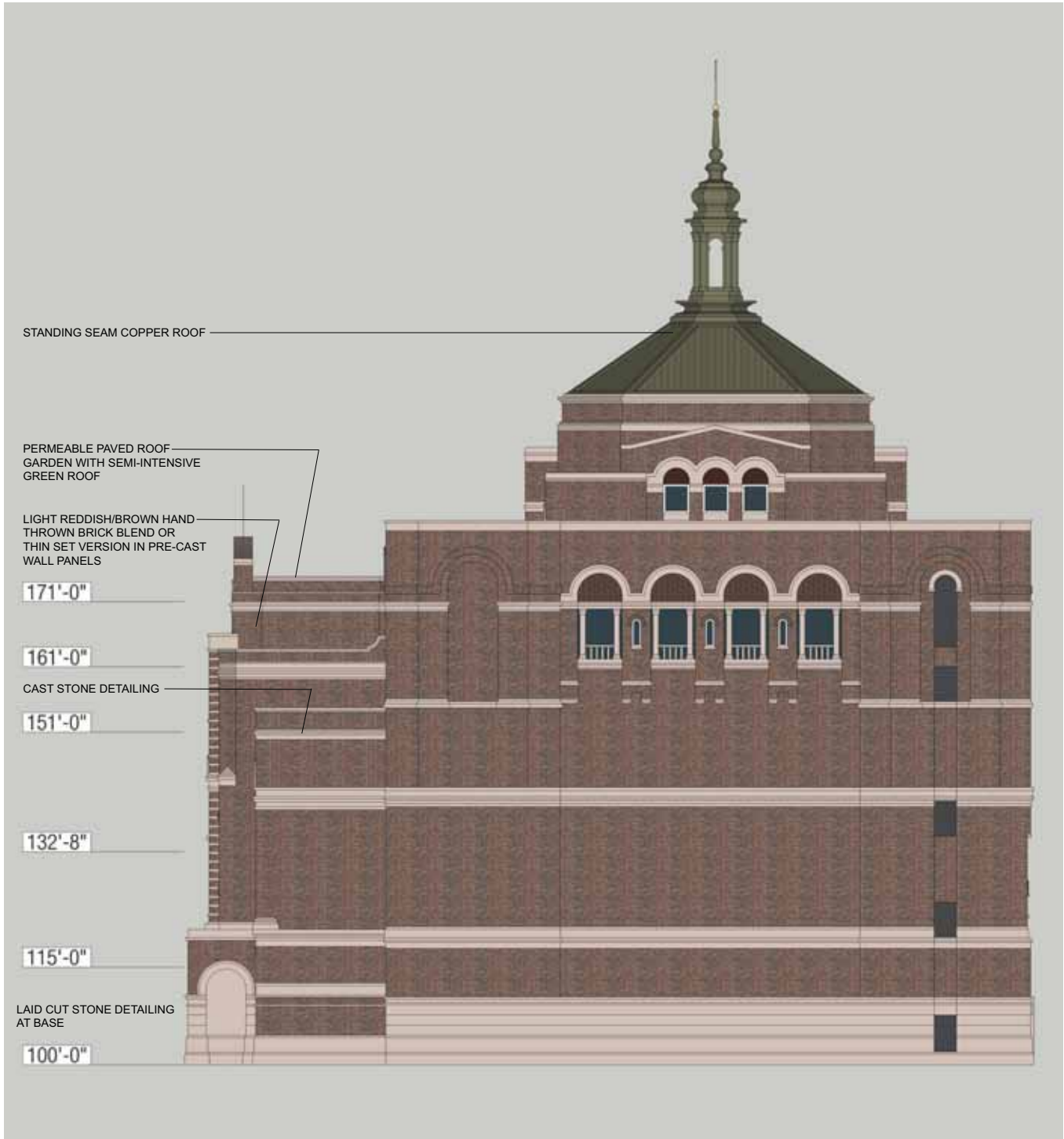














# ST. PAUL University Catholic Center

South Elevation of State Street Mall

November 14, 2011





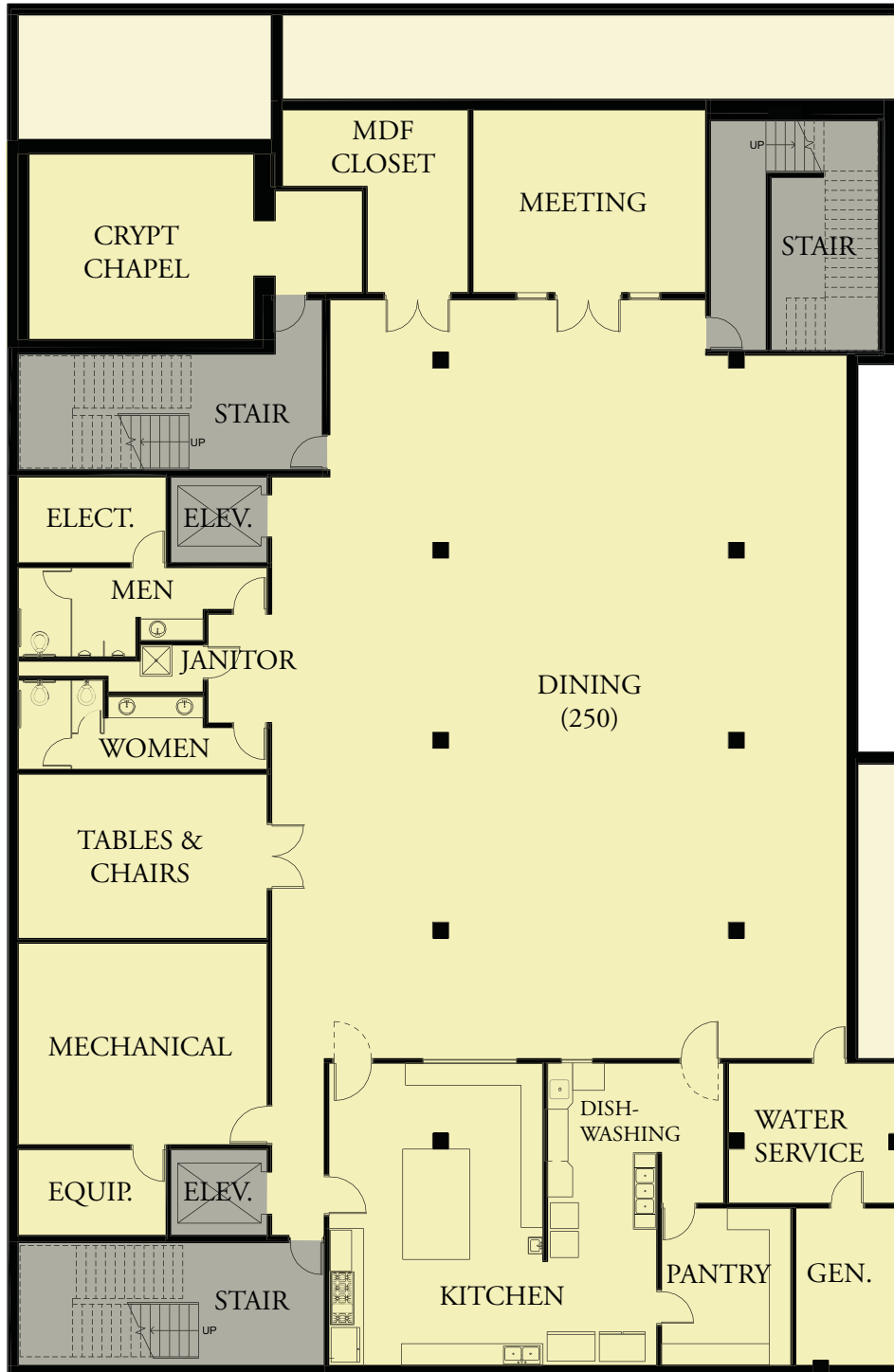


# ST. PAUL University Catholic Center

East Elevation of East Campus Mall

November 14, 2011





**ST. PAUL** University Catholic Center

Level B1 - Basement & Refectory

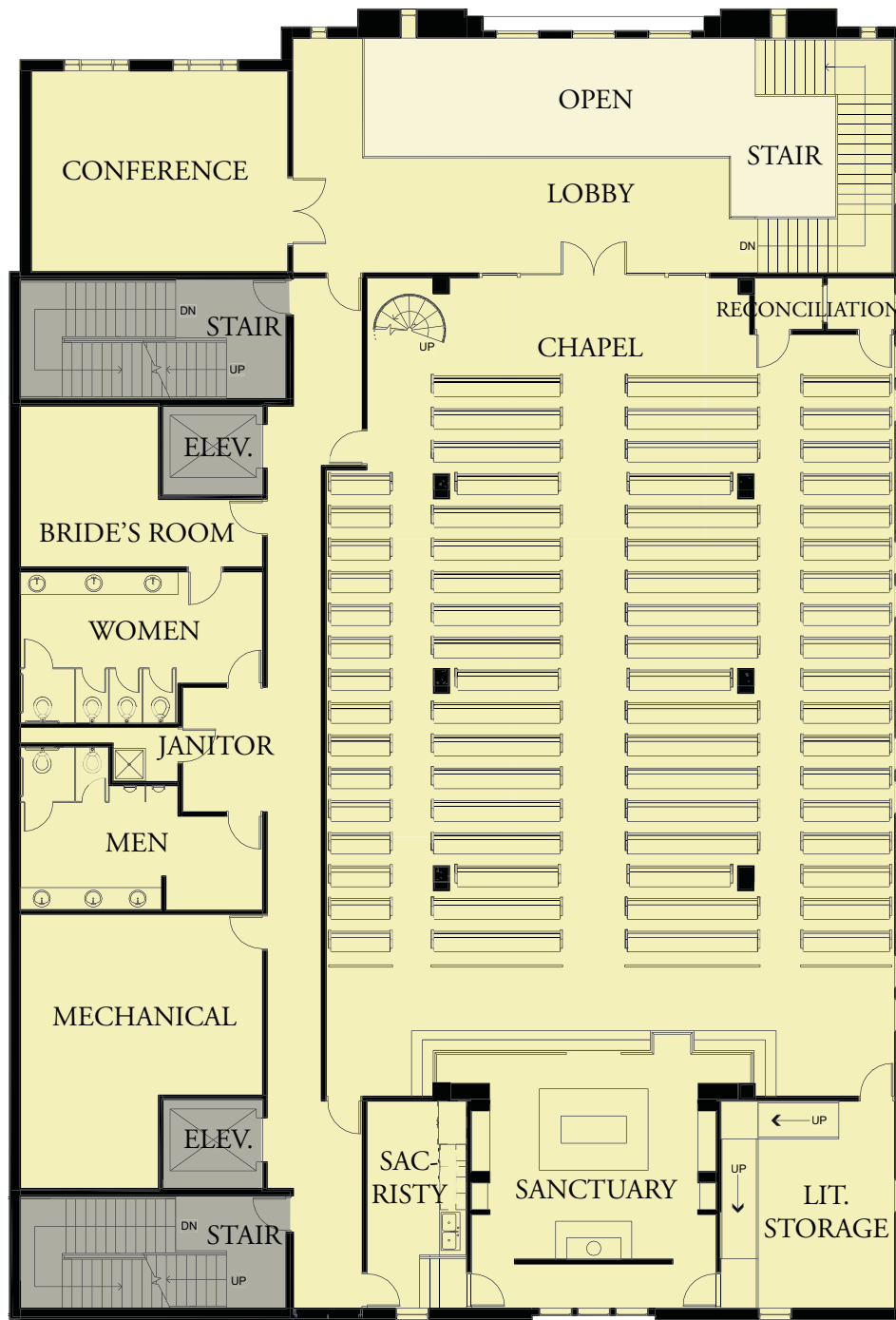
November 14, 2011



# ST. PAUL University Catholic Center

Level 1 - Student Center

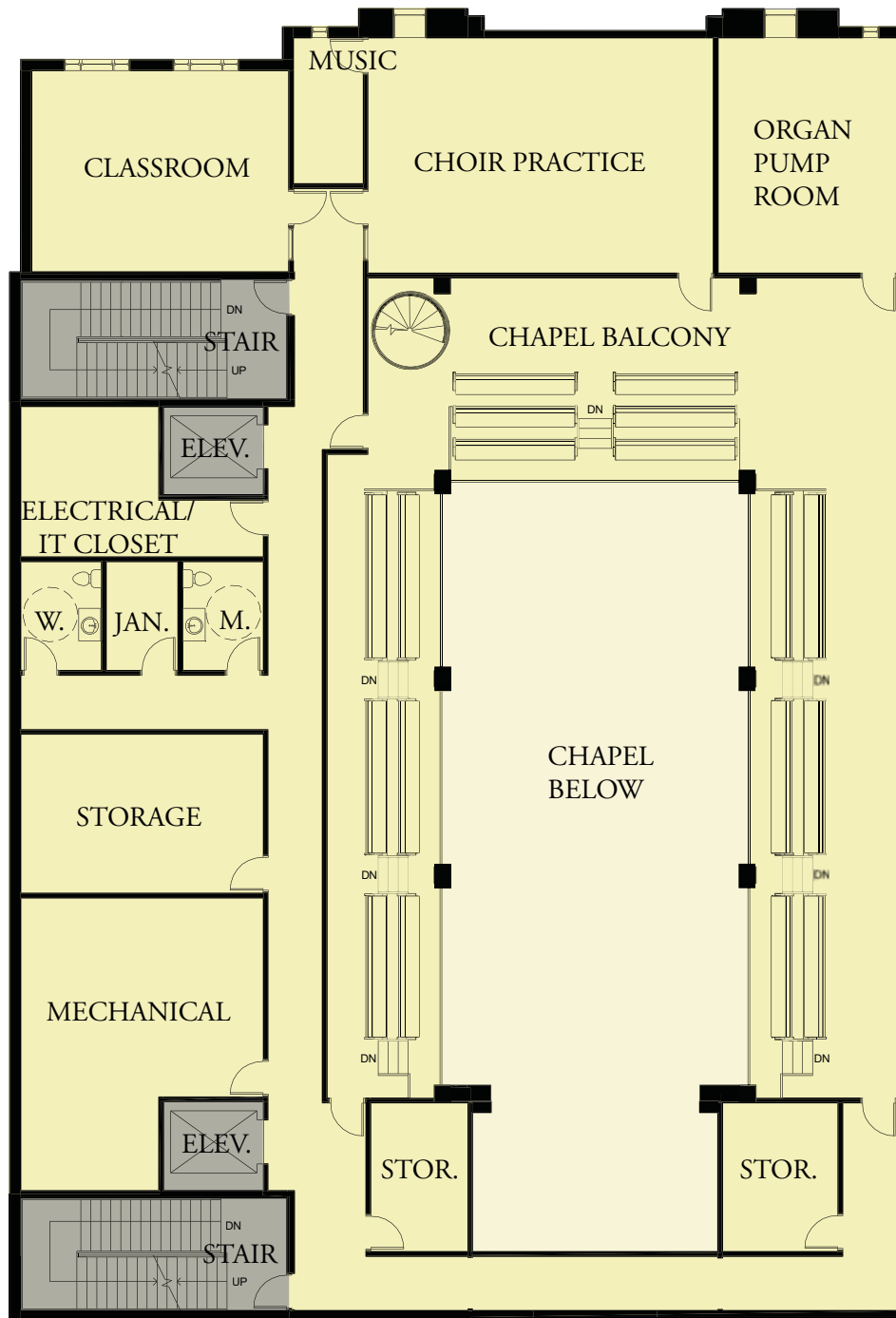
November 14, 2011

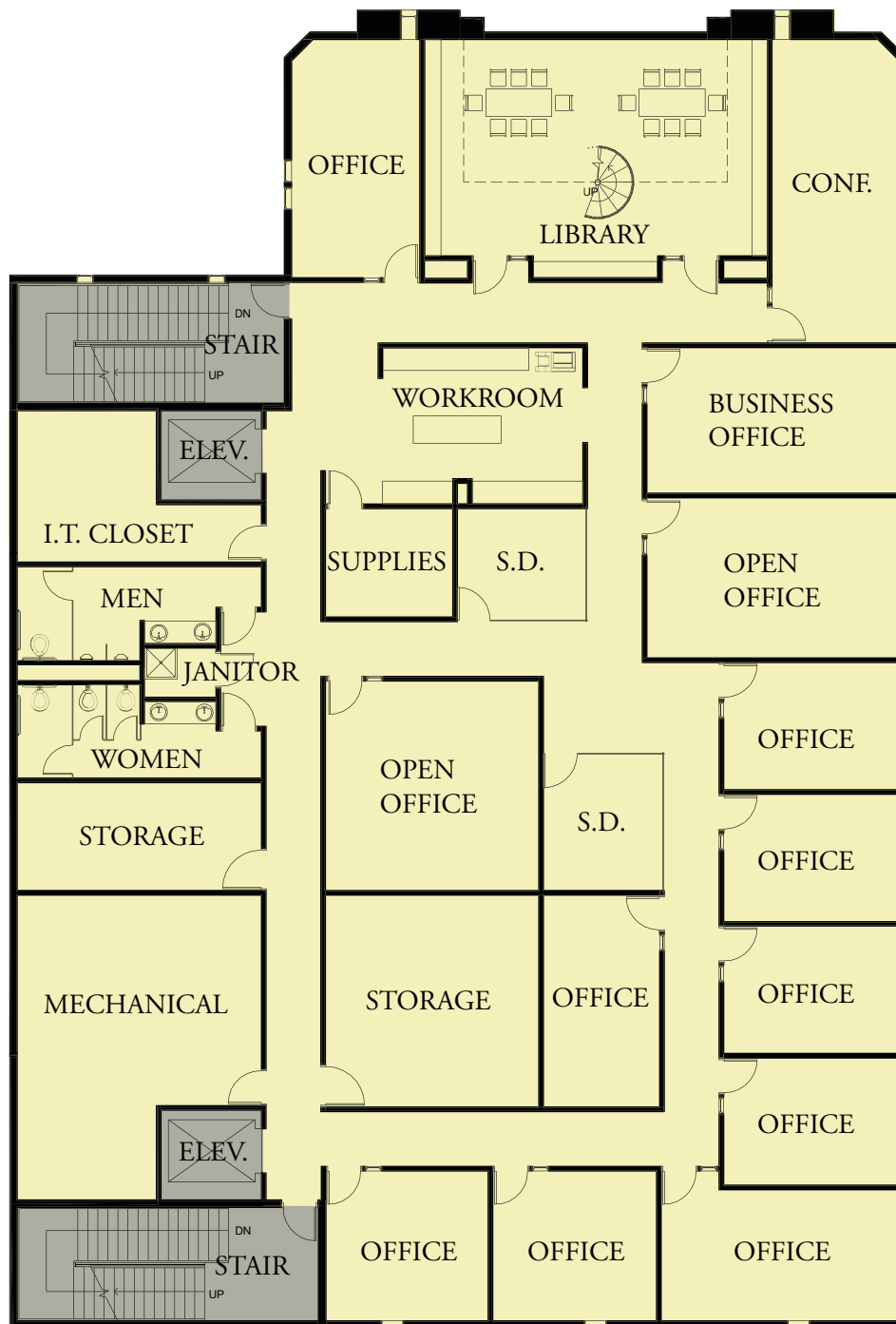


# ST. PAUL University Catholic Center

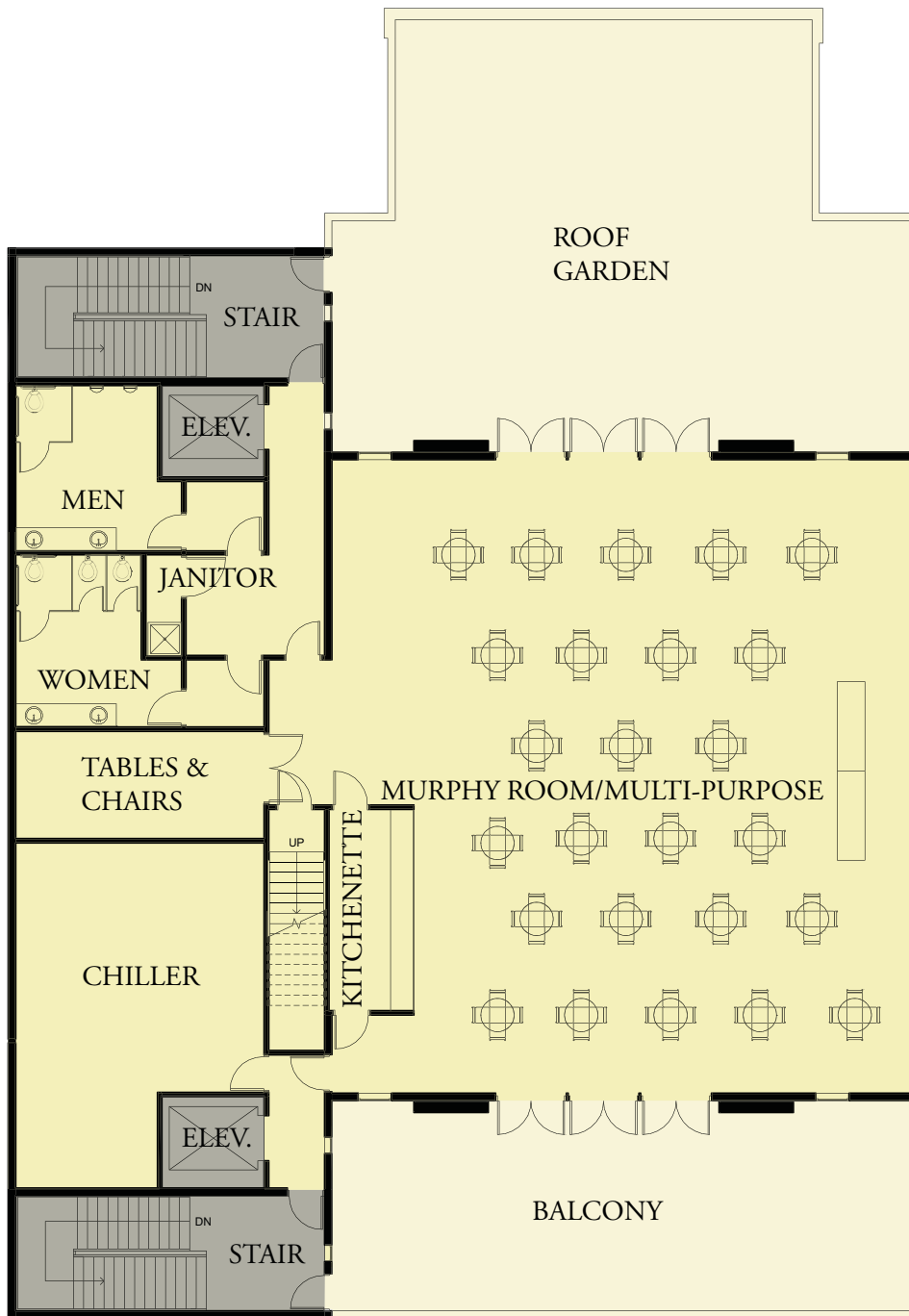
Level 2 - Chapel

November 14, 2011













ST. PAUL  
CATHOLIC  
CENTER

EAST CAMPUS MALL

STATE  
CAPITOL  
BUILDING

STATE STREET

N LAKE STREET

UNIVERSITY AVE

# ST. PAUL University Catholic Center

Project Location Map

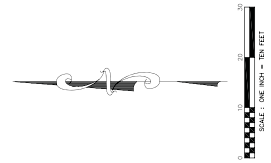
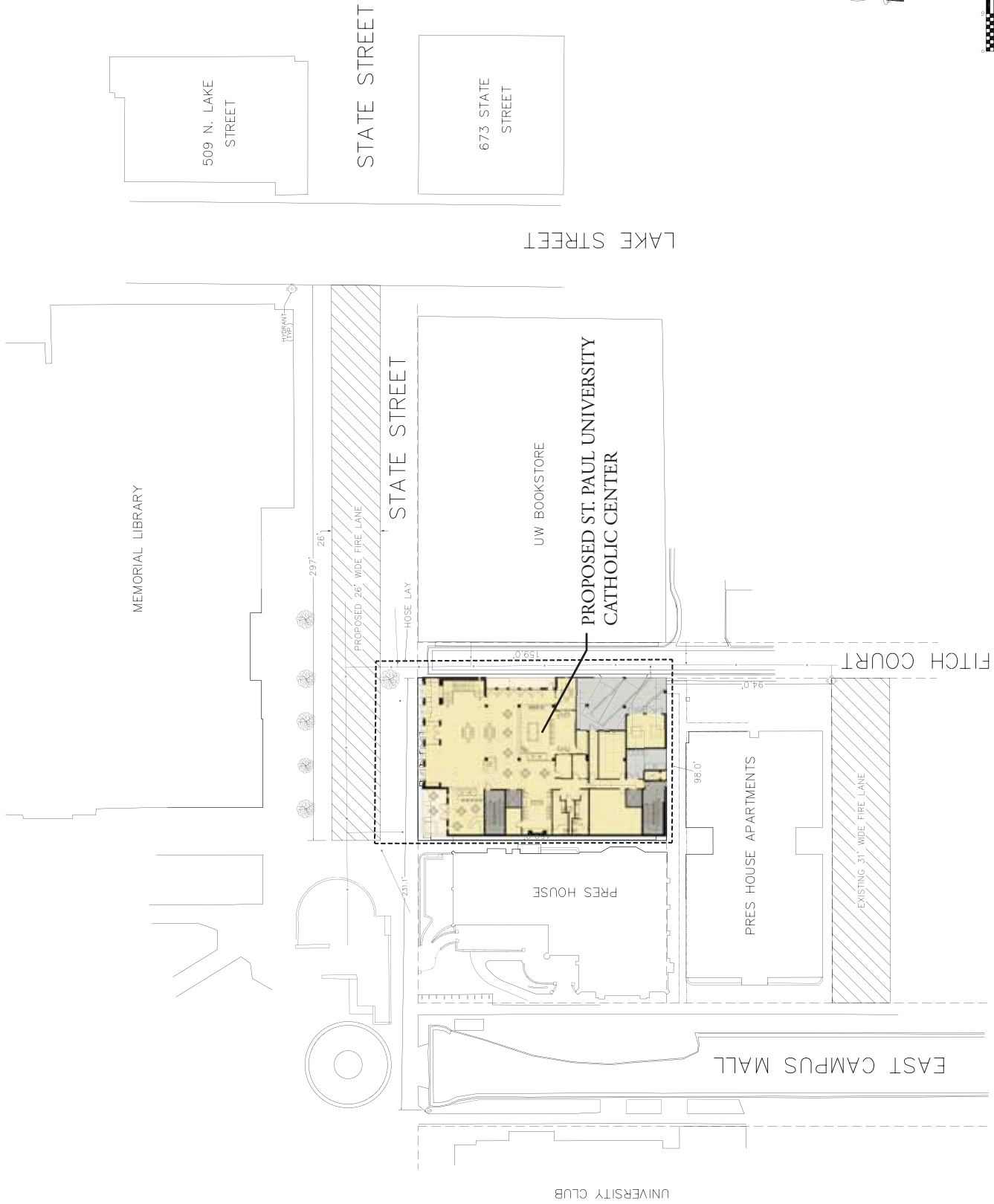
November 14, 2011





**St. Paul University Catholic Center**  
Block Plan

November 14, 2011

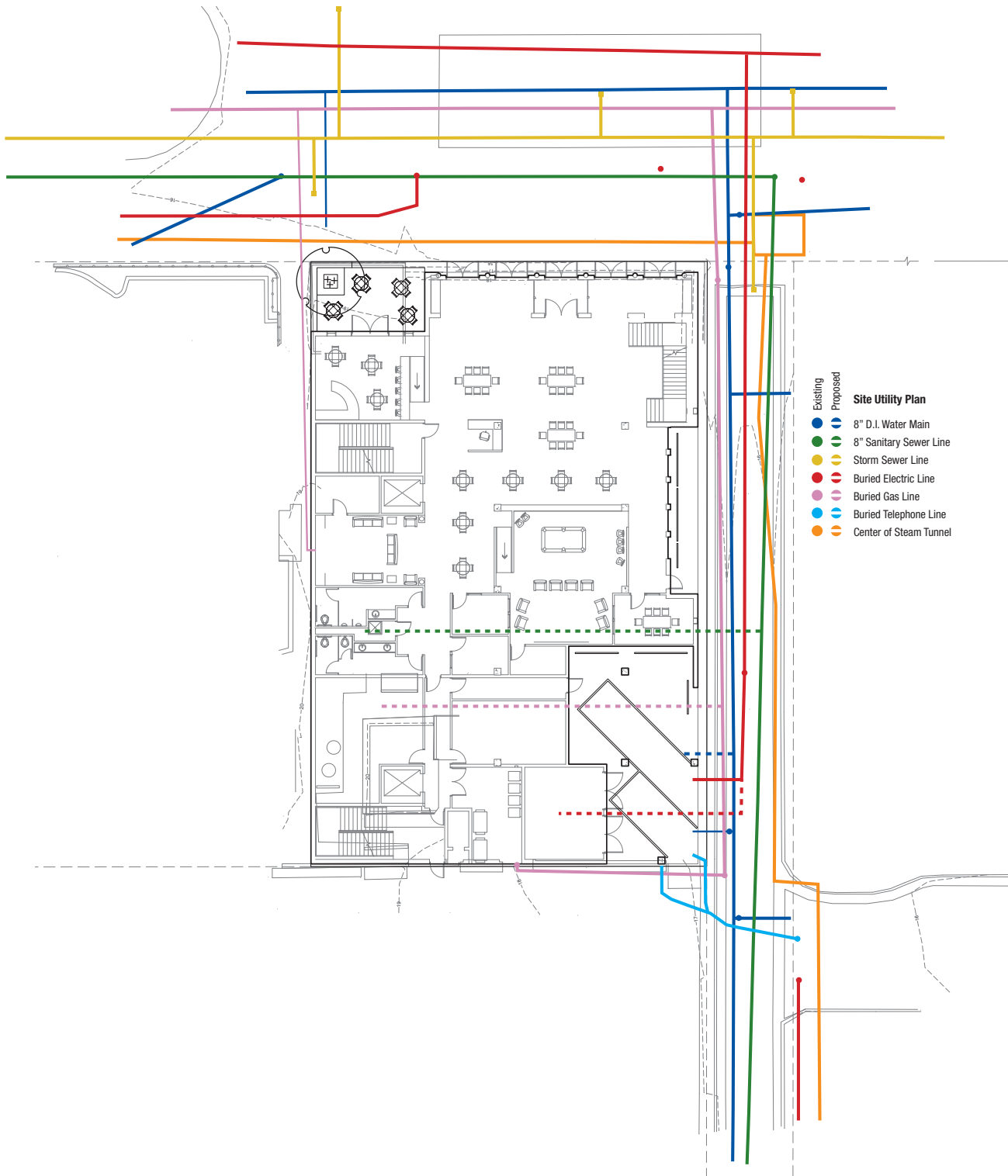


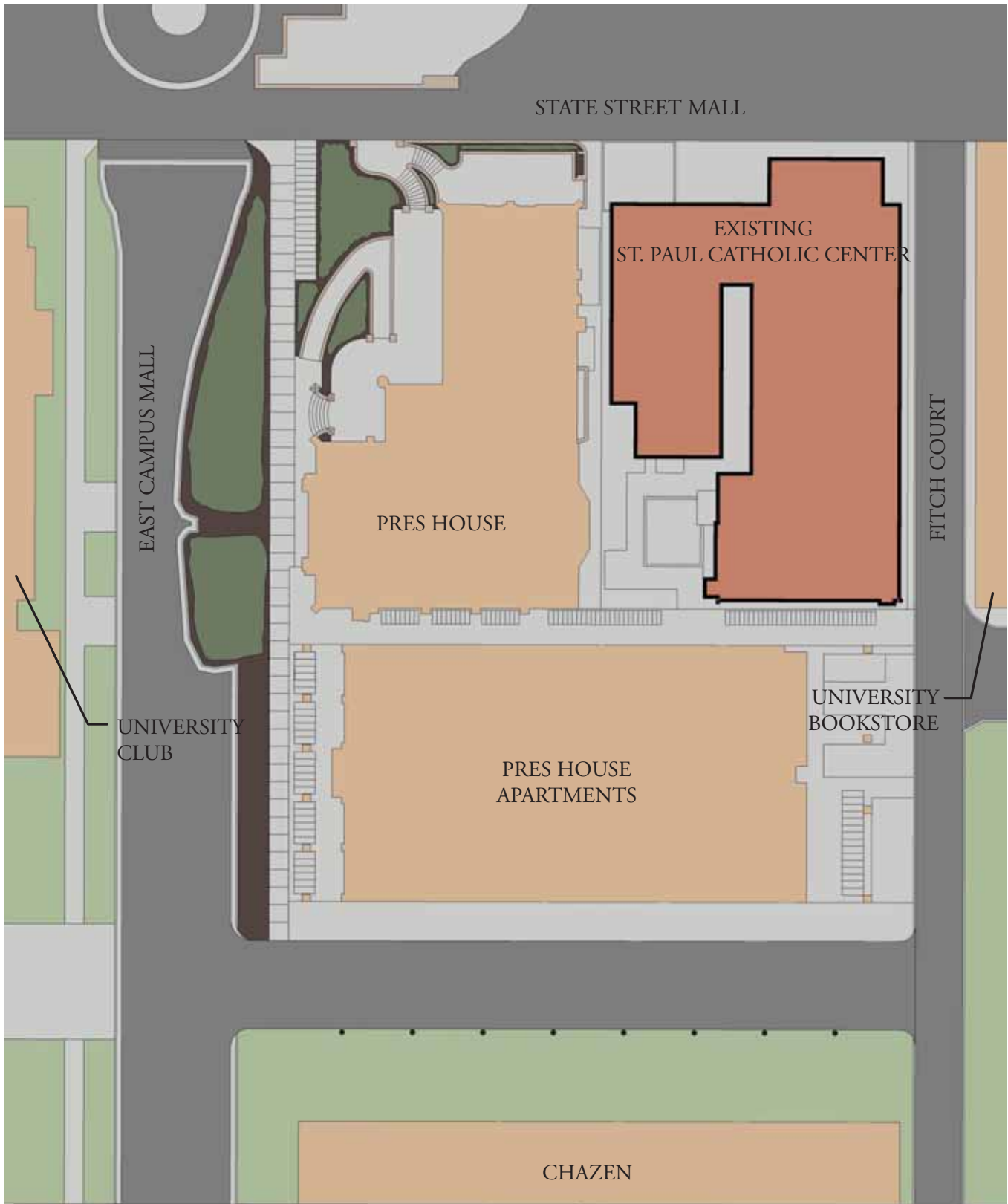
# St. Paul University Catholic Center

Fire Access Plan

November 14, 2011



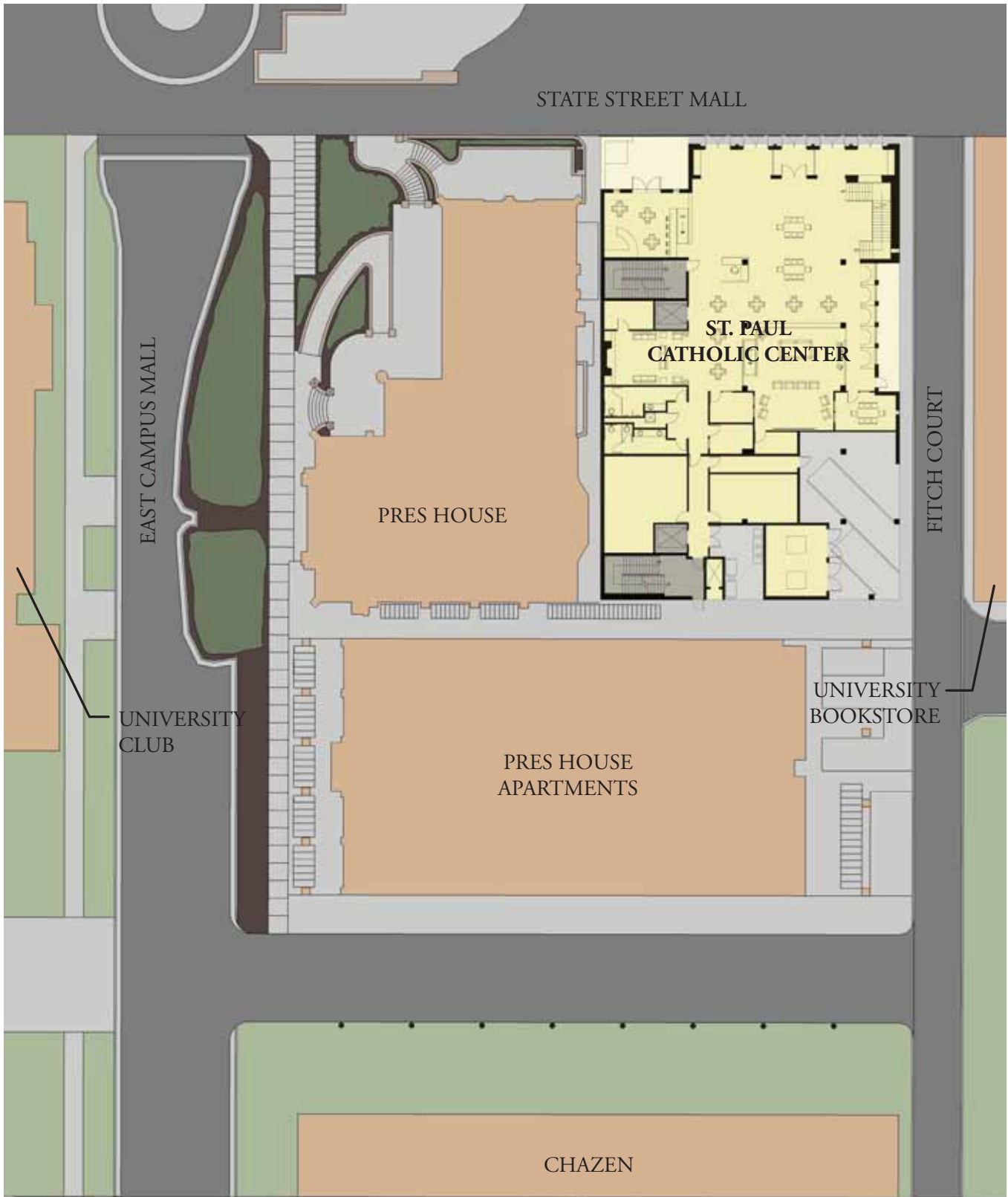




# ST. PAUL University Catholic Center

Existing Site Plan

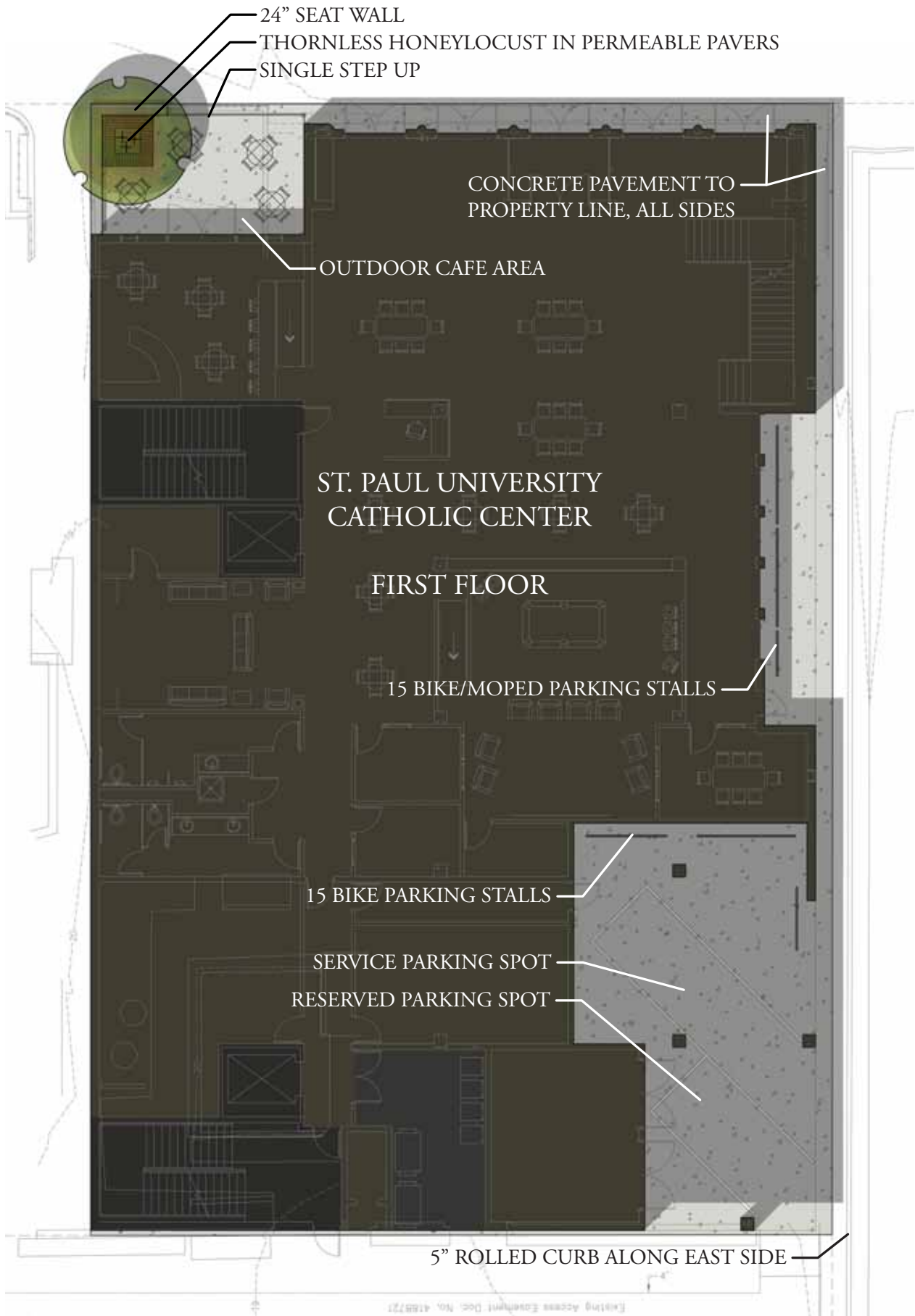
November 14, 2011



# ST. PAUL University Catholic Center

Proposed Site Layout

November 14, 2011



# ST. PAUL University Catholic Center

Site Layout

November 14, 2011



WITH SMALL LEAVES AND OPEN BRANCHING STRUCTURE, THE THORNLESS HONEYLOCUST IS AN IDEAL STREET TREE. IT PROVIDES DAPPLED SHADE, IMPRESSIVE YELLOW FALL COLOR, AND MINIMAL LEAF CLEAN UP IN THE FALL.

THORNLESS HONEYLOCUST - GLEDITSIA TRIACANTHOS 'INERMIS'



PLACED IN A 6' SQUARE AROUND THE TREE, WITH A 3' SQUARE OPENING FOR THE TRUNK, PERMEABLE PAVERS WILL INCREASE PATIO AREA WHILE ALLOWING WATER TO REACH THE TREE ROOTS. COLOR OF PAVERS WILL COMPLIMENT THE COLORING OF THE BUILDING.

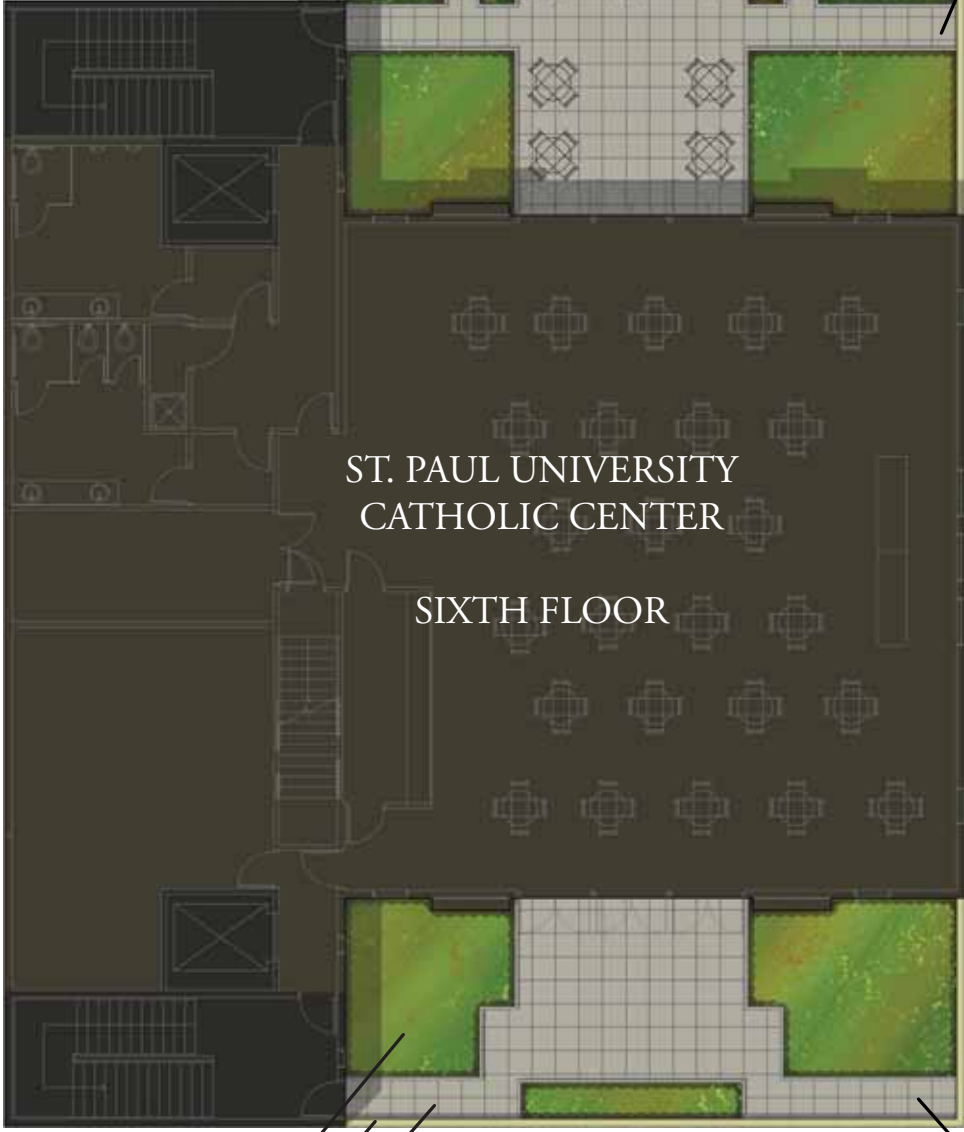
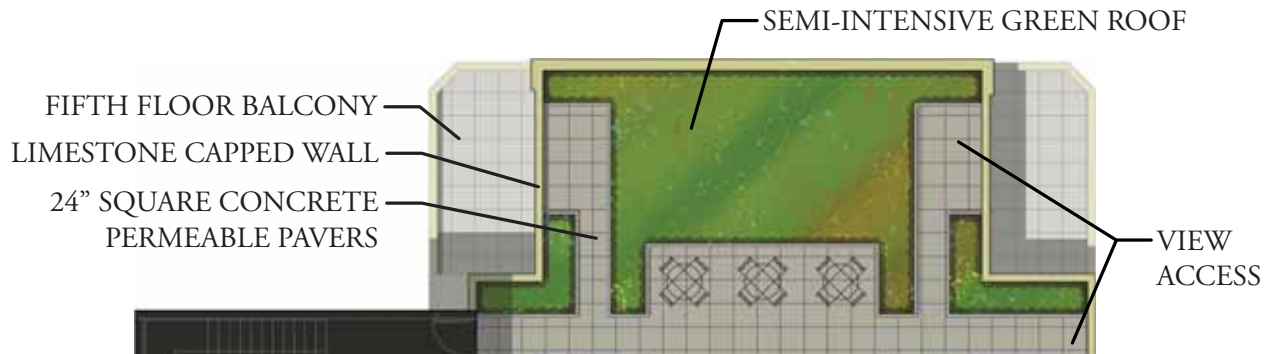
PERMEABLE CONCRETE PAVERS



KEEPING WITHIN THE SAME AESTHETIC QUALITY OF OTHER UNIVERSITY OF WISCONSIN BIKE RACKS, THE DERO 'CAMPUS' BIKE RACK ALLOWS PARKING FOR BOTH BIKES AND MOPEDS. POWDERCOAT COLOR WILL MATCH THE BUILDING.

DERO 'CAMPUS' BIKE RACK



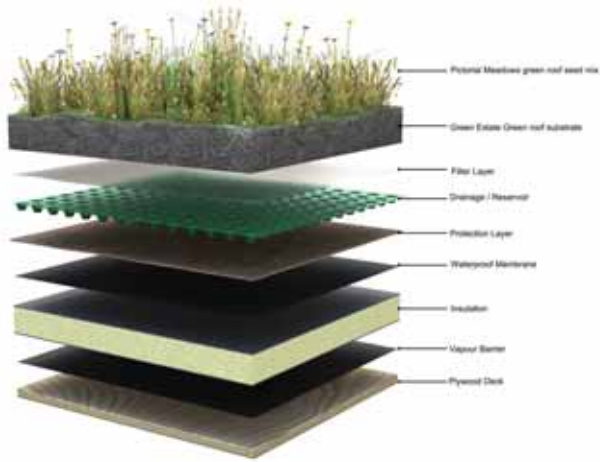


**ST. PAUL** University Catholic Center

Roof Garden Layout Plan

November 14, 2011





THE GREEN ROOF WILL UTILIZE A SEMI-INTENSIVE GREEN ROOF SECTION. SEMI-INTENSIVE REFERS TO THE SOIL MEDIUM - TYPICALLY 6 - 12" - WHICH ALLOWS FOR VARIED NATIVE PERENNIALS AND EVEN SMALL SHRUBS. THE ILLUSTRATIONS ABOVE, CREATED BY ALEX JOHNSON, SHOW A TYPICAL SEMI-INTENSIVE CROSS SECTION.

SEMI-INTENSIVE GREEN ROOF SECTION



GREEN ROOF PLANTS

SAMPLING OF NATIVE WISCONSIN GREEN ROOF PLANTS: LITTLE BLUESTEM, PRAIRIE DROPSIED, BUTTERFLY MILKWEED, SIDEOATS GRAMA, PRAIRIE BLAZING STAR



PERMEABLE CONCRETE PAVERS

24" x 24" CONCRETE PAVERS ARE USED ON THE GREEN ROOF TO PROVIDE SAFE PEDESTRIAN ACCESS. THE PAVERS ARE SPACED 1/4" APART TO ALLOW WATER TO DRAIN AND ENTER THE ROOT ZONE OF THE ADJACENT PLANTS. COLOR FOR THE 24" SQUARE PAVERS WILL COMPLIMENT THE BUILDING.