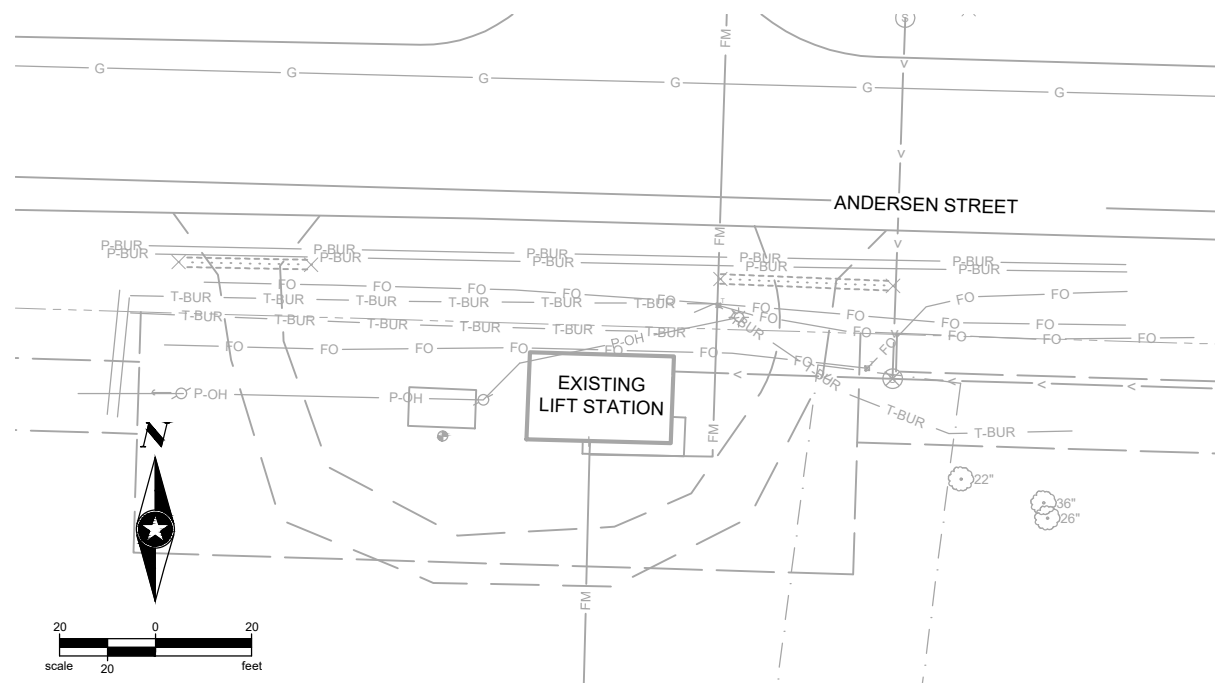
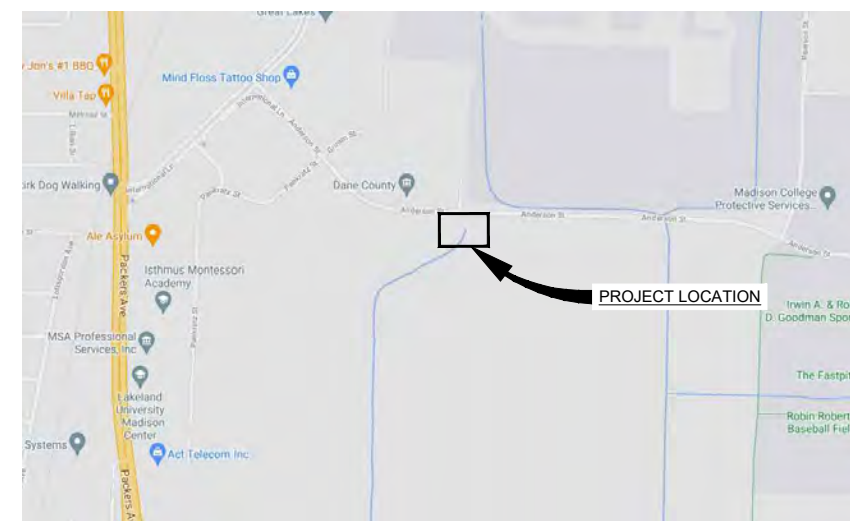


CONSTRUCTION PLANS FOR TRUAX LIFT STATION 16 REPLACEMENT CITY OF MADISON, WI

PROJECT NO. 12457
CONTRACT NO. 8873



LOCATION MAP



NOTE:
THE SUBSURFACE UTILITY QUALITY INFORMATION IN THIS PLAN IS LEVEL D. THIS UTILITY QUALITY LEVEL WAS DETERMINED ACCORDING TO THE GUIDELINES OF C/ASCE 38-02 ENTITLED "STANDARD GUIDELINES FOR THE COLLECTION AND DEPICTION OF EXISTING SUBSURFACE UTILITY DATA."



THE CONTRACTOR SHALL CALL THE STATE ONE CALL SYSTEM AT 811 BEFORE COMMENCING EXCAVATION.

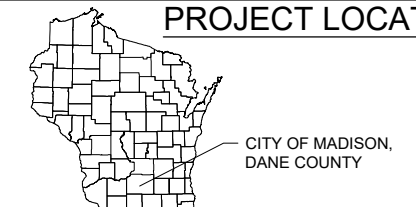
SHEET INDEX

SHEET NO.	DESCRIPTION
TO.1	TITLE SHEET
CIVIL DRAWINGS	
01C1	SITE DEMO PLAN
01C2	NOTES AND DETAILS
01C3	SITE PLAN AND PROFILE
01C4	GRADING AND EROSION CONTROL
10-LIFT STATION	
10P1	PLANS
10P2	SECTIONS
15-GENERATOR ENCLOSURE	
15S1	FOUNDATION PLAN AND SECTION
15S2	ELEVATIONS
15E1	ELECT SYMBOLS & ABBREVIATIONS
15E2	ELECTRICAL PLAN AND DETAIL
15E3	ELECTRICAL ONE-LINE DIAGRAM
15E4	ELECTRICAL DETAILS
20-EXISTING LIFT STATION DEMOLITION	
20P1	FLOOR PLANS
20P2	SECTIONS



Alan Bush

PROJECT LOCATION



REVISIONS

NO.	DATE	COMMENTS

EXISTING	
	RIGHT OF WAY
	PERMANENT EASEMENT
	PROPERTY LINE
	HORIZONTAL CONTROL POINT
	BENCHMARK
	SURVEY MARKER
	SOIL BORING
	SANITARY SEWER AND MANHOLE
	FORCE MAIN AND LIFT STATION
	SANITARY SEWER SERVICE & CLEANOUT
	WATER MAIN, HYDRANT, VALVE AND MANHOLE
	WATER SERVICE AND CURB STOP BOX
	STORM SEWER, MANHOLE AND CATCH BASIN
	CULVERT AND APRON ENDWALL
	GAS MAIN, VALVE, VENT AND METER
	HANDHOLE
	BURIED FIBER OPTIC CABLE AND MANHOLE
	BURIED PHONE CABLE, PEDESTAL AND MANHOLE
	BURIED TV CABLE, PEDESTAL AND MANHOLE
	BURIED ELECTRIC CABLE, PEDESTAL, MANHOLE, TRANSFORMER AND METER
	OVERHEAD WIRE, POLE AND GUY WIRE
	LIGHT POLE
	TRAFFIC SIGNAL
	STREET NAME SIGN
	SIGN (NON STREET NAME)
	RAILROAD TRACKS
	DECIDUOUS AND CONIFEROUS TREE
	BUSH / SHRUB AND STUMP
	EDGE OF WOODED AREA
	WETLAND
	BUILDING
	FENCE (UNIDENTIFIED)
	BARBED WIRE FENCE
	CHAIN LINK FENCE
	ELECTRIC WIRE FENCE
	WOOD FENCE
	WOVEN WIRE FENCE
	PLATE BEAM GUARDRAIL
	CABLE GUARDRAIL
	POST / BOLLARD
	RETAINING WALL
PROPOSED	
	STREET CENTERLINE
	RIGHT-OF-WAY
	PERMANENT EASEMENT
	TEMPORARY EASEMENT
	CONSTRUCTION LIMITS
	SANITARY SEWER, BULKHEAD AND MANHOLE
	FORCE MAIN
	SANITARY SERVICE AND CLEANOUT
	WATER MAIN, TEE, HYDRANT, BULKHEAD AND VALVE
	WATER VALVE MANHOLE, REDUCER, BEND AND CROSS
	WATER SERVICE AND CURB STOP BOX
	STORM SEWER, MANHOLE AND CATCH BASIN
	CULVERT AND APRON ENDWALL
	DRAIN TILE
	DITCH / SWALE
	RIPRAP
	STREET NAME SIGN
	SIGN (NON STREET NAME)
	RETAINING WALL

CONTACTS

DESIGN ENGINEER
ALAN BUSH, PE, BCEE
SEH, INC.
809 NORTH 8TH ST, SUITE 205
SHEBOYGAN, WI 53081
PHONE (920) 287-0828

AT&T
BRIAN SCHOLZ
AT&T
PHONE (608) 888-5555
bs3154@exo.att.com

TDS TELECOM
MIKE SWEET
TDS TELECOM
PHONE (608) 664-4539

MADISON GAS & ELECTRIC

133 S. BLAIR STREET
MADISON, WI 53788
GAS: ROGER AHLES
PHONE (608) 252-5682
EMAIL: rahles@mge.com
ELECTRIC: MARK BOHM
PHONE (608) 252-4730
EMAIL: mbohm@mge.com





MCI (VERIZON)
R.J. CICALTELLO
VERIZON BUSINESS
15725 WEST RYERSON ROAD
NEW BERLIN, WI 53151
PHONE (262) 232-1323

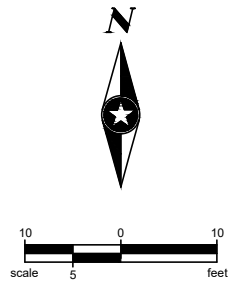
LUMEN TECHNOLOGIES
KENT HOLMQUIST
710 EAST MIFFLIN STREET
MADISON, WI 53704
PHONE (608) 598-9667

SEH
PHONE: 920.452.6603
809 NORTH 8TH STREET,
SUITE 205
SHEBOYGAN, WI 53081-4032
www.sehinc.com

FILE NO.
159311 MADIS
DATE
05/14/2021

T0.1
OF X

- LEGEND**
-  BUILDING REMOVAL
 -  CONCRETE REMOVAL
 -  FEATURE REMOVAL
 -  ABANDON PIPE



809 NORTH 8TH STREET,
SUITE 205
SHEBOYGAN, WI 53081
PHONE: 920.452.6603
WWW.SEHINC.COM



TRUAX LIFT STATION

MADISON, WISCONSIN

FILE NO. MADIS 158311
CLIENT PROJECT NO. -
PROJECT STATUS XXX
ISSUE DATE XXX MFG
DESIGNED BY MFG
DRAWN BY MFG

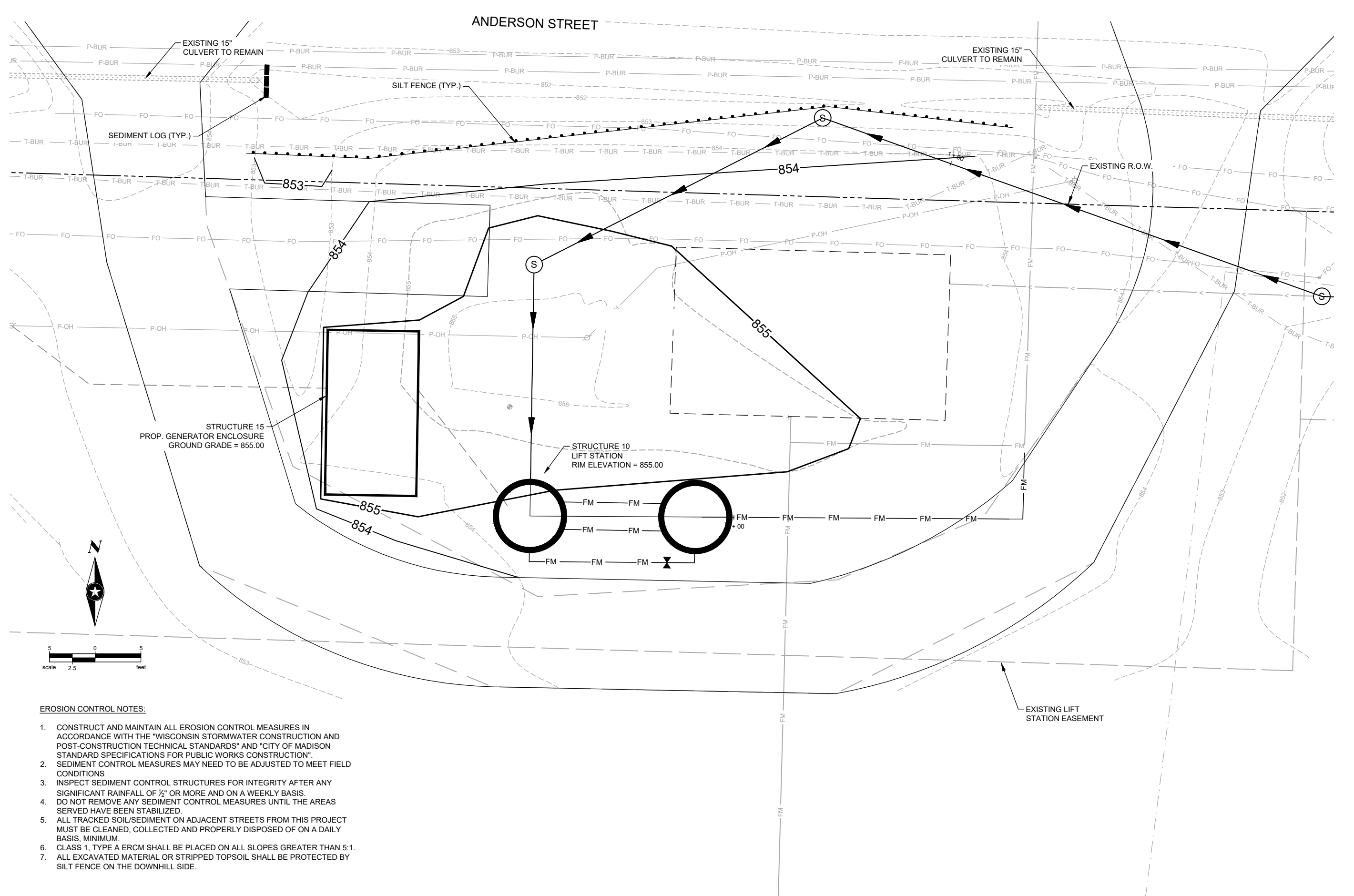
Sheel Elkhart Hendrickson, Inc. © (SEH)

REVISIONS

SHEET TITLE
TRUAX LIFT STATION
SITE DEMOLITION
PLAN

SHEET

01C1



EROSION CONTROL NOTES:

1. CONSTRUCT AND MAINTAIN ALL EROSION CONTROL MEASURES IN ACCORDANCE WITH THE "WISCONSIN STORMWATER CONSTRUCTION AND POST-CONSTRUCTION TECHNICAL STANDARDS" AND "CITY OF MADISON STANDARD SPECIFICATIONS FOR PUBLIC WORKS CONSTRUCTION".
2. SEDIMENT CONTROL MEASURES MAY NEED TO BE ADJUSTED TO MEET FIELD CONDITIONS.
3. INSPECT SEDIMENT CONTROL STRUCTURES FOR INTEGRITY AFTER ANY SIGNIFICANT RAINFALL OF 1/2" OR MORE AND ON A WEEKLY BASIS. DO NOT REMOVE ANY SEDIMENT CONTROL MEASURES UNTIL THE AREAS SERVED HAVE BEEN STABILIZED.
4. ALL TRACKED SOIL/SEDIMENT ON ADJACENT STREETS FROM THIS PROJECT MUST BE CLEANED, COLLECTED AND PROPERLY DISPOSED OF ON A DAILY BASIS, MINIMUM.
5. CLASS 1, TYPE A ERCM SHALL BE PLACED ON ALL SLOPES GREATER THAN 5:1.
7. ALL EXCAVATED MATERIAL OR STRIPPED TOPSOIL SHALL BE PROTECTED BY SILT FENCE ON THE DOWNHILL SIDE.

809 NORTH 8TH STREET,
SUITE 205
SHEBOYGAN, WI 53081
PHONE: 920.482.6003
WWW.SEHINC.COM



TRUAX LIFT STATION

MADISON, WISCONSIN

FILE NO. MADIS 159311
CLIENT PROJECT NO. -
PROJECT STATUS XXX
ISSUE DATE XXX MFG
DESIGNED BY MFG
DRAWN BY MFG

Short Elliott Henderson, Inc. © (SEH)

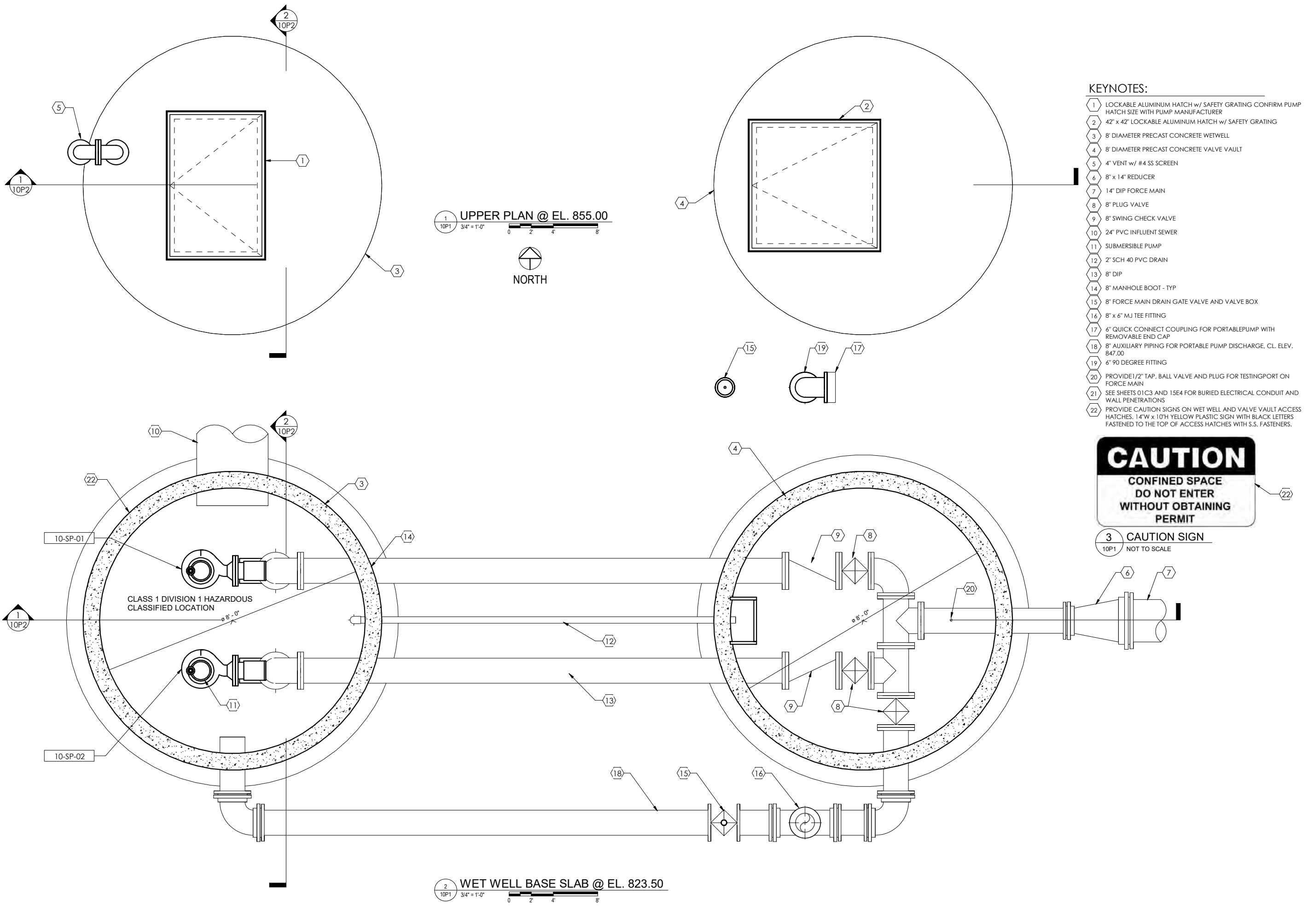
SHEET TITLE
**TRUAX LIFT STATION
GRADING &
EROSION CONTROL
PLAN**

SHEET

01C4

10/26/2021 10:57:51 AM

C:\Users\ddanielson\Documents\10 LIFT STATION_ddanielson.rvt



1 UPPER PLAN @ EL. 855.00
10P1 3/4" = 1'-0"

2 WET WELL BASE SLAB @ EL. 823.50
10P1 3/4" = 1'-0"

- KEYNOTES:**
- 1 LOCKABLE ALUMINUM HATCH w/ SAFETY GRATING CONFIRM PUMP HATCH SIZE WITH PUMP MANUFACTURER
 - 2 42" x 42" LOCKABLE ALUMINUM HATCH w/ SAFETY GRATING
 - 3 8' DIAMETER PRECAST CONCRETE WETWELL
 - 4 8' DIAMETER PRECAST CONCRETE VALVE VAULT
 - 5 4" VENT w/ #4 SS SCREEN
 - 6 8" x 14" REDUCER
 - 7 14" DIP FORCE MAIN
 - 8 8" PLUG VALVE
 - 9 8" SWING CHECK VALVE
 - 10 24" PVC INFLUENT SEWER
 - 11 SUBMERSIBLE PUMP
 - 12 2" SCH 40 PVC DRAIN
 - 13 8" DIP
 - 14 8" MANHOLE BOOT - TYP
 - 15 8" FORCE MAIN DRAIN GATE VALVE AND VALVE BOX
 - 16 8" x 6" MJ TEE FITTING
 - 17 6" QUICK CONNECT COUPLING FOR PORTABLEPUMP WITH REMOVABLE END CAP
 - 18 8" AUXILIARY PIPING FOR PORTABLE PUMP DISCHARGE, CL. ELEV. 847.00
 - 19 6" 90 DEGREE FITTING
 - 20 PROVIDE 1/2" TAP, BALL VALVE AND PLUG FOR TESTINGPORT ON FORCE MAIN
 - 21 SEE SHEETS 01C3 AND 15E4 FOR BURIED ELECTRICAL CONDUIT AND WALL PENETRATIONS
 - 22 PROVIDE CAUTION SIGNS ON WET WELL AND VALVE VAULT ACCESS HATCHES. 14"W x 10"H YELLOW PLASTIC SIGN WITH BLACK LETTERS FASTENED TO THE TOP OF ACCESS HATCHES WITH S.S. FASTENERS.



3 CAUTION SIGN
10P1 NOT TO SCALE

809 NORTH BRISTL SUITE 205
SHEBOYGAN, WI 53081-4032
PHONE: 920.452.4403
FAX: 920.452.8166
www.sehinc.com



TRUAX LIFT STATION

MADISON, WISCONSIN

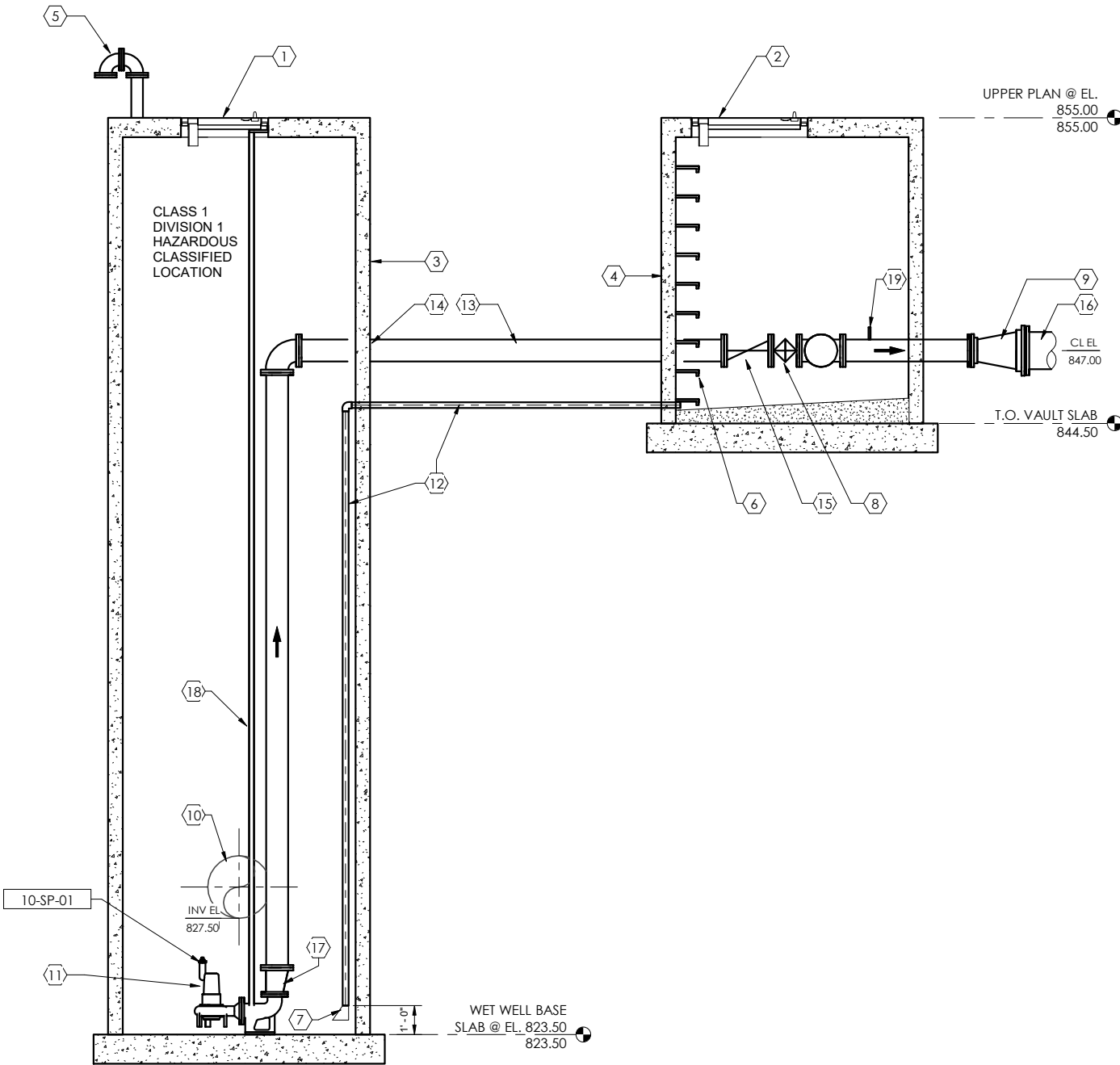
MARK	DATE	DESCRIPTION	REVISIONS

FILE NO.	MADIS 158311
CLIENT PROJECT NO.	XXX
PROJECT STATUS	XXX
ISSUE DATE	AB
DESIGNED BY	DD
DRAWN BY	DD

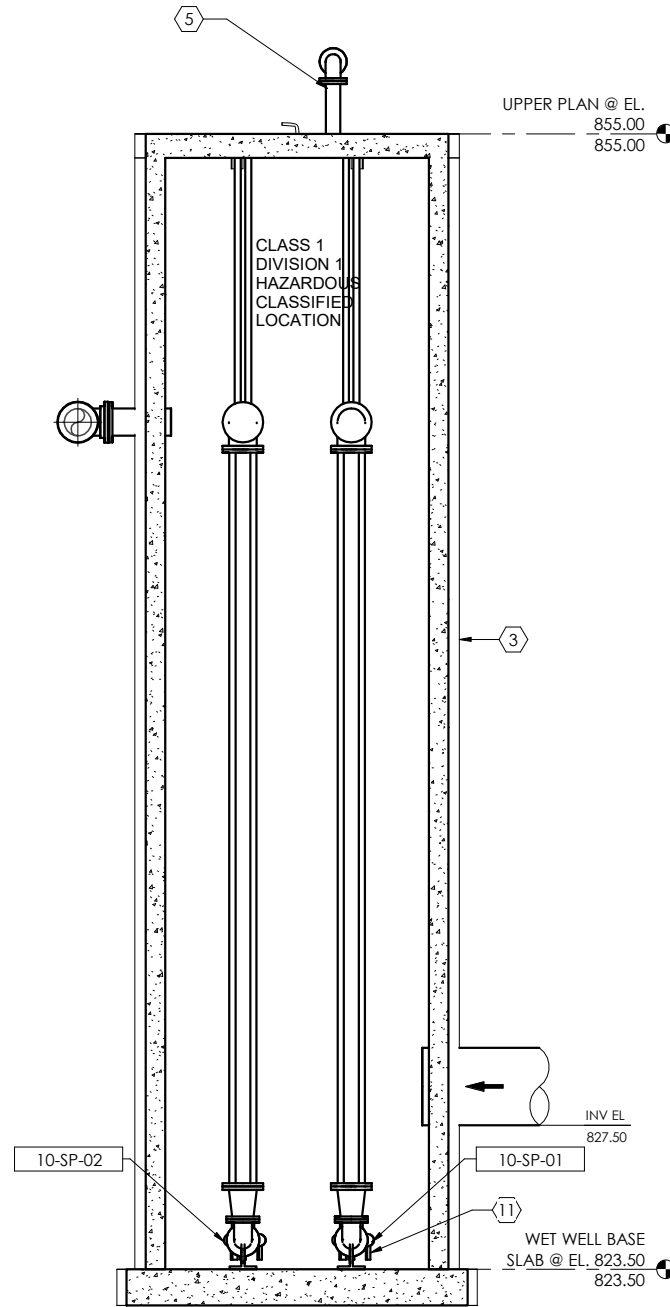
Short Elliott Hendrickson, Inc. © (SEH)

SHEET TITLE
**TRUAX LIFT STATION
LIFT STATION PLANS**

SHEET
10P1



1 PROCESS SECTION
10P2 3/8" = 1'-0"



2 PROCESS SECTION
10P2 3/8" = 1'-0"

KEYNOTES:

- 1 LOCKABLE ALUMINUM HATCH w/ SAFETY GRATING CONFIRM PUMP HATCH SIZE WITH PUMP MANUFACTURER
- 2 3'X3' LOCKABLE ALUMINUM HATCH w/ SAFETY GRATING
- 3 8' DIAMETER PRECAST CONCRETE WETWELL
- 4 8' DIAMETER PRECAST CONCRETE VALVE VAULT
- 5 4" VENT w/ #4 SS SCREEN
- 6 CAST IN MANHOLE STEPS AT 12" ON CENTER
- 7 3" RUBBER DUCKBILL CHECK VALVE
- 8 8" PLUG VALVE
- 9 8" x 14" REDUCER
- 10 24" PVC INFLUENT SEWER
- 11 SUBMERSIBLE PUMP
- 12 2" SCH 40 PVC DRAIN
- 13 8" DIP
- 14 8" MANHOLE BOOT - TYP
- 15 8" SWING CHECK VALVE
- 16 14" DIP
- 17 8x6 ECCENTRIC REDUCER w/ FLAT ALONG RAILS
- 18 316 STAINLESS STEEL PUMP GUIDE RAILS
- 19 PROVIDE 1/2" TAP, BALL VALVE AND PLUG FOR TESTINGPORT ON FORCE MAIN

INSTRUMENTATION ELEVATION SET POINTS	
LWL ALARM	827.50
PUMPS OFF	828.50
LEAD PUMP ON	833.50
LAG PUMP ON	835.50
HWL ALARM	837.50

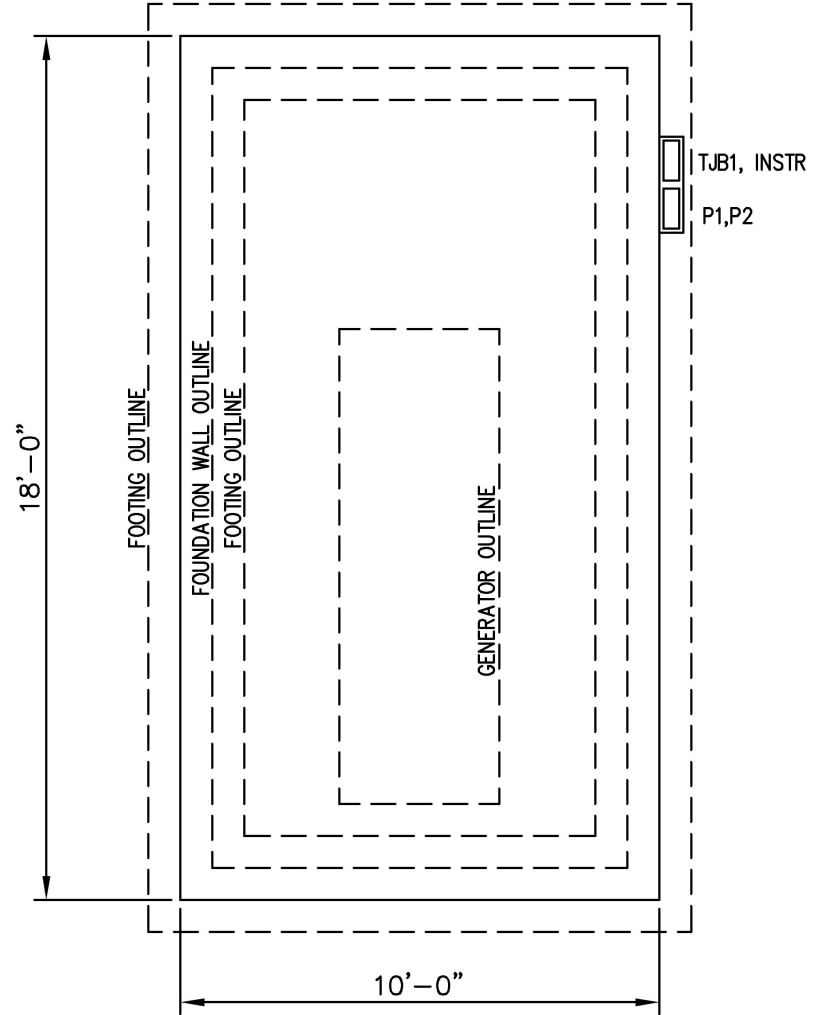
GENERAL NOTES

1. LIFT STATION WET WELL IS A CLASS 1, DIVISION 1 HAZARDOUS CLASSIFIED LOCATION.
2. ALL PIPE JOINTS MUST BE FULLY RESTRAINED.
3. CONTRACTOR SHALL HANG AND SECURE ALL FLOATS AND POWER CABLES TO ENSURE INFLUENT FLOW DOES NOT INTERFERE WITH FLOAT OPERATION OR PUMP REMOVAL.
4. SEE ELECTRICAL DRAWINGS FOR CONTROL PANEL LOCATION AND RELATED ELECTRICAL. GENERAL CONTRACTOR TO COORDINATE WITH ELECTRICAL SUBCONTRACTOR.
5. SEE SPECIFICATIONS FOR PUMP INFORMATION AND COATINGS.

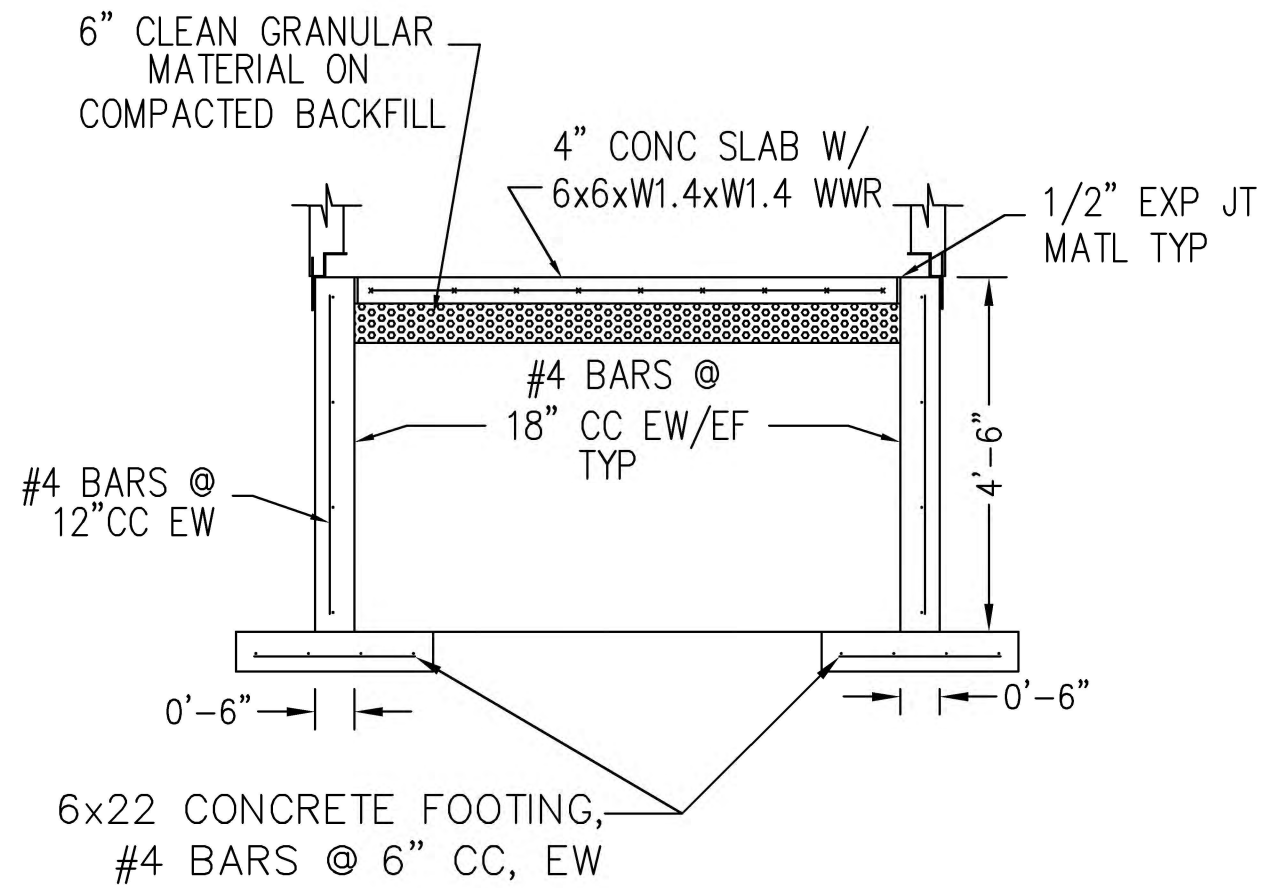
MARK	DATE	DESCRIPTION	REVISIONS

FILE NO.	MADIS 158311
CLIENT PROJECT NO.	XXX
PROJECT STATUS	XXX
ISSUE DATE	AB
DESIGNED BY	DD
DRAWN BY	DD

Short Elliott Hendrickson, Inc. © (SEH)



CONCRETE FOUNDATION PLAN
NTS



CONCRETE FOUNDATION SECTION
NTS

10 NORTH BRIDGE STREET
CHIPPEWA FALLS, WI 54729
PHONE: 715.720.6200
FAX: 615.490.2150
WWW.SEHINC.COM



TRUAX LIFT STATION

MADISON, WISCONSIN

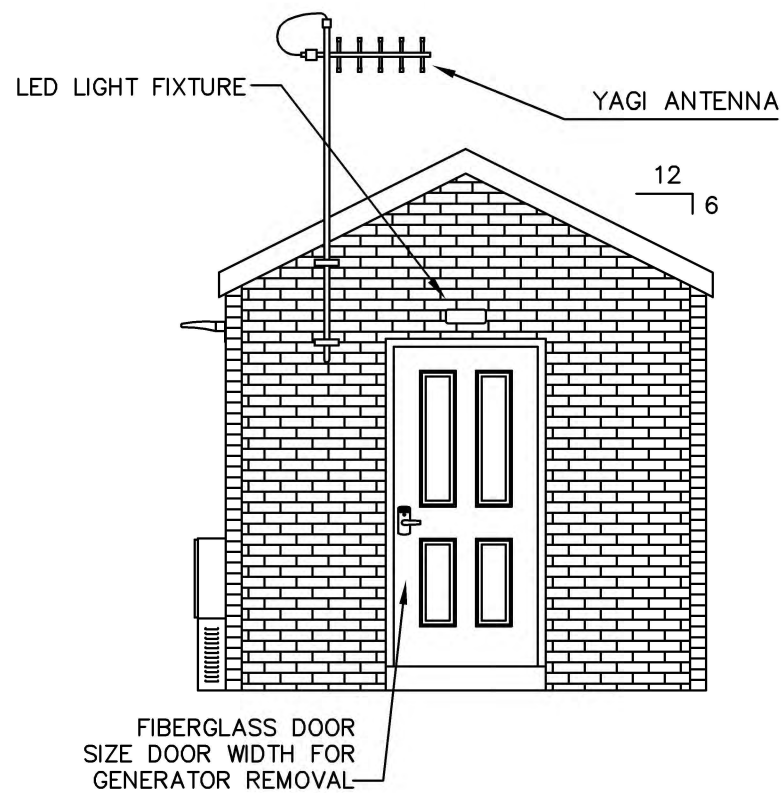
REVISIONS

FILE NO.	MADIS 159311
CLIENT PROJECT NO.	
PROJECT STATUS	
ISSUE DATE	
DESIGNED BY	AB
DRAWN BY	AB

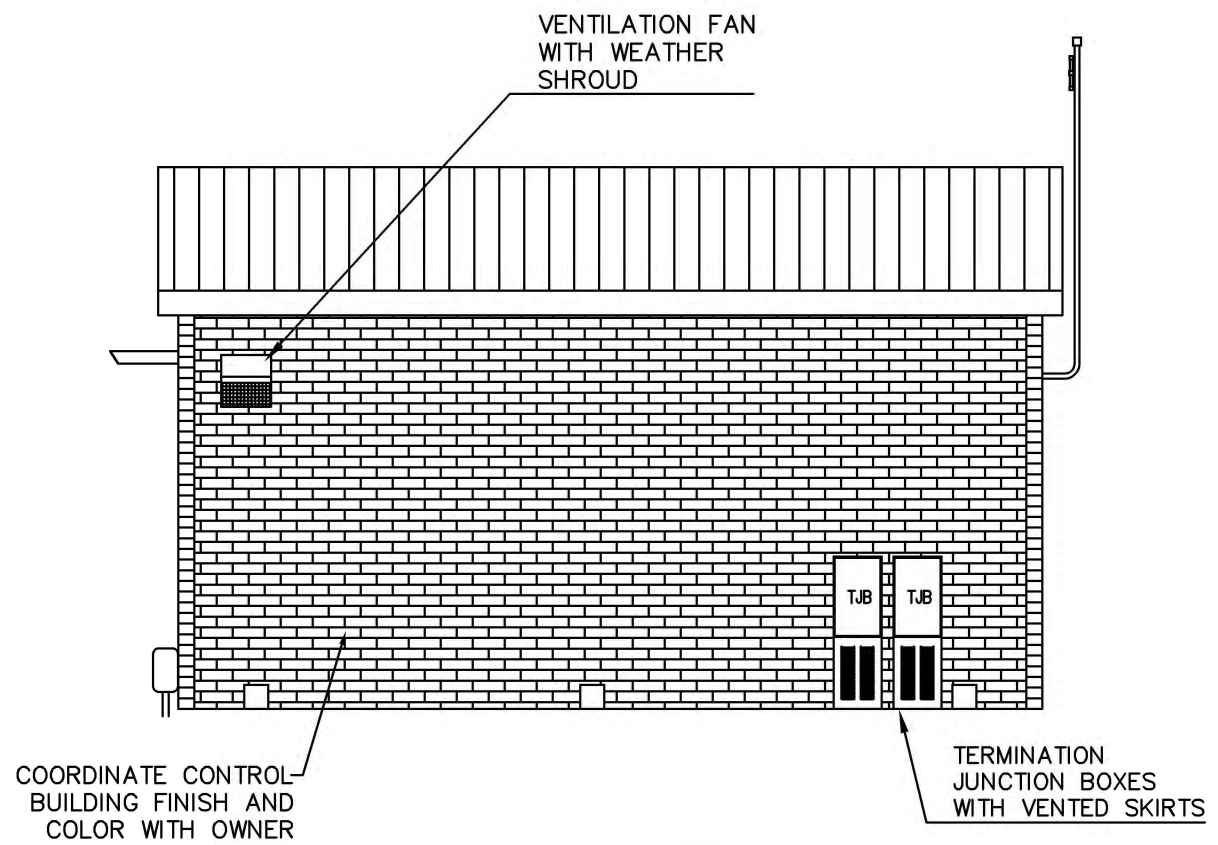
Sherrill Hendrickson, Inc. © (SEH)

SHEET TITLE
TRUAX LIFT STATION
GENERATOR ENCLOSURE
FOUNDATION PLAN AND SECTION

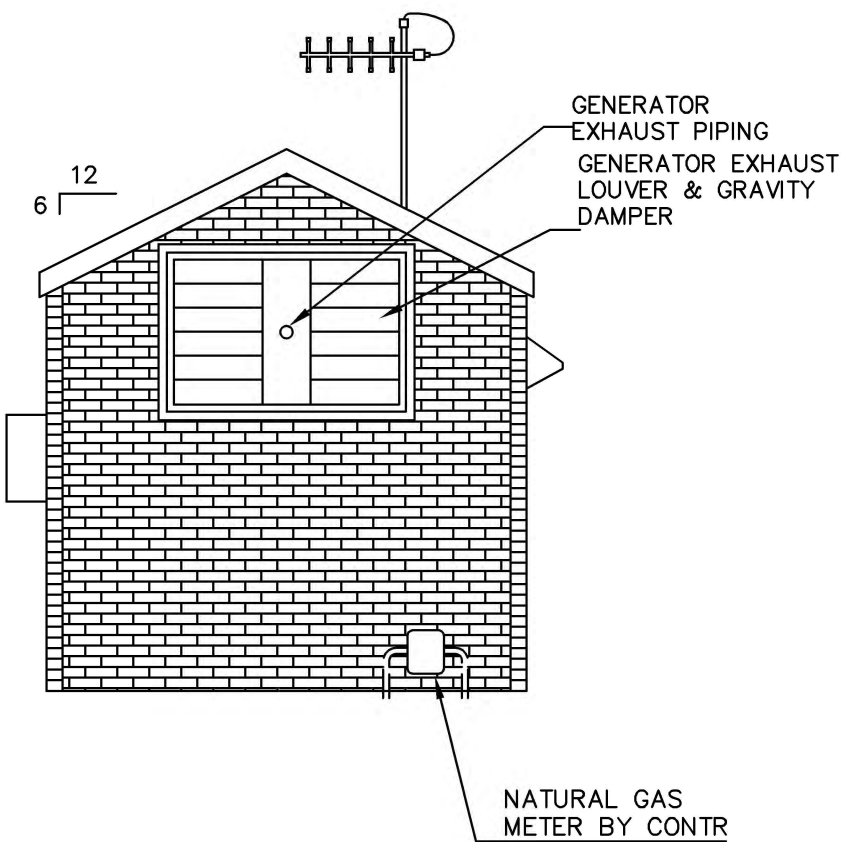
SHEET
15S1



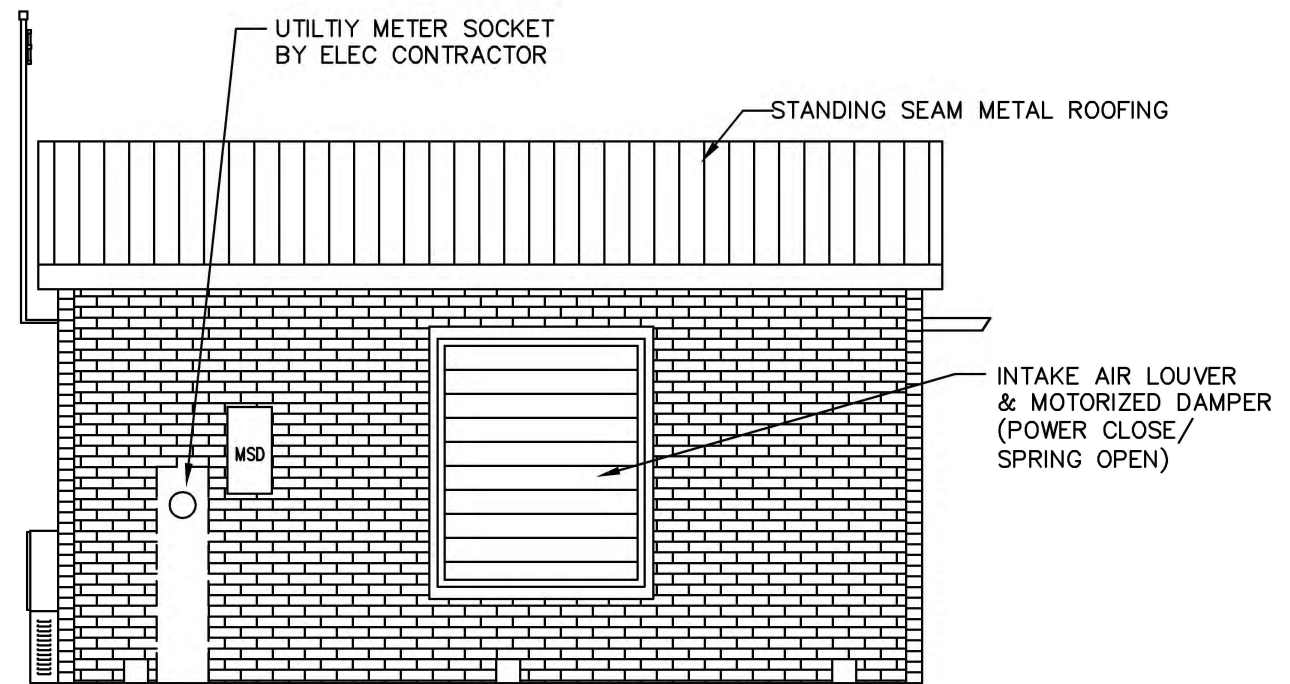
GENERATOR ENCLOSURE - NORTH ELEVATION



GENERATOR ENCLOSURE - EAST ELEVATION

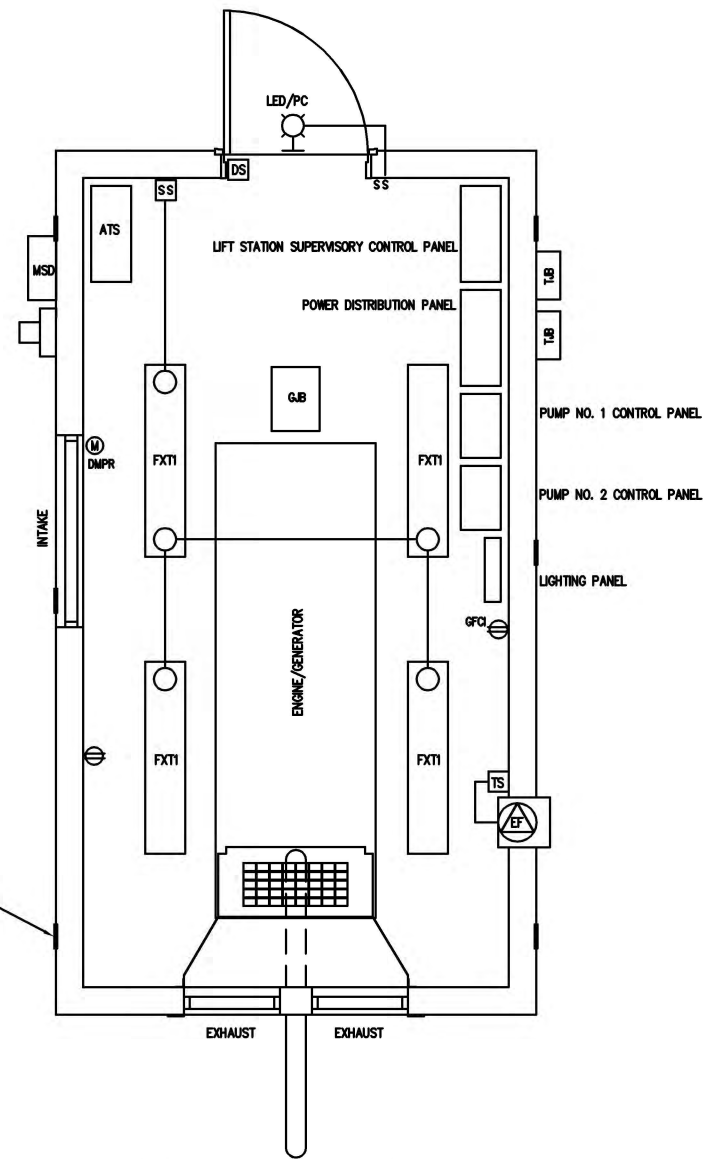


GENERATOR ENCLOSURE - SOUTH ELEVATION

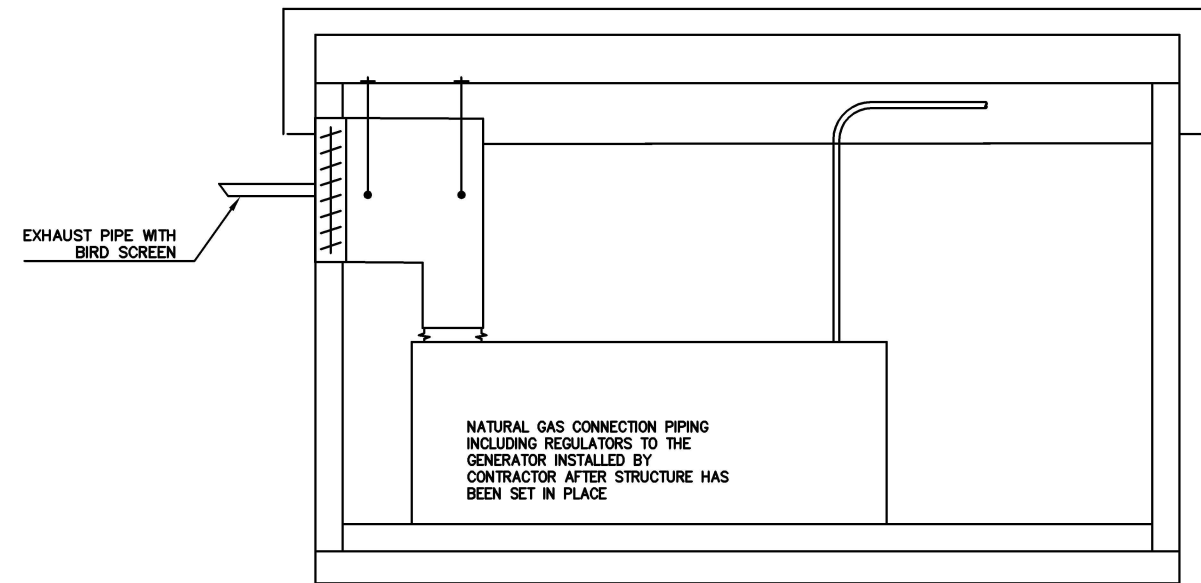


GENERATOR ENCLOSURE - WEST ELEVATION

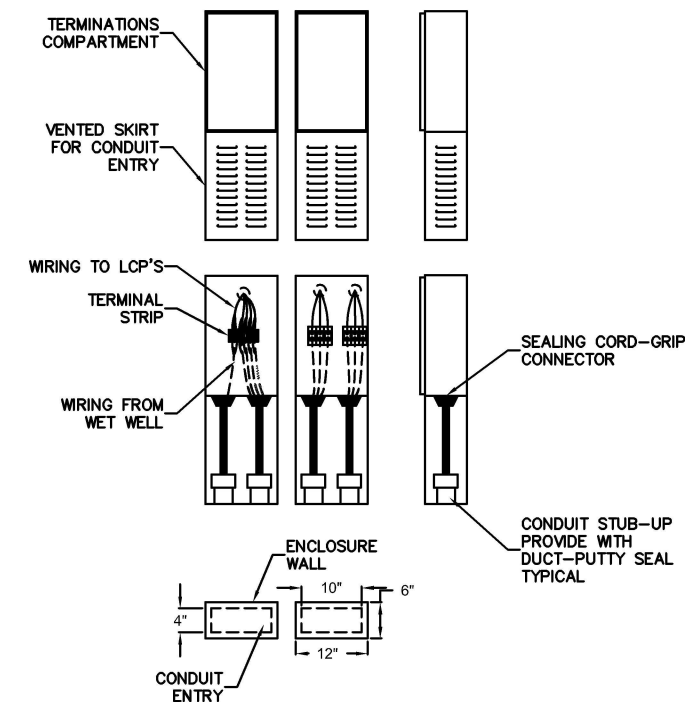




GENERATOR ENCLOSURE PLAN



GENERATOR ENCLOSURE SECTION



TJB DETAIL
 NTS

ANCHORING PLATE
 (TYP OF 6)



FLOOR PLAN LEGEND	
TAG	DESCRIPTION
DMPR	AIR INTAKE GRAVITY DAMPER
DISC	DISCONNECT SWITCH
DS	ENTRY DOOR SWITCH
EF	EXHAUST FAN VENTILATOR
FXT1	INTERIOR LED FIXTURE
GFCI	120V RECEPTACLE, GROUND-FAULT CIRCUIT INTERRUPTER
GJB	GENERATOR TERMINATION JUNCTION BOX
HT	ELECTRIC HEATER, 750/1500W, 120V
JB	JUNCTION BOX, SURFACE MOUNT
LED	WEATHERPROOF LED FIXTURE WITH INTEGRAL PHOTOCELL
M	UTILITY APPROVED METERING CABINET (BY OTHERS)
MSD	MAIN SERVICE DISCONNECT SWITCH
LCP	LIFT STATION SUPERVISORY CONTROL PANEL
TJB	TERMINATION JUNCTION BOX

GENERAL NOTES

- CONTRACTOR SHALL INSTALL NON-EXTRUDING BITUMASTIC SEALER AROUND ALL CONDUITS NOT CAST IN PLACE. COMPACTED GRANULAR SUPPORT MATERIAL REQUIRED FROM LIFT STATION TO UNDISTURBED NATURAL GROUND.
- WATER STOPS SHALL BE 6" PVC, RIBBED STYLE WITH 5/8" TO 3/4" O.D. CENTER BULB. MIN. 6" WIDTH AND 3/16" THICKNESS. SECURE IN PLACE TO REBAR PRIOR TO PLACING CONCRETE.
- ALL CONDUITS TO TERMINATE AT CONCRETE SLAB FOR CONTROLS. EACH CONDUIT TO TERMINATE WITH COMPRESSION NUT AND NEOPRENE GROMMET (ONE PER WIRE). ALL WIRES TO BE ATTACHED TO TERMINAL STRIP PROVIDED WITH CONTROL ENCLOSURE. PROVIDE STAINLESS STEEL CORD GRIPS. PROVIDE SEPARATE 316SS NEMA 4X LOCKABLE ENCLOSURES FOR POWER AND CONTROL WIRING. VENTED SKIRT AREA MUST BE LARGE ENOUGH TO SATISFY NFPA 820 REQUIREMENTS.