

**APPLICATION FOR
URBAN DESIGN COMMISSION
REVIEW AND APPROVAL**

AGENDA ITEM # _____

Project # _____

04089

DATE SUBMITTED: <u>7-18-06</u>	Action Requested
	<input type="checkbox"/> Informational Presentation
UDC MEETING DATE: <u>7-26-06</u>	<input type="checkbox"/> Initial Approval and/or Recommendation
	<input checked="" type="checkbox"/> Final Approval and/or Recommendation

PROJECT ADDRESS: 301 Junction Road, Madison, WI

ALDERMANIC DISTRICT: 9 Paul Skidmore

OWNER/DEVELOPER (Partners and/or Principals) ARCHITECT/DESIGNER/OR AGENT:

Owner: Jason Smith Architect: FCM Corporation

Insite Real Estate Development

Tenant: Anchor Bank

CONTACT PERSON: William Simpson, AIA, FCM Corporation

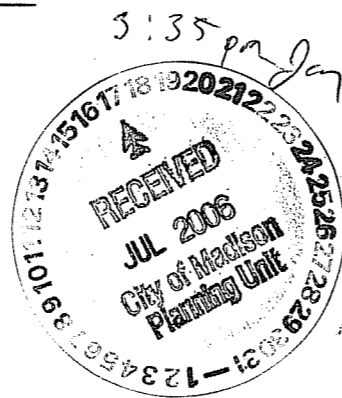
Address: 133 S. Butler St.

Madison, WI 53703

Phone: 608-273-1069

Fax: 608-273-9522

E-mail address: hsimpson@fcmcorp.com



TYPE OF PROJECT:

(See Section A for:)

- Planned Unit Development (PUD)
- General Development Plan (GDP)
- Specific Implementation Plan (SIP)
- Planned Community Development (PCD)
- General Development Plan (GDP)
- Specific Implementation Plan (SIP)
- Planned Residential Development (PRD)
- New Construction or Exterior Remodeling in an Urban Design District * (A public hearing is required as well as a fee)
- School, Public Building or Space (Fee may be required)
- New Construction or Addition to or Remodeling of a Retail, Hotel or Motel Building Exceeding 50,000 Sq. Ft.
- Planned Commercial Site

(See Section B for:)

- New Construction or Exterior Remodeling in C4 District (Fee required)

(See Section C for:)

- R.P.S.M. Parking Variance (Fee required)

(See Section D for:)

- Comprehensive Design Review* (Fee required)
- Street Graphics Variance* (Fee required)

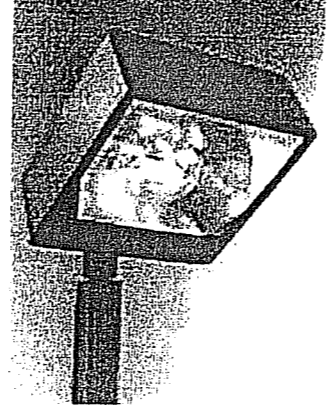
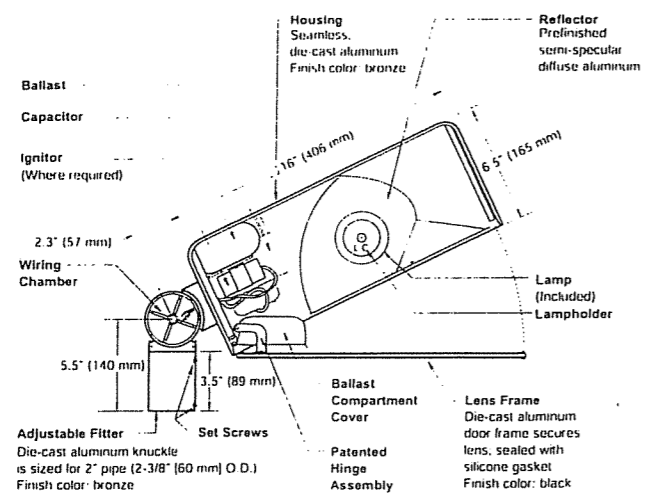
Other _____

*Public Hearing Required (Submission Deadline 3 Weeks in Advance of Meeting Date)

X1, X2

2" ADJUSTABLE FITTER
16" (406 mm) CUTOFF FLOODLIGHT

CF3-16
SERIES



SPEC #	WATTAGE	CATALOG #	(a) VOLTAGE SUFFIX KEY	(b) OPTIONS (factory-installed)
PULSE START METAL HALIDE			M 120/208/240/277V (Standard)	-(a)F Fusing
<input type="checkbox"/> SPEC #	200W PSMH	CF3620-(a)(b)	T 120/277/347V (Canada Only) (Standard)	-5P External Photocell (for 480V)
<input type="checkbox"/> SPEC #	250W PSMH	CF3625-(a)(b)	1 120V	Q Quartz Standby (includes 100W quartz lamp) (N/A on 277V Reactor)
<input type="checkbox"/> SPEC #	320W PSMH	CF3632-(a)(b)	2 277V	U Uplight Lens Frame
<input type="checkbox"/> SPEC #	350W PSMH	CF3635-(a)(b)	27 277V Reactor (PSMH Only)	Specify (a) Single Voltage — See Voltage Suffix Key
<input type="checkbox"/> SPEC #	400W PSMH	CF3640-(a)(b)	3 208V	
<input type="checkbox"/> SPEC #	450W PSMH*	CF3645-(a)(b)	4 240V	
METAL HALIDE			5 480V	
<input type="checkbox"/> SPEC #	175W MH	CF3417-(a)(b)	6 347V (Canada Only)	
<input checked="" type="checkbox"/> SPEC #	250W MH	CF3425-(a)(b)		
<input type="checkbox"/> SPEC #	400W MH	CF3440-(a)(b)		
HIGH PRESSURE SODIUM				
<input type="checkbox"/> SPEC #	250W HPS	CF3525-(a)(b)		
<input type="checkbox"/> SPEC #	400W HPS	CF3540-(a)(b)		

Notes
For voltage availability outside the US and Canada, see Bulletin TD-9 or contact your Ruud Lighting authorized International Distributor.

→ REPOSITIONED FOR 90' CUTOFF

GENERAL DESCRIPTION	ELECTRICAL	FINISH
Sharp cutoff luminaire for HID lamp, totally enclosed. Housing is seamless, die-cast aluminum. Aluminum die-cast adjustable fitter mounting is sized for 2" pipe (2-3/8" [60 mm] O.D.). Allows for directional aiming as well as 2-1/2° incremental vertical adjustment. Contains integral wiring compartment. Two stainless-steel set screws provide clamping to vertical tenons. Lens assembly consists of rigid aluminum frame and high-impact, clear-tempered glass	Fixture includes clear, mogul-base lamp. Pulse-rated porcelain enclosed, 4kv-rated screw-shell-type lampholder with spring-loaded center contact. Lamp ignitor included where required. All ballast assemblies are high-power factor and use the following circuit type: Reactor (277V PSMH) 200 - 450W PSMH CWA --- Constant Wattage Autotransformer 200 - 450W PSMH; 175W - 400W MH; 250 - 400W HPS	Exclusive DeltaGuard® finish features an E-coat epoxy primer with medium bronze ultra-durable powder topcoat, providing excellent resistance to corrosion, ultraviolet degradation and abrasion. The finish is covered by our seven-year limited warranty.
LABELS	PATENTS	ACCESSORIES
ANSI lamp wattage label supplied, visible during relamping. UL Listed in US and Canada for wet locations and enclosure classified IP65 per IEC 529 and IEC 598	US 4,689,729; 4,709,312	FWG-16 Wire Guard LS-16 Polycarbonate Vandal Shield (not for use with fixtures in upright position) PC-1 Button Photocell (for fixtures set to 120V) PC*6 Button Photocell (for fixtures set to 347V) PC-2 Button Photocell (for fixtures set to 208, 240, 277V) PGM-1 Ground Mount Post SBL-16 Backlight Shield



X1, X2

CF3-16
SERIES

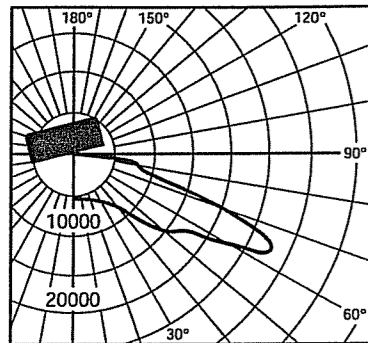
2" ADJUSTABLE FITTER

16" (406 mm) CUTOFF FLOODLIGHT

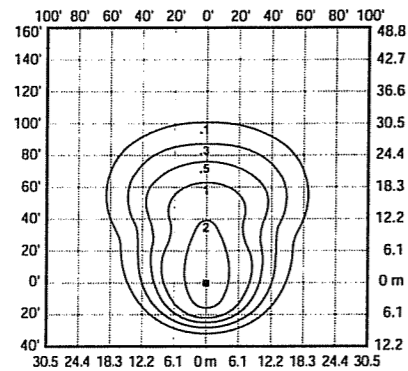
EPA RATING

EPA 1.27 for single fixture with 20° tilt (Consult factory for EPA rating on multiple units or other tilt angles).

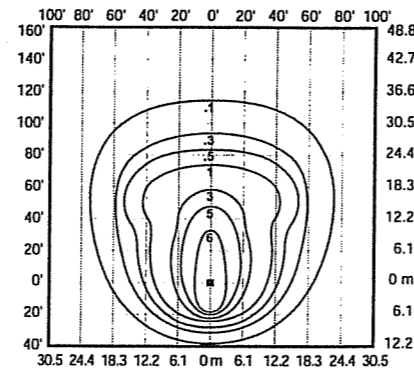
Isofootcandle plots show initial footcandles at grade. (Footcandles ÷ 0.0929 = Lux)



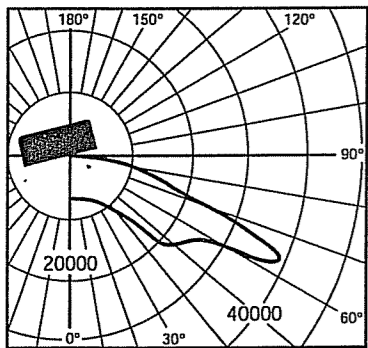
Lighting Sciences Inc.
Certified Test Report No. LSI 4948
Candlepower distribution curve of 400W MH
Cutoff Floodlight at 20° vertical tilt



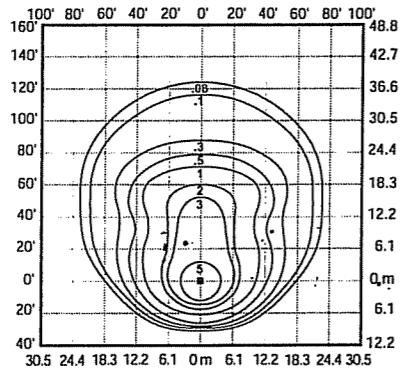
Isofootcandle plot of 250W MH Cutoff
Floodlight at 25' (7.6 m) mounting height
and 20° vertical tilt (Plan view)



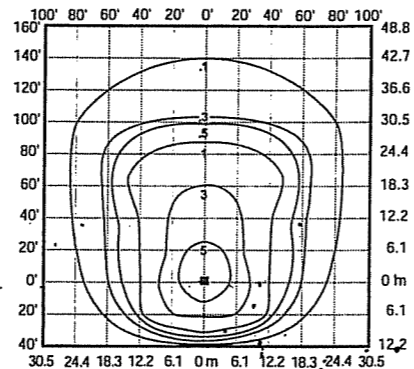
Isofootcandle plot of 400W MH Cutoff
Floodlight at 30' (9.1 m) mounting height
and 20° vertical tilt (Plan view)



Lighting Sciences Inc.
Certified Test Report No. LSI 10692
Candlepower distribution curve of 400W HPS
Cutoff Floodlight at 20° vertical tilt

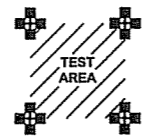


Isofootcandle plot of 250W HPS Cutoff
Floodlight at 25' (7.6 m) mounting height
and 20° vertical tilt (Plan view)



Isofootcandle plot of 400W HPS Cutoff
Floodlight at 30' (9.1 m) mounting height
and 20° vertical tilt (Plan view)

Pole-spacing Example Data



Test area is centered within a (16) pole layout.

Average Initial Light Levels at Grade
4 Fixtures per pole

(Footcandles ÷ 0.0929 = Lux)

Catalog #	Lamp Type	Lamp Lumens	Mounting Height	Max. Recommended Pole-spacing	Footcandles	Lux
CF3417-M	175W MH	12,000	15' (4.6 m)	75' (22.9 m)	6.06	65
			20' (6.1 m)	100' (30.5 m)	3.62	39
CF3425-M	250W MH	20,000	20' (6.1 m)	100' (30.5 m)	6.03	65
			25' (7.6 m)	125' (38.1 m)	3.45	37
CF3440-M	400W MH	32,000	25' (7.6 m)	125' (38.1 m)	7.75	84
			30' (9.1 m)	150' (45.7 m)	5.75	62
CF3525-M	250W HPS	28,500	20' (6.1 m)	100' (30.5 m)	9.45	102
			25' (7.6 m)	125' (38.1 m)	5.39	58
CF3540-M	400W HPS	50,000	25' (7.6 m)	125' (38.1 m)	9.45	102
			30' (9.1 m)	150' (45.7 m)	6.89	74



9201 Washington Avenue Racine, Wisconsin 53406-3772 USA

PHONE (262) 886-1900

FAX (262) 884-3309

© Ruud Lighting Inc. Printed in USA

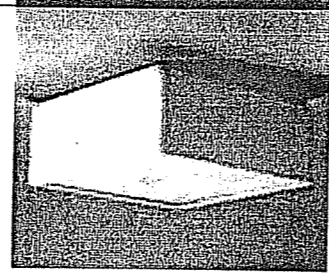
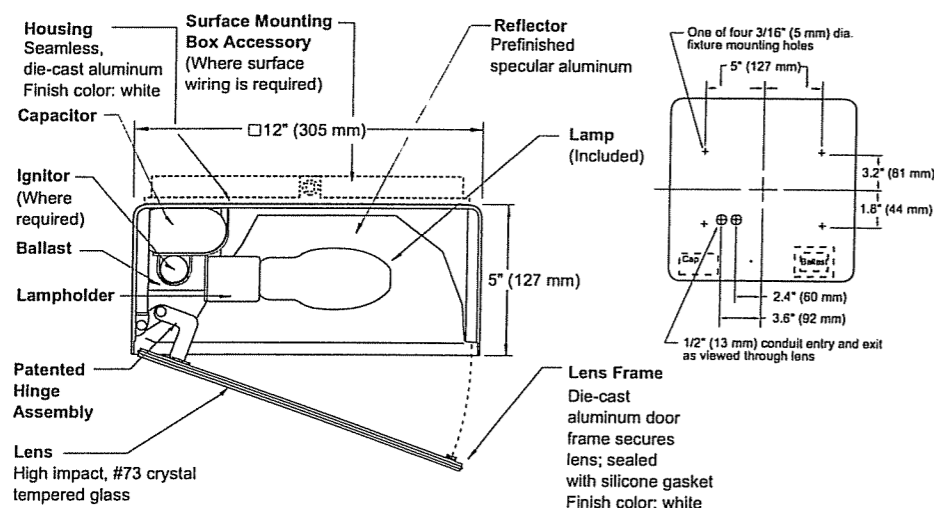
www.ruudlighting.com

12/11/03

X3

DIRECT MOUNT
12" (305 mm) CANOPY LIGHT

CLO-12
SERIES



Notes

SPEC #	WATTAGE	CATALOG #
PULSE START METAL HALIDE		
<input type="checkbox"/>	125W PSMH	MCL0612-(a)(b)
<input type="checkbox"/>	150W PSMH	MCL0615-(a)(b)
METAL HALIDE		
<input type="checkbox"/>	50W MH	MCL0405-(a)(b)
<input type="checkbox"/>	70W MH	MCL0407-(a)(b)
<input type="checkbox"/>	100W MH	MCL0410-(a)(b)
<input type="checkbox"/>	175W MH	MCL0417-(a)(b)
HIGH PRESSURE SODIUM		
<input type="checkbox"/>	35W HPS	MCL0503-(a)(b)
<input type="checkbox"/>	50W HPS	MCL0505-(a)(b)
<input type="checkbox"/>	70W HPS	MCL0507-(a)(b)
<input type="checkbox"/>	100W HPS	MCL0510-(a)(b)
<input type="checkbox"/>	150W HPS	MCL0515-(a)(b)
FLUORESCENT		
<input type="checkbox"/>	26W FL	MCL0226-(a)(b)

(a) VOLTAGE SUFFIX KEY
D 120V/277V (Standard: 125W PSMH; 50 - 100W MH; 50W HPS)
M 120/208/240/277V (Standard: 150W PSMH; 175W MH; 70 - 150W HPS) (50 - 100W MH)
T 120/277/347V (Canada Only) (Standard: 150W PSMH; 70 - 175W MH; 70 - 150W HPS)
1 120V (Standard: 26W FL, 35W HPS)
1 120V Reactor (50 - 150W HPS)
2 277V (26W FL)
27 277V Reactor (150W PSMH Only)
3 208V
4 240V
5 480V (175W MH; 70 - 150W HPS)
6 347V (Canada Only)

(b) OPTIONS (factory-installed)
A Acrylic Drop Prismatic Lens (1.8" [44 mm] Deep) (maximum wattage 100W)
-(a)F Fusing
J Tamperproof Lens Fasteners
Q Quartz Standby (includes 100W quartz lamp) (N/A on 277V Reactor)

For voltage availability outside the US and Canada, see Bulletin TD-9 or contact your Ruud Lighting authorized International Distributor.

Specify (a) Single Voltage — See Voltage Suffix Key

Specify (a) Voltage & (b) Options.

GENERAL DESCRIPTION
Canopy luminaire, totally enclosed. Reflector is specular aluminum. Housing is seamless, die-cast aluminum. Fixture is designed for direct mount over a recessed junction box. Provided with four 0.188" (5 mm) clearance holes and stainless-steel mounting screws with sealing washers. Two 1/2" conduit openings provided for wire supply. SB-16 Surface Box is required with 175W MH and 150W HPS units, unless mounting is to brick, concrete or metal surface. Acrylic Drop Prismatic Lens option measures 9.6" sq. x 1.8" (244 mm sq. x 44 mm). Lens assembly consists of rigid aluminum frame and high-impact, #73 crystal tempered glass.

ELECTRICAL
Fluorescent fixture supplied with a 26W quad compact fluorescent lamp. HID fixture includes clear, medium-base lamp. Pulse-rated porcelain enclosed, 4kv-rated screw-shell-type lampholder with spring-loaded center contact. Fixtures installed in US require a minimum 90°C temperature feed wire. Fixtures installed in Canada require a minimum 150°C temperature feed wire. Lamp ignitor included where required. Ballast assemblies are high-power factor and use the following circuit types:
Reactor (277V PSMH)
150W PSMH
Reactor
120V: 35 - 150W HPS
HX — High Reactance
50 - 100W MH; 50 - 150W HPS
CWA — Constant Wattage Autotransformer
125 & 150W PSMH; 175W MH
Transformer
26W FL

LABELS
ANSI lamp wattage label supplied, visible during relamping. UL Listed in the US and Canada for wet locations. Enclosure classified IP65 per IEC 529 and IEC 598.
Not UL Listed for feed-thru wiring unless SB-16 Surface Box accessory is used.

FINISH
Exclusive DeltaGuard® finish features an E-coat epoxy primer with white ultra-durable powder topcoat, providing excellent resistance to corrosion, ultraviolet degradation and abrasion. The finish is covered by our seven-year limited warranty.

PATENT
US 4,689,729

ACCESSORIES
FWG-12 Wire Guard
SB-16 Surface Box
TPS-1 Tamperproof Screwdriver



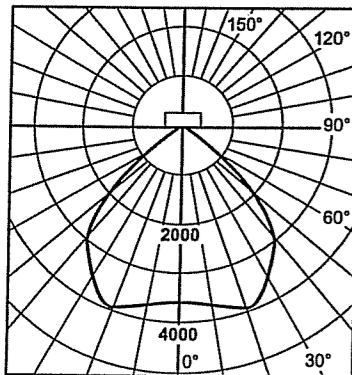
X3

CLO-12
SERIES

DIRECT MOUNT
12" (305 mm) CANOPY LIGHT

Metal Halide

Lamp: 175 Watt (Clear) -- 14,000 lumens
Lens: #73 Crystal Tempered Glass
Test Distance: 26' (8 m)
Certified Test Report: Lighting Sciences Inc. No. LSI 9562



Angle	Along	45	Across
0	3580	3580	3580
5	3515	3520	3618
10	3672	3677	3736
15	3668	3667	3863
20	3602	3987	3950
25	3510	3992	3833
30	3075	3817	3556
35	2602	3378	3270
40	2058	2720	2911
45	1480	2055	2334
50	1031	1415	1667
55	704	1024	1193
60	515	698	779
65	384	463	496
70	259	324	347
75	209	233	280
80	152	163	196
85	68	71	98
90	0	4	4

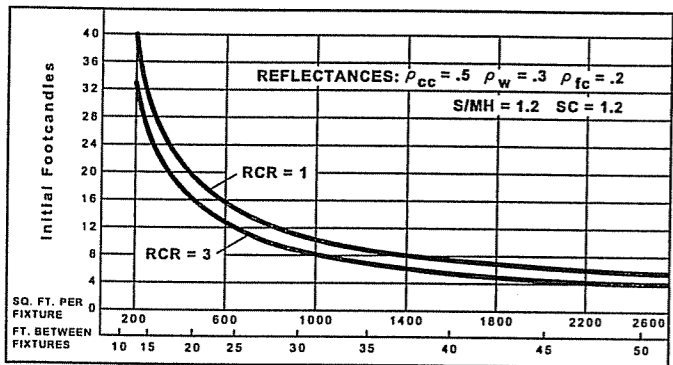
Efficiency = 63.2%; SC = 1.2; S/MH = 1.2

Zone	Lumens	% Lamp	% Fixture
0-30	3292	23.5	37.2
0-40	5316	38.0	60.1
0-60	7925	56.6	89.6
0-90	8840	63.1	100.00
90-120	0.0	0.0	0.0
90-130	0.0	0.0	0.0
90-150	0.0	0.0	0.0
90-180	0.0	0.0	0.0
0-180	8841	63.2	100.00

Coefficients of Utilization

Effective Floor Cavity Reflectance = 0.20

CC	80				70				50				30				10			
	70	50	30	10	70	50	30	10	50	30	10	50	30	10	50	30	10			
WALL																				
RCR																				
1	0.70	0.67	0.65	0.63	0.68	0.66	0.64	0.62	0.63	0.61	0.60	0.61	0.59	0.58	0.58	0.57	0.56			
2	0.64	0.60	0.56	0.53	0.63	0.59	0.55	0.53	0.57	0.54	0.51	0.55	0.52	0.50	0.53	0.51	0.49			
3	0.59	0.54	0.49	0.46	0.58	0.53	0.49	0.45	0.51	0.47	0.44	0.49	0.46	0.44	0.48	0.45	0.43			
4	0.55	0.48	0.43	0.40	0.54	0.48	0.43	0.39	0.46	0.42	0.39	0.45	0.41	0.38	0.43	0.40	0.38			
5	0.51	0.44	0.39	0.35	0.50	0.43	0.38	0.35	0.42	0.38	0.34	0.41	0.37	0.34	0.39	0.36	0.34			
6	0.47	0.40	0.35	0.31	0.46	0.39	0.34	0.31	0.38	0.34	0.31	0.37	0.33	0.30	0.36	0.33	0.30			
7	0.44	0.36	0.31	0.28	0.43	0.36	0.31	0.28	0.35	0.31	0.27	0.34	0.30	0.27	0.33	0.30	0.27			
8	0.41	0.33	0.28	0.25	0.40	0.33	0.28	0.25	0.32	0.28	0.25	0.31	0.27	0.25	0.31	0.27	0.24			
9	0.39	0.31	0.26	0.23	0.38	0.30	0.26	0.23	0.30	0.25	0.22	0.29	0.25	0.22	0.28	0.25	0.22			
10	0.36	0.28	0.24	0.21	0.35	0.28	0.24	0.21	0.27	0.23	0.20	0.27	0.23	0.20	0.26	0.23	0.20			



QUICK CALCULATOR: Use this chart to determine the number and spacing of Ruud 12" (305 mm) Canopy Lights with 175W MH lamp. Numbers and spacing for other wattages may be determined as follows: 50W multiply by 0.24; 70W multiply by 0.39; 100W multiply by 0.64.



9201 Washington Avenue Racine, Wisconsin 53406-3772 USA

PHONE (262) 886-1900

FAX (262) 884-3309

© Ruud Lighting Inc. Printed in USA

www.ruudlighting.com

12/11/03



FEATURES & SPECIFICATIONS

INTENDED USE— For building- and wall-mounted applications.

CONSTRUCTION — Rugged, die-cast, single-piece aluminum housing. Die-cast door frame has a 1/8" thick tempered glass lens. Door frame is fully gasketed with one-piece solid silicone.

FINISH — Standard finish is new textured dark bronze (DDBT) corrosion-resistant polyester powder finish, with other architectural colors available.

OPTICAL SYSTEM — Segmented reflectors for superior uniformity and control. Reflectors are interchangeable. Three full cutoff distributions available: FT (forward throw), MD (medium throw) and WT (wide throw).

ELECTRICAL SYSTEM — 50W-150W utilizes a high reactance, high power factor ballast. 35S utilizes a reactance high power factor ballast. 175W utilizes a constant-wattage autotransformer ballast. Quick disconnect plug easily disconnects reflector from ballast. Ballasts are copper-wound and 100% factory-tested. Porcelain, medium-base socket with copper alloy, nickel-plated screw shell and center contact. UL listed 660W, 600V 4KV pulse rated.

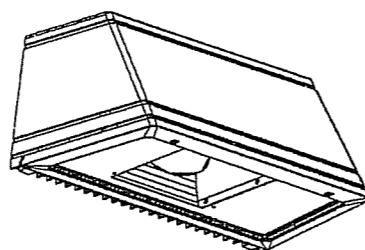
INSTALLATION — Universal mounting mechanism with integral mounting support allows fixture to hinge down. Bubble level provides correct alignment with each installation.

LISTING — UL Listed (standard). CSA Certified (see Options). Suitable for wet locations (damp location listed in lens-up orientation). WLU option offers wet location listing in up orientation (see Options). IP65 rated.

Catalog Number	
Notes	Type X4

Decorative Wall-Mounted Lighting

WST



METAL HALIDE
50W-175W
HIGH-PRESSURE SODIUM
35W-150W

Specifications

Length: 16.25 (41.2)
Depth: 9.13 (23.2)
Overall Height: 7.25 (18.4)
Max. Weight: 30 lbs (13.6 kg)

All dimensions are inches (centimeters) unless otherwise specified.

ORDERING INFORMATION

Example: **WST 175M FT 120 SF LPI DNAT**

Choose the boldface catalog nomenclature that best suits your needs and write it on the appropriate line.

WST	100M	WT	TP	SF	DDBT
Series	Wattage/source	Distribution	Voltage	Options	
WST	<u>High pressure sodium</u>	FT Forward throw	120	<u>Shipped installed in fixture</u>	
	35S ¹	MD Medium throw	208 ²	<u>SF</u> Single fuse (120, 277, 347V, n/a TB)	<u>Shipped separately</u>
	50S	(coated lamp std.)	240 ²	DF Double fuse (208, 240V, n/a TB or TBV)	WSBBW Surface-mounted back box
	70S	<u>WT</u> Wide throw	277	EC Emergency circuit (25W max 120V, incandescent lamp included) ⁵	UT5 Uptilt 5 degrees
	100S		347	DC12 Emergency circuit 12 volt (35W lamp included std.) ⁶	WSTWG Wire guard ⁸
	150S		<u>TB³</u>	2DC12 Emergency circuit 12 volt (2, 35W lamps included) ⁶	WSTVG Vandal guard ⁸
			<u>TBV⁴</u>	DC2012 Emergency circuit 12 volt (20W lamp included) ⁶	<u>Architectural colors¹⁰</u>
	<u>Metal halide</u>			2DC2012 Emergency circuit 12 volt (2, 20W lamps included) ⁶	<u>Standard textured colors</u>
	50M			QRS Quartz restrike system (100W max 120V, quartz lamp not included) ⁷	<u>DDBT</u> Dark bronze (std.)
	70M			CR Enhanced corrosion resistance	DSST Sandstone
	<u>100M</u>			CRT Non-stick protective coating (black only)	DNAT Natural aluminum
	150M			PE Photoelectric cell-button type (n/a TB/TBV) ⁸	DWHG White
	175M			WLU Wet location door for up orientation	DBLB Black
				IBS Internal backlight shield ⁹	<u>Optional textured colors</u>
				DFL Diffusing lens	DBNH Bronze
				LPI Lamp included (std)	DSPD Dark gray
				L/LP Less lamp	DSPJ Light gray
				CSA CSA Certified	DSPE Green
					DSPG Dark red
					DSPF Rust
					DSPH Red
					<u>Striping</u>
					SDBB Dark bronze
					SDWH White
					SDBL Black
					SDNA Natural aluminum
					SDTG Tennis green
					SDBR Bright red
					SDBUA Dark blue
					SDGYM Gray
					SDYLB Yellow

NOTES:

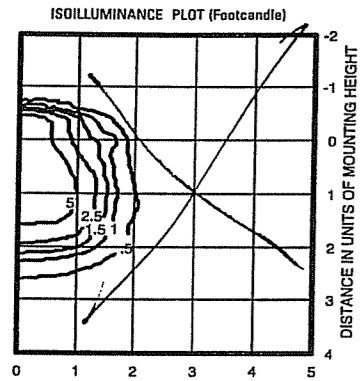
- 120V only.
- Consult factory for availability in Canada.
- Optional multi-tap ballast (120, 208, 240, 277V; 120, 277, 347V in Canada).
- Optional penta-tap ballast (120, 208, 240, 277, 480V; not available in Canada). 175W metal halide only.
- Not available with QRS.
- Not available with SF, DF or QRS.
- Not available with EC.
- Must be ordered with fixture; cannot be field installed.
- Not available with medium throw (MD) distribution.
- Additional architectural colors available; see www.lithonia.com for more information.

XA

WST Metal Halide, High Pressure Sodium Building Mounted

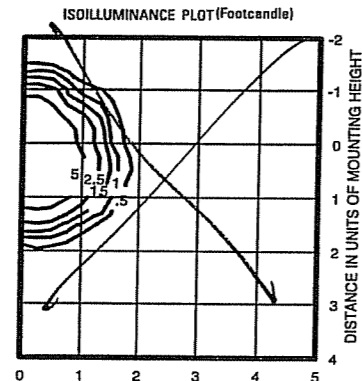
↗

WST 175M FT TEST NO: LTL11069



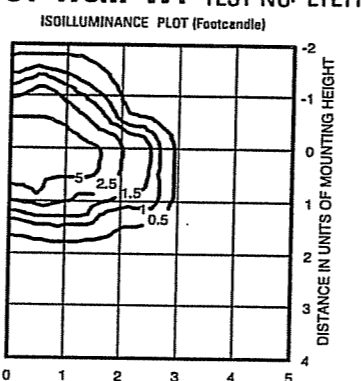
175W metal halide lamp, horizontal lamp orientation
Footcandle values based on 12' mounting height, 12800 rated lumens.
Luminaire Efficiency: 52.9%

WST 175M MD TEST NO: LTL11068



175W metal halide lamp, horizontal lamp orientation
Footcandle values based on 12' mounting height, 11080 rated lumens.
Luminaire Efficiency: 60.2%

WST 175M WT TEST NO: LTL11070



175W metal halide lamp, horizontal lamp orientation
Footcandle values based on 12' mounting height, 12800 rated lumens.
Luminaire Efficiency: 62.4%

Lamp	Initial Lumens	Mounting Height			
		10'	12'	14'	16'
Metal Halide					
50W MH	3,900	0.43	0.30	0.22	0.17
70W MH	5,500	0.62	0.43	0.31	0.24
100W MH	8,500	0.95	0.66	0.48	0.37
150W MH	12,500	1.41	0.98	0.72	0.55
175W MH	12,800	1.44	1.0	0.73	0.56
High Pressure Sodium					
35W HPS	2,250	0.26	0.18	0.13	0.10
50W HPS	4,000	0.45	0.31	0.23	0.17
70W HPS	6,400	0.72	0.50	0.37	0.28
100W HPS	9,500	1.07	0.74	0.54	0.41
150W HPS	16,000	1.80	1.25	0.91	0.70



	Pavement		Pavement		
General Parking and Pedestrian Areas	5 fc	1.25 fc	9 fc	4:1	.2
Private Controlled Entry Parking	3 fc	.75 fc	6 fc	4:1	.2

1 Not mandatory within 4 feet of the pavement edge.

2 Not mandatory for driveways.

3 Watts shall mean lamp wattage and ballast consumption.

(b) An outdoor lighting system for illuminating buildings and structures shall have a maximum connected lighting load of five (5) watts per lineal foot. Watts shall mean lamp wattage and ballast consumption. Such lighting shall be shielded or installed so as to illuminate the building, and not the sky.

(c) A parking facility for more than three (3) cars on a residential site shall be lighted to provide at least .25 footcandles on any surface with an average illumination level of at least .75 footcandles. Outdoor light fixtures shall be designed and installed to minimize light trespass. In addition, the uniformity ratio between the average illumination and minimum illumination shall be no greater than 4:1. (Am. by ORD-05-00055, 4-6-05)

(d) For an outdoor merchandizing area, the maximum initial illumination level in 75% of the lot shall not exceed 20 footcandles. A contiguous area not to exceed 25% of the lot may be illuminated to a level which shall not exceed 40 footcandles.

(e) ~~The maximum initial illumination level under an outdoor canopy shall not exceed 50 footcandles at any point.~~

(Am. by Ord. 13,717, 10-26-04)

(5) Approval Procedures

(a) Any person desiring to install outdoor lighting fixtures greater than 1,000 initial lumens shall submit to the Inspection Unit for review the following materials:

1. A catalog page, cut sheet or photograph of the lighting fixtures including the mounting method.
2. A photometric data test report of the proposed lighting fixture graphically showing the lighting distribution in all angles vertically and horizontally around the fixture.
3. A plot plan showing the location of all outdoor lighting fixtures proposed, the mounting or installation height, the overall initial illumination levels and uniformities and the point where 0.5 horizontal footcandles occurs on the property or adjacent property at a distance four (4) feet above the ground. This may be accomplished by means of an isolux curve or computer printout projecting the illumination levels.
4. A graphic depiction of the lighting fixture's lamp concealment and light cutoff angles.

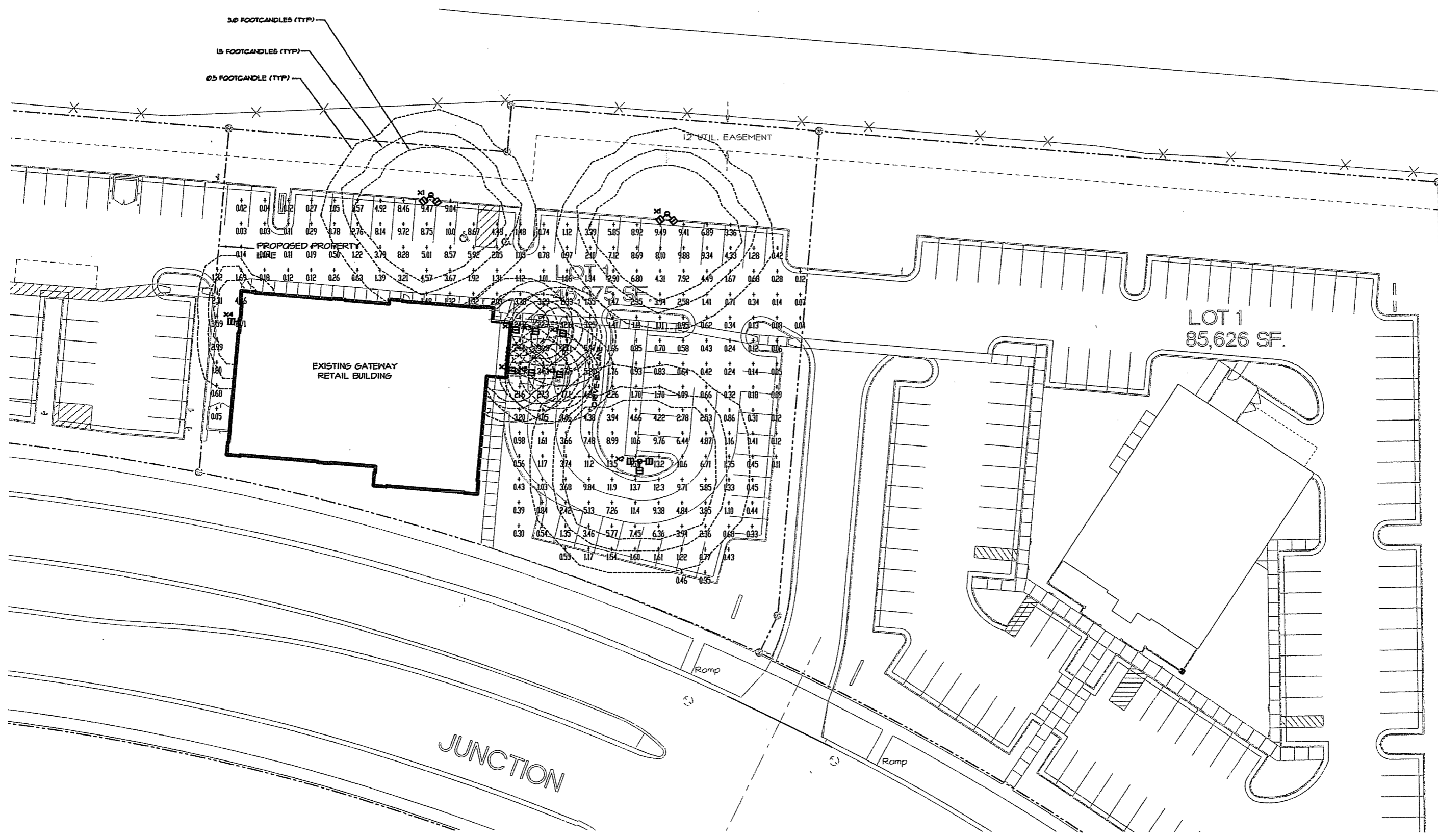
(Am. by Ord. 13,717, 10-26-04)

(b) Upon review of the material described above, the Inspection Unit may authorize the installation of

PKG/REV NO.	DATE
	6-07-06
	7-13-06
	7-18-06

PROJECT NO: 06-XX
DRAWN BY: DAS
CHECKED BY: MH

SHEET:
SL-1



TYP	SYMBOL	DESCRIPTION	LAMP	LUMENS	MOUNTING/BALLAST	LLF	QTY
X1		ROAD LIGHTING 2 HEAD (2) "A" 250 W/1	(2)	20000	19' 2"	0.90	2
X2		ROAD LIGHTING 3 HEAD (3) "A" 250 W/1	(3)	20000	19' 2"	0.90	1
X3		ROAD LIGHTING 12' 150W CANOPY (1) CANOPY MCL0615-N 150W/1	(1) MH-150W/U/PS	12,600	CANOPY LIGHT HTD 10' AFT	0.90	6
X4		LITHIUM LIGHT 100 W/1 (1) "D" VST 100 W/1	(1) MP100/W/MD	8500	WALL-MTD AT 10' AFT	0.90	1

DWG File created by LitePro 2013 on 7/18/2006 12:10:16 PM

AREA NAME	DIMENSIONS	GRID / TYPE	# PTS	SPAC	GROUP	AVE	MAX	MIN	MAX/MIN	AVE/MIN
Area1	318.60x365.60' 1	PARKING / H-H	235	10.00	(*)	4.4	36.3	0.0	363/0	263.9

SITE LIGHTING ILLUMINATION PLAN - PARKING

1" = 20' - 0"



Drafting name: H:\PROJECTS\06\AnchorBank\Lot Road\SL-1.dwg & SL-2.dwg (P) & SL-3.dwg (P) & SL-4.dwg (P) & SL-5.dwg (P) & SL-6.dwg (P) & SL-7.dwg (P) & SL-8.dwg (P) & SL-9.dwg (P) & SL-10.dwg (P) & SL-11.dwg (P) & SL-12.dwg (P) & SL-13.dwg (P) & SL-14.dwg (P) & SL-15.dwg (P) & SL-16.dwg (P) & SL-17.dwg (P) & SL-18.dwg (P) & SL-19.dwg (P) & SL-20.dwg (P) & SL-21.dwg (P) & SL-22.dwg (P) & SL-23.dwg (P) & SL-24.dwg (P) & SL-25.dwg (P) & SL-26.dwg (P) & SL-27.dwg (P) & SL-28.dwg (P) & SL-29.dwg (P) & SL-30.dwg (P) & SL-31.dwg (P) & SL-32.dwg (P) & SL-33.dwg (P) & SL-34.dwg (P) & SL-35.dwg (P) & SL-36.dwg (P) & SL-37.dwg (P) & SL-38.dwg (P) & SL-39.dwg (P) & SL-40.dwg (P) & SL-41.dwg (P) & SL-42.dwg (P) & SL-43.dwg (P) & SL-44.dwg (P) & SL-45.dwg (P) & SL-46.dwg (P) & SL-47.dwg (P) & SL-48.dwg (P) & SL-49.dwg (P) & SL-50.dwg (P) & SL-51.dwg (P) & SL-52.dwg (P) & SL-53.dwg (P) & SL-54.dwg (P) & SL-55.dwg (P) & SL-56.dwg (P) & SL-57.dwg (P) & SL-58.dwg (P) & SL-59.dwg (P) & SL-60.dwg (P) & SL-61.dwg (P) & SL-62.dwg (P) & SL-63.dwg (P) & SL-64.dwg (P) & SL-65.dwg (P) & SL-66.dwg (P) & SL-67.dwg (P) & SL-68.dwg (P) & SL-69.dwg (P) & SL-70.dwg (P) & SL-71.dwg (P) & SL-72.dwg (P) & SL-73.dwg (P) & SL-74.dwg (P) & SL-75.dwg (P) & SL-76.dwg (P) & SL-77.dwg (P) & SL-78.dwg (P) & SL-79.dwg (P) & SL-80.dwg (P) & SL-81.dwg (P) & SL-82.dwg (P) & SL-83.dwg (P) & SL-84.dwg (P) & SL-85.dwg (P) & SL-86.dwg (P) & SL-87.dwg (P) & SL-88.dwg (P) & SL-89.dwg (P) & SL-90.dwg (P) & SL-91.dwg (P) & SL-92.dwg (P) & SL-93.dwg (P) & SL-94.dwg (P) & SL-95.dwg (P) & SL-96.dwg (P) & SL-97.dwg (P) & SL-98.dwg (P) & SL-99.dwg (P) & SL-100.dwg (P)

Printed on Jul 18, 2006 - 12:29pm