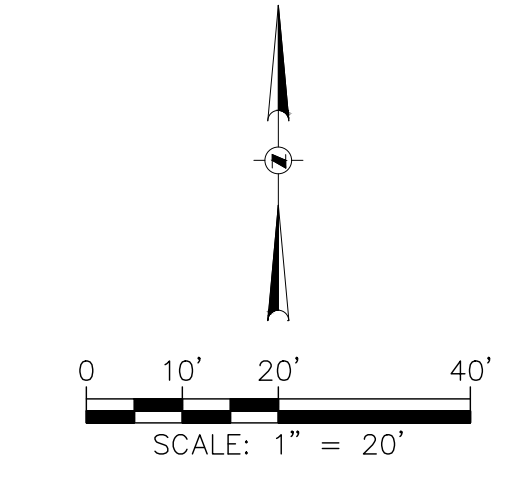


**GENERAL NOTES**

1. THE BASE SURVEY WAS PREPARED BY BIRRENKOTT SURVEYING INC. ON OCTOBER 21, 2015. ALL UNDERGROUND UTILITIES AND STRUCTURES HAVE BEEN SHOWN TO A REASONABLE DEGREE OF ACCURACY AND IT SHALL BE THE CONTRACTOR'S RESPONSIBILITY TO VERIFY EXACT LOCATION OF ALL UNDERGROUND UTILITIES.
2. VERTICAL DATUM IS BASED ON XXX.
3. BENCHMARKS  
1.  
2.
4. CONTRACTOR SHALL VERIFY LOCATION OF WORK AND REPORT ANY DISCREPANCIES TO THE ENGINEER PRIOR TO COMMENCING WORK.



**122 STATE ST.**  
NEW HOTEL AND RESTAURANT

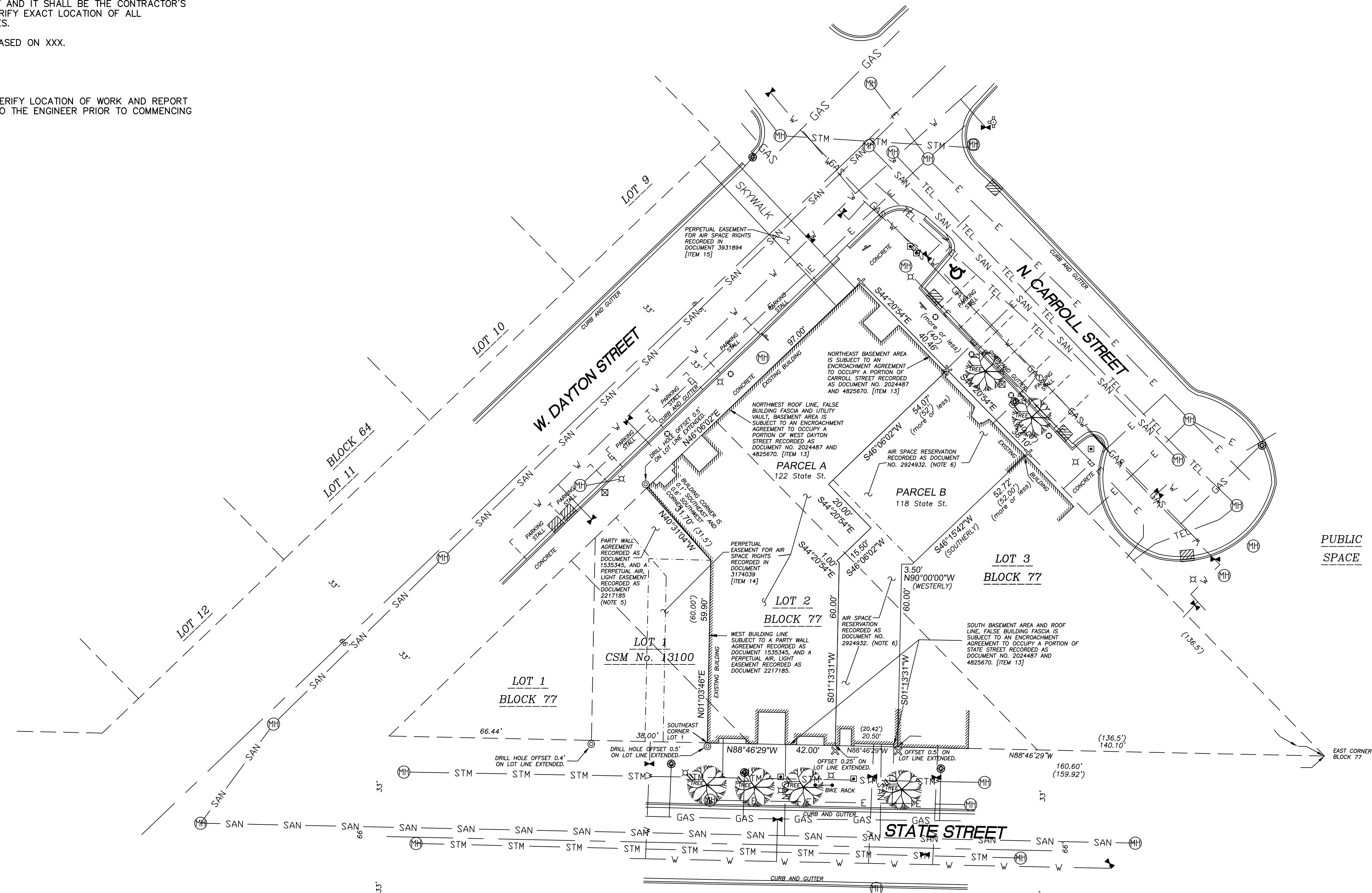
122 STATE ST.  
MADISON, WI. 53703



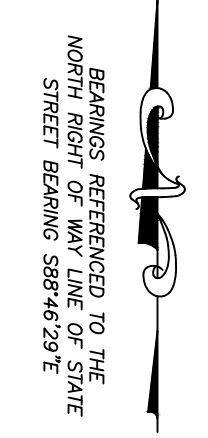
CONSULTANTS:

**C STRUCTURAL/CIVIL ENGINEER:**  
GRAEF  
5126 W. TERRACE DRIVE  
MADISON, WI 53718  
P. 604.242.1550

**MEP ENGINEER:**  
CDA  
46 RIVERSIDE AVE.  
WESTPORT, CT 06880  
P. 203.299.0250



PUBLIC SPACE



- Legend:**
- ⊙ FOUND DRILL HOLE IN CONCRETE
  - ⊗ SET CHISELED 'X' IN CONCRETE
  - ⊘ WATER SHUTOFF
  - ⊕ FIRE HYDRANT
  - ⊕ MANHOLE (SAN, STORM, MG&E)
  - ⊕ CURB INLET
  - ⊕ LIGHT POLE
  - ⊕ PARKING STALL # SIGN
  - ⊕ TRAFFIC SIGN
  - ⊕ PARKING METER
  - ⊕ FLUSH BOX
  - ⊕ GAS VALVE
  - ⊕ HANDICAP PARKING STALL
  - EASEMENT LINE
  - SAN --- SANITARY SEWER
  - STM --- STORM SEWER
  - W --- WATER MAIN
  - E --- BURIED ELECTRIC
  - TEL --- BURIED TELEPHONE
  - TV --- BURIED TELEVISION
  - GAS --- BURIED GAS

1	LANDUSE APPLICATION	07.12.18
#	REVISION / ISSUE	DATE

SEAL

THESE DOCUMENTS HAVE BEEN PREPARED BY ME OR UNDER MY CLOSE PERSONAL SUPERVISION, AND THEY COMPLY WITH ALL CITY REQUIREMENTS

SHEET TITLE:  
**EXISTING CONDITIONS PLAN**

PROJECT # #PH  
**C100**

NOTICE:  
In accordance with Wisconsin statute 182.0175, damage to transmission facilities, excavator shall be solely responsible to provide advance notice to the designated "ONE CALL SYSTEM" not less than three working days prior to commencement of any excavation required to perform work contained on this drawing, and further, excavator shall comply with all other requirements of this statute relative to excavator's work.

DISCLAIMER:  
The underground utilities shown have been located from field survey information and existing drawings. The surveyor makes no guarantees that the underground utilities shown comprise all such utilities in the area, either in service or abandoned. The surveyor further does not warrant that the underground utilities shown are in the exact location indicated although he does certify that they are located as accurately as possible from information available. The surveyor has not physically located the underground utilities.

X:\WD\2018\20180209\CAD\Site\dwg\00C\_100\_Existing\_Conditions\_Plan\_5029 7/12/2018 4:55 PM



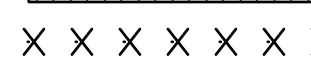





**GENERAL NOTES**

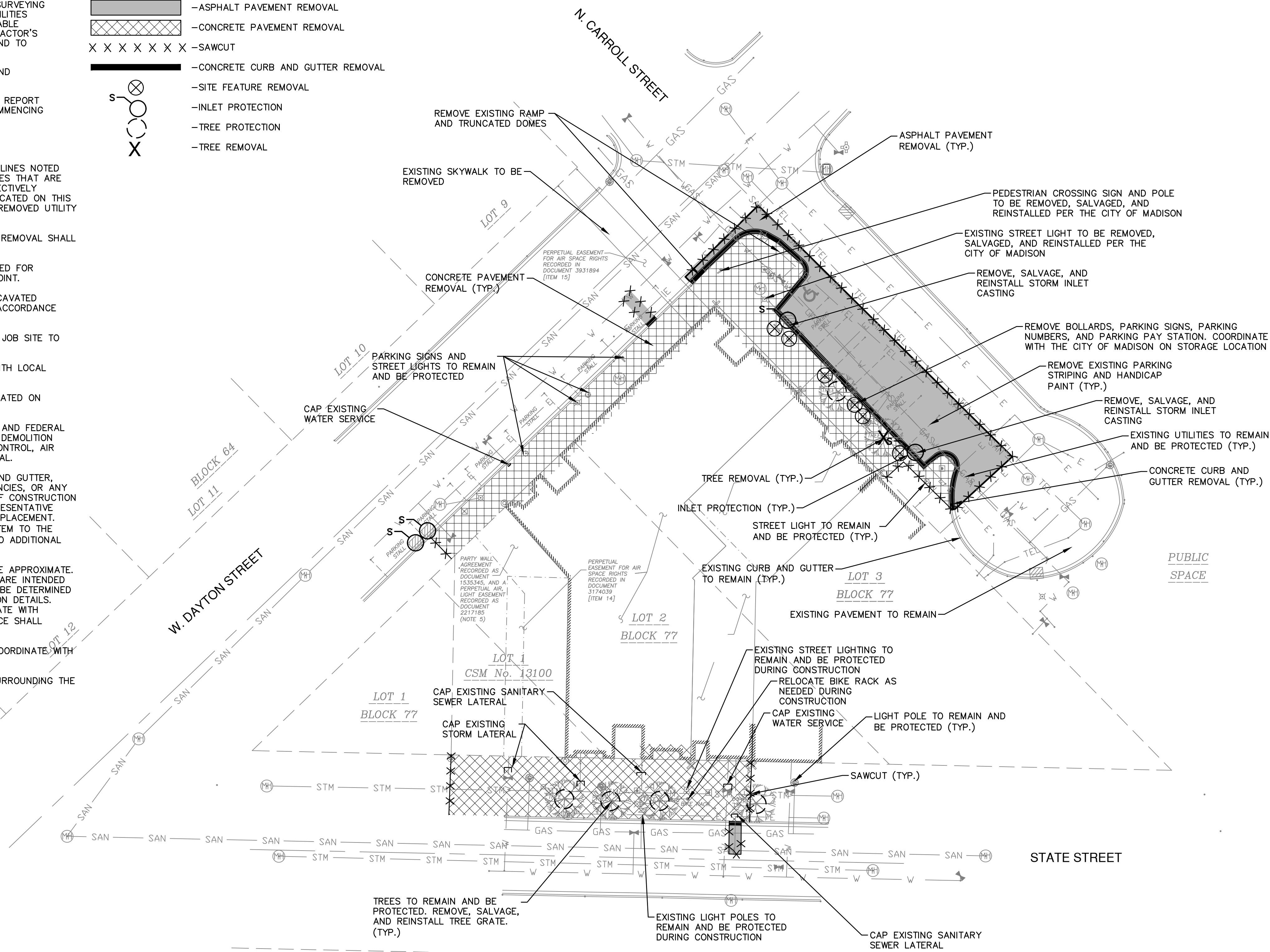
1. THE BASE SURVEY WAS PREPARED BY BIRRENKOTT SURVEYING INC. ON OCTOBER 21, 2015. ALL UNDERGROUND UTILITIES AND STRUCTURES HAVE BEEN SHOWN TO A REASONABLE DEGREE OF ACCURACY AND IT SHALL BE THE CONTRACTOR'S RESPONSIBILITY TO VERIFY THEIR EXACT LOCATION AND TO AVOID DAMAGE THERETO.
2. REFER TO SHEET C100 FOR BENCHMARKS, DATUM, AND TOPOGRAPHIC ELEMENTS.
3. CONTRACTOR SHALL VERIFY LOCATION OF WORK AND REPORT ANY DISCREPANCIES TO THE ENGINEER PRIOR TO COMMENCING WORK.

**REMOVAL NOTES**

1. CONTRACTOR SHALL VERIFY ALL EXISTING UTILITY LINES NOTED FOR ABANDONMENT OR REMOVAL. EXISTING UTILITIES THAT ARE TO BE ABANDONED OR REMOVED SHALL BE RESPECTIVELY ABANDONED OR REMOVED TO THE LOCATIONS INDICATED ON THIS PLAN. ALL UTILITY STRUCTURES LOCATED ALONG REMOVED UTILITY LINES SHALL BE REMOVED IN THEIR ENTIRETY.
2. ASPHALT AND CONCRETE PAVEMENT NOTED FOR REMOVAL SHALL BE SAW CUT TO FULL DEPTH PRIOR TO REMOVAL.
3. CONCRETE CURB AND GUTTER AND SIDEWALK NOTED FOR REMOVAL SHALL BE REMOVED AT THE NEAREST JOINT.
4. ITEMS SCHEDULED FOR REMOVAL AND EXCESS EXCAVATED MATERIALS SHALL BE DISPOSED OF OFF-SITE IN ACCORDANCE WITH ANY APPLICABLE REGULATIONS.
5. CONTRACTOR IS RESPONSIBLE FOR SECURING THE JOB SITE TO PROTECT THE PUBLIC.
6. CONTRACTOR IS RESPONSIBLE FOR COMPLIANCE WITH LOCAL ORDINANCES FOR DUST CONTROL.
7. UTILITIES SHALL BE REMOVED TO LOCATIONS INDICATED ON PLANS.
8. CONTRACTOR SHALL COMPLY WITH LOCAL, STATE, AND FEDERAL CODES, RULES AND REGULATIONS APPLICABLE TO DEMOLITION WORK INCLUDING BUT NOT LIMITED TO EROSION CONTROL, AIR POLLUTION, NOISE POLLUTION, AND WASTE DISPOSAL.
9. CONTRACTOR SHALL REPLACE PAVEMENT, CURB AND GUTTER, TREES, LAWN AREA, ANY ABOVE GROUND APPETENCIES, OR ANY OTHER ITEM THAT WAS DAMAGED AS A RESULT OF CONSTRUCTION RELATED ACTIVITIES AS DEEMED BY OWNERS REPRESENTATIVE THAT WAS NOT CALLED OUT FOR REMOVAL OR REPLACEMENT. CONTRACTOR SHALL REPLACE/REPAIR DAMAGED ITEM TO THE SATISFACTION OF OWNER'S REPRESENTATIVE AT NO ADDITIONAL COST TO THE OWNER.
10. TREE PROTECTION FENCING LOCATIONS SHOWN ARE APPROXIMATE. ALL EXISTING TREES OUTSIDE OF PROJECT LIMITS ARE INTENDED TO REMAIN. FINAL LOCATIONS OF FENCING SHALL BE DETERMINED IN THE FIELD AND AS IDENTIFIED ON CONSTRUCTION DETAILS. ADDITIONAL FENCING MAY BE REQUIRED. COORDINATE WITH OWNER'S REPRESENTATIVE. TREE PROTECTION FENCE SHALL REMAIN IN PLACE THROUGHOUT CONSTRUCTION.
11. REMOVE ALL PLANTER POTS AND TRASH CANS. COORDINATE WITH THE CITY OF MADISON ON FINAL LOCATION.
12. CONTRACTOR SHALL FILL ALL EXISTING VAULTS SURROUNDING THE BUILDING THAT ARE TO BE ABANDONED.

**LEGEND**

-  - ASPHALT PAVEMENT REMOVAL
-  - CONCRETE PAVEMENT REMOVAL
-  - SAWCUT
-  - CONCRETE CURB AND GUTTER REMOVAL
-  - SITE FEATURE REMOVAL
-  - INLET PROTECTION
-  - TREE PROTECTION
-  - TREE REMOVAL



**EROSION CONTROL NOTES**

1. CONSTRUCTION SITE EROSION CONTROL AND SEDIMENTATION CONTROL SHALL COMPLY WITH THE REQUIREMENTS OF THE CITY OF MADISON, AND SHALL EMPLOY EROSION CONTROL METHODS AS SHOWN AND SPECIFIED IN THE WISCONSIN DEPARTMENT OF NATURAL RESOURCES (WDNR) "CONSTRUCTION SITE EROSION AND SEDIMENT CONTROL TECHNICAL STANDARDS".
2. ALL EROSION CONTROL MEASURES SHALL BE ADJUSTED TO MEET FIELD CONDITIONS AT THE TIME OF CONSTRUCTION AND SHALL BE INSTALLED PRIOR TO ANY GRADING OR DISTURBANCE OF EXISTING SURFACE MATERIAL ON THE SITE.
3. ALL EROSION AND SEDIMENT CONTROL MEASURES WILL BE CHECKED FOR STABILITY AND OPERATION AFTER A RAINFALL OF 0.5 INCHES OR MORE, BUT NO LESS THAN ONCE EVERY WEEK. MAINTENANCE OF ALL EROSION CONTROL STRUCTURES SHALL BE PROVIDED TO INSURE INTENDED PURPOSE IS ACCOMPLISHED. REPAIRS AND MAINTENANCE SHALL BE COMPLETED WITHIN 24 HOURS OF INSPECTION. CONTRACTOR SHALL BE RESPONSIBLE FOR CLEANUP AND REMOVAL OF ALL SEDIMENT WHEN LEAVING PROPERTY. EROSION CONTROL MEASURES MUST BE IN WORKING CONDITION AT END OF EACH WORK DAY.
4. PERIODIC STREET SWEEPING SHALL BE COMPLETED TO MAINTAIN THE PUBLIC STREET FREE OF DUST AND DIRT.
5. CONSTRUCTION SEQUENCE FOR EROSION CONTROL INCLUDES:
  1. INSTALL INLET PROTECTION.
  2. REMOVE EXISTING PAVEMENT AND UTILITIES NOTED FOR REMOVAL
  3. PERFORM MASS EXCAVATION
  4. COMPLETE BUILDING CONSTRUCTION, INSTALLING ALL OTHER UTILITIES, AND FINAL GRADING.
  5. PAVE PARKING LOTS, DRIVES, AND SIDEWALKS.
  6. REMOVE EROSION CONTROL DEVICES ONCE THE SITE IS STABILIZED AND PERMANENT VEGETATION IS ESTABLISHED AS APPROVED BY THE ENGINEER.
6. SITE DEWATERING. WATER PUMPED FROM THE SITE SHALL BE TREATED BY APPROPRIATE BEST MANAGEMENT PRACTICES SPECIFIED IN THE WDNR "CONSTRUCTION SITE EROSION AND SEDIMENT CONTROL TECHNICAL STANDARDS" AND IN ACCORDANCE WITH CITY OF MADISON ENGINEERING DEPARTMENT. WATER SHALL NOT BE DISCHARGED IN A MANNER THAT CAUSES EROSION OF THE SITE, ADJACENT SITES, OR RECEIVING CHANNELS.
7. WASTE AND MATERIAL DISPOSAL. ALL WASTE AND UNUSED BUILDING MATERIALS (INCLUDING GARBAGE, DEBRIS, CLEANING WASTES, WASTEWATER, TOXIC MATERIALS, OR HAZARDOUS MATERIALS) SHALL BE PROPERLY DISPOSED AND NOT ALLOWED TO BE CARRIED OFF-SITE BY RUNOFF OR WIND.
8. SEDIMENT CLEANUP. ALL OFF-SITE SEDIMENT DEPOSITS OCCURRING AS A RESULT OF A STORM EVENT SHALL BE CLEANED UP BY THE END OF THE NEXT WORK DAY. ALL OTHER OFF-SITE SEDIMENT DEPOSITS OCCURRING AS A RESULT OF CONSTRUCTION ACTIVITIES SHALL BE CLEANED UP BY THE END OF THE WORK DAY.
9. WHEN THE DISTURBED AREA HAS BEEN STABILIZED BY PERMANENT VEGETATION OR OTHER MEANS, TEMPORARY BEST MANAGEMENT PRACTICES.
10. NOTIFY THE CITY OF MADISON WITHIN TWO WORKING DAYS OF COMMENCING ANY LAND DEVELOPMENT OR LAND DISTURBING ACTIVITY.
11. NOTIFY THE CITY OF MADISON OF COMPLETION OF ANY BEST MANAGEMENT PRACTICES WITHIN THE NEXT WORKING DAY AFTER THEIR INSTALLATION.
12. OBTAIN PERMISSION IN WRITING FROM THE CITY OF MADISON ENGINEERING DEPARTMENT PRIOR TO MODIFYING THE EROSION CONTROL PLAN. NOTIFY WDNR AT LEAST FIVE WORKING DAYS PRIOR TO IMPLEMENTING CHANGES TO THE EROSION CONTROL PLAN.
13. REPAIR ANY SILTATION OR EROSION DAMAGE TO ADJOINING SURFACES AND DRAINAGE WAYS RESULTING FROM LAND DEVELOPMENT OR LAND DISTURBING ACTIVITIES.
14. KEEP A COPY OF THE EROSION CONTROL PLAN ON SITE.

122 STATE ST.

NEW HOTEL AND RESTAURANT

122 STATE ST.  
MADISON, WI. 53703



CONSULTANTS:

STRUCTURAL/CIVIL ENGINEER:  
GRAEF  
5126 W. TERRACE DRIVE  
MADISON, WI 53718  
P. 604.242.1550

MEP ENGINEER:  
CDA  
46 RIVERSIDE AVE.  
WESTPORT, CT 06880  
P. 203.299.0250

1	LANDUSE APPLICATION	07.12.18
#	REVISION / ISSUE	DATE

SEAL

THESE DOCUMENTS HAVE BEEN PREPARED BY ME OR UNDER MY CLOSE PERSONAL SUPERVISION, AND THEY COMPLY WITH ALL CITY REQUIREMENTS

SHEET TITLE:

DEMOLITION AND EROSION CONTROL PLAN

PROJECT #:

**C200**

**GENERAL NOTES**

1. THE BASE SURVEY WAS PREPARED BY BIRRENKOTT SURVEYING INC. ON OCTOBER 21, 2015. ALL UNDERGROUND UTILITIES AND STRUCTURES HAVE BEEN SHOWN TO A REASONABLE DEGREE OF ACCURACY AND IT SHALL BE THE CONTRACTOR'S RESPONSIBILITY TO VERIFY THEIR EXACT LOCATION AND TO AVOID DAMAGE THERETO.
2. REFER TO SHEET C100 FOR BENCHMARKS, DATUM, AND TOPOGRAPHIC ELEMENTS.
3. CONTRACTOR SHALL VERIFY LOCATION OF WORK AND REPORT ANY DISCREPANCIES TO THE ENGINEER PRIOR TO COMMENCING WORK.

**LAYOUT NOTES**

1. THE BUILDING OUTLINES SHOWN ARE FOR REFERENCE PURPOSES ONLY AND SHALL NOT BE USED FOR STAKING PURPOSES. THE CONTRACTOR SHALL COORDINATE WITH THE ARCHITECT AND STRUCTURAL ENGINEER ON THE STAKING OF THE BUILDING.
2. DIMENSIONS AND RADII ARE SHOWN FROM FACE OF CURB TO BUILDING FACE OR TO RIGHT-OF-WAY LINE WITHIN THE SIDEWALK.
3. CONTRACTOR SHALL MATCH EXISTING SIDEWALK JOINTING PATTERN.
4. CONTRACTOR SHALL COORDINATE WITH THE CITY OF MADISON ON ANY RELOCATION AND REINSTALLATIONS OF STREET LIGHTS, SIGNS, AND PAY STATION.
5. ALL PROPOSED WORK WITHIN RIGHT-OF-WAY WILL NEED TO MEET CITY OF MADISON STANDARDS AND SPECIFICATIONS.

**LAND USE SUMMARY**

TOTAL PARCEL AREA	13,210 S.F.	0.30 ACRES
RIGHT-OF-WAY PAVED AREA	7,185 S.F.	0.16 ACRES
RIGHT-OF-WAY LANDSCAPED AREA	0 S.F.	0.00 ACRES
TOTAL SITE AREA	20,395 S.F.	0.47 ACRES

**BUILDING SUMMARY**

BASEMENT	13,125 S.F.
1ST FLOOR/LOBBY/LOWER LOBBY	13,125 S.F.
2ND FLOOR	12,989 S.F.
3RD FLOOR	12,989 S.F.
4TH FLOOR	12,579 S.F.
5TH FLOOR	10,131 S.F.
6TH FLOOR	10,131 S.F.
7TH FLOOR	10,131 S.F.
8TH FLOOR	10,131 S.F.
BAR/LOUNGE/TERRACE	10,057 S.F.
ROOF/MECH	5,216 S.F.
GROSS BUILDING	106,388 S.F.
OVERALL BUILDING SITE	13,237 S.F.
LOT COVERAGE	99%
USEABLE OPEN SPACE	0 S.F.
LANDSCAPE AREA	0 S.F.
PAVED AREA	0 S.F.
TOTAL ROOM NUMBER	133

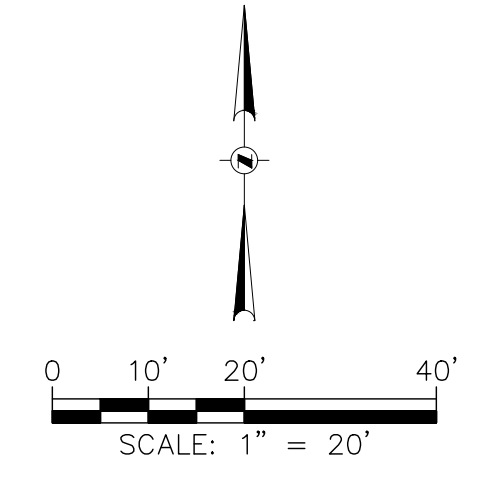
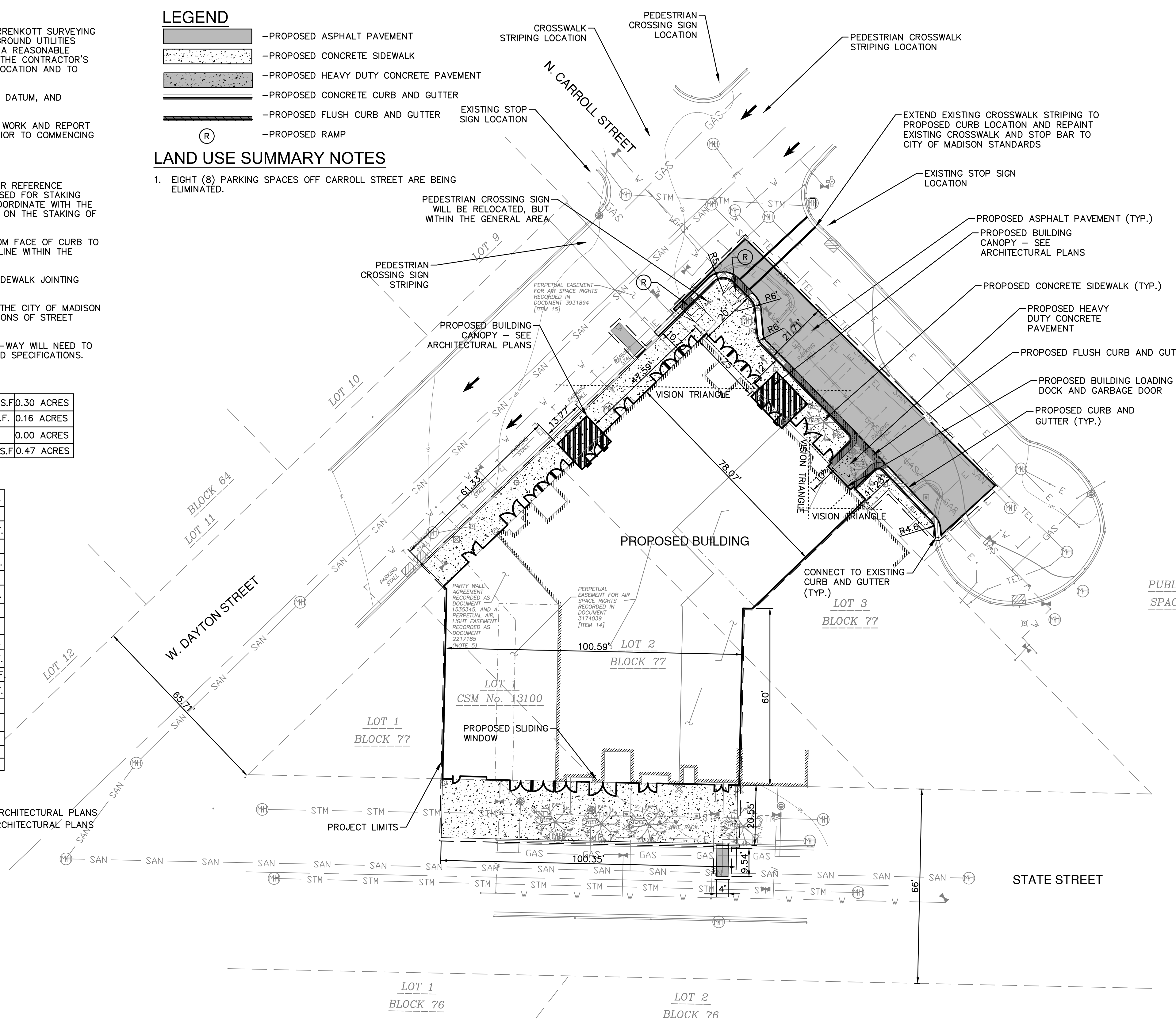
UNIT SIZE BREAKDOWN BY BEDROOM = SEE ARCHITECTURAL PLANS  
 NUMBER AND SIZE OF TENANT UNIT = SEE ARCHITECTURAL PLANS

**LEGEND**

- PROPOSED ASPHALT PAVEMENT
- PROPOSED CONCRETE SIDEWALK
- PROPOSED HEAVY DUTY CONCRETE PAVEMENT
- PROPOSED CONCRETE CURB AND GUTTER
- PROPOSED FLUSH CURB AND GUTTER
- PROPOSED RAMP

**LAND USE SUMMARY NOTES**

1. EIGHT (8) PARKING SPACES OFF CARROLL STREET ARE BEING ELIMINATED.



**122 STATE ST.**  
 NEW HOTEL AND RESTAURANT

122 STATE ST.  
 MADISON, WI. 53703



CONSULTANTS:

C STRUCTURAL/CIVIL ENGINEER:  
 GRAEF  
 5126 W. TERRACE DRIVE  
 MADISON, WI 53718  
 P. 604.242.1550

MEP ENGINEER:  
 CDA  
 46 RIVERSIDE AVE.  
 WESTPORT, CT 06880  
 P. 203.299.0250

1	LANDUSE APPLICATION	07.12.18
#	REVISION / ISSUE	DATE

SEAL

THESE DOCUMENTS HAVE BEEN PREPARED BY ME OR UNDER MY CLOSE PERSONAL SUPERVISION, AND THEY COMPLY WITH ALL CITY REQUIREMENTS

SHEET TITLE:  
**OVERALL SITE PLAN**

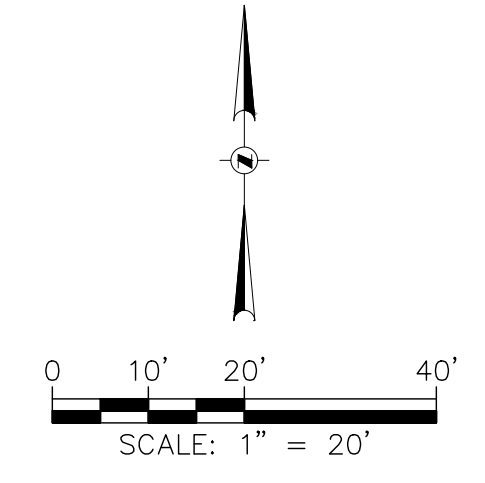
PROJECT # : #Pth  
**C300**

X:\MID2018\20180209\CAD\Site\dwg\00C\_300\_Overall\_Site\_Plan\_5029 7/12/2018 4:56 PM

NOTICE:  
 In accordance with Wisconsin statute 182.0175, damage to transmission facilities, excavator shall be solely responsible to provide advance notice to the designated "ONE CALL SYSTEM" not less than three working days prior to commencement of any excavation required to perform work contained on this drawing, and further, excavator shall comply with all other requirements of this statute relative to excavator's work.

DISCLAIMER:  
 The underground utilities shown have been located from field survey information and existing drawings. The surveyor makes no guarantees that the underground utilities shown comprise all such utilities in the area, either in service or abandoned. The surveyor further does not warrant that the underground utilities shown are in the exact location indicated although he does certify that they are located as accurately as possible from information available. The surveyor has not physically located the underground utilities.

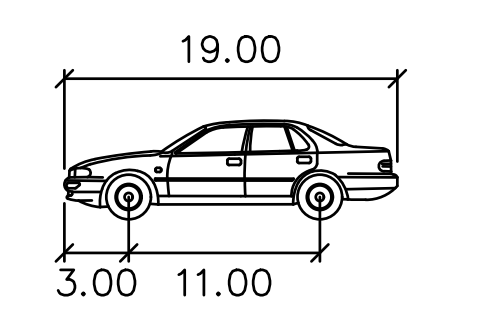
1 2 3 4 5



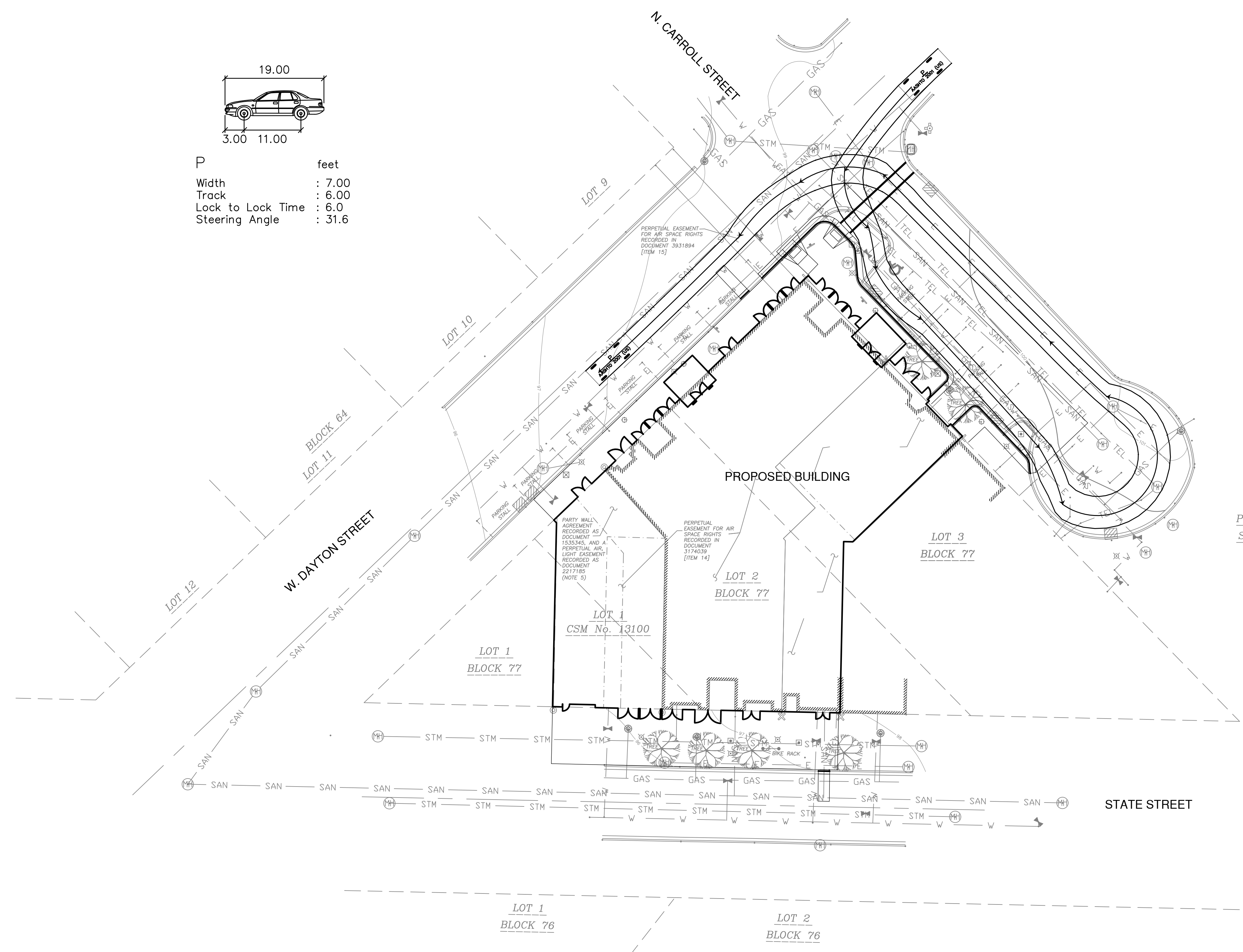
122 STATE ST.  
NEW HOTEL AND RESTAURANT  
122 STATE ST.  
MADISON, WI. 53703



CONSULTANTS:  
C STRUCTURAL/CIVIL ENGINEER:  
GRAEF  
5126 W. TERRACE DRIVE  
MADISON, WI 53718  
P. 604.242.1550  
MEP ENGINEER:  
CDA  
46 RIVERSIDE AVE.  
WESTPORT, CT 06880  
P. 203.299.0250



P feet  
Width : 7.00  
Track : 6.00  
Lock to Lock Time : 6.0  
Steering Angle : 31.6



1	LANDUSE APPLICATION	07.12.18
#	REVISION / ISSUE	DATE

SEAL  
  
THESE DOCUMENTS HAVE BEEN PREPARED BY ME OR UNDER MY CLOSE PERSONAL SUPERVISION, AND THEY COMPLY WITH ALL CITY REQUIREMENTS

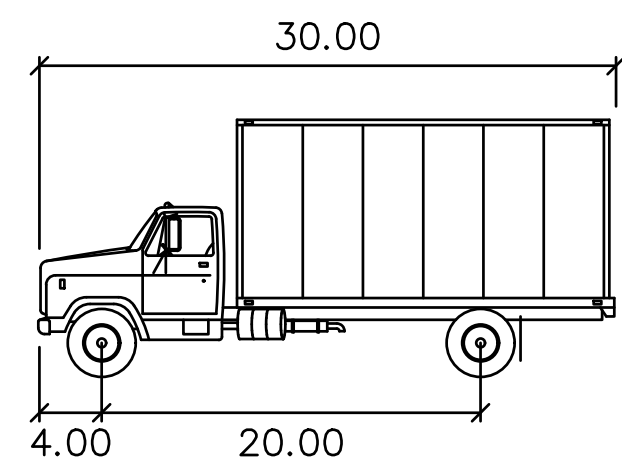
SHEET TITLE:  
AUTO TURN EXHIBIT - CARS

PROJECT # : #Pth  
**C301**

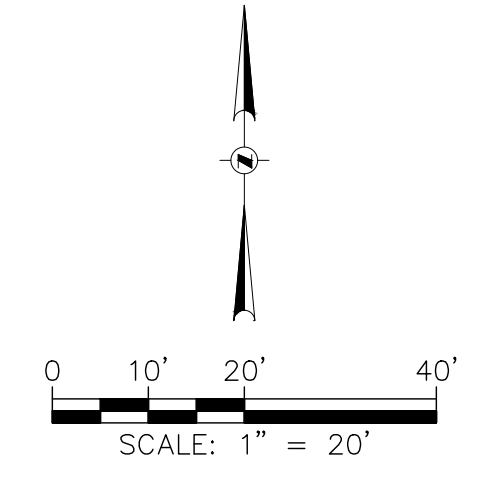
X:\WD\2016\20165029\CAD\Site\dwg\00C\_301\_AutoTurnExhibit\_Car\_5029 7/12/2018 4:56 PM

NOTICE:  
In accordance with Wisconsin statute 182.0175, damage to transmission facilities, excavator shall be solely responsible to provide advance notice to the designated "ONE CALL SYSTEM" not less than three working days prior to commencement of any excavation required to perform work contained on this drawing, and further, excavator shall comply with all other requirements of this statute relative to excavator's work.  
DISCLAIMER:  
The underground utilities shown have been located from field survey information and existing drawings. The surveyor makes no guarantees that the underground utilities shown comprise all such utilities in the area, either in service or abandoned. The surveyor further does not warrant that the underground utilities shown are in the exact location indicated although he does certify that they are located as accurately as possible from information available. The surveyor has not physically located the underground utilities.

1 2 3 4 5



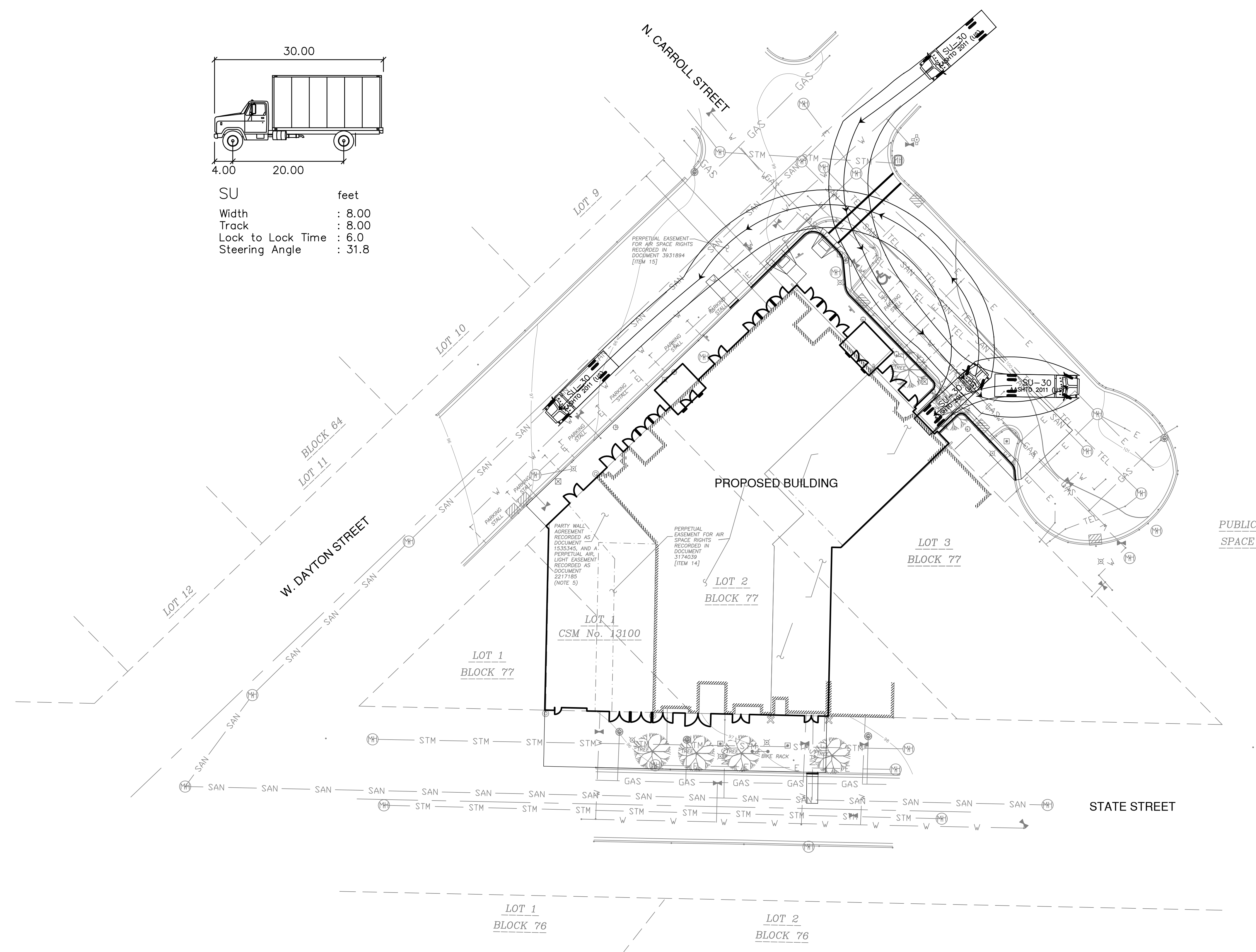
SU feet  
 Width : 8.00  
 Track : 8.00  
 Lock to Lock Time : 6.0  
 Steering Angle : 31.8



122 STATE ST.  
 NEW HOTEL AND RESTAURANT  
 122 STATE ST.  
 MADISON, WI. 53703



CONSULTANTS:  
 C STRUCTURAL/CIVIL ENGINEER:  
 GRAEF  
 5126 W. TERRACE DRIVE  
 MADISON, WI 53718  
 P. 604.242.1550  
 MEP ENGINEER:  
 CDA  
 46 RIVERSIDE AVE.  
 WESTPORT, CT 06880  
 P. 203.299.0250



1	LANDUSE APPLICATION	07.12.18
#	REVISION / ISSUE	DATE

SEAL

THESE DOCUMENTS HAVE BEEN PREPARED BY ME OR UNDER MY CLOSE PERSONAL SUPERVISION, AND THEY COMPLY WITH ALL CITY REQUIREMENTS

SHEET TITLE:  
 AUTO TURN EXHIBIT - TRUCK



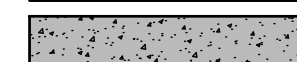
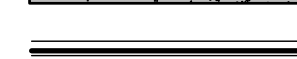



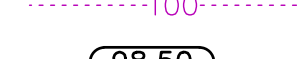
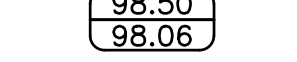
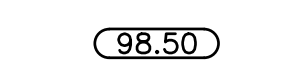

PROJECT # : #Pth  
**C302**

NOTICE:  
 In accordance with Wisconsin statute 182.0175, damage to transmission facilities, excavator shall be solely responsible to provide advance notice to the designated "ONE CALL SYSTEM" not less than three working days prior to commencement of any excavation required to perform work contained on this drawing, and further, excavator shall comply with all other requirements of this statute relative to excavator's work.

DISCLAIMER:  
 The underground utilities shown have been located from field survey information and existing drawings. The surveyor makes no guarantees that the underground utilities shown comprise all such utilities in the area, either in service or abandoned. The surveyor further does not warrant that the underground utilities shown are in the exact location indicated although he does certify that they are located as accurately as possible from information available. The surveyor has not physically located the underground utilities.

X:\MID\2016\20165029\CAD\Site\dwg\001C\_302\_AutoTurnExhibit\_Truck\_5029 7/12/2018 4:56 PM

**LEGEND**

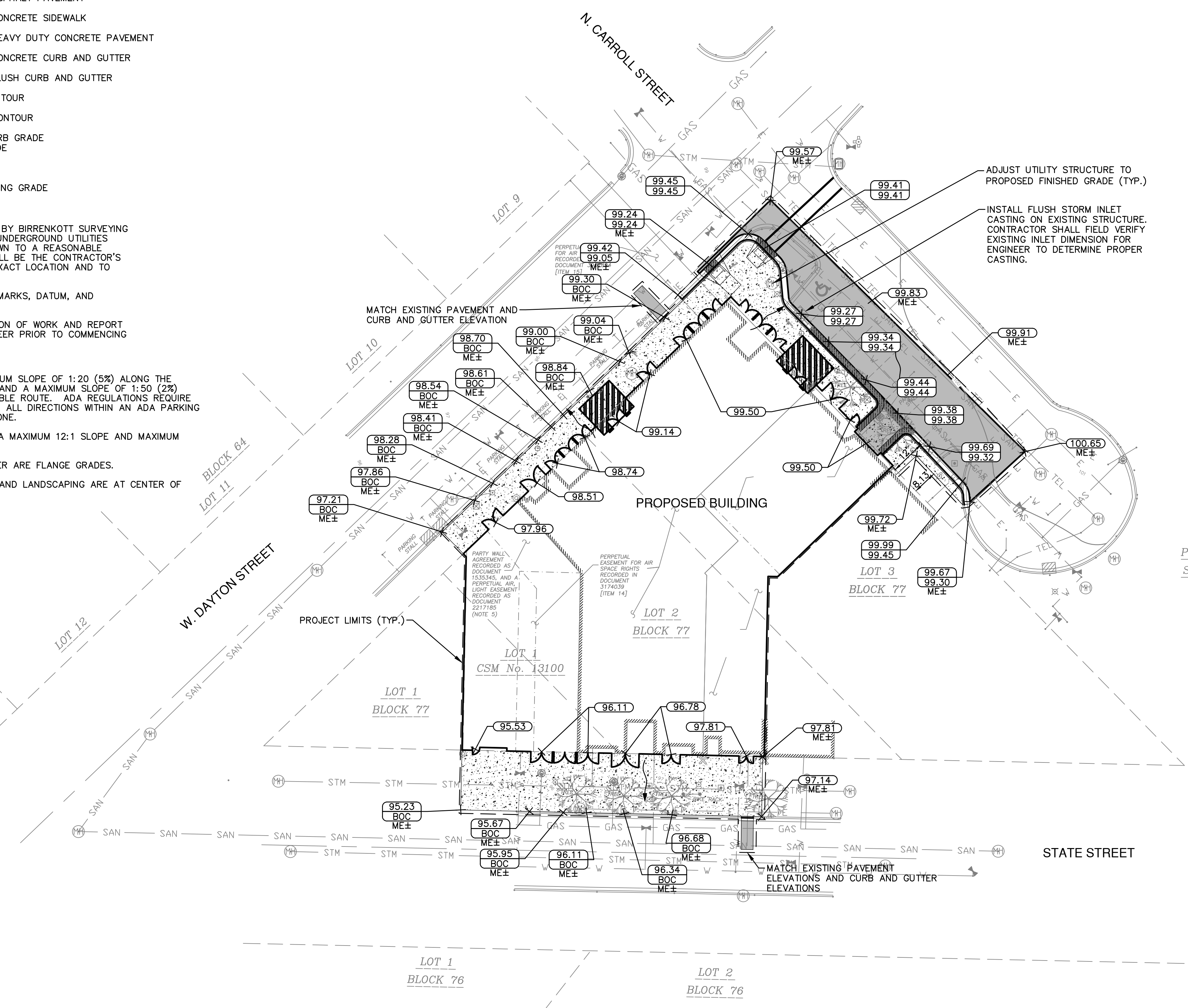
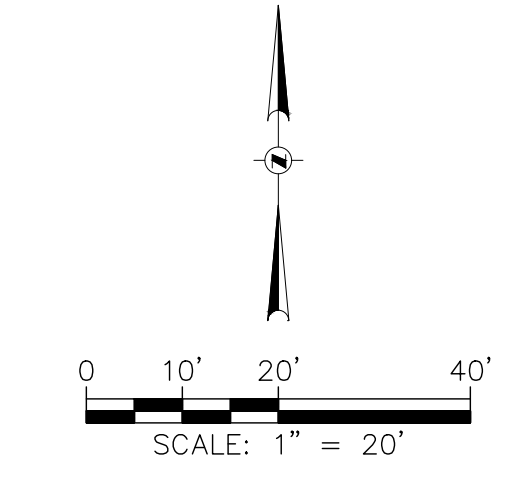
-  -PROPOSED ASPHALT PAVEMENT
-  -PROPOSED CONCRETE SIDEWALK
-  -PROPOSED HEAVY DUTY CONCRETE PAVEMENT
-  -PROPOSED CONCRETE CURB AND GUTTER
-  -PROPOSED FLUSH CURB AND GUTTER
-  -EXISTING CONTOUR
-  -PROPOSED CONTOUR
-  -BACK OF CURB GRADE
-  -FLANGE GRADE
-  -SPOT GRADE
-  -MATCH EXISTING GRADE

**GENERAL NOTES**

1. THE BASE SURVEY WAS PREPARED BY BIRRENKOTT SURVEYING INC. ON OCTOBER 21, 2015. ALL UNDERGROUND UTILITIES AND STRUCTURES HAVE BEEN SHOWN TO A REASONABLE DEGREE OF ACCURACY AND IT SHALL BE THE CONTRACTOR'S RESPONSIBILITY TO VERIFY THEIR EXACT LOCATION AND TO AVOID DAMAGE THERETO.
2. REFER TO SHEET C100 FOR BENCHMARKS, DATUM, AND TOPOGRAPHIC ELEMENTS.
3. CONTRACTOR SHALL VERIFY LOCATION OF WORK AND REPORT ANY DISCREPANCIES TO THE ENGINEER PRIOR TO COMMENCING WORK.

**GRADING NOTES**

1. ADA REGULATIONS REQUIRE A MAXIMUM SLOPE OF 1:20 (5%) ALONG THE LENGTH OF THE ACCESSIBLE ROUTE AND A MAXIMUM SLOPE OF 1:50 (2%) ACROSS THE WIDTH OF THE ACCESSIBLE ROUTE. ADA REGULATIONS REQUIRE A MAXIMUM SLOPE OF 1:50 (2%) IN ALL DIRECTIONS WITHIN AN ADA PARKING STALL AND ADJACENT UNLOADING ZONE.
2. ALL HANDICAP RAMPS SHALL HAVE A MAXIMUM 12:1 SLOPE AND MAXIMUM LENGTH OF 6 FEET.
3. RIM ELEVATIONS IN CURB AND GUTTER ARE FLANGE GRADES.
4. RIM ELEVATIONS WITHIN PAVEMENTS AND LANDSCAPING ARE AT CENTER OF STRUCTURE.



**122 STATE ST.**  
NEW HOTEL AND RESTAURANT

122 STATE ST.  
MADISON, WI. 53703



CONSULTANTS:

STRUCTURAL/CIVIL ENGINEER:  
GRAEF  
5126 W. TERRACE DRIVE  
MADISON, WI 53718  
P. 604.242.1550

MEP ENGINEER:  
CDA  
46 RIVERSIDE AVE.  
WESTPORT, CT 06880  
P. 203.299.0250

1	LANDUSE APPLICATION	07.12.18
#	REVISION / ISSUE	DATE

SEAL

THESE DOCUMENTS HAVE BEEN PREPARED BY ME OR UNDER MY CLOSE PERSONAL SUPERVISION, AND THEY COMPLY WITH ALL CITY REQUIREMENTS

SHEET TITLE:  
**SITE GRADING PLAN**

PROJECT # : #P11  
**C400**

X:\WD\2016\20165029\CAD\Site\dwg\00C\_400\_Site\_Grading\_Plan\_5029 7/12/2018 4:56 PM

NOTICE:  
In accordance with Wisconsin statute 182.0175, damage to transmission facilities, excavator shall be solely responsible to provide advance notice to the designated "ONE CALL SYSTEM" not less than three working days prior to commencement of any excavation required to perform work contained on this drawing, and further, excavator shall comply with all other requirements of this statute relative to excavator's work.

DISCLAIMER:  
The underground utilities shown have been located from field survey information and existing drawings. The surveyor makes no guarantees that the underground utilities shown comprise all such utilities in the area, either in service or abandoned. The surveyor further does not warrant that the underground utilities shown are in the exact location indicated although he does certify that they are located as accurately as possible from information available. The surveyor has not physically located the underground utilities.

**GENERAL NOTES**

1. THE BASE SURVEY WAS PREPARED BY BIRRENKOTT SURVEYING INC. ON OCTOBER 21, 2015. ALL UNDERGROUND UTILITIES AND STRUCTURES HAVE BEEN SHOWN TO A REASONABLE DEGREE OF ACCURACY AND IT SHALL BE THE CONTRACTOR'S RESPONSIBILITY TO VERIFY THEIR EXACT LOCATION AND TO AVOID DAMAGE THERETO.
2. REFER TO SHEET C100 FOR BENCHMARKS, DATUM, AND TOPOGRAPHIC ELEMENTS.
3. CONTRACTOR SHALL VERIFY LOCATION OF WORK AND REPORT ANY DISCREPANCIES TO THE ENGINEER PRIOR TO COMMENCING WORK.

**UTILITY NOTES**

1. CONTRACTOR SHALL VERIFY ELEVATION OF EXISTING INVERTS PRIOR TO INSTALLATION OF PROPOSED UTILITIES.
2. BUILDING LATERALS SHALL BE CONSTRUCTED IN ACCORDANCE WITH LOCAL AND STATE PLUMBING CODES. SITE UTILITY CONTRACTOR SHALL STUB LATERAL TO 5 FEET OUTSIDE BUILDING. SEE INTERIOR PLUMBING PLANS FOR CONTINUATION OF PIPING INTO BUILDING BY BUILDING PLUMBING CONTRACTOR.
3. GENERAL CONTRACTOR SHALL COORDINATE WITH LOCAL GAS, TELEPHONE, AND ELECTRICAL UTILITIES FOR EXACT LOCATION, SIZE AND DEPTH OF EXISTING AND NEW SERVICE. CONTRACTOR SHALL COORDINATE ANY MODIFICATIONS WITH UTILITIES PRIOR TO STARTING CONSTRUCTION.
4. SANITARY SEWER SHALL BE PVC, ASTM D3034, SDR 35 UNLESS INDICATED OTHERWISE.
5. WATER MAIN SHALL BE AWWA C900, CLASS 150, DR-18 PVC UNLESS INDICATED OTHERWISE.
6. BUILDING ROOF DRAINS SHALL BE SDR-35, ASTM D3034, PVC, UNLESS OTHERWISE NOTED.
7. RIM ELEVATIONS IN CURB AND GUTTER ARE FLANGE GRADES.
8. PIPE LENGTHS AND INVERTS ARE TO CENTER OF STRUCTURES.
9. CRUSHED STONE BACKFILL SHALL BE USED UNDER AND WITHIN 5' OF ALL PAVED AREAS.
10. CONTRACTOR SHALL MAINTAIN STORM SEWER DRAINAGE DURING CONSTRUCTION BY MEANS AND METHODS OF THE CONTRACTOR.
11. ALL CANOPY STORM SEWER DRAINS SHALL BE CONNECTED TO EXISTING STORM SEWER SYSTEM.

**LEGEND**

- STM— — — — — PROPOSED STORM SEWER
- SAN— — — — — PROPOSED SANITARY SEWER
- W— — — — — PROPOSED WATER MAIN
- E— — — — — PROPOSED ELECTRICAL
- - - - - CASE - - - - - PROPOSED UTILITY EASEMENT
- - - - - - PROPOSED MANHOLE
- - - - - - PROPOSED CATCH BASIN
- ⊙ - - - - - PROPOSED GATE VALVE
- ⊕ - - - - - PROPOSED HYDRANT
- ⊔ - - - - - PROPOSED UTILITY PLUG

CONNECT PROPOSED WATER SERVICE TO EXISTING WATER MAIN WITH A CUT IN CONNECTION. CONTRACTOR TO FIELD VERIFY EXISTING WATER MAIN ELEVATIONS AND COORDINATE WITH THE CITY OF MADISON FOR ALL SHUT DOWN AND CONNECTIONS FOR PROPOSED WATER LATERAL

INSTALL FLUSH STORM INLET CASTING ON EXISTING STRUCTURE. CONTRACTOR SHALL FIELD VERIFY EXISTING INLET DIMENSION FOR ENGINEER TO DETERMINE PROPER CASTING.

CONNECT PROPOSED STORM SEWER LATERAL TO EXISTING STORM SEWER MAIN WITH CORE CONNECTION I.E. 95.67

PROPOSED 8" STORM SEWER LATERAL @ S.=0.0050'/'

EXISTING STORM SEWER CASTING TO BE ADJUSTED PER SHEET C400

PROPOSED WATER SERVICE LATERAL

WATER SERVICE BUILDING LATERAL CONNECTION

STORM SEWER BUILDING LATERAL CONNECTION I.E. 95.72

PROPOSED BUILDING

LOT 2  
BLOCK 77

STORM SEWER BUILDING LATERAL CONNECTION I.E. 91.24

SANITARY SEWER BUILDING LATERAL CONNECTION I.E. 83.43

PROPOSED 8" STORM SEWER LATERAL @ S.=0.0050'/'

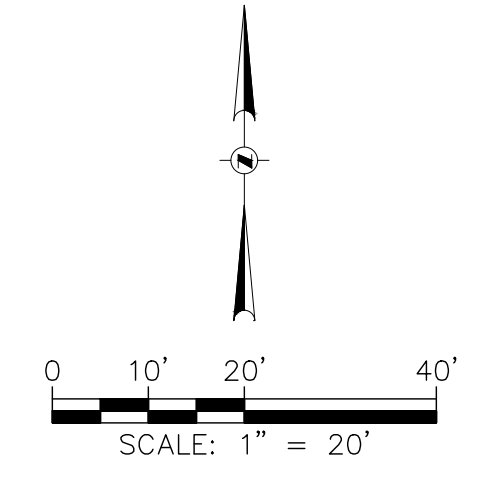
PROPOSED 8" SANITARY SEWER LATERAL @ S.=0.0104'/'

CONNECT PROPOSED STORM SEWER LATERAL TO EXISTING STORM SEWER MAIN WITH CORE CONNECTION I.E. 91.20

CONNECT PROPOSED SANITARY SEWER LATERAL TO EXISTING SANITARY SEWER MAIN WITH WYE CONNECTION I.E. 83.17

LOT 1  
BLOCK 76

LOT 2  
BLOCK 76



122 STATE ST.  
NEW HOTEL AND RESTAURANT  
122 STATE ST.  
MADISON, WI. 53703



CONSULTANTS:  
C STRUCTURAL/CIVIL ENGINEER:  
GRAEF  
5126 W. TERRACE DRIVE  
MADISON, WI 53718  
P. 604.242.1550  
MEP ENGINEER:  
CDA  
46 RIVERSIDE AVE.  
WESTPORT, CT 06880  
P. 203.299.0250

1	LANDUSE APPLICATION	07.12.18
#	REVISION / ISSUE	DATE

SEAL

THESE DOCUMENTS HAVE BEEN PREPARED BY ME OR UNDER MY CLOSE PERSONAL SUPERVISION, AND THEY COMPLY WITH ALL CITY REQUIREMENTS

SHEET TITLE:  
SITE UTILITY PLAN

PROJECT #:#Pth  
**C500**

X:\MD\2018\20180209\CAD\Site\dwg\00C\_500\_Site\_Utility\_Plan\_5029 7/12/2018 4:56 PM

NOTICE:  
In accordance with Wisconsin statute 182.0175, damage to transmission facilities, excavator shall be solely responsible to provide advance notice to the designated "ONE CALL SYSTEM" not less than three working days prior to commencement of any excavation required to perform work contained on this drawing, and further, excavator shall comply with all other requirements of this statute relative to excavator's work.

DISCLAIMER:  
The underground utilities shown have been located from field survey information and existing drawings. The surveyor makes no guarantees that the underground utilities shown comprise all such utilities in the area, either in service or abandoned. The surveyor further does not warrant that the underground utilities shown are in the exact location indicated although he does certify that they are located as accurately as possible from information available. The surveyor has not physically located the underground utilities.

**LEGEND**

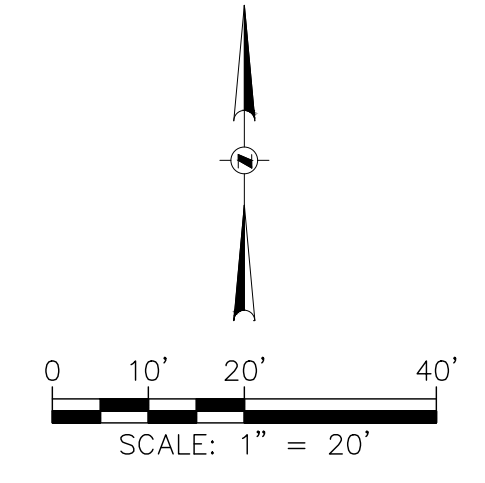
— W — — — — — PROPOSED WATER SERVICE LATERAL

**GENERAL NOTES**

1. THE BASE SURVEY WAS PREPARED BY BIRRENKOTT SURVEYING INC. ON OCTOBER 21, 2015. ALL UNDERGROUND UTILITIES AND STRUCTURES HAVE BEEN SHOWN TO A REASONABLE DEGREE OF ACCURACY AND IT SHALL BE THE CONTRACTOR'S RESPONSIBILITY TO VERIFY THEIR EXACT LOCATION AND TO AVOID DAMAGE THERETO.
2. REFER TO SHEET C100 FOR BENCHMARKS, DATUM, AND TOPOGRAPHIC ELEMENTS.
3. CONTRACTOR SHALL VERIFY LOCATION OF WORK AND REPORT ANY DISCREPANCIES TO THE ENGINEER PRIOR TO COMMENCING WORK.

**FIRE ACCESS PLAN NOTES**

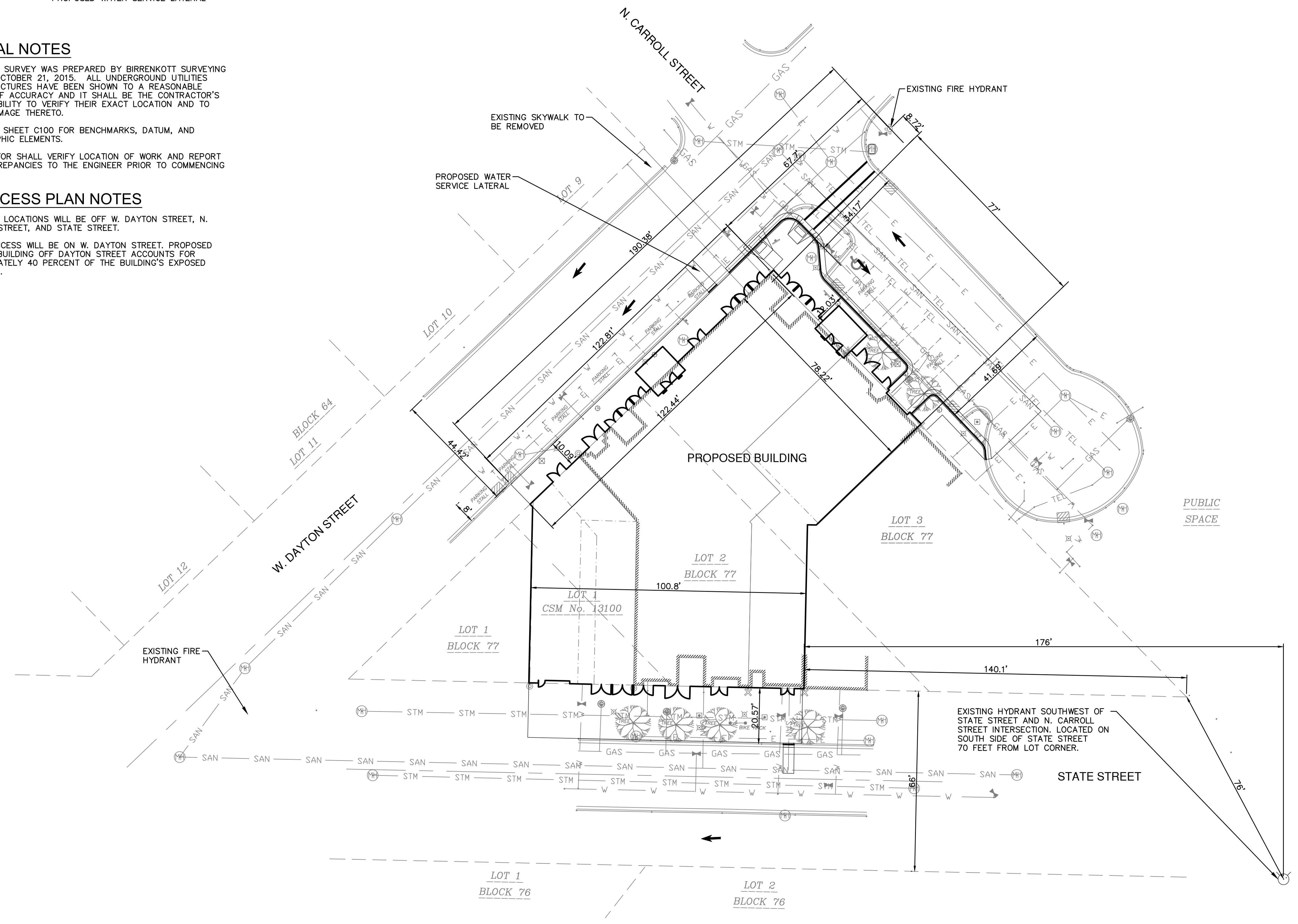
1. FIRE LANE LOCATIONS WILL BE OFF W. DAYTON STREET, N. CARROLL STREET, AND STATE STREET.
2. AERIAL ACCESS WILL BE ON W. DAYTON STREET. PROPOSED FACE OF BUILDING OFF DAYTON STREET ACCOUNTS FOR APPROXIMATELY 40 PERCENT OF THE BUILDING'S EXPOSED PERIMETER.



**122 STATE ST.**  
NEW HOTEL AND RESTAURANT  
  
122 STATE ST.  
MADISON, WI. 53703



CONSULTANTS:  
  
C STRUCTURAL/CIVIL ENGINEER:  
**GRAEF**  
5126 W. TERRACE DRIVE  
MADISON, WI 53718  
P. 604.242.1550  
  
MEP ENGINEER:  
**CDA**  
46 RIVERSIDE AVE.  
WESTPORT, CT 06880  
P. 203.299.0250



1	LANDUSE APPLICATION	07.12.18
#	REVISION / ISSUE	DATE

SEAL

THESE DOCUMENTS HAVE BEEN PREPARED BY ME OR UNDER MY CLOSE PERSONAL SUPERVISION, AND THEY COMPLY WITH ALL CITY REQUIREMENTS

SHEET TITLE:  
**FIRE ACCESS PLAN**

PROJECT # : #Pth  
**C600**

X:\MID\2016\20165029\CAD\Site\dwg\001C\_600\_Fire\_Access\_Plan\_5029 7/12/2018 4:56 PM

NOTICE:  
In accordance with Wisconsin statute 182.0175, damage to transmission facilities, excavator shall be solely responsible to provide advance notice to the designated "ONE CALL SYSTEM" not less than three working days prior to commencement of any excavation required to perform work contained on this drawing, and further, excavator shall comply with all other requirements of this statute relative to excavator's work.

DISCLAIMER:  
The underground utilities shown have been located from field survey information and existing drawings. The surveyor makes no guarantees that the underground utilities shown comprise all such utilities in the area, either in service or abandoned. The surveyor further does not warrant that the underground utilities shown are in the exact location indicated although he does certify that they are located as accurately as possible from information available. The surveyor has not physically located the underground utilities.