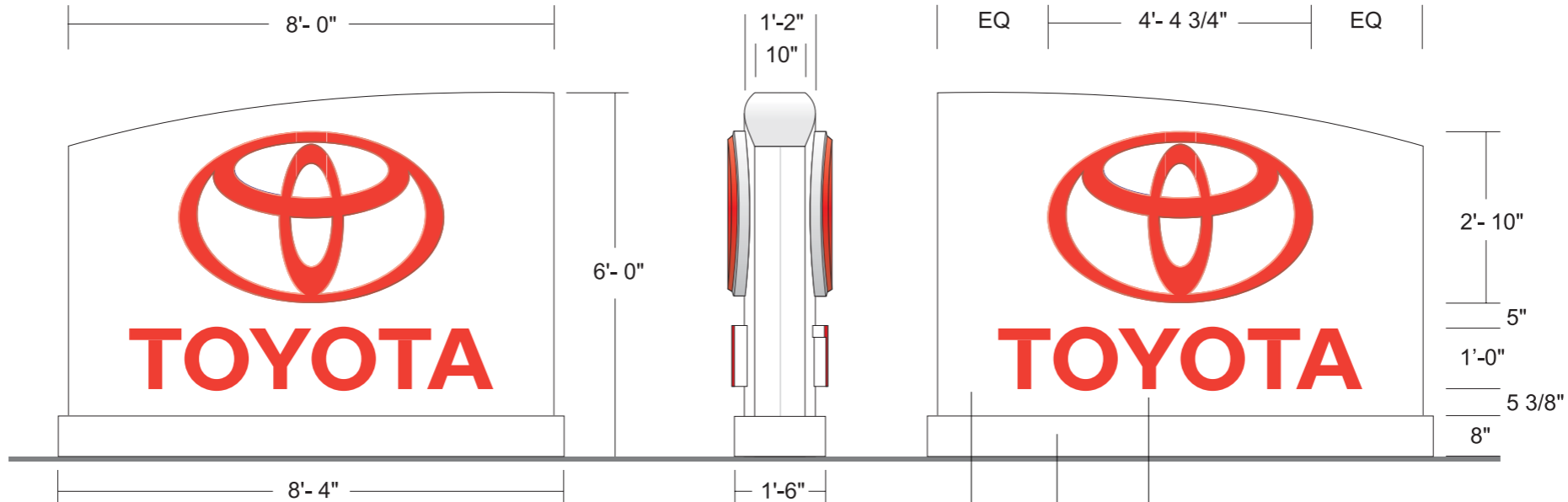


M86 - D/F Illuminated Monument

TOYOTA MARK:

PANNED MOLDED LOGO: TOY-3
(2'-10"H x 4'-4 3/4"W) 9.77 SQ.FT.
3/16" 2447 WHITE ACRYLIC FACE
3M 3630-73 RED VINYL APPLIED FIRST SURFACE
ALUMINUM 0.040 RETURNS & F-TRIM RETAINERS
PAINTED TOYOTA WHITE
ILLUMINATED WITH RED LED



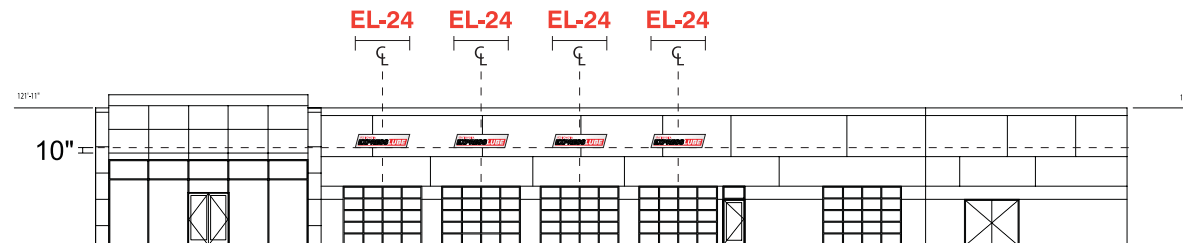
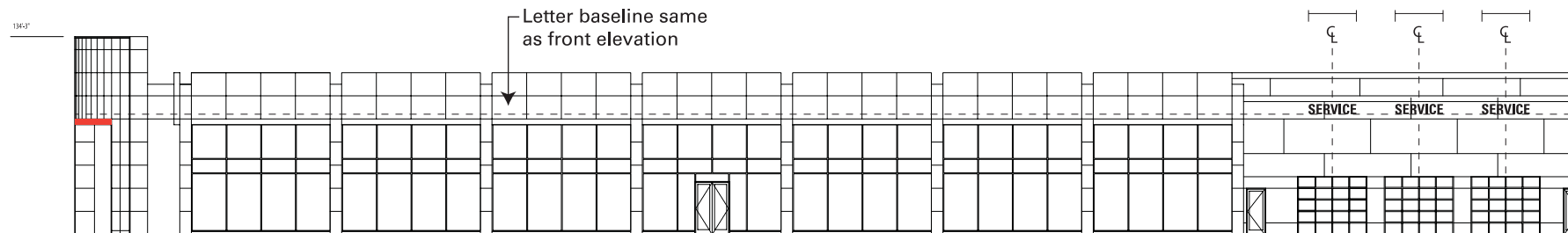
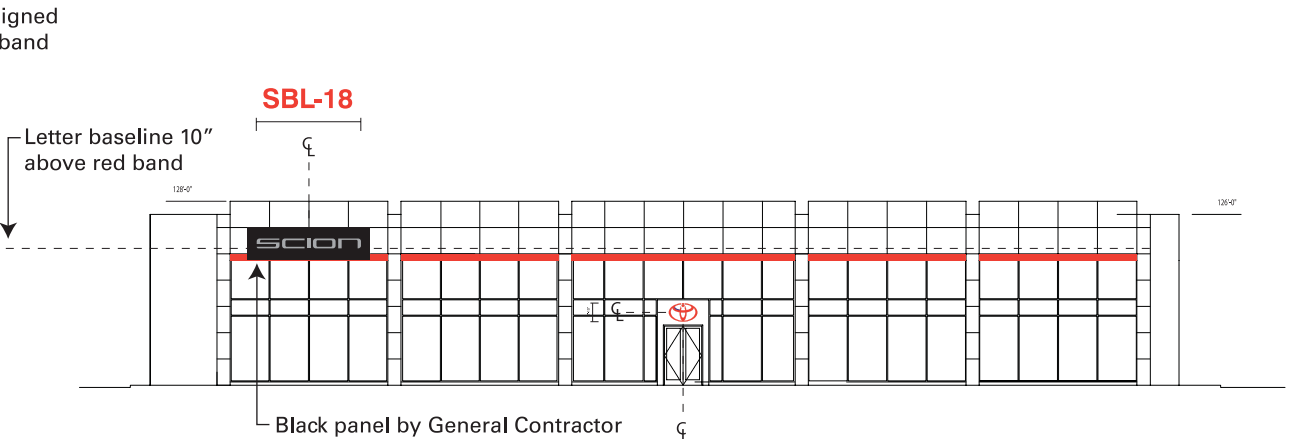
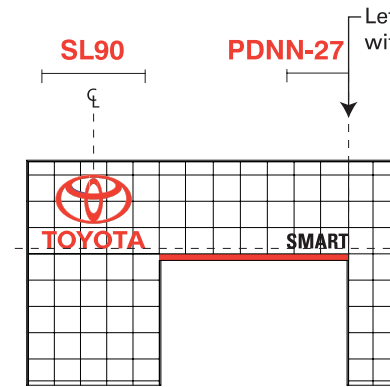
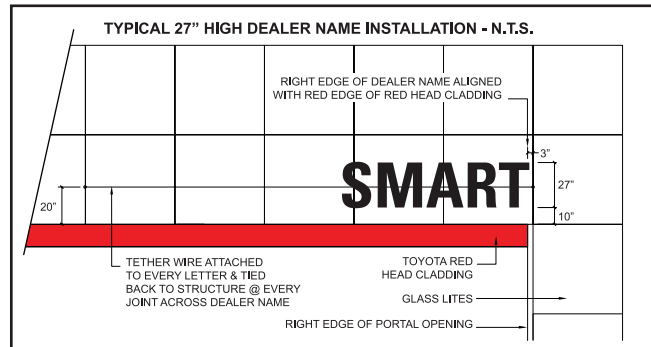
◀ STREET SIDE
NOTE: LOW EDGE OF MONUMENT TOWARDS STREET.
HIGH EDGE OF MONUMENT TOWARDS BUILDING.

TOYOTA:

INDIVIDUAL CHANNEL LETTERS (FLAT FACES)
(1'-0"H x 6'-0"W) 6.0 SQ.FT.
3/16" 2447 WHITE ACRYLIC FACES
3M 3630-73 RED VINYL APPLIED FIRST SURFACE
ALUMINUM 0.040 RETURNS & F-TRIM RETAINERS
PAINTED TOYOTA WHITE
ILLUMINATED WITH RED LED

SIGN CABINET & BASE COVER:

ALUMINUM PANEL PAINTED TOYOTA WHITE





Pattison Sign Group signs illuminated by Fluorescent, Neon and/or HID Lamps contain Mercury (HG). Dispose of these lamps according to Local, State, Provincial or Federal Laws.

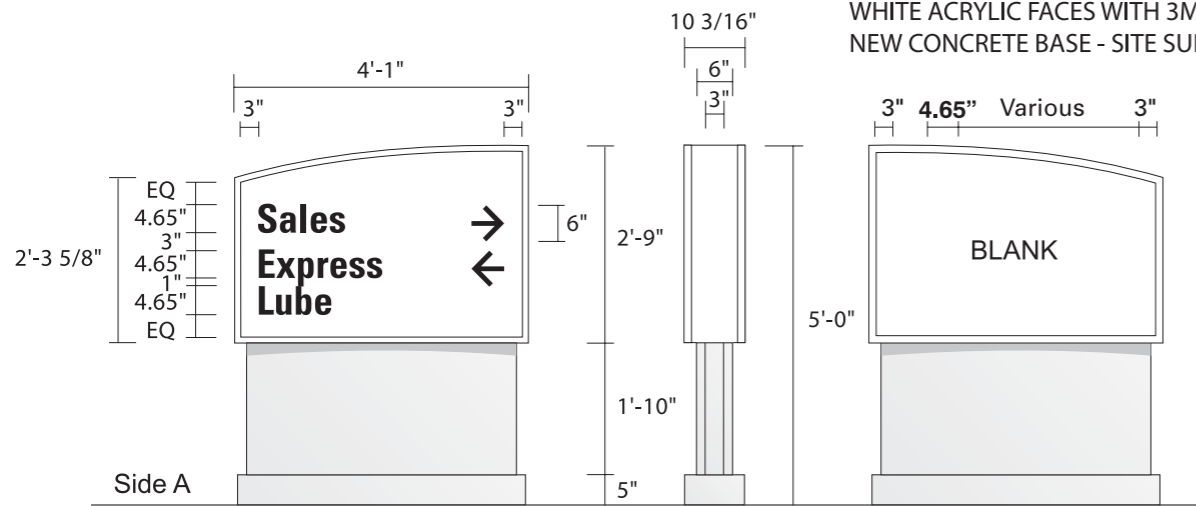
D45 SERIES - D/F NON-ILLUMINATED DIRECTIONAL SIGNS

SIGN CABINET PAINTED TOYOTA WHITE

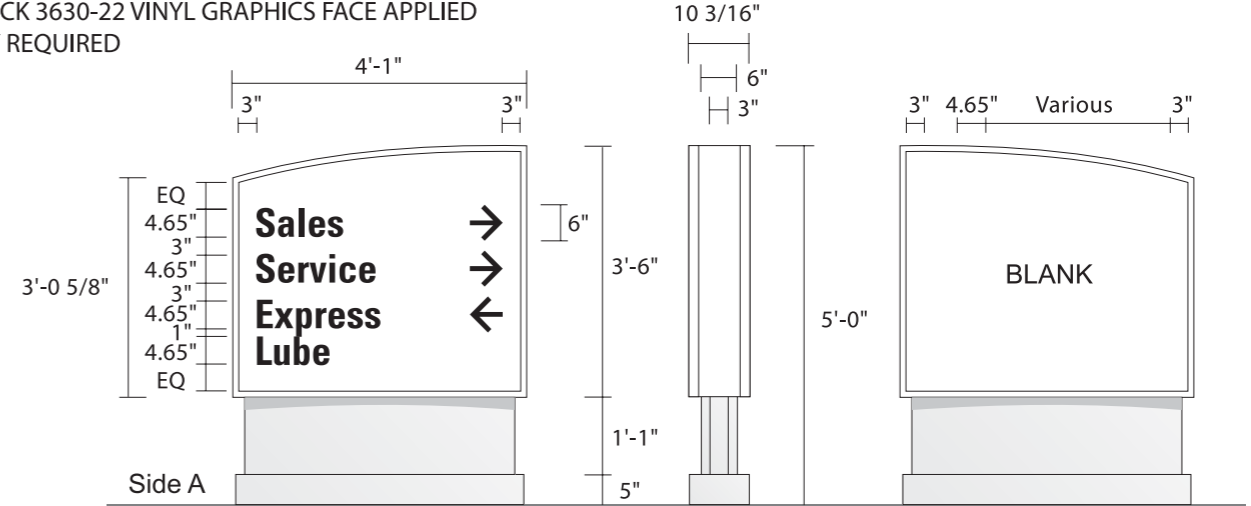
PEDESTAL & BASE COVER PAINTED GREY TO MATCH GF-838

WHITE ACRYLIC FACES WITH 3M BLACK 3630-22 VINYL GRAPHICS FACE APPLIED

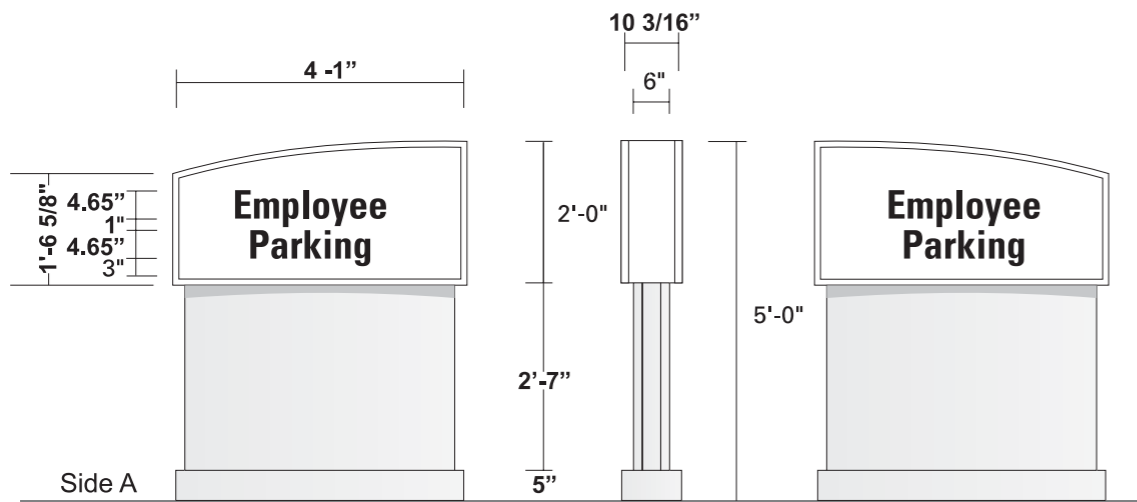
NEW CONCRETE BASE - SITE SURVEY REQUIRED



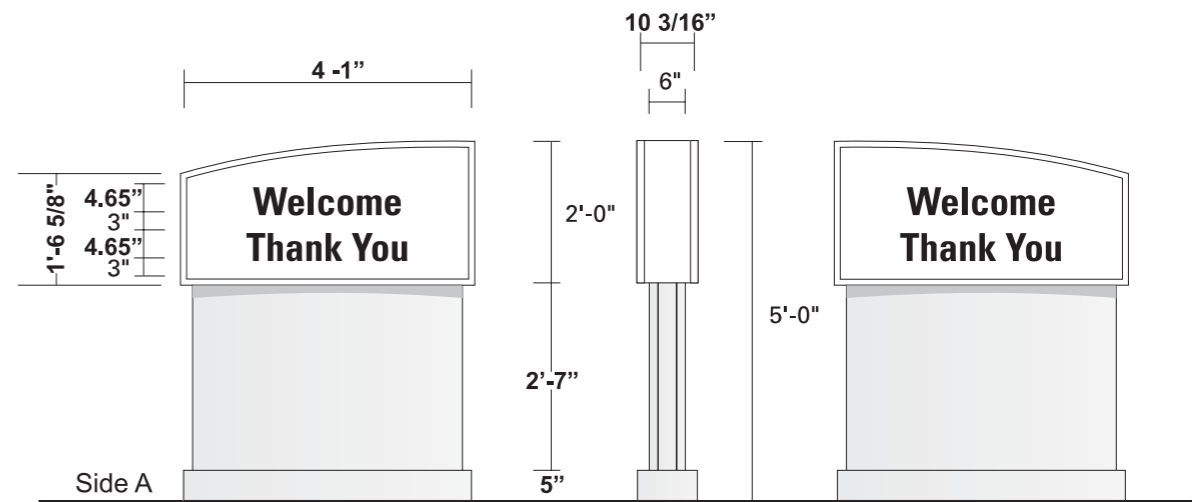
D45-3
D/F NON-ILLUMINATED DIRECTIONAL



D45-4
D/F NON-ILLUMINATED DIRECTIONAL



D45-2
D/F NON-ILLUMINATED DIRECTIONAL



D45-2
D/F NON-ILLUMINATED DIRECTIONAL



Pattison Sign Group signs illuminated by Fluorescent, Neon and/or HID Lamps contain Mercury (HG). Dispose of these lamps according to Local, State, Provincial or Federal Laws.

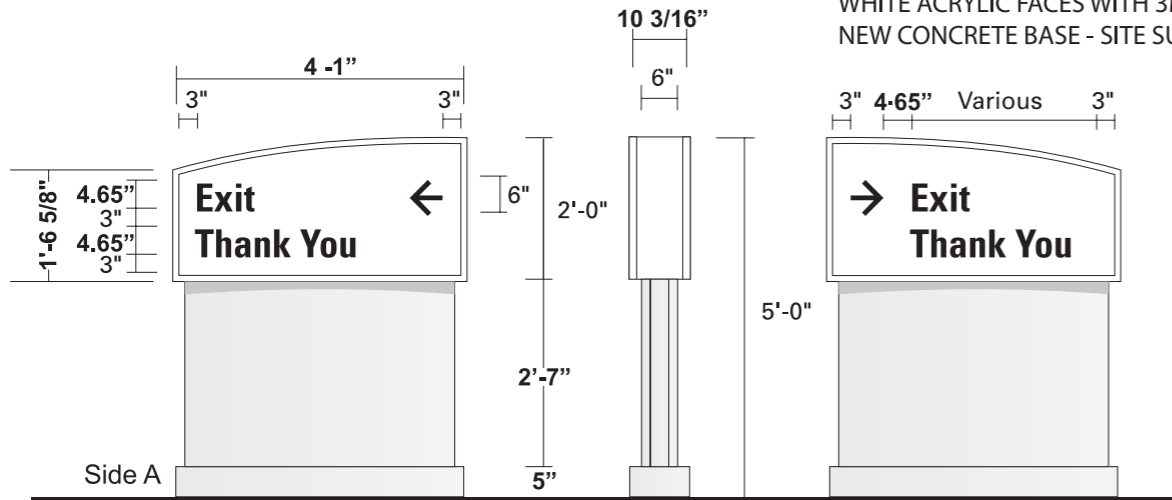
D45 SERIES - D/F NON-ILLUMINATED DIRECTIONAL SIGNS

SIGN CABINET PAINTED TOYOTA WHITE

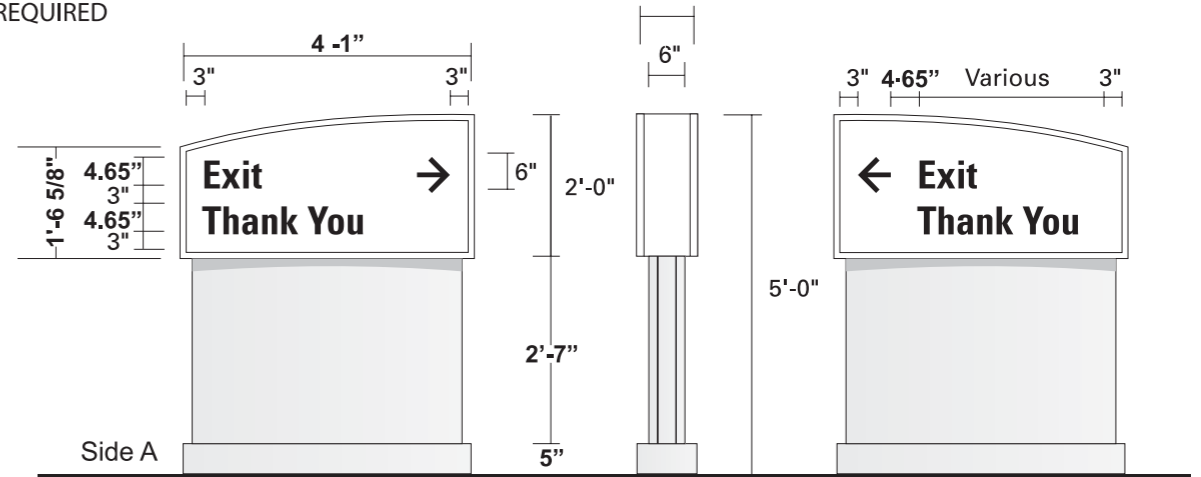
PEDESTAL & BASE COVER PAINTED GREY TO MATCH GF-838

WHITE ACRYLIC FACES WITH 3M BLACK 3630-22 VINYL GRAPHICS FACE APPLIED

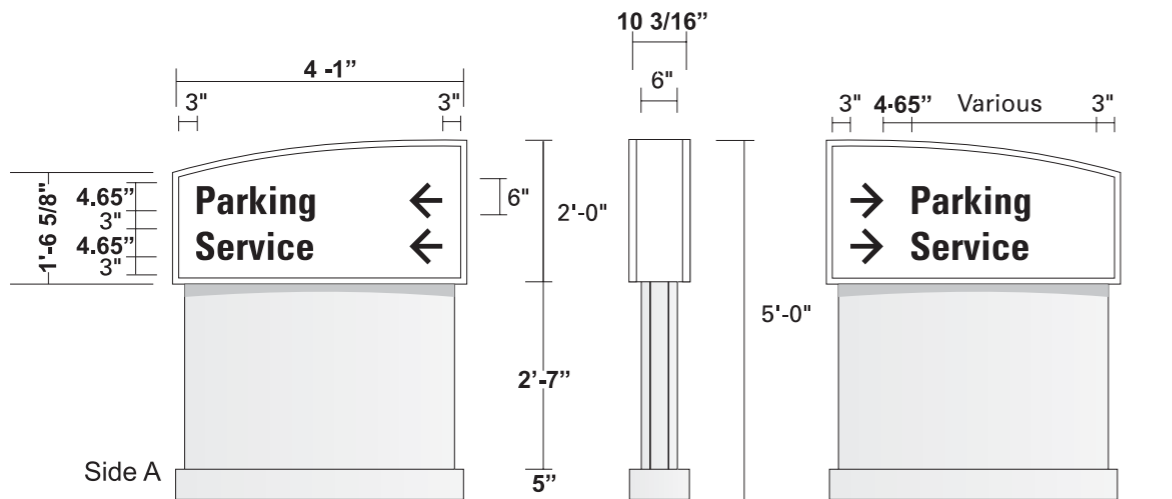
NEW CONCRETE BASE - SITE SURVEY REQUIRED



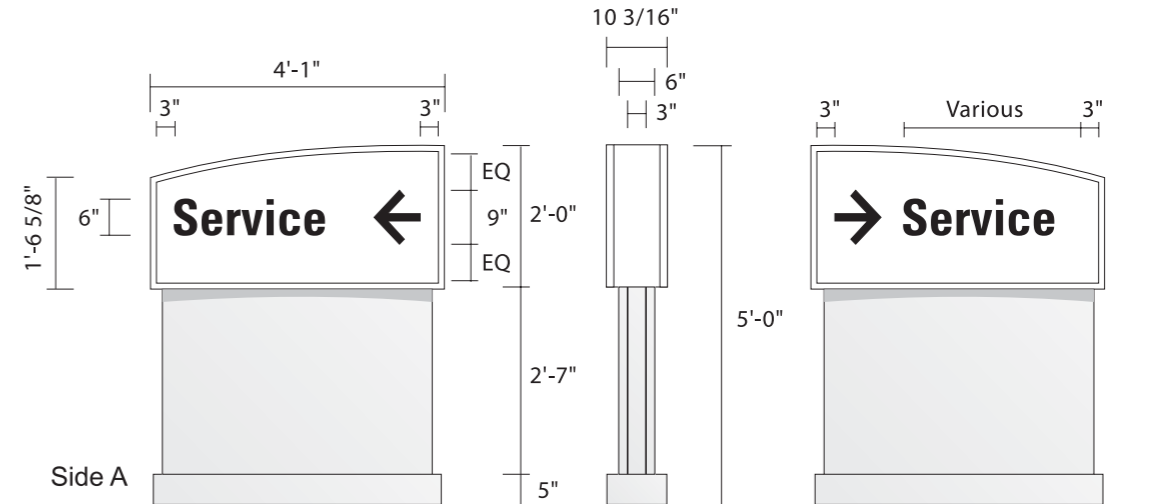
D45-2
D/F NON-ILLUMINATED DIRECTIONAL



D45-2
D/F NON-ILLUMINATED DIRECTIONAL



D45-2
D/F NON-ILLUMINATED DIRECTIONAL



D45-1
D/F NON-ILLUMINATED DIRECTIONAL



Pattison Sign Group signs illuminated by Fluorescent, Neon and/or HID Lamps contain Mercury (HG). Dispose of these lamps according to Local, State, Provincial or Federal Laws.

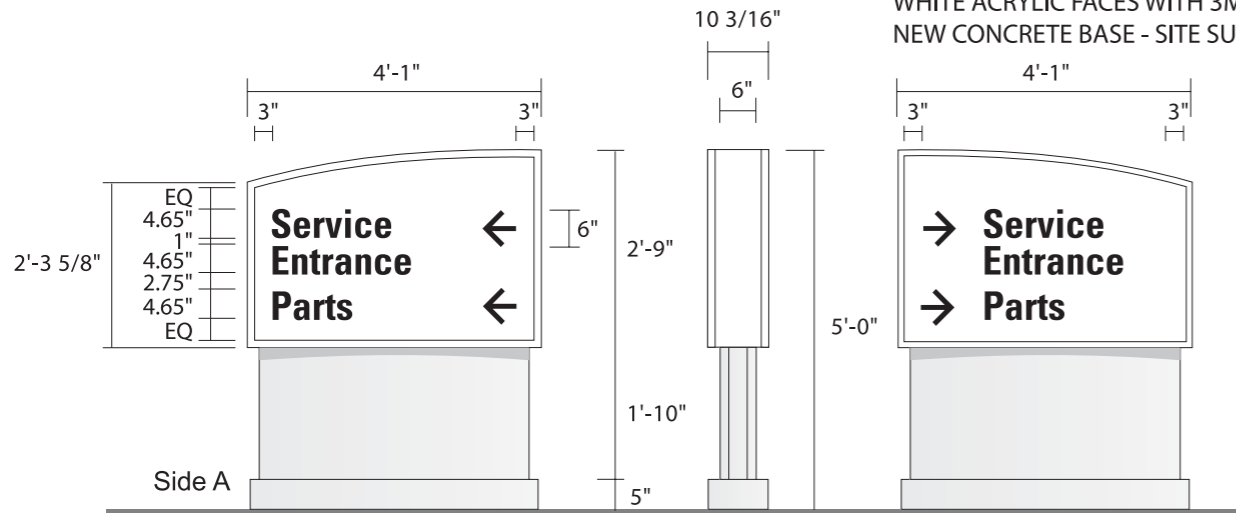
D45 SERIES - D/F NON-ILLUMINATED DIRECTIONAL SIGNS

SIGN CABINET PAINTED TOYOTA WHITE

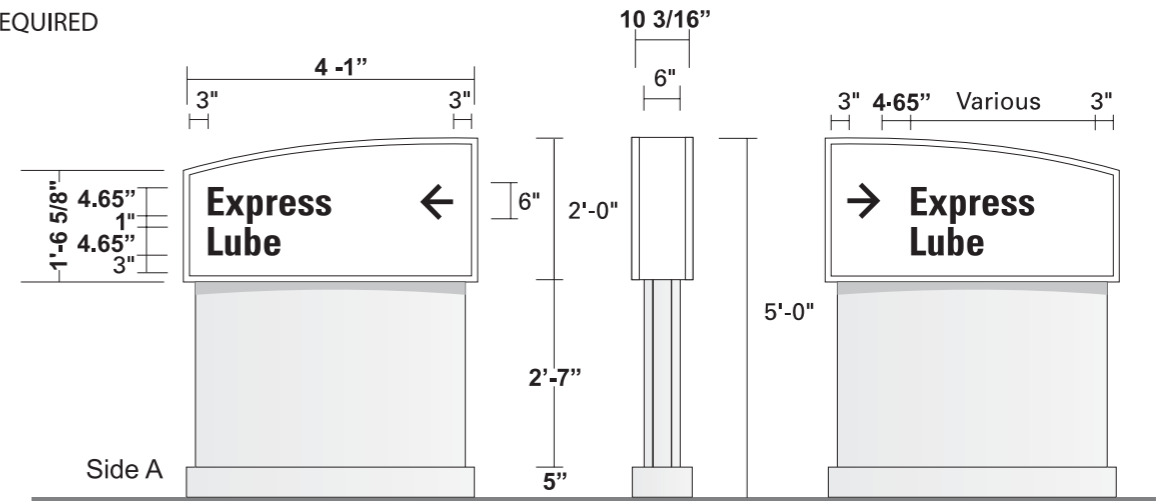
PEDESTAL & BASE COVER PAINTED GREY TO MATCH GF-838

WHITE ACRYLIC FACES WITH 3M BLACK 3630-22 VINYL GRAPHICS FACE APPLIED

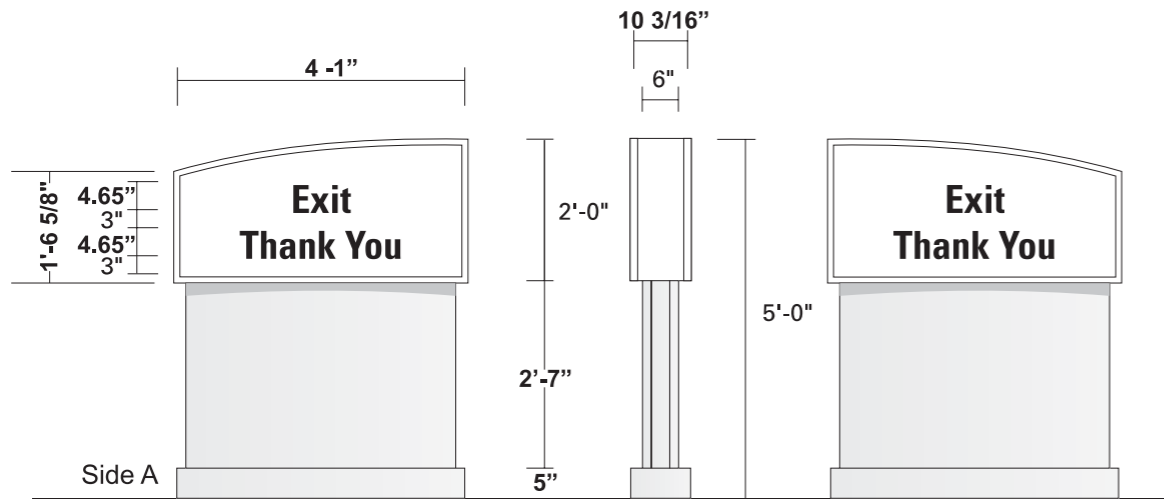
NEW CONCRETE BASE - SITE SURVEY REQUIRED



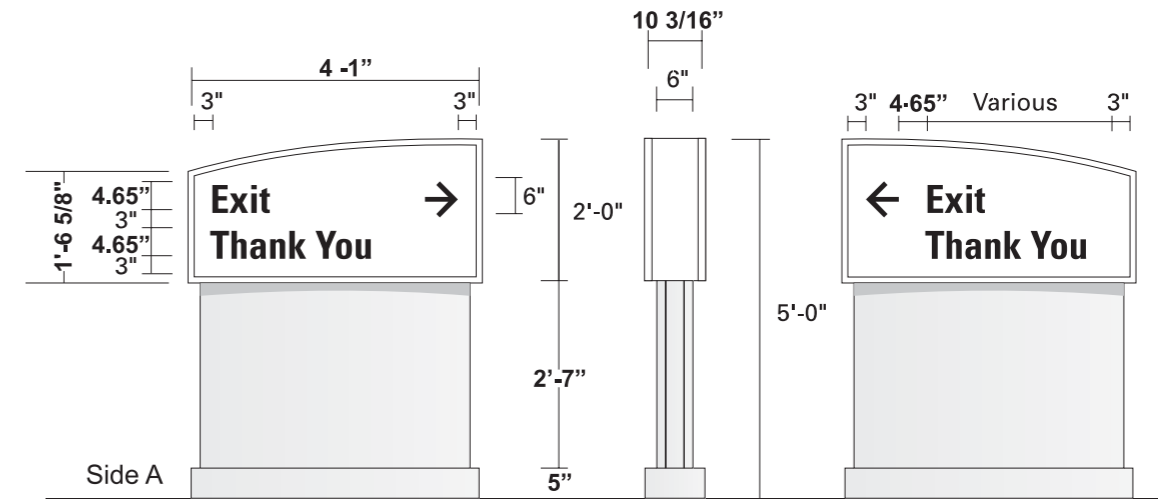
D45-3
D/F NON-ILLUMINATED DIRECTIONAL



D45-2
D/F NON-ILLUMINATED DIRECTIONAL

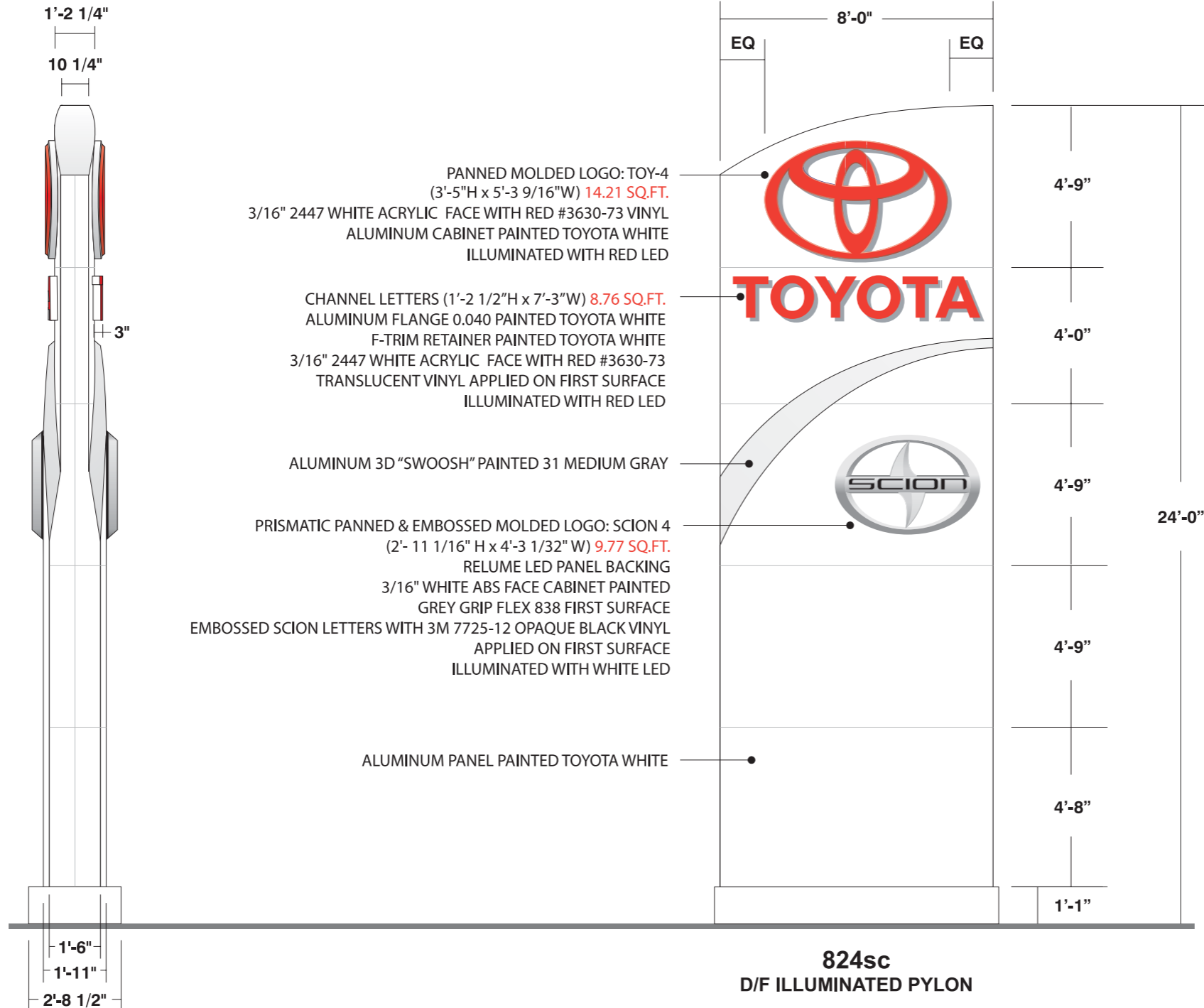


D45-2
D/F NON-ILLUMINATED DIRECTIONAL



D45-2
D/F NON-ILLUMINATED DIRECTIONAL

NOTE
SEE TECHNICAL DRAWINGS
FOR FABRICATION



555 Ellesmere Road
Toronto, Ontario, Canada M1R 4E8
Tel (416) 759-1111
Fax (416) 759-4965
Toll Free 1-800-268-6536
www.pattison.com

A Division of Jim Pattison Industries Ltd.

3-JAN-07 Date

M. Godard / A. Hollyoak Sales Rep

C. Calder Designer

1/4" = 1'-0" Scale

07 0009 Design No.

R1 24-MAY-07 Revision Note

Job No.

Customer Approval

Date

Note:

See technical drawings for fabrication

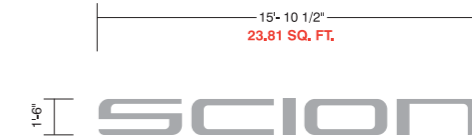
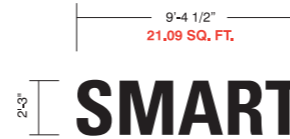
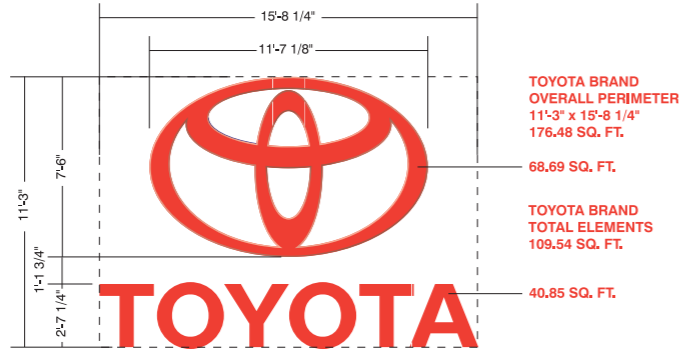
All rights reserved. No part of this drawing may be reproduced in any form without written permission from Pattison Sign Group.

It is agreed that the client is entirely responsible to install the concrete base as per Pattison Sign Group technical drawings or the equivalent. Where an existing base is used, the client agrees to check if the concrete base can support the sign as supplied by Pattison Sign Group. Pattison Sign Group will not accept any liability.

Voltage: 120volt Specify if different.



48007
SMART TOYOTA
5901 Odana Road
Madison, WI



ELECTRICAL REQUIREMENT

VOLTAGE: 120
AMPS: 3.0

Note: A step down transformer is required if voltage is higher than 120.

Circuit: As per local electrical code.

SL90
ILLUMINATED CHANNEL LETTERS & MOLDED LOGO

- LOGO EMBOSSED FACE WITH FLAT FACES FOR LETTERS
- ALUMINUM CABINETS & JEWELITE TRIM - RED
- 3/16" #2447 WHITE ACRYLIC FACES
- 3M RED VINYL #3630-73 APPLIED ON FIRST SURFACE
- ILLUMINATED WITH RED LED
- ELECTRICAL HOOK-UP SUPPLIED BY OTHERS



ELECTRICAL REQUIREMENT

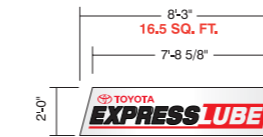
VOLTAGE: 120
AMPS: T.B.D.

Note: A step down transformer is required if voltage is higher than 120.

Circuit: As per local electrical code.

SI-21 (Quantity 3)
ILLUMINATED CHANNEL LETTERS

- ALUMINUM CABINETS BLACK
- F-TRIM RETAINERS BLACK
- 3/16" WHITE PIGMENTED ACRYLIC FACES #2447 WITH 3M BLACK PERFORATED VINYL 3635-222 APPLIED FIRST SURFACE
- ILLUMINATED WITH WHITE LED
- ELECTRICAL HOOK-UP SUPPLIED BY OTHERS



EL-24 (Quantity 4)
ILLUMINATED MOLDED FASCIA SIGN

ELECTRICAL REQUIREMENT

VOLTAGE: 120
AMPS: T.B.D.

Note: A step down transformer is required if voltage is higher than 120.

Circuit: As per local electrical code.

- CABINET PANFORMED 3/16" WHITE ABS W/CENTREX CAP PAINTED TOYOTA WHITE
- NON-ILLUMINATED WHITE CURVED FACE 3/4" PROJECTION MOLDED IN ONE SHOT WITH 3/16" WHITE (SG+)
- PAINTED OPAQUE TOYOTA WHITE ON FIRST SURFACE
- TOYOTA BRAND ILLUMINATED LETTERS RED VINYL 3M 3630-73
- "EXPRESS" ILLUMINATED LETTERS W/BLACK PERFORATED VINYL 3M 3635-222 APPLIED ON FIRST SURFACE / WHITE OPAQUE RETURNS
- "LUBE" ILLUMINATED DECOR WITH RED VINYL 3M 3630-73 APPLIED ON FIRST SURFACE / WHITE OPAQUE RETURNS
- WHITE LED ILLUMINATION / ELECTRICAL HOOK-UP SUPPLIED BY OTHERS

ELECTRICAL REQUIREMENT

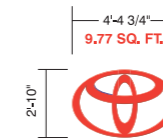
VOLTAGE: 120
AMPS: T.B.D.

Note: A step down transformer is required if voltage is higher than 120.

Circuit: As per local electrical code.

SBL-18
ILLUMINATED CHANNEL LETTERS

- FABRICATED AS PER APPROVED SPECIFICATIONS
- 3/16" #2447 WHITE ACRYLIC FACES (FLAT)
- PERFORATED VINYL TYPE B SCREEN PRINTED GF-838 APPLIED ON FIRST SURFACE
- 0.040 ALUMINUM LETTERS AND F-TRIM PAINTED GREY TO MATCH GF-838
- ILLUMINATED WITH WHITE LED
- BLACK PANEL SUPPLIED BY OTHERS



TOY-3NI
NON-ILLUMINATED TOYOTA ENTRANCE LOGO

- MOLDED ABS PAINTED TO MATCH 3M RED VINYL #3630-73