



# line<sup>™</sup> 1.5

## Application

io Lighting's line series 1.5 is approximately 1.5" in diameter. UL listed for wet locations, this LED-based linear floodlight produces luminous intensities for building facade and bridge accent illumination. Ideal for grazing, electrical feed "plug" connectors eliminate hardwire connections between fixtures, enabling ultimate flexibility for installation and replacement. Individual units may be placed end-to-end to create continuous rows without obvious shadows between fixtures. LEDs are similar to halogen light sources in that they are point sources that can reveal superior definition to textural surfaces and sparkle to reflective surfaces.

series 1.5 is a low voltage linear luminaire available in 18" lengths and may be daisy chained for continuous row mounted applications. Optional beam spreads along the perpendicular axis of the fixture include 10°, 45° and 65°. io ensures that each LED is provided thermal and electrical management properties in accordance with the LED manufacturers recommendations. Projected average rated life is 50,000 hours at 70% of lamp lumen output. Contact factory for IES LM-80 compliance. To ensure proper performance, interior architectural details should allow for ventilation and air flow around the fixture. Ambient temperature surrounding the fixture shall not exceed 120°F (48.9°C).

## Light Output

line series 1.5 is available with three lumen outputs for white light only. Red, green, blue and amber are available in high output only. All values below are initial lumens per foot. IES LM-79 format files may be obtained from the factory or downloaded from [www.io Lighting.com](http://www.io Lighting.com). Consult factory for High CRI options and availability.

	Standard Output	Mid Output	High Output
2700K White:	88 lms/ft	128 lms/ft	180 lms/ft
3000K White:	68 lms/ft	126 lms/ft	180 lms/ft
5000K White:	91 lms/ft	168 lms/ft	240 lms/ft

## Construction

The light weight, yet durable extruded aluminum housing provides recommended heat sink requirements for LEDs. Patented precision optic assembly is composed of a customized acrylic material that offers very high transmissivity, UV stability and excellent longevity. series 1.5 is UL listed for wet locations.

## Electrical

8'-0" 18 AWG, 300 volt rated power cords are supplied with plug connector. Injection molded end cap is designed to receive both the plug electrical connector and an interconnect for daisy chain. 24 volt 96 watt power supply will be provided as a standard if not specified otherwise. For detailed information regarding daisy chain limitations, remote distance limitations, power supply options, and dimming options consult the io website, the io catalog (pages 98-100) or an io representative.

## Power Consumption

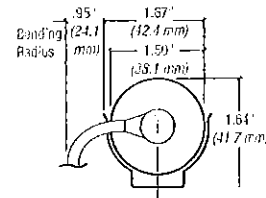
Standard Output: 2.92 w/ft Mid Output: 5.34 w/ft High Output: 7.62 w/ft

Power consumption does not include power supply losses.

## Finish

Anodized aluminum finish is standard. Custom finishes may be available upon request.

Dimensions



io line 1.5 3KH0

## lighting facts<sup>CM</sup>

A Program of the U.S. DOE

Light Output (Lumens)	126
Watts	12.3
Lumens per Watt (Efficacy)	10
Color Accuracy Color Rendering Index (CRI)	76
Light Color Correlated Color Temperature (CCT)	3161 (Bright White)

Warm White

2700K

Bright White

3000K

Daylight

4500K

6500K

All results are according to ESNL E3-19-2008: Approved Method for the Electrical and Photometric Testing of Solid-State Lighting. The U.S. Department of Energy (DOE) verifies product test data and results.

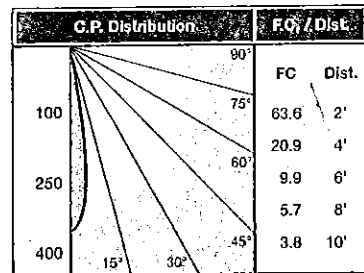
Visit [www.lightingfacts.com](http://www.lightingfacts.com) for the Label Reference Guide.

Registration Number: 6PRA-TMDP10K  
Model Number: 010.E3KH0.45.1.13  
Type: Other

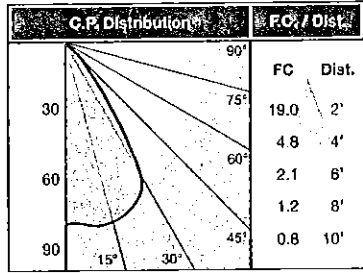
Label references 36" line 1.5 fixture with a 45° beam spread in High Output 3000K. Lighting Facts for additional beam spreads and light output levels may be obtained from io Lighting.



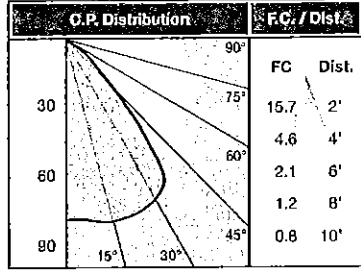
3KH0 10 DEGREE



3KH0 45 DEGREE



3KH0 65 DEGREE



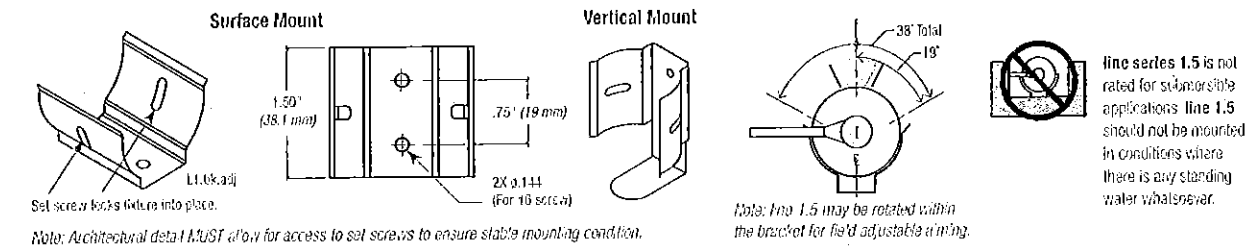
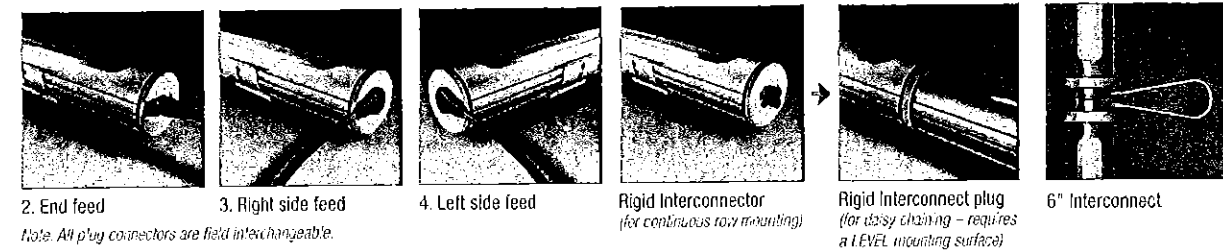
LIGHT OUTPUT CONVERSION TABLE

White Light Output	3000K S.O.	3000K M.O.	3000K H.O.	5000K S.O.	5000K M.O.	5000K H.O.	Color Light Output	AMBER
Light Output Multiplier	0.38 <sup>(1)</sup>	0.70 <sup>(2)</sup>	1.0 <sup>(1)</sup>	0.51 <sup>(2)</sup>	0.93 <sup>(2)</sup>	1.33 <sup>(1)</sup>	0.53 <sup>(2)</sup>	0.51 <sup>(2)</sup>

*IES format photometrics may be downloaded from www.lighting.com*

Note: 2700K and 3000K have same light output.

ELECTRICAL FEED "PLUG" CONNECTORS



0	10	E		18					
io	1	2	3	4	5	6	7	8	9

<b>1. LIGHT OUTPUT</b>	<b>4. DISTRIBUTION</b>	<b>7. LENGTH</b>	<b>9. VOLTAGE / DIMMING</b>
10 1.5 S.O., M.O. or H.O.	10 10 Degree 45 45 Degree 65 65 Degree	UNITS (ACTUAL) 18 18" (18.25") FOR CONTINUOUS ROW Specify length (e.g., 96'-0") Note: Overall length must be divisible by 18.25"	1 120v 2 277v 3 120v w/dim 4 277v w/dim 5 Other
<b>2. LOCATION</b>	<b>5. MOUNTING</b>	<b>8. ELECTRICAL FEED</b>	<b>10. SPECIFY DRIVER / DIMMING</b>
E Exterior	100 Surface mount 103 Vertical mount Note: Universal mounting bracket may be used for all mounting orientations. Set screw locks in aim angle.	2 End feed 3 Right side feed 4 Left side feed 5 6" whip, Left side and right side feed. Note: For straight continuous rows fed by one driver, interconnects will be supplied as required.	Note: If not specified otherwise, we will supply 96 watt drivers. Refer to pages 98-100 for Power Supply options or download Power Supply specification sheet from www.lighting.com.
<b>3. COLOR</b>	<b>6. FINISH</b>		
27K White 2700K (Standard) <sup>(1)</sup> 27KH0 White 2700K (High Output) <sup>(1)</sup> 27KH0 White 2700K (High Output) <sup>(1)</sup> 3K White 3000K (Standard) <sup>(1)</sup> 3KH0 White 3000K (High Output) <sup>(1)</sup> 5K White 5000K (Standard) <sup>(1)</sup> 5KH0 White 5000K (High Output) <sup>(1)</sup> R Red <sup>(2)</sup> G Green <sup>(2)</sup> B Blue <sup>(2)</sup> A Amber <sup>(2)</sup>	1 Anodized aluminum 2 Anodized custom color		

1. With tight white between LEDs with a single fixture will not exceed ANSI Binning Standards  
 2. Refer to conversion table for output. Only available in 7.0 watt.

For Metric Conversion			SSL Chromaticity Standard: ANSI C78.337		
1"	1"	1"	Color	Nominal CCT	Target CCT & Tolerance (K)
25.4mm	2.54cm	0.3m	White	2700K	2725 ± 145
			White	3000K	3045 ± 175
			White	5000K	5028 ± 283



**FEATURES**

**OPTICAL SYSTEM**

- Internal housing components painted matte black. Lamp snoot minimizes stray light in housing.
- Finishing trim is microgroove black baffle with white painted flange or specular, semi-diffuse or highly specular cone with flange that matches cone finish. White painted flange optional. Straight or tapered cut.
- Seamless cast faceplate is retained by self-aligning butterfly support springs.
- Tool-less, 0° - 45° vertical adjustment and 360° horizontal adjustment.
- Designed to allow hot aiming.
- Adjustment mechanism is lockable to maintain aiming during relamping.
- Position indicators allow consistent aiming from fixture to fixture.
- Accommodates up to two lenses, filters or louvers.
- Softening lens standard.

**MECHANICAL SYSTEM**

- Black painted housing features tool-less top access and accommodates a maximum 2" ceiling thickness.
- Re-lamp capability from above or below ceiling.
- Mounting bars are 16-gauge galvanized steel with continuous 4" vertical adjustment, held in place with tool-less, integral cam-action locking. Post installation adjustment possible without the use of tools from above or below the ceiling. Shipped pre-installed.
- Secondary housing adjustment system for precise, final flange to ceiling alignment.
- Painted steel junction box with bottom-hinged access covers and spring latches. Four combination 1/2"-3/4" knockouts for straight-through conduit runs. Capacity: 8(4 in, 4 out) No.12 AWG conductors, rated for 90°C.

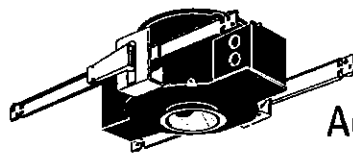
**ELECTRICAL SYSTEM**

- Tool-less access door provides access to junction box through the aperture.
- Replaceable socket assembly. MR16 socket assembly standard (20W - 75W).
- Magnetic step-down transformer (replaceable without the use of tools).
- Thermally-activated insulation detector (replaceable without the use of tools).

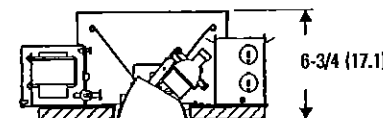
**LISTING**

- Fixtures are UL listed for thru-branch wiring, recessed mounting and damp locations. Listed and labeled to comply with Canadian Standards.

Type Catalog number

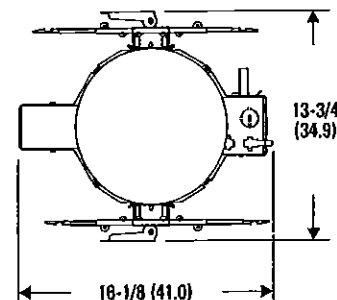


**Low Voltage Downlights**  
**4" DLV**  
**Adjustable Downlight**  
Open Cone



Aperture: 4-5/16 (11.0)  
Ceiling opening: 4-7/8 (12.4)  
Overlap trim: 5-7/16 (13.8)

All dimensions are in inches (centimeters).



16-1/8 (41.0)

13-3/4 (34.9)

**ORDERING INFORMATION**

Example: DLVADJ MR164BCT30120

Choose the bold face catalog nomenclature that best suits your needs and write it on the appropriate line. Order accessories as separate catalog numbers (shipped separately).

DLV ADJ		Lamp designation		Cone/Color		Type		Finish		Options		
Series	DLV	MR16	MR16 capability (Standard)	4BC <sup>2</sup>	Black	T30	Tapered cut, for angles 25° - 45°.	(blank)	Specular low iridescent	TRW	White painted flange. (Standard with WC, MB, and WB.)	
Configuration	ADJ	MR11	MR11 capability	4AC	Clear	T20	Tapered cut, for angles 15° - 25°.	LD	Semi-diffuse low iridescent	Voltage	LRC <sup>3</sup>	Provides compatibility with Lithonia Reloc System.
		ALR12	ALR12 capability	4PC	Pewter	T00	Straight cut, for angles 0° - 15°.	LS	Highly specular			
		ALR18	ALR18 capability	4WTC	Wheat							
		AR70 <sup>1</sup>	AR70 capability	4UBC	Umber							
		4GC	Gold	4CC	Champagne gold							
		4WC <sup>2</sup>	White	4MB <sup>2</sup>	Contoured black baffle							
		4WB <sup>2</sup>	Contoured white baffle									

**NOTES**  
1 Clear safety glass standard with AR70 lamp designation.  
2 Not available with finishes.  
3 For compatible Reloc systems, refer to options and accessories tab.

**Accessories**  
• For lens accessories, refer to options and accessories tab.  
• For lamp options, refer to options and accessories tab.



GOTHAM ARCHITECTURAL DOWNLIGHTING  
A DIVISION OF ACUITY LIGHTING GROUP, INC.  
1400 Lester Road Conyers Georgia 30012  
P 800 315 4982 F 770 860 3129  
www.gothamlighting.com

DLV ADJ 4 ALV-170

# 4" DLV Adjustable Downlight, Gotham Series

## LAMP PERFORMANCE DATA

All data was calculated from each lamp manufacturer's published data and is subject to normal lamp variations. Maximum footcandle is usually at the aiming point, but not always on widespread lamps. Lamp data supplied by manufacturers is approximate, and individual lamp performance may vary.

### ACCENT LIGHTING ANGLE PERFORMANCE DATA

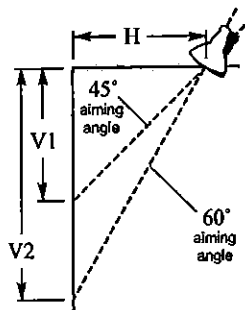
DISTANCE LAMP TO LIGHTED SURFACE DISTANCE DOWN TO AIMING POINT					2 FEET V1 (FT) 2		4 FEET V2 (FT) 7				
Lamp No.	Watts	Type	MFG.	Beam Width (°) to 50% MBCP	MBCP	Aiming Angle 45° FT-CANDLES	Beam Length	Beam Width	Aiming Angle 60° FT-CANDLES	Beam Length	Beam Width
<b>MR-16</b>											
EZX	20	VNSP	GE	7	8200	725	0.5	0.3	64	2.0	1.0
EZY	20	VNSP	GE	7	13100	1158	0.5	0.3	102	2.0	1.0
ESX	20	NSP	GE/SY/PH	15	3600	318	1.1	0.7	28	4.4	2.1
BAB	20	FL	GE/SY/PH	40	525	48	3.4	2.1	4	19.3	5.8
EYS	42	SP	GE	20	2400	212	1.5	1.0	19	6.2	2.8
EXT	50	NSP	GE/SY/PH	13	10200	902	0.9	0.6	80	3.8	1.8
EXZ	50	NFL	GE/SY/PH	26	3400	301	2.0	1.3	27	8.8	3.7
EXN	50	FL	GE/SY/PH	40	1850	164	3.4	2.1	14	19.3	5.8
EYJ	71/65	MFL	GE/SY	24	4900	433	1.8	1.2	38	7.9	3.4
EYC	71/65/75	FL	GE/SY/PH	36	2100	186	2.9	1.8	16	15.2	5.2
<b>MR-11</b>											
FTB	20	SP	SY	10	5000	442	0.7	0.5	39	2.9	1.4
FTC	20	MFL	SY	25	1450	128	1.9	1.3	11	8.3	3.5
FTD	20	NFL	SY	30	600	53	2.3	1.5	5	10.9	4.3
FTE	35	SP	SY	10	6500	575	0.4	0.5	51	2.9	1.4
FTF	35	SP	SY	20	3000	265	1.5	1.0	23	6.2	2.8
FTH	35	NFL	SY	30	1300	115	2.3	1.5	10	10.9	4.3
<b>ALR-12</b>											
GBD	20	NSP	PH	6	7000	619	0.4	0.3	55	1.7	0.8
GBE	20	SP	PH	18	1500	133	1.3	0.9	12	5.5	2.5
GBF	20	FL	PH	32	750	66	2.5	1.6	6	12.2	4.6
<b>ALR-18</b>											
GBJ	50	SP	PH	10	13000	1149	0.7	0.5	102	2.9	1.4
GBK	50	NFL	PH	25	1900	468	1.9	1.3	15	8.3	3.5
<b>AR-70</b>											
20AR70/8/SP	20	SP	SY	8	7000	619	0.6	0.4	55	2.3	1.1
20AR70/25/FL	20	FL	SY	25	850	75	1.9	1.3	7	8.3	3.5
50AR70/8/SP	50	SP	SY	8	15000	1326	0.6	0.4	117	2.3	1.1
50AR70/25/FL	50	FL	SY	25	2000	177	1.9	1.3	16	8.3	3.5

#### LOCATION OF ACCENT LUMINAIRE TO PROVIDE AIMING PT. 5.5' ABOVE THE FLOOR

Ctg. Ht. (ft)	60° Aiming Angle		45° Aiming Angle	
	Out (H)	Down (V2)	Out (H)	Down (V1)
8	1.5	2.5	2.5	2.5
9	2.0	3.5	3.5	3.5
10	2.5	4.5	4.5	4.5

#### NOTES

- 1 IES indicates 5.5' above the floor is an ideal viewing height.
- 2 Tested to current IES and NEMA standards under stabilized laboratory conditions. Various operating factors can cause differences between laboratory data and actual field measurements. Dimensions and specifications are based on the most current available data and are subject to change without notice.



Formula for other distances and aiming angles.

$$fc = \frac{MBCP \times \cos^3(\text{aiming angle})}{H^2 (\text{distance from wall squared})}$$

Feet out from wall (H)

Aiming angle	Cos <sup>3</sup>	Feet down from ceiling (V)				
		6	7	8	9	10
45°	.354	6	7	8	9	10
50°	.266	7	8	10	11	12
55°	.189	9	10	11	13	14
60°	.125	10	12	14	16	17
65°	.076	13	15	18	19	21
70°	.040	17	19	22	25	28
75°	.017	22	26	30	34	37

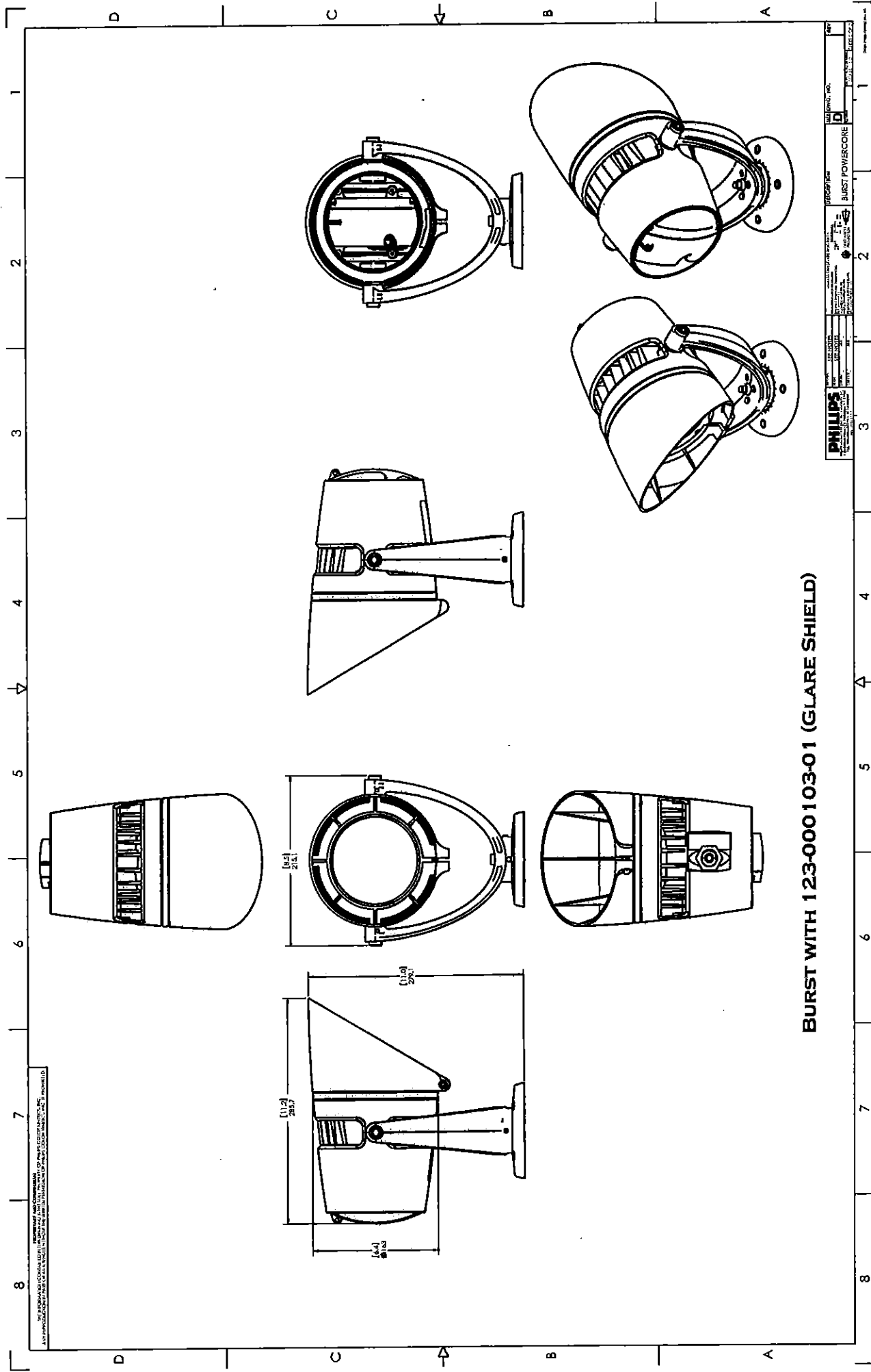
ALV-170

©2003 Gotham, Rev. 01/03  
ALV-170.P65

**gotham**  
An Acuity Brands Company

GOTHAM ARCHITECTURAL DOWNLIGHTING  
A DIVISION OF ACUITY LIGHTING GROUP, INC.  
1400 Lester Road Conyers Georgia 30012  
P 800 315 4982 F 770 860 3129  
www.gothamlighting.com

F3, F5, F13  
GLARE SHIELD



BURST WITH 123-000103-01 (GLARE SHIELD)

PHILIPS  
BURST POWERCORE  
D  
1  
2  
3  
4  
5  
6  
7  
8

Date: \_\_\_\_\_ Type: \_\_\_\_\_

Firm Name: \_\_\_\_\_

Project: \_\_\_\_\_



# eW Burst Powercore

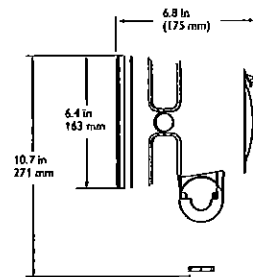
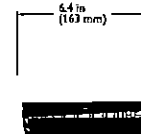
8° primary optic (no spread lens)

High-output, exterior white spotlight for accent and site lighting

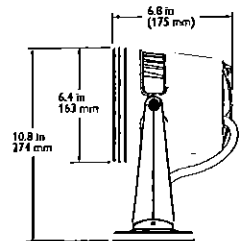
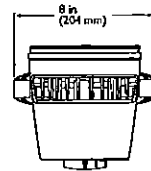
eW<sup>®</sup> Burst Powercore is a high-output, exterior-rated LED lighting fixture designed for accent and site lighting. Architectural and Landscape versions deliver high-quality white light output in a warm 2700 K and a neutral 4000 K, as well as four solid colors (Red, Green, Blue, and Amber) to support a range of uplighting, floodlighting, and decorative lighting applications.

- Integrates patented Powercore<sup>®</sup> technology — Powercore rapidly, efficiently, and accurately controls power output to fixtures directly from line voltage, eliminating the need for an external power supply. Contractor-friendly installation dramatically simplifies installation and lowers total system cost.
- Flexible mounting in architectural applications — Architectural fixtures feature an integrated yoke with canopy base for mounting to standard US junction boxes or directly to a flat surface or substrate as local codes permit.
- Support for a wide range of landscape applications — Landscape fixtures feature a 1/2 in (13 mm) NPT threaded post for mounting to standard junction boxes and third-party mounting accessories such as stanchion mounts, posts, and stakes for use in softscape and hardscape applications.
- Exchangeable optics and accessories — Available 14°, 23°, 41°, and asymmetric 10° x 41° spread lenses project a soft-edge beam to support a wide range of lighting applications. Native 8° beam angle offers extended light projection. Available glare shields block spill light, while honeycomb louvers limit the spread of light for a more focused and intense beam.
- Versatile light positioning — Fixtures can tilt through a full 180°. Architectural fixtures can also rotate through a full 360° for precise aiming. Locking screws accept standard hex wrenches to secure fixtures firmly in position.
- Universal power input range — Accepts a universal power input range of 100 to 277 VAC, allowing the installation of multiple units in a continuous run.

eW Burst Powercore Landscape



eW Burst Powercore Architectural



- Dimming capability — Patented DIMand<sup>®</sup> technology offers smooth dimming capability with many three-wire electronic low voltage (ELV) dimmers for all input voltages.
- Outdoor rated — With a rugged, die-cast aluminum housing fully sealed for maximum fixture life and IP66-rated for outdoor applications, eW Burst Powercore is ideal for use in damp or wet locations.

For detailed product information, please refer to the eW Burst Powercore Product Guide at [www.colorkinetics.com/ls/essentialwhite/ewburstpc/](http://www.colorkinetics.com/ls/essentialwhite/ewburstpc/).

**PHILIPS**

## Specifications

Due to continuous improvements and innovations, specifications may change without notice.

Item	Specification	Details
	Beam Angle	8°
	Lumens†	1168 (2700 K) 1478 (4000 K)
Output	Efficacy (lm / W)	39.9 (2700 K) 49.3 (4000 K)
	CRI	82.6 (2700 K) 80.6 (4000 K)
	Lumen Maintenance‡	90,000 hours L70 @ 25° C 45,000 hours L70 @ 50° C 120,000 hours L50 @ 25° C 70,000 hours L50 @ 50° C
	Input Voltage	100 – 277 VAC, auto-switching, 50 / 60 Hz
Electrical	Power Consumption	30 W maximum at full output, steady state
	Power Factor	.978 (2700 K) .975 (4000 K)
Control	Dimming	Compatible with many commercially available ELV, trailing edge, or reverse-phase control dimmers*
	Dimensions (Height x Width x Depth)	10.8 x 8.0 x 6.8 in (274 x 204 x 175 mm) Architectural 10.7 x 6.4 x 6.8 in (271 x 163 x 175 mm) Landscape
	Weight	11 lb (5 kg) Architectural 7.4 lb (3.4 kg) Landscape
	Housing	Die-cast aluminium, powder-coated finish
Physical	Lens	Tempered glass
	Fixture Connections	Unified power cable with three flying leads
	Operating Temperature	-40° – 122° F (-40° – 50° C) Operating -4° – 122° F (-20° – 50° C) Startup -40° – 176° F (-40° – 80° C) Storage
	Humidity	0 – 95%, non-condensing
Certification and Safety	Certification	UL / cUL, FCC Class A, CE
	LED Class	Class 2 LED product
	Environment	Dry / Damp / Wet Location, IP66

† Lumen measurement complies with IES LM-79-08 testing procedures



‡ L70 = 70% maintenance of lumen output (when light output drops below 70% of initial output).

L50 = 50% maintenance of lumen output (when light output drops below 50% of initial output).

Ambient temperatures specified. Based on measurements that comply with IES LM-80-08 testing procedures.

See [www.colorkinetics.com/support/appnotes/lm-80-08.pdf](http://www.colorkinetics.com/support/appnotes/lm-80-08.pdf) for more information.

\* See [www.colorkinetics.com/support/appnotes/notes/AN-eVW\\_Dimming.pdf](http://www.colorkinetics.com/support/appnotes/notes/AN-eVW_Dimming.pdf) for specific details

## Fixtures and Accessories

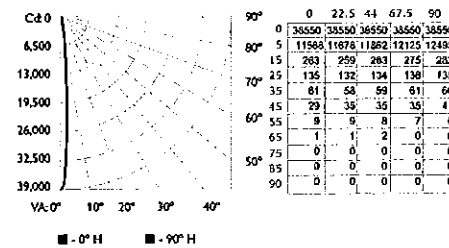
Item	Type	Item Number	Philips 12NC
eVW Burst Powercore, 2700 K	Landscape	523-000036-00	910503700694
	Architectural (UL / cUL)	523-000036-02	910503700744
eVW Burst Powercore, 4000 K	Architectural (CE)	523-000036-04	910503701122
	Landscape	523-000036-01	910503700695
eVW Burst Powercore, 4000 K	Architectural (UL / cUL)	523-000036-03	910503700743
	Architectural (CE)	523-000036-05	910503701123
Spread Lenses	14°	120-000080-00	910503700609
	23°	120-000080-01	910503700610
	41°	120-000080-02	910503700611
Trim Ring	10° x 41° asymmetric	120-000080-03	910503700612
	45° Glare Shield	120-000103-00	910503701212
	Full Height Glare Shield	120-000103-01	910503701213
	Honeycomb Louver	120-000103-02	910503701214
		120-000104-00	910503701215

Use Item Number when ordering in North America.

## Photometrics

2700 K, 8° primary optic (no spread lens)

### Polar Candela Distribution



### Illuminance at Distance

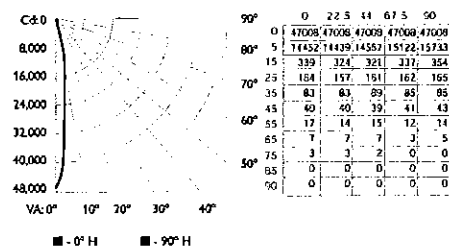
Center Beam fc	Beam Width
4.0 ft	2409 fc 0.6 ft 0.5 ft
8.0 ft	602 fc 1.1 ft 1.1 ft
12.0 ft	268 fc 1.7 ft 1.7 ft
16.0 ft	151 fc 2.2 ft 2.2 ft
20.0 ft	96 fc 2.8 ft 2.8 ft
24.0 ft	67 fc 3.3 ft 3.3 ft

196 ft (59.7 m) 1 fc maximum distance  
 ■ Vert. Spread: 7.9°  
 ■ Horiz. Spread: 8.0°

Lumens 1168  
 Efficacy 39.9 lm / W  
 For lux multiply fc by 10.7

4000 K, 8° primary optic (no spread lens)

### Polar Candela Distribution



### Illuminance at Distance

Center Beam fc	Beam Width
4.0 ft	2938 fc 0.6 ft 0.5 ft
8.0 ft	735 fc 1.1 ft 1.1 ft
12.0 ft	326 fc 1.7 ft 1.7 ft
16.0 ft	184 fc 2.3 ft 2.3 ft
20.0 ft	118 fc 2.8 ft 2.8 ft
24.0 ft	82 fc 3.4 ft 3.4 ft

217 ft (66.1 m) 1 fc maximum distance  
 ■ Vert. Spread: 8.1°  
 ■ Horiz. Spread: 8.1°

Lumens 1475  
 Efficacy 49.3 lm / W  
 For lux multiply fc by 10.7

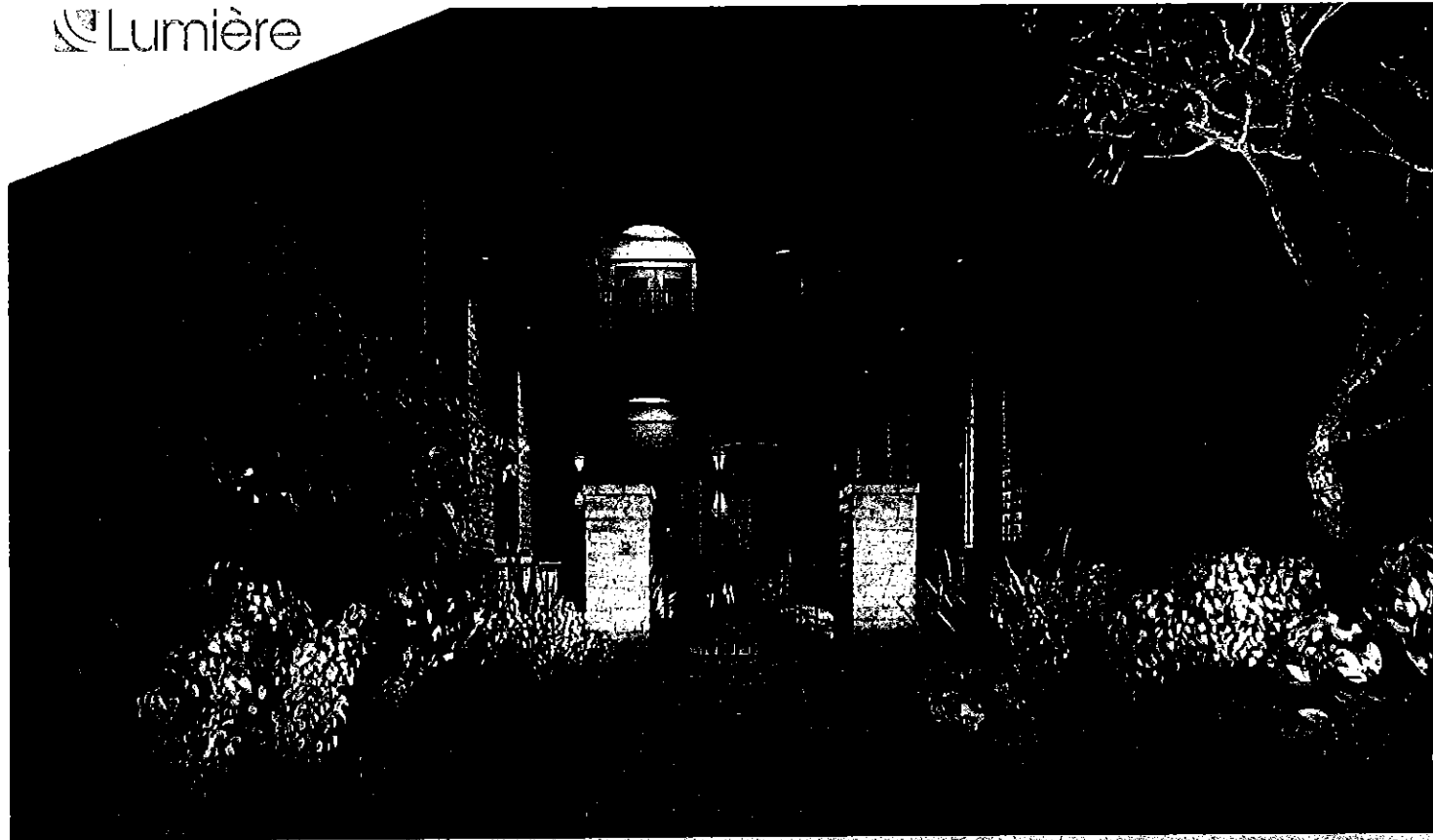


Philips Color Kinetics  
 3 Burlington Woods Drive  
 Burlington, Massachusetts 01803 USA  
 Tel 888.385.5742  
 Tel 617.423.9999  
 Fax 617.423.9998  
[www.colorkinetics.com](http://www.colorkinetics.com)

Copyright © 2010 Philips Solid-State Lighting Solutions, Inc. All rights reserved.  
 Chromacore, Chromatic, CK, the CK logo, Color Kinetics, the Color Kinetics logo, ColorBlast, ColorBlaze, ColorBurst, ColorGraze, ColorPlay, ColorReach, iW Reach, eW Reach, DiHand, EssentialWhite, eVW, iColor, iColor Cove, IntelliWhite, iW, iPlayer, Opbin, and Powercore are either registered trademarks or trademarks of Philips Solid-State Lighting Solutions, Inc. in the United States and / or other countries. All other brand or product names are trademarks or registered trademarks of their respective owners. Due to continuous improvements and innovations, specifications may change without notice. DAS-000032-01 R00 05-10

Lumière

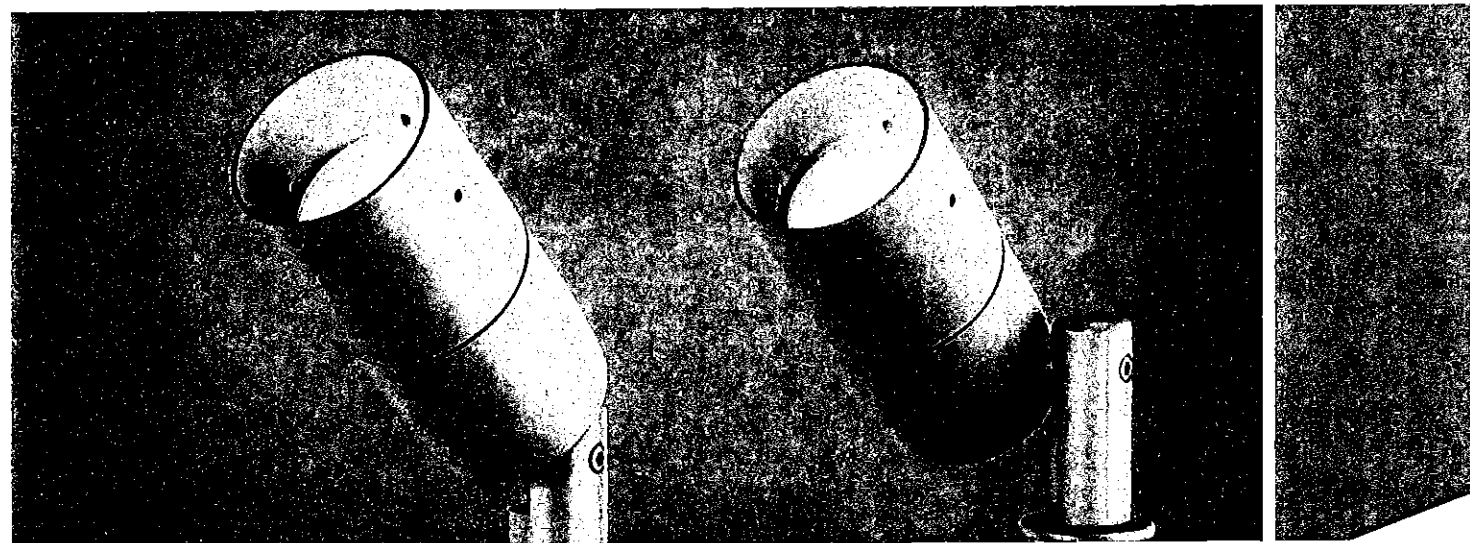
F4



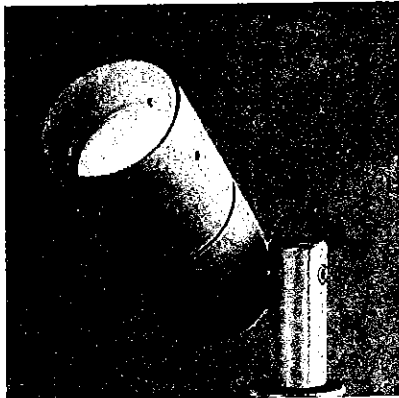
## Cambria 203 LED

the next generation of landscape  
and architectural accent lighting

**COOPER** Lighting







## CAMBRIA 203 LED

Seamlessly integrating next generation sustainable technology

Lumière's next generation offering in the LED field builds upon the latest available device and driver technology and is fully upgradable as the technology continues to evolve.



Specifically designed for low voltage systems, Lumière's Cambria 203 LED module enables the end user to selectively integrate both halogen and LED devices on the same lighting circuit (12V). As the 203-LED fixtures can be installed in the exact same way as any other low voltage system, integration of LED technology into both new-build and retrofit applications is simple and seamless. This proprietary MR16 style LED module design also incorporates a thermal feedback control circuit that monitors on-board temperatures and modifies its own operating parameters to optimize system performance and maximize life.

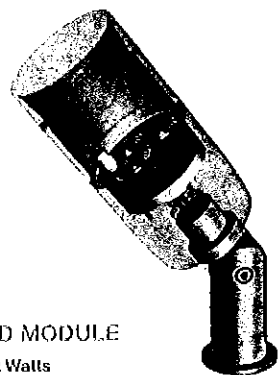
The 203 is available with fully adjustable side swivel stem (203, 203-FL), center rear swivel (203-CRS) or rear flush mount (203-FM). Lenses, louvers and color or dichroic filters can be combined - up to three at once - to create multiple lighting effects. Lumière's exclusive Siphon Protection System (S.P.S.) prevents water from siphoning into the fixture through its own lead wires.

The fixture is precision machined from corrosion resistant 6061-T6 aluminum or solid brass, bronze, copper or stainless steel.

6061-T6 aluminum is double protected by an under coating and polyester powder coat paint finish. Brass, bronze, copper and stainless steel are unpainted to reveal the natural beauty of the material. Brass, bronze and copper will patina naturally over time.

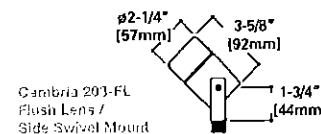
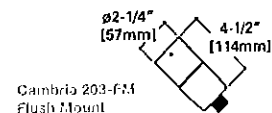
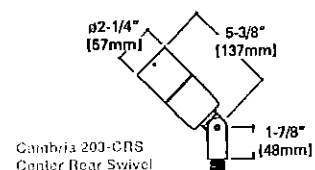
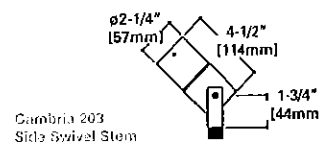
A remote 12V step-down transformer is required (not included).

203 is UL and cUL listed for standard wet label, is IP65 rated, and has been manufactured to ISO 9001-2000 Quality Systems Standard. Other labels include: IBEW union made, New York City Dept. of Buildings approval, and Bureau of Electrical Control for use in New York City, NY approval.



### LED MODULE

- 12 Watts
- On board driver
- Low voltage input
- 3 color temperatures (3000K, 4300K, & 6300K)
- 3 optics (3°, 20°, & 36°)
- Thermal feedback control
- Thermally designed for 203 package (heat sink)



### ORDERING

#### FIXTURE

203= LED Cambria Accent Fixture

#### CONSTRUCTION

— = Standard Side Swivel Stem, 1/2" NPS  
 CRS = Center Rear Swivel Stem, 1/2" NPS  
 FM = Rear Flush Mount, 1/2" NPS  
 FL = Flush Lens, Side Swivel Stem, 1/2" NPS

#### SOURCE

12WLEDS = 12W Warm LED Spot  
 12WLEDS = 12W Neutral LED Spot  
 12WLEDS = 12W Cool LED Spot  
 12WLEDN = 12W Warm LED Narrow  
 12WLEDN = 12W Neutral LED Narrow  
 12WLEDN = 12W Cool LED Narrow  
 12WLEDW = 12W Warm LED Wide  
 12WLEDW = 12W Neutral LED Wide  
 12WLEDW = 12W Cool LED Wide

#### Note:

Warm = 3000K  
 Neutral = 4300K  
 Cool = 6300K  
 Spot = 3 degrees  
 Narrow = 20 degrees  
 Wide = 36 degrees

#### VOLTAGE

12 = 12 Volts

#### FINISH

Painted  
 BK = Black  
 BZ = Bronze  
 CS = City Silver  
 VE = Verde  
 WT = White

#### Metal

MBR = Brass  
 MBZ = Bronze  
 MCP = Copper  
 MSS = Stainless Steel

#### OPTICAL ACCESSORIES

LSL = Linear Spread Lens, 2.00" Dia.  
 OSL = Overall Spread Lens, 2.00" Dia.  
 DIF = Diffused Lens, 2.00" Dia.  
 LVR = Hex Cell Louver, 2.00" Dia.  
 FH203 = 45 degree angled glare shield

PROJECT NAME: \_\_\_\_\_ TYPE: \_\_\_\_\_

CATALOG #: \_\_\_\_\_

Specifications and dimensions subject to change without notice.

Lumière  
 2100 Holly Street  
 Denver, CO 80246  
 Tel: 303-398-1688  
 Fax: 303-398-1677  
 www.cooperlighting.com



Date: \_\_\_\_\_ Type: \_\_\_\_\_

Firm Name: \_\_\_\_\_

Project: \_\_\_\_\_



## eW Burst Powercore

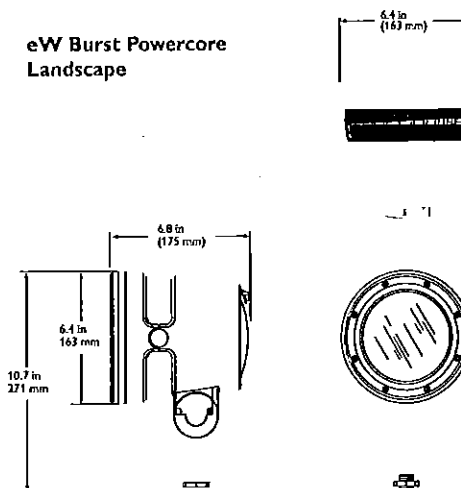
10° x 41° asymmetric spread lens

High-output, exterior white spotlight for accent and site lighting

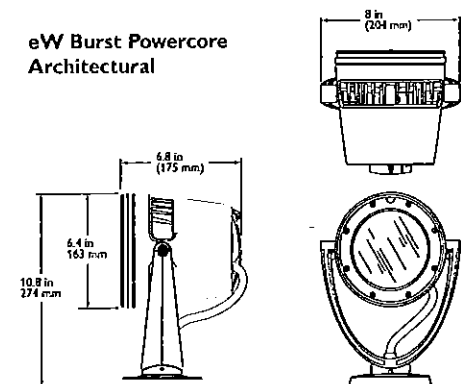
eW<sup>®</sup> Burst Powercore is a high-output, exterior-rated LED lighting fixture designed for accent and site lighting. Architectural and Landscape versions deliver high-quality white light output in a warm 2700 K and a neutral 4000 K, as well as four solid colors (Red, Green, Blue, and Amber) to support a range of uplighting, floodlighting, and decorative lighting applications.

- Integrates patented Powercore<sup>®</sup> technology — Powercore rapidly, efficiently, and accurately controls power output to fixtures directly from line voltage, eliminating the need for an external power supply. Contractor-friendly installation dramatically simplifies installation and lowers total system cost.
- Flexible mounting in architectural applications — Architectural fixtures feature an integrated yoke with canopy base for mounting to standard US junction boxes or directly to a flat surface or substrate as local codes permit.
- Support for a wide range of landscape applications — Landscape fixtures feature a 1/2 in (13 mm) NPT threaded post for mounting to standard junction boxes and third-party mounting accessories such as stanchion mounts, posts, and stakes for use in softscape and hardscape applications.
- Exchangeable optics and accessories — Available 14°, 23°, 41°, and asymmetric 10° x 41° spread lenses project a soft-edge beam to support a wide range of lighting applications. Native 8° beam angle offers extended light projection. Available glare shields block spill light, while honeycomb louvers limit the spread of light for a more focused and intense beam.
- Versatile light positioning — Fixtures can tilt through a full 180°. Architectural fixtures can also rotate through a full 360° for precise aiming. Locking screws accept standard hex wrenches to secure fixtures firmly in position.
- Universal power input range — Accepts a universal power input range of 100 to 277 VAC, allowing the installation of multiple units in a continuous run.

eW Burst Powercore  
Landscape



eW Burst Powercore  
Architectural



- Dimming capability — Patented DIMand<sup>®</sup> technology offers smooth dimming capability with many three-wire electronic low voltage (ELV) dimmers for all input voltages.
- Outdoor rated — With a rugged, die-cast aluminum housing fully sealed for maximum fixture life and IP66-rated for outdoor applications, eW Burst Powercore is ideal for use in damp or wet locations.

For detailed product information, please refer to the eW Burst Powercore Product Guide at [www.colorkinetics.com/ls/essentialwhite/ewburstpd/](http://www.colorkinetics.com/ls/essentialwhite/ewburstpd/).

# PHILIPS

## Specifications

Due to continuous improvements and innovations, specifications may change without notice.

Item	Specification	Details
	Beam Angle	10° x 41°
	Lumens†	1046 (2700 K) 1317 (4000 K)
Output	Efficacy (lm / W)	35.9 (2700 K) 44.0 (4000 K)
	CRI	82.6 (2700 K) 80.6 (4000 K)
	Lumen Maintenance‡	90,000 hours L70 @ 25° C 45,000 hours L70 @ 50° C 120,000 hours L50 @ 25° C 70,000 hours L50 @ 50° C
Electrical	Input Voltage	100 – 277 VAC, auto-switching, 50 / 60 Hz
	Power Consumption	30 W maximum at full output, steady state
	Power Factor	.978 (2700 K) .975 (4000 K)
Control	Dimming	Compatible with many commercially available ELV, trailing edge, or reverse-phase control dimmers*
	Dimensions (Height x Width x Depth)	10.8 x 8.0 x 6.8 in (274 x 204 x 175 mm) Architectural 10.7 x 6.4 x 6.8 in (271 x 163 x 175 mm) Landscape
Physical	Weight	11 lb (5 kg) Architectural 7.4 lb (3.4 kg) Landscape
	Housing	Die-cast aluminium, powder-coated finish
	Lens	Tempered glass
	Fixture Connections	Unified power cable with three flying leads
Certification and Safety	Operating Temperature	-40° – 122° F (-40° – 50° C) Operating -4° – 122° F (-20° – 50° C) Startup -40° – 176° F (-40° – 80° C) Storage
	Humidity	0 – 95%, non-condensing
	Certification	UL / cUL, FCC Class A, CE
	LED Class	Class 2 LED product
	Environment	Dry / Damp / Wet Location, IP66

† Lumen measurement complies with IES LM-79-08 testing procedures

‡ L70 = 70% maintenance of lumen output (when light output drops below 70% of initial output).

L50 = 50% maintenance of lumen output (when light output drops below 50% of initial output).

Ambient temperatures specified. Based on measurements that comply with IES LM-80-08 testing procedures.

See [www.colorkinetics.com/support/appnotes/lm-80-08.pdf](http://www.colorkinetics.com/support/appnotes/lm-80-08.pdf) for more information.

\* See [www.colorkinetics.com/support/appnotes/notes/AN-eW\\_Dimming.pdf](http://www.colorkinetics.com/support/appnotes/notes/AN-eW_Dimming.pdf) for specific details



## Fixtures and Accessories

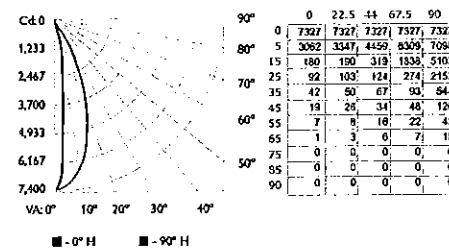
Item	Type	Item Number	Philips 12NC
eW Burst Powercore, 2700 K	Landscape	523-000036-00	910503700694
	Architectural (UL / cUL)	523-000036-02	910503700744
	Architectural (CE)	523-000036-04	910503701122
eW Burst Powercore, 4000 K	Landscape	523-000036-01	910503700695
	Architectural (UL / cUL)	523-000036-03	910503700743
	Architectural (CE)	523-000036-05	910503701123
Spread Lenses	14°	120-000080-00	910503700609
	23°	120-000080-01	910503700610
	41°	120-000080-02	910503700611
	10° x 41° asymmetric	120-000080-03	910503700612
Trim Ring		120-000103-00	910503701212
	45° Glare Shield	120-000103-01	910503701213
Full Height Glare Shield		120-000103-02	910503701214
Honeycomb Louver		120-000104-00	910503701215

Use Item Number when ordering in North America.

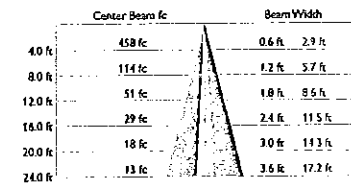
## Photometrics

2700 K, 10° x 41° asymmetric spread lens

### Polar Candela Distribution



### Illuminance at Distance

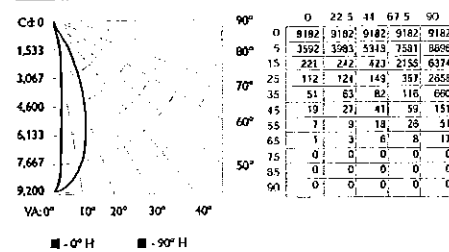


85.5 ft (26.1 m) 1 fc maximum distance  
 Vert. Spread: 8.7°  
 Horiz. Spread: 39.4°

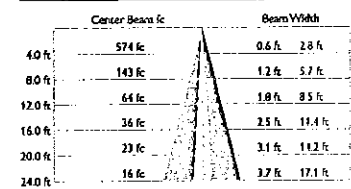
Lumens 1046  
 Efficacy 35.9 lm / W  
 For lux multiply fc by 10.7

## 4000 K, 10° x 41° asymmetric spread lens

### Polar Candela Distribution



### Illuminance at Distance



96 ft (29.3 m) 1 fc maximum distance  
 Vert. Spread: 8.8°  
 Horiz. Spread: 39.2°

Lumens 1317  
 Efficacy 44.0 lm / W  
 For lux multiply fc by 10.7



Philips Color Kinetics  
 3 Burlington Woods Drive  
 Burlington, Massachusetts 01803 USA  
 Tel 888.385.5742  
 Tel 617.423.9999  
 Fax 617.423.9998  
[www.colorkinetics.com](http://www.colorkinetics.com)

Copyright © 2010 Philips Solid-State Lighting Solutions, Inc. All rights reserved.  
 Chromacore, Chromatic, CX, the CX logo, Color Kinetics, the Color Kinetics logo, ColorBlaze, ColorBlaze, ColorBurst, ColorGraze, ColorPlay, ColorReach, iW Reach, eW Reach, DiMand, EssentialWhite, eW, iColor, iColor Cove, IntelliWhite, iW, iPlayer, Opibin, and Powercore are either registered trademarks or trademarks of Philips Solid-State Lighting Solutions, Inc. in the United States and / or other countries. All other brand or product names are trademarks or registered trademarks of their respective owners. Due to continuous improvements and innovations, specifications may change without notice.  
 DAS-000032-05 R00 05-10



SUITABLE FOR WET LOCATIONS IP68

# M9720/M9740 SERIES

## MODULAR IN-GRADE LUMINAIRE

### DOUBLE LENS MONOCHROMATIC LED

#### DESCRIPTION

Hydrel's M9720/M9740 Series modular in-grade lights are multi-purpose units designed for uplighting of architectural and landscape features. These adjustable units can be flushed mounted into a variety of substrates or landscape materials. The M9720/M9740 consists of a factory sealed lamp module and encapsulated power module. The components are secured inside a heavy-duty polymer rough-in housing designed with channeled convective cooling, an integral junction box, and finish door trim assembly.

These double lens units offer lamp module aiming, featuring Aim-Lock™ adjustment to allow for maintenance and relamping without re-aiming.

#### FEATURES & SPECIFICATIONS

**DOOR MATERIAL:** Cast Aluminum, cast bronze, cast aluminum or bronze with stainless perforated trim insert or Stainless Steel. Available in round or square door trim.

**ROUGH-IN SECTION:** Injection molded polymer with integral junction box for thru-branch wiring. The housing is U.V. stabilized, impact and corrosion resistant for use in all types of environments. The rough-in houses the lamp and power module components and top door finishing section.

**LAMP MODULE:** Stainless steel housing, factory-sealed and purged of all moisture for longer component life. The lamp module is suspended below the top door lens in a surface adjustable, 15° tilt mechanism. The insulating air layer helps to reduce surface temperatures. Active optical lenses are also available. Lens is sealed with silicone gasket and stainless steel clamp band assembly with single fastener. Electrical connection to lamp module is done through a submersible quick pull plug connector with gold-plated contacts. (Lamp Included)

**LAMP TYPE: LED:** Monochromatic LEDs, 22W

**VOLTAGE:** See ordering guide.

**LIGHT DISTRIBUTIONS:** See ordering guide.

**FINISHING SECTION:** Double lens design includes door assembly with 360° Aim-Lock™ module support and tilt ring. Module indexing provides easy maintenance and relamping without re-aiming. Door trim locks into position with two stainless steel captive, tamper-resistant fasteners.

**POWER MODULE:** LED driver is encapsulated in a custom heat-dissipating epoxy resin that also eliminates all moisture intrusion. Module is provided with submersible rated cord leads for connection to integral junction box and lamp module.


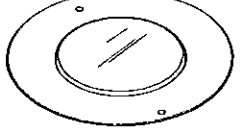
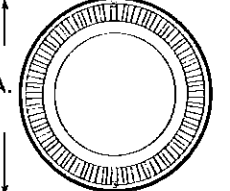
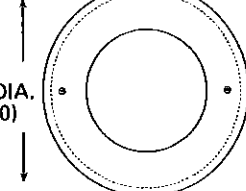
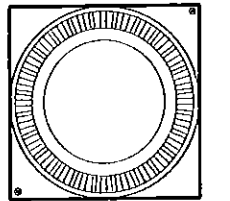
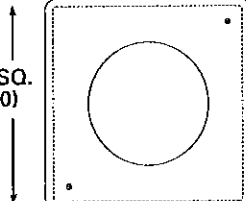
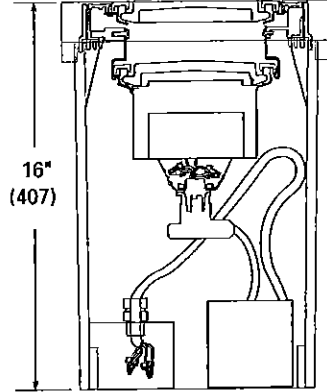
**CONDUIT ENTRIES:** Two (2) bottom or side entries available. Box suitable for through-branch wiring. Splicing volume is 25 in3 (410 ccm)

**NOTE:** Potting compound (PC21) recommended for junction box splices. PC21 sold separately.

**ACCESSORIES:** See ordering guide.

**FINISH:** Finish is natural aluminum or bronze. Stainless steel door is brushed finish. Aluminum doors may be painted. See ordering guide.

**LISTING:** U.L., CUL, CE

TYPE		JOB NAME				
PART NUMBER						
Model	Material	Lamp Type	LED Color	Voltage	Distribution	
Lens	Conduit Entry	Control	Communicate	Accessories	Lamp	Finish
 Bronze or Aluminum Round		 13" Stainless Steel Round				
 12" DIA. (305)		 13" DIA. (330)				
 12" SQ. (305)		 13" SQ. (330)				
 LED Rough-in housing						
APPROVALS						

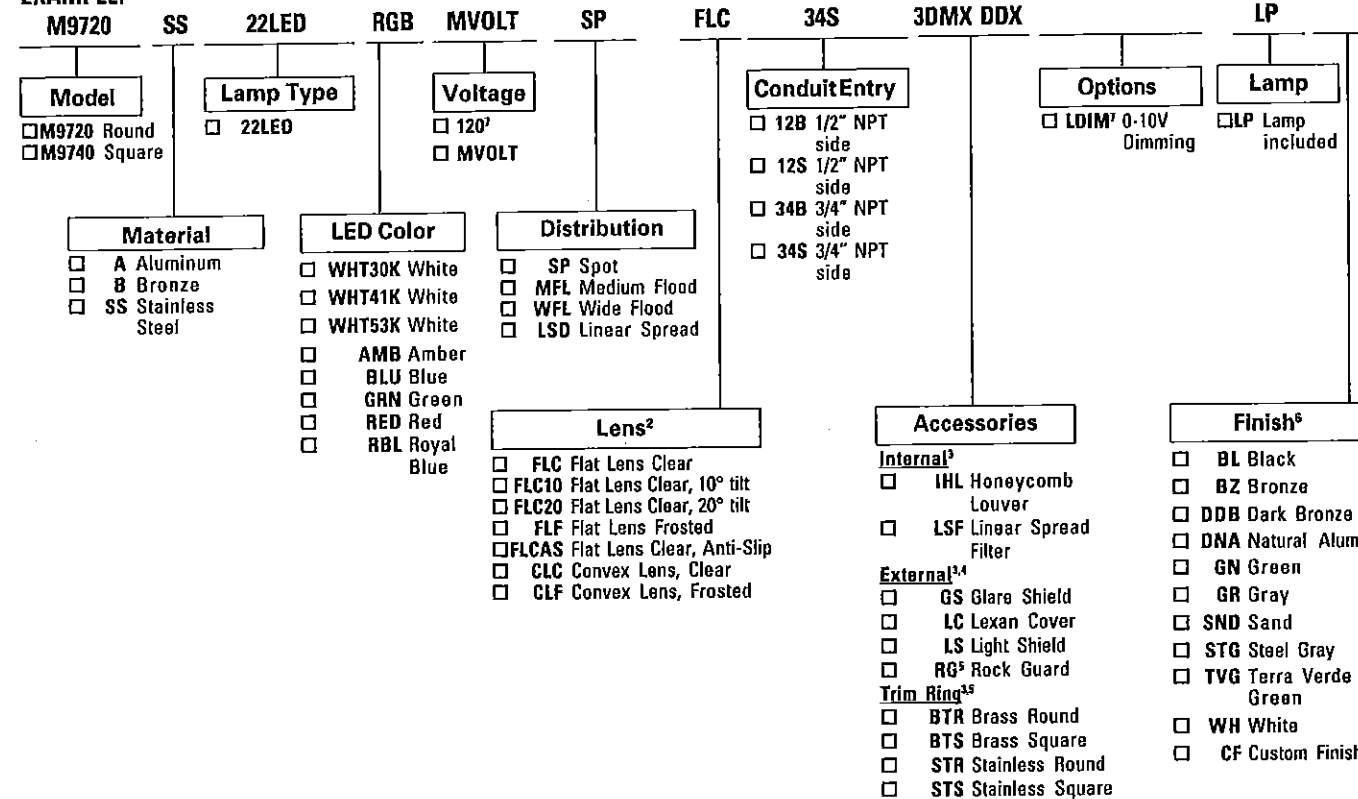
# M9720/9740 ORDERING INFORMATION

60 Hz Application  
Choose the boldface catalog nomenclature that best suits your needs.

**PART NO.**

---

**EXAMPLE:**



**Notes:**

- <sup>1</sup> Not Available with M9430 square model.
- <sup>2</sup> Specify top lens. Bottom lens is FLC standard.
- <sup>3</sup> Accessories are mutually exclusive, choose one only.
- <sup>4</sup> Not available with CLC or CLF convex lens.
- <sup>5</sup> Accessory not available with SS door material.
- <sup>6</sup> Finish only available on "A" door material.
- <sup>7</sup> Static Channels - All fixtures have the same channel numbers, indicate starting channel.
- <sup>8</sup> Sequential Channels - Specify starting channel.
- <sup>9</sup> Consult factory.

**M9700 Series Assembly MRIS97 Rough-In Housing consists of the following MFS97 Finishing Section individual component MACL Lamp Module parts: MHSL97 Power Module**

# PHENIX

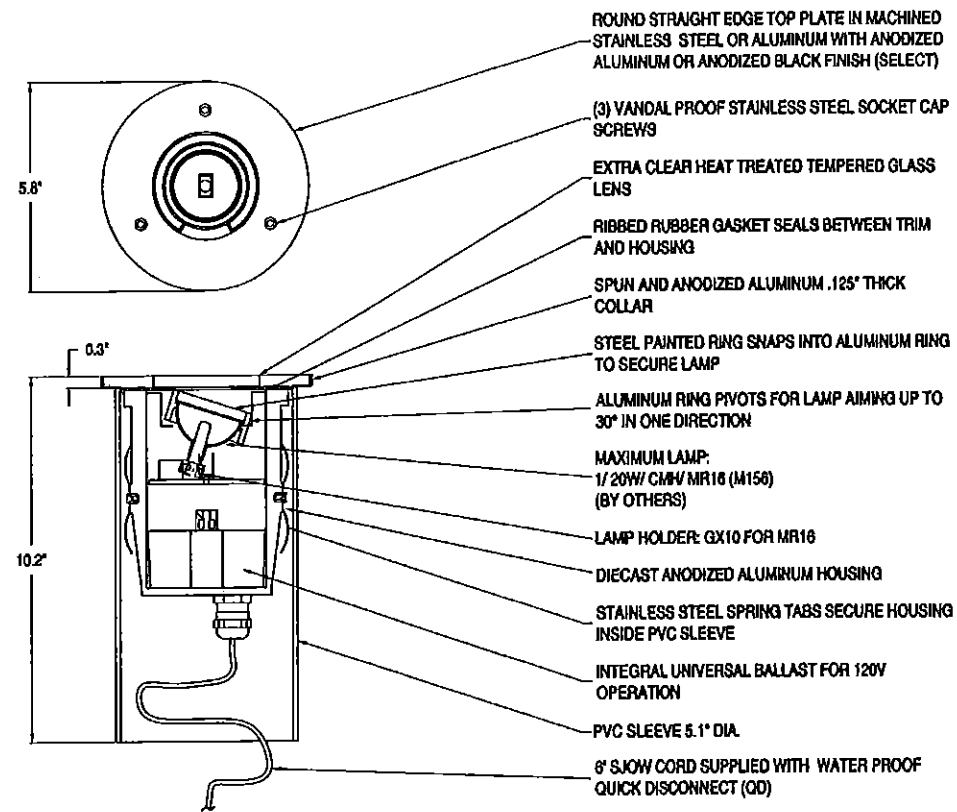
20W/CMH MR16

F7

Straight Edge

Type: \_\_\_\_\_  
 Project: \_\_\_\_\_  
 Catalog Number: \_\_\_\_\_

- NOTES:  
 1. INSTALLATION IS SUBJECT TO LOCAL CODES AND JURISDICTION  
 2. PROPER DRAINAGE MUST BE PROVIDED



**PHENIX**  
20W/CMH MR16

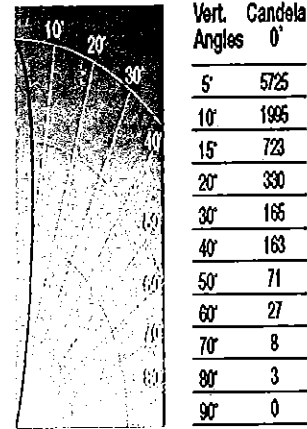
Straight Edge

Inground

Spot (SP)

Lamp Type: CMH/MR16  
Wattage: 20  
Center Beam CP: 9669  
Beam Angle: 12°

Candlepower Distribution Data

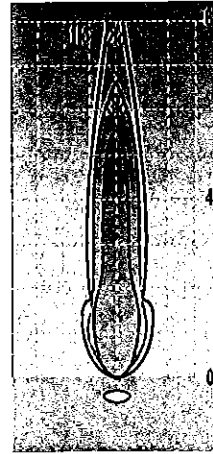


Lighting Performance Data

Ceiling Height	Initial Fc at 0°	Beam Dia.
10'	97	2.1'
8'	151	1.7'
6'	269	1.3'
4'	604	0.8'
2'	2417	0.4'

Beam diameter is at 50% max. Fc.

Application Data



0.5' setback, 1'x1' grid.

Notes: a. Contribution from additional fixtures could increase Fc levels.  
b. Illuminance values are initial Fc without consideration of surface reflectances or Light Loss Factors.

**Design:** Targetti Concept: Phenix inground luminaire creates accent illumination for pathway, wall and landscape area and up-lighting applications. Available as a low-voltage luminaire (remote mounted or integral transformer). Adjustable light source pivots 30°. **Finish:** Anodized aluminum, anodized black or stainless steel. **Material:** Body: Hard anodized aluminum casting. Screws: Stainless steel. Sleeve: PVC (recycled). Glass: Heat-treated, extra clear, tempered. Trim: Machined aluminum or stainless steel. Collar: Anodized aluminum. **Mounting:** Inground: suitable for direct burial in soil/gravel or cast into concrete. Supplied with quick disconnect cable for ease of installation and to prevent moisture from wicking into luminaire. **Weight:** 4.0 lbs. **Label:** cULus, wet location, IBEW

PRODUCT CODE	LIGHT SOURCE	VOLTAGE	COLOR TYPE	TOP PLATE STYLE
PHE	1/20W/CMH/MR16 GX10 1/50W/MR16 GU5.3	120/12V 120V 12V 277/12V	ANOD ALU ANOD BLK ST STEEL	BEVELED SQUARE STRAIGHT

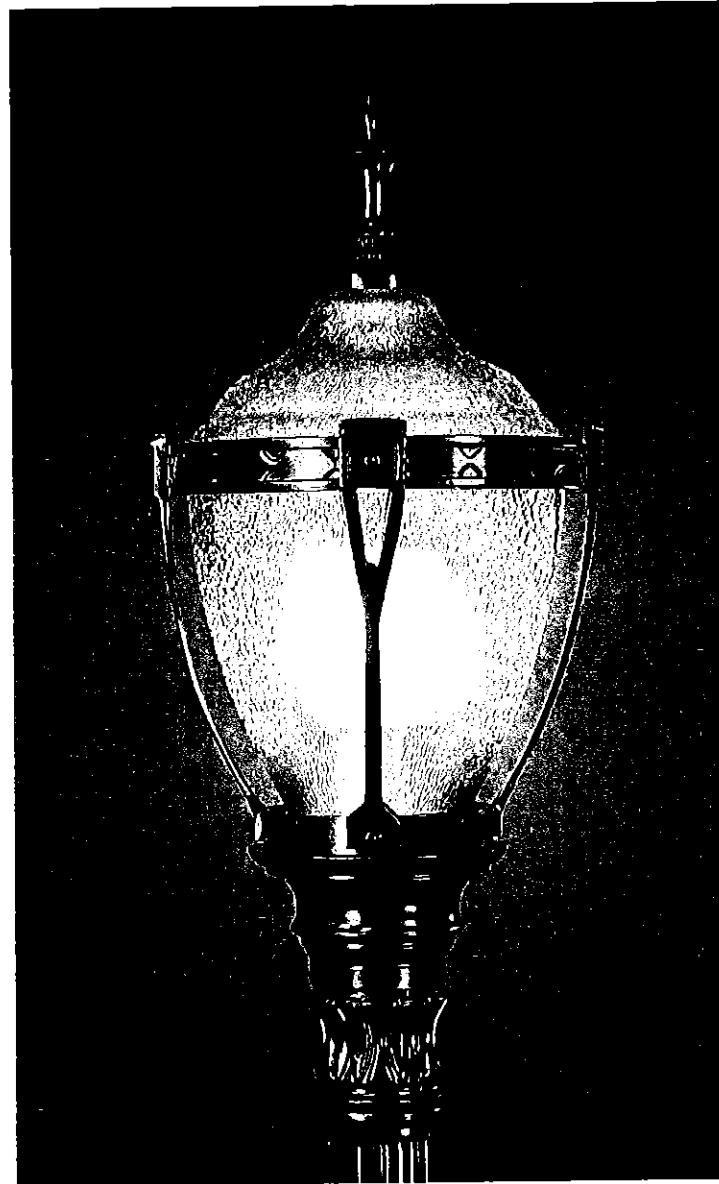
Specification Notes

- a. 20W/CMH variant provided with a 120V electronic ballast.
- b. 50W/MR16/12V variant requires a remote transformer.
- c. Supplied with collar for flush mounting.
- d. Supplied with sleeve and quick disconnect.
- e. Beveled trim supplied without collar.
- f. 20W/CMH variant is low heat for walk over direct contact < 131°F/55°C.
- g. Max. one accessory plus a JBox per luminaire.

Info Notes

- I. Drive over capacity 6,613 lbs. at 31 mph.
- II. Ingress Protection Code: IP67.

## AM30 Luminaire



AM30 M

F8

## SPECIFICATIONS

### CONSTRUCTION

The luminaire has an acorn globe in clear textured acrylic or optional clear or white textured polycarbonate and a cast aluminum base/ballast housing with integral decorative arms and band. Finial is cast aluminum. Luminaire is available with a large variety of base styles from which to select. All hardware is stainless steel.

### INSTALLATION

The luminaire mounts on a 3" O.D. x 3" tall tenon with six, 1/4-20 socket set screws. Luminaire with the B series luminaire base mounts on a 8.25" O.D. ring. The globe is removed from the luminaire base by loosening 4 stainless steel set screws, providing complete access to the lamp and ballast assembly. Ballast assembly has tool-less access and is furnished with a quick disconnect. To access ballast assembly, release spring tab, rotate and lift cover off of pin, then lift out ballast tray.

### OPTICS

Luminaire is furnished with an H.I.D. ballast and socket assembly or a 42 watt compact fluorescent socket and ballast. The luminaire is UL listed and labeled as suitable for wet locations. Sockets are glazed porcelain, medium or mogul base, with a copper alloy nickel-plated screw shell and center contact. Ballasts are core and coil, high power factor, regulating type.

### FINISH

The luminaire has a powder coat finish utilizing a premium TGIC polyester powder. The finish is a three-stage process which consists of drying, powder application and curing. Before coating, the parts are treated with a five-stage pretreatment process, consisting of a heated alkaline cleaner, rinse, phosphate coating, rinse and sealant.

## ANTIQUÉ Street Lamps™

An Acuity Brands Company

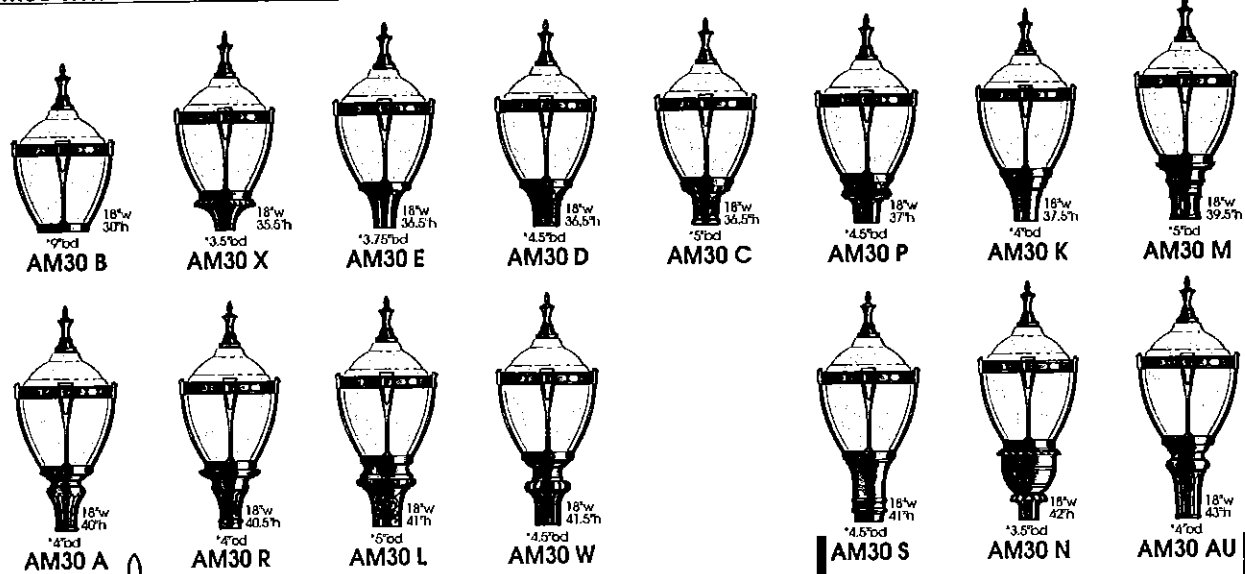
2011-B W. Rundberg Lane • Austin, TX 78758  
ph. (800)410-8899 • fax (512)977-9622  
www.antiquestreelamps.com  
Acuity Lighting Group, Inc.



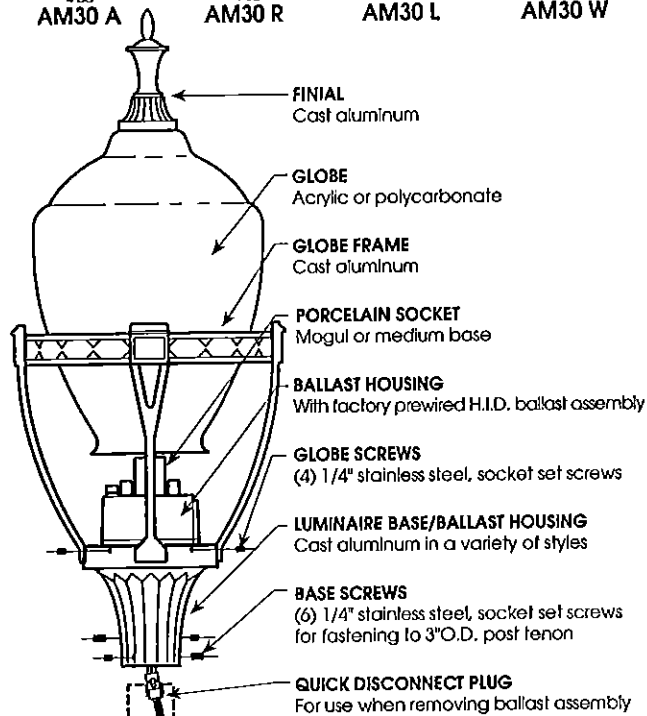
# AM30 Luminaire

\*bd dimensions are the diameter of the base

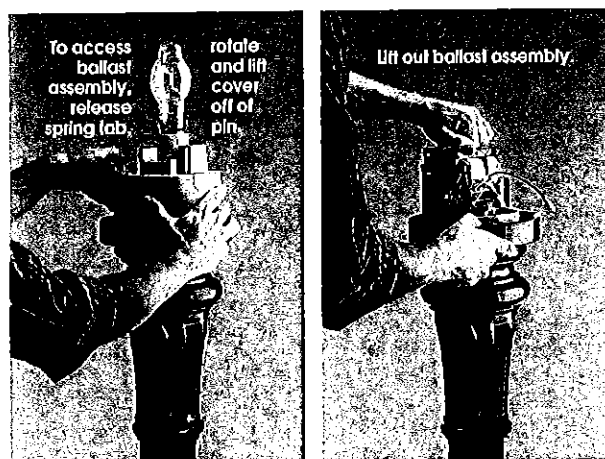
## AM30 WITH LUMINAIRE BASE CHOICE



Twist & Lock photoelectric cell options available with luminaire bases S, N and AU only.



## TOOL-LESS BALLAST HOUSING



LUMINAIRE BASE WITH BALLAST HOUSING AND SOCKET

REMOVING BALLAST ASSEMBLY

Note: Lamp is not furnished with the luminaire. Globe frame not shown in photos for clarity.

## ORDERING GUIDE

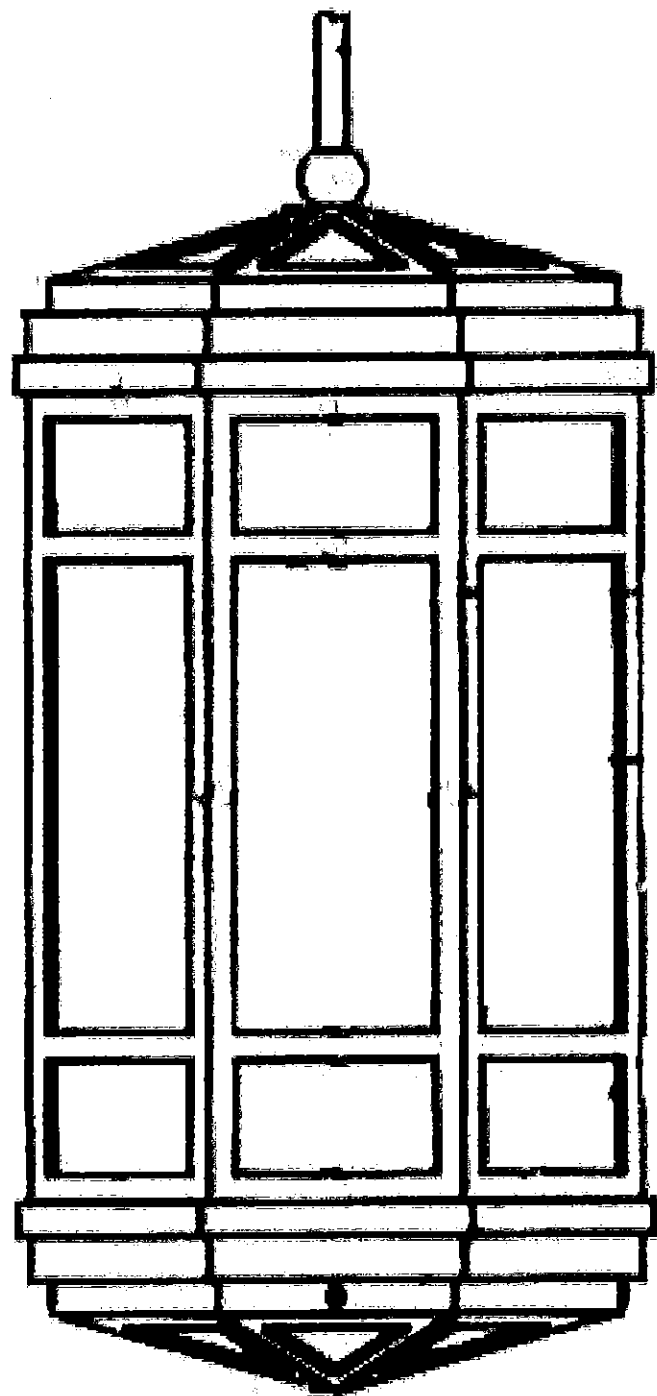
Sample Catalog no: AM30 E 150M MED ACT GR5 TB1 PEB1 ANBK

Series	Wattage/Lamp	Lens Material	Distribution	Voltage <sup>1</sup>	Options	Finish <sup>2</sup>
AM30 B <sup>5</sup>	Metal Halide 50M MED	ACT Acrylic, Clear textured	(blank) Type V	TB1 120 volt	HS House Side Shield	ANBK Black
AM30 X						
AM30 E	70M MED	PCT Polycarbonate, Clear Textured	GR5 Glass refractor, Type V	TB2 208 volt	PEB1 Photoelectric cell button 120v	ANDB Dark Bronze
AM30 D						
AM30 C	100M MED	PWT Polycarbonate, White Textured	GR3 Glass refractor, Type III	TB3 240 volt	PEB2 Photoelectric cell button 208, 240, 277v	ANDG Dark Green
AM30 P						
AM30 K	150M MED	PWT Polycarbonate, White Textured	LBR5 Low Bright, Refl., Type V	TB4 277 volt	PER <sup>3</sup> Twist-Lock Photocontrol Receptacle	ANPP Prime Painted
AM30 M						
AM30 A	High Pressure Sodium 50S MED	PWT Polycarbonate, White Textured	LBR5 Low Bright, Refl., Type V	347 347 volt	PE1 <sup>3</sup> NEMA Twist & Lock PE 120, 208, 240v	CM Custom Match
AM30 R						
AM30 L	70S MED	PWT Polycarbonate, White Textured	LBR5 Low Bright, Refl., Type V	480 <sup>1</sup> 480 volt	PE3 <sup>3</sup> NEMA Twist & Lock PE 347v	CS Custom Select RAL colors
AM30 W						
AM30 S <sup>3</sup>	100S MED	PWT Polycarbonate, White Textured	LBR5 Low Bright, Refl., Type V	480 <sup>1</sup> 480 volt	PE4 <sup>3</sup> NEMA Twist & Lock PE 480v	CS Custom Select RAL colors
AM30 N <sup>3</sup>						
AM30 AU <sup>3</sup>	Compact Fluorescent 42TRT	PWT Polycarbonate, White Textured	LBR5 Low Bright, Refl., Type V	480 <sup>1</sup> 480 volt	PE7 <sup>3</sup> NEMA Twist & Lock PE 277v	CS Custom Select RAL colors

NOTES:  
1. Multi-lap Ballast (120, 208, 240, 277v), (120, 277, 347v in Canada). For wattages under 70S or 70M contact ASL for voltage availability.  
2. For finish and color options, see Finish section in catalog or contact ASL.  
3. Twist & Lock Photo Control only available with N, S, and AU bases.  
4. 250M & 250S not available with luminaire bases X, E, K, D, P and C.  
5. Consult factory for wattages for B Series Luminaire Base.

ANTIQUE Street Lamps<sup>®</sup>  
An Acuity Brands Company

PREV



F9  
F15  
F17  
CUSTOM  
SERIES

Lantern 3272-1  
Image 415 of 702

CLOSE X

Ordering Example: Fixture: EL807 / Model: 5LED120 / Finish: DB

Advanced LED Collection

F10

# Step Light LED Rectangle • KLV807 / EL807

12V/120V/277V | 5W or 15W | Die-Cast Aluminum | Wall, Step, Porch Lighting

## SPECIFICATIONS

**HOUSING:** Die-cast low copper alloy aluminum with clear anodized finish. Two 1/2" NPT in sides. Housing mounts into concrete, brick, or masonry (non-combustible materials). Internal splice area provided behind lamp plate.

**LENS FRAME:** Die-cast aluminum, with silicone gasket, attaches to housing with two captive 10-32 stainless steel, hex socket cap screws.

**LENS:** Tempered prismatic glass with silicone gasket, concealed above lens frame opening.

**TRANSFORMER:** KLV807 requires remote transformer.

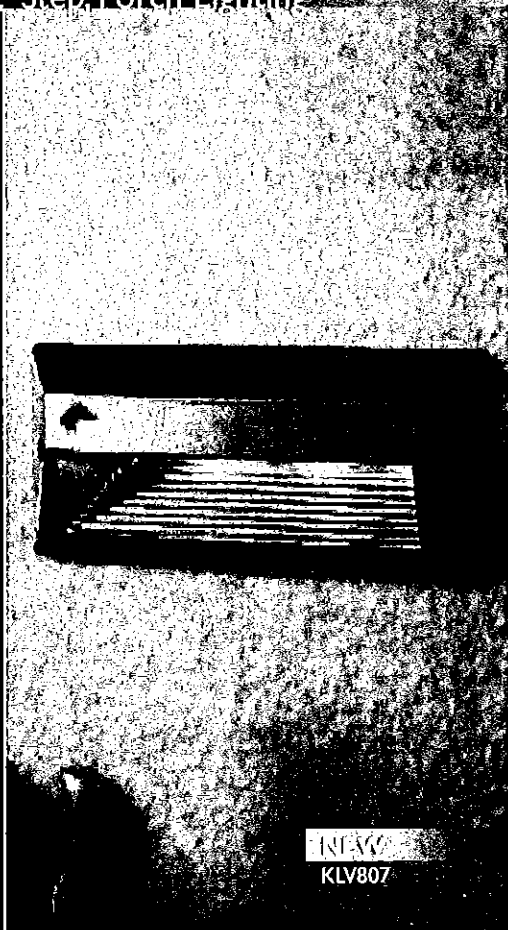
**OPTICAL SYSTEM KLV807:** A total of 3 LED emitters configured in a rectangular array comprised together as a module. Available in "Halogen White" (approx. 3500K). Emitters are directly attached to the electronic driver. **EL807:** A total of 3 or 9 LED emitters configured in a rectangular array comprised together as a module. Available in "Halogen White" (approx. 3500K). Emitters are directly attached to the electronic driver.

**DRIVER KLV807:** Constant current electronic driver. Rated for 5 watts. Available in 12V input. -40°F starting temperature. All drivers are Underwriters Laboratories recognized. **EL807:** Constant current electronic driver. Available in 120V or 277V input. -40°F starting temperature. All drivers are Underwriters Laboratories recognized.

**FINISH:** Super TGIC thermoset polyester powder coat paint, 2.5 mil nominal thickness, applied over a titanated zirconium conversion coating; 2500 hour salt spray test endurance rating. Standard colors are Black (BL), Dark Bronze (DB), and Verde Green (GR).

**CERTIFICATION:** UL Listed to U.S. and Canadian safety standards for wet locations.

**NOTE:** The 120V driver can be dimmed with an off-the-shelf phase control line dimmer (SCR/TRIAC style).



For complete photometric and specification data, log onto [www.kimilighting.com](http://www.kimilighting.com)

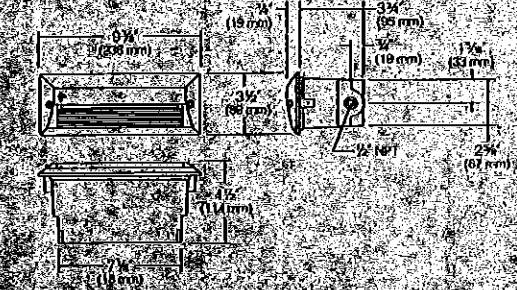
## STEP LIGHT RECTANGLE ORDERING INFORMATION

Fixture	Model	Finish (See F10 for reference)
KLV807	3LED120	BL - Black
EL807	5LED120	DB - Dark Bronze
	15LED120	GR - Verde Green
	15LED277	

### Distribution Pattern



### Dimensions



KLV807/EL807

KIMILIGHTING

Ordering Example: 

Fixture	Model	Finish	Hood			
KLV188	/	SLED12	/	DB	/	H60

# 8" 13" or 20" Traditional LED

12V/120V | 5W | Die-Cast Aluminum or Brass | Path Lighting



**NEW**  
KLV188, KLV189  
BNI189, EL188

**NEW**  
KLV190, KLV192  
BNI192, EL190

**NEW**  
KLV198, KLV197  
BNI197, EL198

H60 Pagoda in BL Black Aluminum

H80 Cone in BL Black Aluminum

H70 Mushroom in BL Black Aluminum

### TRADITIONAL ORDERING INFORMATION

Fixture	Model	Finish (See p. 12 for reference)	Hood
KLV188, KLV189, BNI189, EL188	SLED12	BL - Black Alum DB - Dark Bronze Alum GR - Verde Green Alum	H60 Pagoda
KLV190, KLV192, BNI192, EL190	SLED12	NB - Natural Bronze Brass VG - Verde Green Patina Brass	H80 Cone
KLV198, KLV197, BNI197, EL198	SLED20	BL - Black Alum DB - Dark Bronze Alum GR - Verde Green Alum	H70 Mushroom
KLV190, KLV192, BNI192, EL190	SLED20	NB - Natural Bronze Brass VG - Verde Green Patina Brass	H80 Cone



### Distribution Pattern

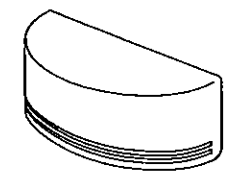


Job:  
Type:  
Notes:

# 100 Line

## 104 Half Cylinder Sconce

The Gardco 104 half-cylinder high performance sconces are architecturally refined luminaires designed to integrate naturally to wall surfaces. The 104 provides a choice of three (3) highly efficient downlight optical systems. Each luminaire is designed to accept HID sources up to 175MH, and Compact Fluorescent up to (2) 42 watt. Housings are sealed throughout, completely excluding moisture, dust, insects and contaminants. 104 luminaires installed in the normal downlight position, with a flat glass lens, provide full cutoff performance.



PREFIX	DISTRIBUTION	WATTAGE	VOLTAGE	FINISH	OPTIONS
104	WT	100CMHE	UNIV		

Enter the order code into the appropriate box above. Note: Gardco reserves the right to refuse a configuration. Not all combinations and configurations are valid. Refer to notes below for exclusions and limitations. For questions or concerns, please consult the factory.

**PREFIX**

104	Half Cylinder
104EM	Emergency Sconce
104EMR	Remote Emergency Sconce

**DISTRIBUTION**

FT	Forward Throw Not Available with Fluorescent
WT	Wide Throw Not Available with Fluorescent
MT	Medium Throw

Refer to configuration chart below for available combinations.

### WATTAGE AND VOLTAGE

**LAMP / VOLTAGE CHART - 104**

HID*	Voltage					
	120	208	240	277	347	480
60CMPE	.	.	200 - 277	.	.	.
50MH	.	.	.	.	.	.
70MH	.	.	.	.	.	.
100MH	.	.	.	.	.	.
150MH	.	.	.	.	.	.
175MH**	.	.	.	.	.	.
50CMHE <sup>1</sup>	UNIV					
70CMHE <sup>1</sup>	UNIV					
100CMHE <sup>1</sup>	UNIV					
35HPS	.	.	.	.	.	.
50HPS	.	.	.	.	.	.
70HPS	.	.	.	.	.	.
100HPS	.	.	.	.	.	.
150HPS	.	.	.	.	.	.
Fluorescent						
26QF <sup>1</sup>	UNIV					
226QF <sup>1</sup>	UNIV					
32TRF <sup>1</sup>	UNIV					
232TRF <sup>1,2,4</sup>	UNIV					
42TRF <sup>1</sup>	UNIV					
242TRF <sup>1,2,4</sup>	UNIV					

**60CMPE**  
60 Watt CosmoPolis™ high performance electronic ceramic MH lamp and ballast system.  
Available in FT, WT and MT  
Available 120V or 200V - 277V only.

\* MH, CMHE and HPS types require medium based E17 lamps. All MH 150W and below are pulse start by design, including CMHE types.

\*\* 175MH not available for sale in the United States.

MH - Metal Halide  
CMHE - Ceramic Metal Halide with Electronic Ballast  
HPS - High Pressure Sodium  
TRF - Triple Tube Fluorescent  
QF - Quad Fluorescent

Combinations marked with a dot, shown with "UNIV" or "200-277" are available for ordering.

**CONFIGURATION CHART - 104EM<sup>1</sup>**

Fluorescent	Distribution			Voltage					
	FT	WT	MT	120	208	240	277	347	480
226QF <sup>1</sup>	.	.	.	.	.	.	.	.	.
32TRF <sup>1</sup>	.	.	.	.	.	.	.	.	.
42TRF <sup>1</sup>	.	.	.	.	.	.	.	.	.

**CONFIGURATION CHART - 104EMR<sup>1</sup>**

Fluorescent	Distribution			Voltage					
	FT	WT	MT	120	208	240	277	347	480
226QF <sup>1,2,4</sup>	.	.	.	.	.	.	.	.	.
32TRF <sup>1</sup>	.	.	.	.	.	.	.	.	.
232TRF <sup>1,2,4</sup>	.	.	.	.	.	.	.	.	.
42TRF <sup>1</sup>	.	.	.	.	.	.	.	.	.
242TRF <sup>1,2,4</sup>	.	.	.	.	.	.	.	.	.

- Fluorescent and CMHE luminaires feature electronic ballasts that accept 120V through 277V, 50hz to 60hz, input. Specify "UNIV" voltage for 120V through 277V.
- One (1) lamp is powered in emergency mode with EM, and EMR types with the B84CC option.
- Available with ICE420 option, which powers two (2) lamps in emergency mode. ICE420 option only available with 226QF or 232TRF. CAUTION: Maximum battery pack input power for EMR units with ICE420 option is 100 watts (83 amps) when heating element is on. This is in addition to the normal input power for luminaire lamps and ballast.
- Available with I162 option, which powers two (2) lamps in emergency mode. Lamps are wired in parallel. In emergency mode, should one lamp become inoperable, the remaining lamp will operate with a minimum total initial output of 2,250 lumens.
- Refer to "104 Emergency Sconce Table" on page 3 for additional information.



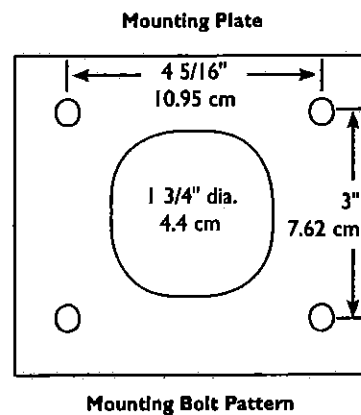
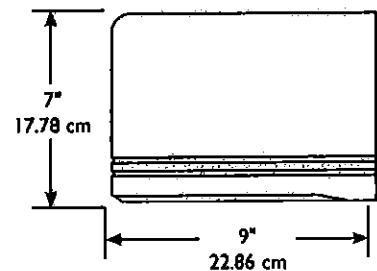
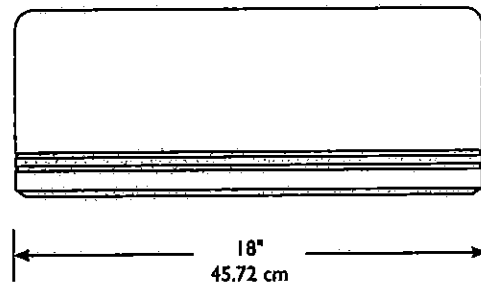
FINISH		OPTIONS	
<b>BRP</b>	Bronze Paint	<b>F<sup>6</sup></b>	Fusing
<b>BLP</b>	Black Paint	<b>PCB<sup>7</sup></b>	Button Type Photocontrol
<b>WP</b>	White Paint	<b>QS<sup>8</sup></b>	Quartz Standby
<b>NP</b>	Natural Aluminum Paint	<b>QST<sup>9</sup></b>	Quartz Standby - Timed Delay
<b>BGP</b>	Beige Paint	<b>Q924<sup>9</sup></b>	Quartz Emergency
<b>OC</b>	Optional Color Paint Specify Optional Color or RAL ex: OC-LGP or OC-RAL7024.	<b>QT924<sup>9</sup></b>	Quartz Emergency - Timed Delay
<b>SC</b>	Special Paint Specify. Must supply color chip.	<b>Q12V<sup>10,17</sup></b>	Quartz 12V Emergency
		<b>Q20MR<sup>10,17</sup></b>	(2)MR16 12V Emergency - 20 Watt
		<b>Q35MR<sup>10,17</sup></b>	(2)MR16 12V Emergency - 35 Watt
		<b>ELED<sup>16,17</sup></b>	(2)LED 12V Emergency Modules - 6.2 Watt
		<b>SL</b>	Solite <sup>®</sup> Diffusing Lens
		<b>UT</b>	5° Uptilt
		<b>WS<sup>11</sup></b>	Wall Mounted Box for Surface Conduit
		<b>WS/UT<sup>11</sup></b>	WS Option w/5° Uptilt
		<b>WG</b>	Wire Guard
		<b>L6<sup>15</sup></b>	Lumistep™ Ballast - 6 hour
		<b>L8<sup>15</sup></b>	Lumistep™ Ballast - 8 hour
		<b>L10<sup>15</sup></b>	Lumistep™ Ballast - 10 hour

6. 120V through 277V only
7. Not available with 480V.
8. HID only, Not available with CMHE Ballasts, FT Optics or in 480V. 100 watt Quartz maximum.
9. WT Optic only. 150w HID maximum, 100w Quartz maximum.
10. WT Optic only. 50CMHE or 70CMHE only. Supplied with two (2) 20W MR16 or two (2) 35W MR16 Flood (40° beam) lamps.
11. Rear entry permitted.
12. All Emergency Battery Packs for EMR types MUST be ordered with luminaires and supplied by Gardco.
13. CAUTION: Maximum battery pack input power for EMR units with ICE420 option is 100 watts (.83 amps) when heating element is on. This is in addition to the normal input power for luminaire lamps and ballast.
14. Lamps are wired in parallel. In emergency mode, should one lamp become inoperable, the remaining lamp will operate with a minimum total initial output of 2,250 lumens.
15. Available with CosmoPais™ system only. See submittal sheet CE200-005 for complete information on LumisStep™ ballasts.
16. WT Optic only. 50CMHE or 70CMHE only. Supplied with two (2) 6.2 watt, 300 lumen LED modules.
17. Requires a separate source of 12V power by others.

**EMR LUMINAIRES ONLY<sup>12</sup>**

- B84CG** Bodine Remote Emergency Pack
- ICE420<sup>13</sup>** IOTA Remote Emergency Battery Pack  
226QF / 232TRF only.
- I162<sup>14</sup>** IOTA Remote Emergency Battery Pack  
226QF / 232TRF / 242TRF only.

**DIMENSIONS**



Note: Mounting plate center is located in the center of the luminaire width and 3.5"(8.89cm) above the luminaire bottom (lens down position). Splices must be made in the J-box (by others). Mounting plate must be secured by max. 5/16" (.79cm) diameter bolts (by others) structurally to the wall.

**SPECIFICATIONS**

**GENERAL:** Each Gardco 104 luminaire is a wall mounted cutoff luminaire for high intensity discharge or compact fluorescent lamps. Internal components are totally enclosed in a rain-tight, dust-tight and corrosion resistant housing. The housing, back plate and door frame are die cast aluminum. Three (3) highly efficient downlight optical systems are available. Luminaires are suitable for wet locations (damp locations if inverted).

**HOUSING:** Housings are die cast aluminum. A memory retentive gasket seals the housing to the door frame to exclude moisture, dust, insects and pollutants from the optical system. Units feature a prismatic tempered glass top lens which is mechanically secured and silicone sealed. A black, die cast ribbed backplate dissipates heat for longer lamp and ballast life.

**DOOR FRAME:** A single-piece die cast aluminum door frame integrates to the housing form. The door frame is hinged closed and secured to the housing with two (2) captive stainless steel fasteners. The heat and impact resistant 1/8 (.32cm) tempered glass lens and one-piece gasket are mechanically secured to the door frame with four (4) galvanized steel retainers.

**OPTICAL SYSTEMS:** Reflectors are composed of specular extruded and faceted components, electropolished, anodized and sealed. Reflector segments are set in arc tube image duplicating patterns to achieve the wide throw, forward throw or medium throw downlight distributions.

**ELECTRICAL:**

**STANDARD LUMINAIRES:** Each high power factor HID core and coil ballast is the separate component type. For luminaires provided with CosmoPolis™, each high power factor ballast is electronic, designed specifically for the CosmoPolis™ high performance ceramic metal halide electronic system. All HID ballasts are capable of providing reliable lamp starting down to -20°F/-29°C. Standard fluorescent units have a starting temperature of 0°F/-18°C. Standard fluorescent ballasts are high power factor electronic solid state. Component-to-component wiring within the luminaire will carry no more than 80% of rated current and is listed by UL for use at 600 VAC at 150°C or higher. Plug disconnects are listed by UL for use at 600 VAC, 15A or higher.

**LUMINAIRES with Q924 / G12V / QMR20 / QMR35 / ELED OPTIONS:** Luminaires with the Q924 or QT 924 options require a separate source of 120V power (by others.) Luminaires with Q12V, Q20MR, Q35MR or ELED options require a separate source of 12V power (by others.)

**EMERGENCY LUMINAIRES:** All emergency luminaires feature an indicator light visible through the lens and a test switch accessible through the door assembly. Minimum battery pack ambient temperatures are as indicated in the 104 Emergency Sconce Table. In the event of a power interruption, emergency luminaires will power compact fluorescent lamps as indicated in the 104 Emergency Sconce Table at reduced light levels for a minimum of 90 minutes.

**EMR LUMINAIRES** include a 7.5'/2.29m, 12 wire, quick disconnect assembly for wiring through conduit (by others) to a B84CG, 1162 or ICE420 fluorescent emergency battery pack. The fluorescent emergency battery pack **MUST** be supplied by Gardco. The B84CG, 1162 or ICE420 option required on the order to the factory.

**CAUTION:** Maximum battery pack input power for EMR units with ICE420 option is 100 watts (.83 amps) when heating element is on. This is in addition to the normal input power for luminaire lamps and ballast.

104 Emergency Luminaire	Battery Pack Min. Ambient Temperature	Lamps Powered in Emergency Mode
104EM (Integral)	32°F / 0°C	(1) 26, (1) 32, or (1) 42 Watt Compact Fluorescent Lamp
104EMR (Remote) with B84CG Option	32°F / 0°C	
104EMR (Remote) with 1162 Option <sup>19</sup>	32°F / 0°C	(2) 26, (2) 32, or (2) 42 Watt Compact Fluorescent Lamps
104EMR (Remote) with ICE420 Option <sup>20</sup>	0°F / -18°C	(2) 26, or (2) 32 Watt Compact Fluorescent Lamps

**Notes:**

18. See Gardco Emergency Light Output Information (79115-155) for emergency lumen output data.
19. Lamps are wired in parallel. In emergency mode, should one lamp become inoperable, the remaining lamp will operate with a minimum total initial output of 2,250 lumens.
20. **CAUTION:** Maximum battery pack input power for EMR units with ICE420 option is 100 watts (.83 amps) when heating element is on. This is in addition to the normal input power for luminaire lamps and ballast.

**LAMPHOLDER:** Pulse rated medium base sockets are glazed porcelain with nickel plated screw shell. Fluorescent sockets are high temperature (PBT) with brass contacts.

**FINISH:** Each standard color luminaire receives a fade and abrasion resistant, electrostatically applied, thermally cured, triglycidal isocyanurate (TGIC) textured polyester powdercoat finish. Standard colors are as listed. Consult factory for specs on custom colors.

**LABELS:** All luminaires bear UL or CUL (where applicable) labels, except as noted. Lens down application is Wet Location and lens up is Damp Location. Emergency luminaires do not bear CUL label.

**WARRANTY:** Gardco luminaires feature a 5 year limited warranty. See Warranty Information on [www.sitelighting.com](http://www.sitelighting.com) for complete details and exclusions. Polycarbonate lenses carry a 1 year warranty only.

**FULL CUTOFF PERFORMANCE:** Full cutoff performance means a luminaire distribution where zero candela intensity occurs at an angle at or above 90° above nadir. Additionally, the candela per 1000 lamp lumens does not numerically exceed 100 (10 percent) at a vertical angle of 80° above nadir. This applies to all lateral angles around the luminaire.

**CUTOFF PERFORMANCE:** Cutoff performance means a luminaire distribution where the candela per 1000 lamp lumens does not numerically exceed 25 (2.5 percent) at an angle at or above 90° above nadir, and 100 (10 percent) at a vertical angle of 80° above nadir. This applies to all lateral angles around the luminaire.

Date: \_\_\_\_\_ Type: \_\_\_\_\_

Firm Name: \_\_\_\_\_

Project: \_\_\_\_\_



## eW Burst Powercore

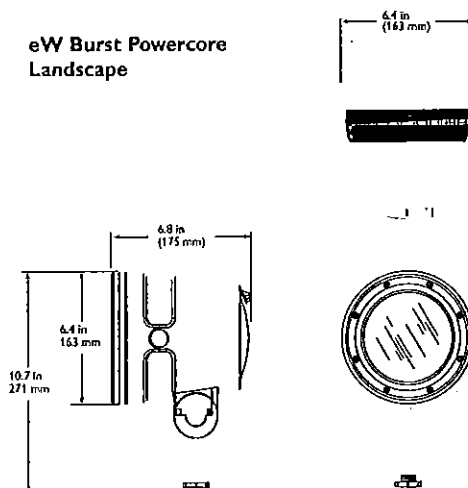
41° spread lens

High-output, exterior white spotlight for accent and site lighting

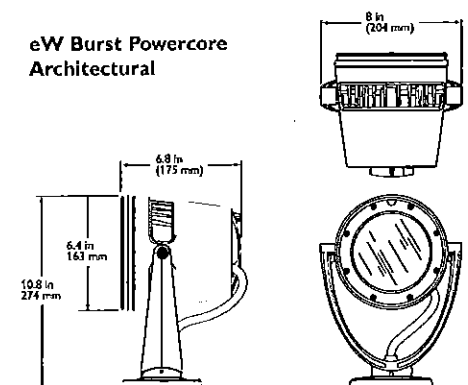
eW<sup>®</sup> Burst Powercore is a high-output, exterior-rated LED lighting fixture designed for accent and site lighting. Architectural and Landscape versions deliver high-quality white light output in a warm 2700 K and a neutral 4000 K, as well as four solid colors (Red, Green, Blue, and Amber) to support a range of uplighting, floodlighting, and decorative lighting applications.

- Integrates patented Powercore<sup>®</sup> technology — Powercore rapidly, efficiently, and accurately controls power output to fixtures directly from line voltage, eliminating the need for an external power supply. Contractor-friendly installation dramatically simplifies installation and lowers total system cost.
- Flexible mounting in architectural applications — Architectural fixtures feature an integrated yoke with canopy base for mounting to standard US junction boxes or directly to a flat surface or substrate as local codes permit.
- Support for a wide range of landscape applications — Landscape fixtures feature a 1/2 in (13 mm) NPT threaded post for mounting to standard junction boxes and third-party mounting accessories such as stanchion mounts, posts, and stakes for use in softscape and hardscape applications.
- Exchangeable optics and accessories — Available 14°, 23°, 41°, and asymmetric 10° x 41° spread lenses project a soft-edge beam to support a wide range of lighting applications. Native 8° beam angle offers extended light projection. Available glare shields block spill light, while honeycomb louvers limit the spread of light for a more focused and intense beam.
- Versatile light positioning — Fixtures can tilt through a full 180°. Architectural fixtures can also rotate through a full 360° for precise aiming. Locking screws accept standard hex wrenches to secure fixtures firmly in position.
- Universal power input range — Accepts a universal power input range of 100 to 277 VAC, allowing the installation of multiple units in a continuous run.

eW Burst Powercore  
Landscape



eW Burst Powercore  
Architectural



- Dimming capability — Patented DIMand<sup>®</sup> technology offers smooth dimming capability with many three-wire electronic low voltage (ELV) dimmers for all input voltages.
- Outdoor rated — With a rugged, die-cast aluminum housing fully sealed for maximum fixture life and IP66-rated for outdoor applications, eW Burst Powercore is ideal for use in damp or wet locations.

For detailed product information, please refer to the eW Burst Powercore Product Guide at [www.colorkinetics.com/ls/essentialwhite/ewburstpc/](http://www.colorkinetics.com/ls/essentialwhite/ewburstpc/).

# PHILIPS



## Specifications

Due to continuous improvements and innovations, specifications may change without notice.

Item	Specification	Details
	Beam Angle	41°
	Lumens†	991 (2700 K) 1240 (4000 K)
Output	Efficacy (lm / W)	33.8 (2700 K) 41.3 (4000 K)
	CRI	82.6 (2700 K) 80.6 (4000 K)
	Lumen Maintenance‡	90,000 hours L70 @ 25° C 45,000 hours L70 @ 50° C 120,000 hours L50 @ 25° C 70,000 hours L50 @ 50° C
	Input Voltage	100 – 277 VAC, auto-switching, 50 / 60 Hz
Electrical	Power Consumption	30 W maximum at full output, steady state
	Power Factor	.978 (2700 K) .975 (4000 K)
Control	Dimming	Compatible with many commercially available ELV, trailing edge, or reverse-phase control dimmers*
	Dimensions (Height x Width x Depth)	10.8 x 8.0 x 6.8 in (274 x 204 x 175 mm) Architectural 10.7 x 6.4 x 6.8 in (271 x 163 x 175 mm) Landscape
	Weight	11 lb (5 kg) Architectural 7.4 lb (3.4 kg) Landscape
	Housing	Die-cast aluminum, powder-coated finish
Physical	Lens	Tempered glass
	Fixture Connections	Unified power cable with three flying leads
	Operating Temperature	-40° – 122° F (-40° – 50° C) Operating -4° – 122° F (-20° – 50° C) Startup -40° – 176° F (-40° – 80° C) Storage
	Humidity	0 – 95%, non-condensing
Certification and Safety	Certification	UL / eUL, FCC Class A, CE
	LED Class	Class 2 LED product
	Environment	Dry / Damp / Wet Location, IP66

† Lumen measurement complies with IES LM-79-08 testing procedures



‡ L70 = 70% maintenance of lumen output (when light output drops below 70% of initial output).

L50 = 50% maintenance of lumen output (when light output drops below 50% of initial output).

Ambient temperatures specified. Based on measurements that comply with IES LM-80-08 testing procedures. See [www.colorkinetics.com/support/appnotes/lm-80-08.pdf](http://www.colorkinetics.com/support/appnotes/lm-80-08.pdf) for more information.

\* See [www.colorkinetics.com/support/appnotes/notes/AN-eW\\_Dimming.pdf](http://www.colorkinetics.com/support/appnotes/notes/AN-eW_Dimming.pdf) for specific details

## Fixtures and Accessories

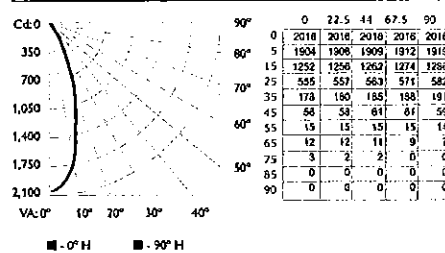
Item	Type	Item Number	Philips 12NC
	Landscape	523-000036-00	910503700694
eVW Burst Powercore, 2700 K	Architectural (UL / cUL)	523-000036-02	910503700744
	Architectural (CE)	523-000036-04	910503701122
eW Burst Powercore, 4000 K	Landscape	523-000036-01	910503700695
	Architectural (UL / cUL)	523-000036-03	910503700743
	Architectural (CE)	523-000036-05	910503701123
	14°	120-000080-00	910503700609
Spread Lenses	23°	120-000080-01	910503700610
	41°	120-000080-02	910503700611
	10° x 41° asymmetric	120-000080-03	910503700612
Trim Ring		120-000103-00	910503701212
45° Glare Shield		120-000103-01	910503701213
Full Height Glare Shield		120-000103-02	910503701214
Honeycomb Louver		120-000104-00	910503701215

Use Item Number when ordering in North America.

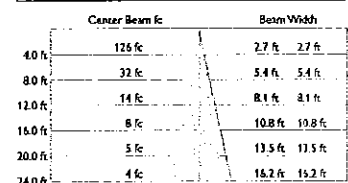
## Photometrics

### 2700 K, 41° spread lens

#### Polar Candela Distribution



#### Illuminance at Distance

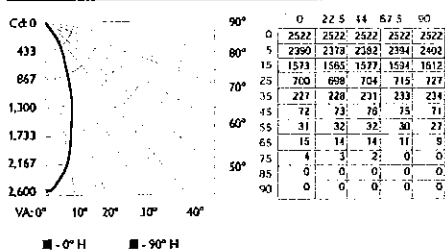


45 ft (13.7 m) 1 fc maximum distance  
 ■ Vert. Spread: 37.3°  
 ■ Horiz. Spread: 37.3°

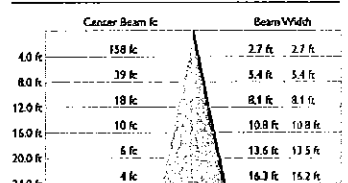
Lumens 991  
 Efficacy 33.8 lm / W  
 For lux multiply fc by 10.7

### 4000 K, 41° spread lens

#### Polar Candela Distribution



#### Illuminance at Distance



50.3 ft (15.3 m) 1 fc maximum distance  
 ■ Vert. Spread: 37.4°  
 ■ Horiz. Spread: 37.4°

Lumens 1240  
 Efficacy 41.3 lm / W  
 For lux multiply fc by 10.7



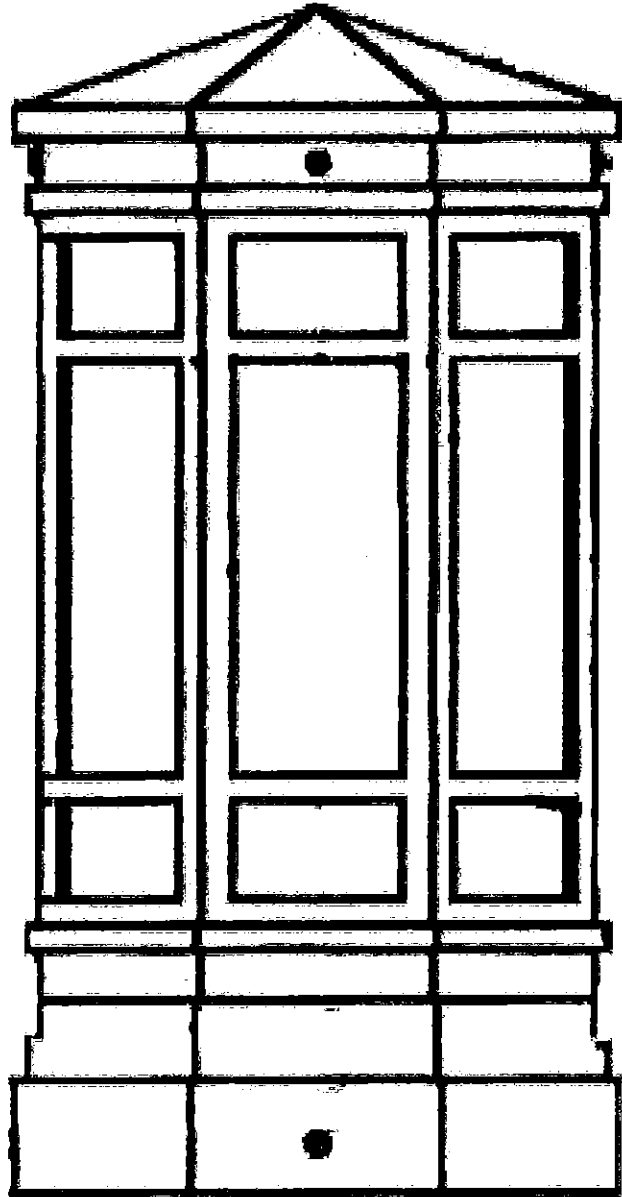
Philips Color Kinetics  
 3 Burlington Woods Drive  
 Burlington, Massachusetts 01803 USA  
 Tel 888.385.5742  
 Tel 617.423.9999  
 Fax 617.423.9998  
[www.colorkinetics.com](http://www.colorkinetics.com)

Copyright © 2010 Philips Solid-State Lighting Solutions, Inc. All rights reserved.  
 Chromacore, Chromatic, CK, the CK logo, Color Kinetics, the Color Kinetics logo, ColorBlast, ColorBlaze, ColorBurst, ColorGraze, ColorPlay, ColorReach, iW Reach, eW Reach, DiMand, EssentialWhite, eW, iColor, iColor Cove, IntelliWhite, iW, iPlayer, Optibin, and Powercore are either registered trademarks or trademarks of Philips Solid-State Lighting Solutions, Inc. in the United States and / or other countries. All other brand or product names are trademarks or registered trademarks of their respective owners. Due to continuous improvements and innovations, specifications may change without notice.  
 DAS-000032-04 R00 05-10

F14

PREV

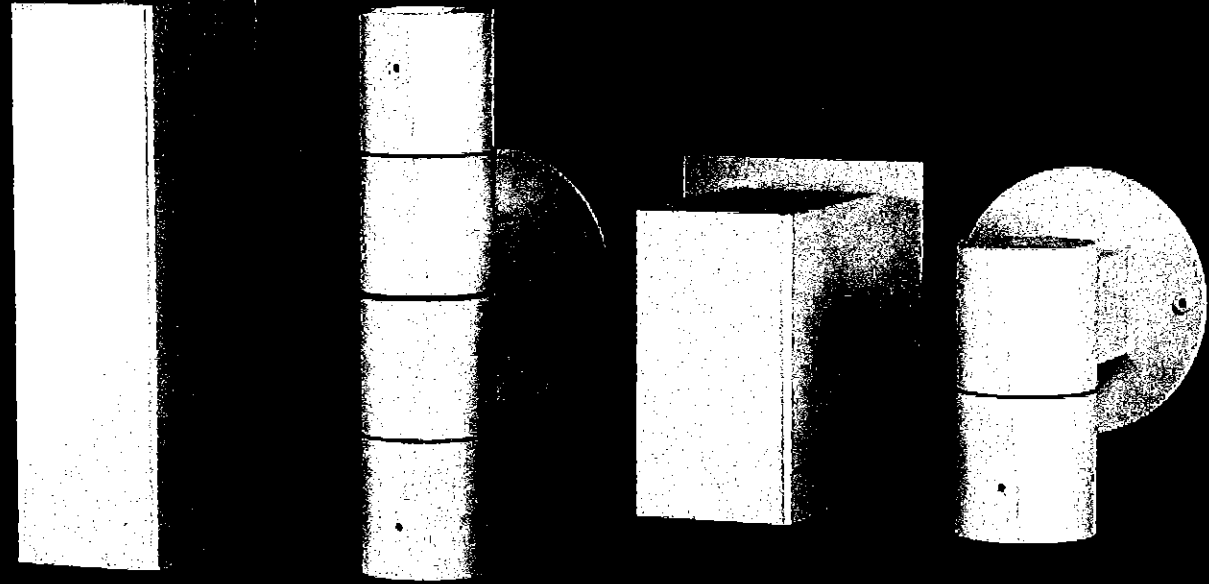
NEXT



Lantern 3272-2  
Image 416 of 702

CLOSE X

LED • wall



WESTWOOD 904

- Fixed single up or downlight or dual up and downlight wall fixtures
- 12V MR16 Style LED Module
- Coverplate for direct electrical box mounting
- Optional metal shroud and square backplate



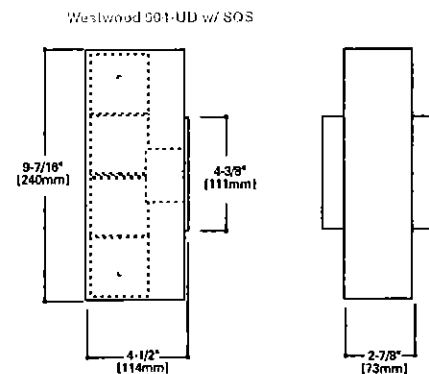
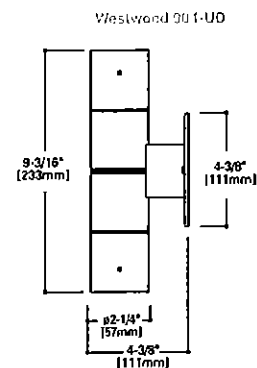
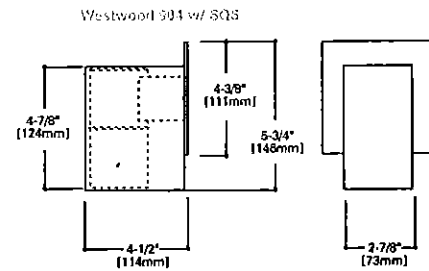
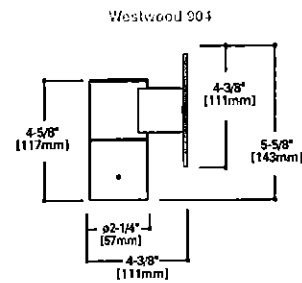
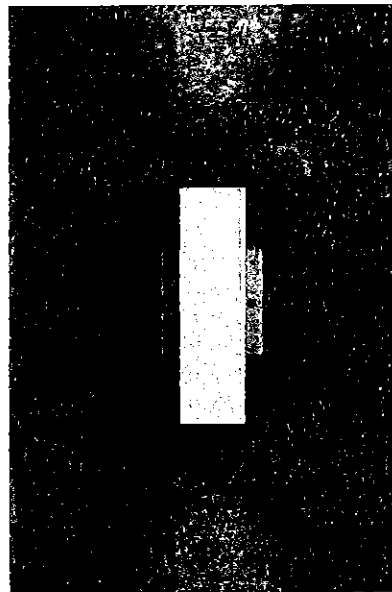
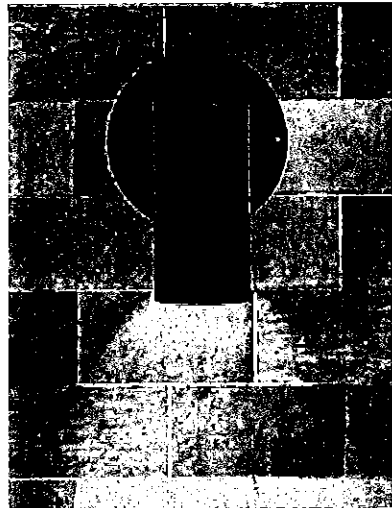
LED • wall

Lumière's Westwood Wall Series fixtures with LED technology

WESTWOOD 904

Westwood 904 is ultra-compact low voltage fixture for use with Lumière's MR16 style LED module. The 904 provides downlight or uplight by way of the 180° rotational fixture head. The 904-UD provides fixed up and down light simultaneously. Both fixtures mount directly to any wall surface or over a standard 4" J-box and require a remote 12V step-down transformer (not included).

Lumière's new square shroud option is available for both single and dual head fixtures. The square shroud option comes standard with a square backplate. The square shroud option must be ordered at the same time as the fixture.



ORDERING

- FIXTURE**  
 904 = Westwood straight uplight or downlight fixture  
 904-UD = Westwood straight up & down light  
 904-SQ = Westwood straight uplight or downlight fixture with square shroud  
 904-SQ-UD = Westwood straight up & down light with square shroud

- SOURCE**  
 12WLEDS = 12W Warm LED Spot  
 12WLEDS = 12W Neutral LED Spot  
 12WLEDS = 12W Cool LED Spot  
 12WLEDN = 12W Warm LED Narrow  
 12WLEDN = 12W Neutral LED Narrow  
 12WLEDN = 12W Cool LED Narrow  
 12WLEDW = 12W Warm LED Wide  
 12WLEDW = 12W Neutral LED Wide  
 12WLEDW = 12W Cool LED Wide

- Note:**  
 Warm = 3000K  
 Neutral = 4750K  
 Cool = 7500K  
 Spot = 7 degrees  
 Narrow = 20 degrees  
 Wide = 25 degrees

- VOLTAGE (Magnetic Transformers Only)**  
 12 = 12 Volt Remote Transformer Required (not included)

**FINISH**

- Painted*  
 BK = Black  
 BZ = Bronze  
 CS = City Silver  
 VE = Verde  
 WT = White

*Metal*

- NBR = Brass  
 NBZ = Bronze  
 NCP = Copper  
 NSS = Stainless Steel

**OPTIONS**

When specifying an up/down fixture and different color temperatures or beam angles are required within the same fixture, add a second source call out (12WLEDS). The first source call out specifies the up light LED and the second source call out specifies the down light. If no second source is specified, it is assumed that both sources are the same.

As an example 904-UD-12WLEDS-12WLEDW-12-BK would be an up/down 904 with the uplight being a warm spot and the downlight being a warm wide.



PROJECT NAME:

TYPE:

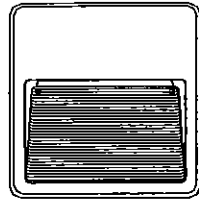
CATALOG #:

Specifications and dimensions subject to change without notice.

Notes:	Job:
	Type:

# 94 LINE

## 946 SQUARE RECESSED AISLE LIGHTS



F18

**GENERAL DESCRIPTION:** The Gardco 946 high output recessed aisle lights are architecturally styled luminaires precisely constructed of cast aluminum. The 946 is specifically designed to incorporate state of the art high lumen per watt H.I.D. sources to 100W. Precisely positioned microbaffles ensure minimal faceplate brightness. A field convertible junction box further enhances its design flexibility. Self-compensating silicone gasketing completely excludes moisture, insects and contaminants. An optional cast guard provides added vandal protection to the horizontal aperture.

ORDERING					
PREFIX	WALL TYPE	LAMP	VOLTAGE	FINISH	OPTIONS
946	C	50MH	UNIV		

Enter the order code into the appropriate box above. Note: Gardco reserves the right to refuse a configuration. Not all combinations and configurations are valid. Refer to notes below for exclusions and limitations. For questions or concerns, please consult the factory.

PREFIX	WALL TYPE	LAMP																
<p><b>946</b></p> <p style="font-size: x-small; margin-top: 10px;">NOTE: Back housings for concrete pour applications (Types C) are available for pre-shipment. Contact factory for details.</p>	<p><b>D Drywall</b>  <i>Not suitable for concrete pour applications. Also, if insulating material is present, it must be kept at least 3" away from luminaire. Type D units are thermally protected.</i></p> <p><b>C Concrete Pour</b>  <i>Suitable for concrete pour applications only.</i></p>	<table style="width: 100%; font-size: x-small;"> <tr> <th style="text-align: left;">D Type</th> <th style="text-align: left;">C Type</th> </tr> <tr> <td>35 HPS<sup>1</sup> 26QF<sup>2,3</sup></td> <td>35 HPS<sup>1</sup> 50 MH</td> </tr> <tr> <td>50 HPS 32TRF<sup>2,3</sup></td> <td>50 HPS 70 MH</td> </tr> <tr> <td>50 MH 42TRF<sup>2,3</sup></td> <td>70 HPS 100 MH</td> </tr> <tr> <td></td> <td>100 HPS</td> </tr> <tr> <td></td> <td>26QF<sup>2,3</sup></td> </tr> <tr> <td></td> <td>32TRF<sup>2,3</sup></td> </tr> <tr> <td></td> <td>42TRF<sup>2,3</sup></td> </tr> </table> <p style="font-size: x-small; margin-top: 5px;">                     MH Metal Halide                      HPS High Pressure Sodium                      QF Quad Tube Fluorescent                      TRF Triple Tube Fluorescent                 </p> <p style="font-size: x-small; margin-top: 5px;">                     1. 120V only                      2. Suitable for 0°F starting temperature.                      3. 26QF, 32TRF and 42TRF types feature an electronic fluorescent ballast that accepts 120V through 277V, 50hz or 60hz input. Specify "UNIV" for 120V through 277V.                 </p>	D Type	C Type	35 HPS <sup>1</sup> 26QF <sup>2,3</sup>	35 HPS <sup>1</sup> 50 MH	50 HPS 32TRF <sup>2,3</sup>	50 HPS 70 MH	50 MH 42TRF <sup>2,3</sup>	70 HPS 100 MH		100 HPS		26QF <sup>2,3</sup>		32TRF <sup>2,3</sup>		42TRF <sup>2,3</sup>
D Type	C Type																	
35 HPS <sup>1</sup> 26QF <sup>2,3</sup>	35 HPS <sup>1</sup> 50 MH																	
50 HPS 32TRF <sup>2,3</sup>	50 HPS 70 MH																	
50 MH 42TRF <sup>2,3</sup>	70 HPS 100 MH																	
	100 HPS																	
	26QF <sup>2,3</sup>																	
	32TRF <sup>2,3</sup>																	
	42TRF <sup>2,3</sup>																	

VOLTAGE	FINISH	OPTIONS
<p>120</p> <p>277</p> <p>UNIV<sup>4</sup></p> <p style="font-size: x-small; margin-top: 10px;">4. 26QF, 32TRF and 42TRF types feature an electronic fluorescent ballast that accepts 120V through 277V, 50hz or 60hz input. Specify "UNIV" for 120V through 277V.</p>	<p><b>BRP</b> Bronze Paint</p> <p><b>BLP</b> Black Paint</p> <p><b>WP</b> White Paint</p> <p><b>NP</b> Natural Aluminum Paint</p> <p><b>OC</b> Optional Color Paint  <i>Specify RAL designation as shown ex: OC-RAL7024.</i></p> <p><b>SC</b> Special Color Paint  <i>Specify. Must supply color chip.</i></p>	<p><b>F</b> Fusing</p> <p><b>CG</b> Cast Guard over Lens</p>

# 94 LINE

## 946 SQUARE RECESSED AISLE LIGHTS

### SPECIFICATIONS

**FACEPLATE:** One-piece diecast aluminum, secured to housing with (2) recessed and captive hex head socket screws. Integral spring clips ensure positive grounding. Angled and recessed "scoop" with integral cast microbaffles. 1/8" thick flat tempered glass provides for vandal resistive and weathertight operation. Self compensating single piece silicone gasketing allows for varying wall thicknesses.

**HOUSING:** Corrosion-resistant cast aluminum construction.

**J-BOX:** The field convertible junction box is diecast aluminum. It is shipped factory-mounted to the back of housing. The box can be easily positioned on the bottom of the luminaire via two (2) phillips head screws. Each J-box includes three (3) threaded openings (one on each side and one on the bottom) that accommodate 3/4" conduit.

**REFLECTOR:** Specular Alzak® hammertone.

### ELECTRICAL

**FLUORESCENT UNITS:** Electronic high power factor ballast standard.

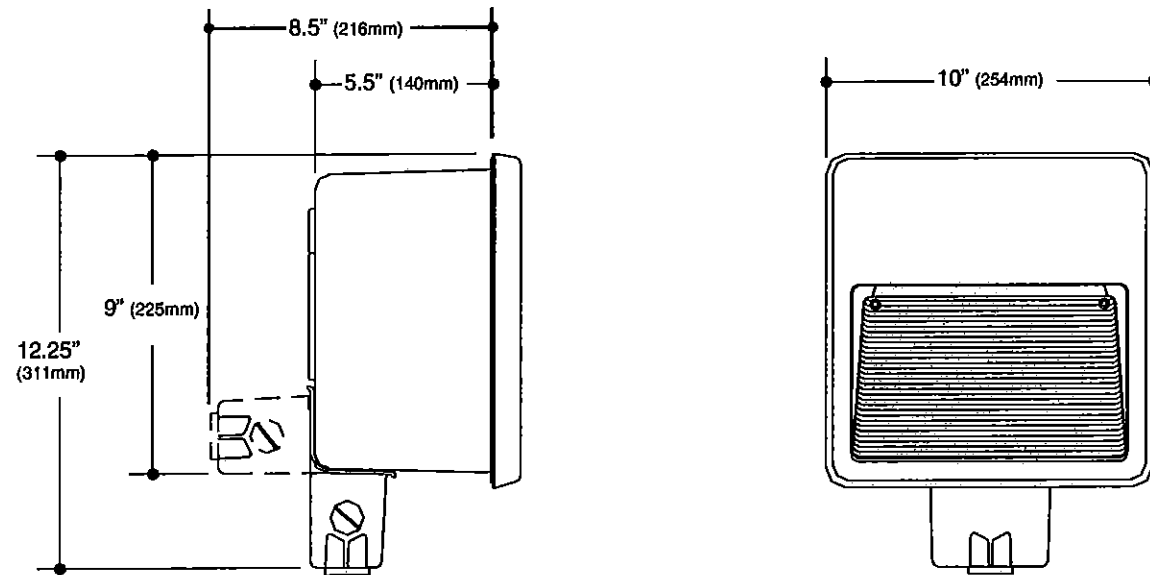
**H.I.D. UNITS:** Magnetic high power factor ballast. Suitable for -20° F starting temperature.

**FINISH:** Fade and abrasion resistant, electrostatically applied, thermally cured TGIC textured polyester powder coat.

**LABELS:** All luminaires bear UL or CUL (where applicable) Wet Location labels.

**WARRANTY:** Gardco luminaires feature a 5 year limited warranty. See Warranty Information on [www.sitelighting.com](http://www.sitelighting.com) for complete details and exclusions. Polycarbonate lenses carry a 1 year warranty only.

### DIMENSIONS





An Acuity Brands Company

IP67

# 8100 SERIES

## ADJUSTABLE WALL MOUNT 150W MAX HID 250W MAX QTZ. HALOGEN

### DESCRIPTION

The 8100 Series is a high performance compact precision lighting system that provides consistent styling with a variety of light distributions. Multiple optical systems provide a wide range of precise light control.

### FEATURES & SPECIFICATIONS

**MATERIAL:** Die cast copper free aluminum (A360) housing & doors.

**LAMP:** ED-17 medium base to 150W, Elliptical E27 base to 150W, T6 G12 base to 150W, T6 Cosmopolis to 140 watts, Quartz T4 Mini-can base to 250W

**REFLECTORS:** High purity anodized specular, semi-specular, or patterned lighting sheet in various configurations to provide optimum optical performance and uniformity. Reflectors are interchangeable with two screws. Consult factory for details.

#### LIGHT DISTRIBUTIONS:

**Figure A:** Area: IES Type II, IES Type III, IES Type IV & IES Type V.  
**Figure B:** Flood: Narrow Spot, Spot, Narrow Flood, Medium Flood, Flood, Wide Flood.

**LENS:** Flat tempered glass for maximum resistance to impact and thermal shock.

#### MOUNTING:

**AWM:** Cast aluminum wall mount plate for mounting over 4-0/4-S recessed J-Box. Refer to Installation Instruction for mounting foot print.  
**AWMDE:** Surface conduit direct entry available for thru branch wiring, 3/4" NPT drilling standard.

Receivers in wall mount plate allow fixture to be hung, freeing hands for electrical splices. Fixture head may be oriented up or down simply by loosening yoke screws and rotating fixture head 180°. Yoke housing allows fixture head to be aimed 20° up or down.

**GLARE CONTROL:** Internal elements provide unlimited versatility in beam control. House Side Shield available for External Glare Control.

**BALLAST:** High power factor magnetic core and coil standard. Electronic ballast optional.

**FINISH:** Textured TGIC powder coat polyester finish (see ordering guide for available colors)

**LISTING:** U.L., C.U.L., CE, NEMKO

**WEIGHT:** 26.5 lbs.

**EPA:** .56

**NOTE:** HYDREL RESERVES THE RIGHT TO MODIFY SPECIFICATION WITHOUT NOTICE. Any dimension on this sheet is to be assumed as a reference dimension: "Used for information purposes only. It does not govern manufacturing or inspection requirements." (ANSI Y14.5-1973)

TYPE		JOB NAME		
PART NUMBER				
Model	Lamp Type	Voltage	Distribution	Mounting
Accessories	Options	Lamp	Finish	Listing

Wall mount configuration accommodates +/- 20° aiming adjustment.

APPROVALS

# 8100 ORDERING INFORMATION

60 Hz Application

Choose the boldface catalog nomenclature that best suits your needs.

**PART NO.**

---



---



---

**EXAMPLE:**

<p><b>8100</b></p> <p><b>Model</b></p> <p><input type="checkbox"/> 8100</p>	<p><b>50M</b></p>	<p><b>120</b></p> <p><b>Voltage</b></p> <p><input type="checkbox"/> 120  <input type="checkbox"/> 208  <input type="checkbox"/> 240  <input type="checkbox"/> 277  <input type="checkbox"/> 347  <input type="checkbox"/> 120/277  <input type="checkbox"/> T8  <input type="checkbox"/> MVOLT<sup>2</sup>  <input type="checkbox"/> 208-277<sup>15</sup></p>	<p><b>FL</b></p>	<p><b>AWM</b></p> <p><b>Mounting</b></p> <p><input type="checkbox"/> <b>AWM</b> Adjustable Wall Mt  <input type="checkbox"/> <b>AWMDE</b> Adjustable Wall Mt Direct Entry</p>	<p><b>WRG</b></p>	<p><b>SF</b></p> <p><b>Options</b></p> <p><b>Photo Control</b></p> <p><input type="checkbox"/> <b>PE</b> Photo Cell</p> <p><b>Fusing</b></p> <p><input type="checkbox"/> <b>SF</b> Single Fuse  <input type="checkbox"/> <b>DF</b> Double Fuse</p> <p><b>Ballast</b></p> <p><input type="checkbox"/> <b>GEB</b><sup>11</sup> Generic Electronic Ballast</p>	<p><b>LPI</b></p> <p><b>Lamp</b></p> <p><input type="checkbox"/> <b>LPI</b> Lamp Included</p>	<p><b>BL</b></p> <p><b>Finish</b></p> <p><input type="checkbox"/> <b>BL</b> Black  <input type="checkbox"/> <b>BZ</b> Bronze  <input type="checkbox"/> <b>DDDB</b> Dark Bronze  <input type="checkbox"/> <b>DNA</b> Natural Alum.  <input type="checkbox"/> <b>GN</b> Green  <input type="checkbox"/> <b>GR</b> Gray  <input type="checkbox"/> <b>SND</b> Sand  <input type="checkbox"/> <b>STG</b> Steel Gray  <input type="checkbox"/> <b>TVG</b> Terra Verde Green  <input type="checkbox"/> <b>WH</b> White  <input type="checkbox"/> <b>CF</b> Custom Finish</p>
<p><b>Lamp Type</b></p> <p><b>INCANDESCENT<sup>1</sup></b></p> <p><input type="checkbox"/> 100Q T-4 MC  <input type="checkbox"/> 150Q T-4 MC  <input type="checkbox"/> 250Q T-4 MC</p> <p><b>MH</b></p> <p><input type="checkbox"/> 50M<sup>3</sup> ED17 Med.  <input type="checkbox"/> 70M<sup>3</sup> ED17 Med.  <input type="checkbox"/> 100M ED17 Med.  <input type="checkbox"/> 150M ED17 Med.  <input type="checkbox"/> 70CM<sup>3</sup> ED17 Med.  <input type="checkbox"/> 100CM ED17 Med.  <input type="checkbox"/> 70CMT6<sup>3</sup> T6 G12  <input type="checkbox"/> 150CMT6 T6 G12</p> <p><b>COSMOPOLIS<sup>14</sup></b></p> <p><input type="checkbox"/> 60CPO T6 PGZ12  <input type="checkbox"/> 90CPO T6 PGZ12  <input type="checkbox"/> 140CPO T6 PGZ12</p> <p><b>HPS</b></p> <p><input type="checkbox"/> 50S<sup>13</sup> E17 Med.  <input type="checkbox"/> 100S E17 Med.  <input type="checkbox"/> 150S E17 Med.</p> <p><b>Fluorescent<sup>2</sup></b></p> <p><input type="checkbox"/> 42TRT  <input type="checkbox"/> 2/42TRT<sup>9</sup></p>	<p><b>Distribution</b></p> <p><b>Flood Lights</b></p> <p><input type="checkbox"/> <b>NSP</b><sup>3</sup> Nar. Spot  <input type="checkbox"/> <b>SP</b> Spot  <input type="checkbox"/> <b>NFL</b> Nar. Flood  <input type="checkbox"/> <b>MFL</b> Med. Flood  <input type="checkbox"/> <b>FL</b> Flood  <input type="checkbox"/> <b>WFL</b> Wide Flood  <input type="checkbox"/> <b>VFL</b> Vert. Flood  <input type="checkbox"/> <b>HFL</b> Horz. Flood  <input type="checkbox"/> <b>VWFL</b><sup>12</sup> Very Wide Flood</p> <p><b>Area Lights</b></p> <p><input type="checkbox"/> <b>SR2</b> IES Type II  <input type="checkbox"/> <b>SR3</b> IES Type III  <input type="checkbox"/> <b>SR4SC</b> IES Type IV  <input type="checkbox"/> <b>SR5S</b> IES Type V</p>	<p><b>Accessories</b></p> <p><b>Internal</b></p> <p><input type="checkbox"/> <b>ISS</b><sup>5</sup> Internal Source Shield  <input type="checkbox"/> <b>CFAMB</b> Color Filter Amber  <input type="checkbox"/> <b>CFRED</b> Color Filter Red  <input type="checkbox"/> <b>CFBLU</b> Color Filter Blue  <input type="checkbox"/> <b>CFGRN</b> Color Filter Green</p> <p><b>External<sup>6</sup></b></p> <p><input type="checkbox"/> <b>HS</b><sup>5</sup> House Side Shield  <input type="checkbox"/> <b>WRG</b> Wire Rock Guard  <input type="checkbox"/> <b>BD</b> Barn Doors  <input type="checkbox"/> <b>FGS</b> Full Glare Shield  <input type="checkbox"/> <b>HGS</b> Half Glare Shield</p>						

**Notes:**

- <sup>1</sup> Incandescent models available with 120 Volt only.
- <sup>2</sup> MVOLT is standard on all Fluorescent lamps and MH lamps with GEB ballast option
- <sup>3</sup> Available for G12 & Mini-can bases only. NSP includes an ISS accessory.
- <sup>4</sup> Two fixtures per mounting.
- <sup>5</sup> Not valid with HFL, SR2, SR3, SR5S. Standard with NSP, VFL, SR4SC
- <sup>6</sup> Each option is mutually exclusive, choose one.
- <sup>7</sup> SF is only available with 120, 277 or 347 volts on HID only.
- <sup>8</sup> DF is only available with 208, 220 or 240 volts on HID only.
- <sup>9</sup> Not available with 220 Volt.
- <sup>10</sup> Only available with VWFL distribution.
- <sup>11</sup> Electronic ballasts are only available with MH and Cosmopolis lamps up to 150 watts.
- <sup>12</sup> Only valid with 2/42TRT lamps.
- <sup>13</sup> Only valid with 120 or 277 Volt.
- <sup>14</sup> Requires 120 or 208-277 volts and GEB ballast.
- <sup>15</sup> Only valid with Cosmopolis lamps.



# 8100 ORDERING INFORMATION

50 Hz Application

Choose the boldface catalog nomenclature that best suits your needs.

**PART NO.**

---



---



---

**EXAMPLE:**

<b>8100</b>	<b>70M</b>	<b>24050HZ</b>	<b>NSP</b>	<b>AWM</b>	<b>WRG</b>	<b>LPI</b>	<b>BL</b>	<b>IEC</b>
<b>Model</b>	<b>Voltage</b>	<b>Mounting</b>		<b>Lamp</b>		<b>Options</b>	<b>Listing</b>	
<input type="checkbox"/> 8100	<input type="checkbox"/> 22050HZ <input type="checkbox"/> 23050HZ <input type="checkbox"/> 24050HZ <input type="checkbox"/> MVOLT <sup>7</sup> (50 or 60 Hz)	<input type="checkbox"/> <b>AWM</b> Adjustable Wall Mt <input type="checkbox"/> <b>AWMDE</b> Adjustable Wall Mt Direct Entry		<b>Lamp</b> <input type="checkbox"/> <b>LPI</b> Lamp Included		<b>Ballast</b> <input type="checkbox"/> <b>GEB</b> <sup>6</sup> Electronic Ballast	<input type="checkbox"/> <b>IEC</b> International Electro-technical Commission	
<b>Lamp Type</b>		<b>Distribution</b>		<b>Accessories</b>			<b>Finish</b>	
<b>MH</b> <input type="checkbox"/> <b>70M</b> Elip. E27 <input type="checkbox"/> <b>100M</b> Elip. E27 <input type="checkbox"/> <b>150M</b> Elip. E27 <input type="checkbox"/> <b>70CMT6</b> T6 G12 <input type="checkbox"/> <b>150CMT6</b> T6 G12 <b>COSMOPOLIS</b> <sup>5</sup> <input type="checkbox"/> <b>60CPO</b> T6 PGZ12 <input type="checkbox"/> <b>90CPO</b> T6 PGZ12 <input type="checkbox"/> <b>140CPO</b> T6 PGZ12 <b>HPS</b> <input type="checkbox"/> <b>50S</b> Elip. E27 <input type="checkbox"/> <b>70S</b> Elip. E27		<b>Flood Lights</b> <input type="checkbox"/> <b>NSP</b> <sup>1</sup> Nar. Spot <input type="checkbox"/> <b>SP</b> Spot <input type="checkbox"/> <b>NFL</b> Nar. Flood <input type="checkbox"/> <b>MFL</b> Med. Flood <input type="checkbox"/> <b>FL</b> Flood <input type="checkbox"/> <b>WFL</b> Wide Flood <input type="checkbox"/> <b>VFL</b> Vert. Flood <input type="checkbox"/> <b>HFL</b> Horz. Flood <b>Area Lights</b> <input type="checkbox"/> <b>SR2</b> IES Type II <input type="checkbox"/> <b>SR3</b> IES Type III <input type="checkbox"/> <b>SR4SC</b> IES Type IV <input type="checkbox"/> <b>SR5S</b> IES Type V		<b>Internal</b> <input type="checkbox"/> <b>ISS</b> <sup>2</sup> Internal Source Shield <input type="checkbox"/> <b>CFAMB</b> Color Filter Amber <input type="checkbox"/> <b>CFRED</b> Color Filter Red <input type="checkbox"/> <b>CFBLU</b> Color Filter Blue <input type="checkbox"/> <b>CFGRN</b> Color Filter Green <b>External</b> <sup>3</sup> <input type="checkbox"/> <b>HS</b> <sup>4</sup> House Side Shield <input type="checkbox"/> <b>WRG</b> Wire Rock Guard			<input type="checkbox"/> <b>BL</b> Black <input type="checkbox"/> <b>BZ</b> Bronze <input type="checkbox"/> <b>DDB</b> Dark Bronze <input type="checkbox"/> <b>DNA</b> Natural Alum. <input type="checkbox"/> <b>GN</b> Green <input type="checkbox"/> <b>GR</b> Gray <input type="checkbox"/> <b>SND</b> Sand <input type="checkbox"/> <b>STG</b> Steel Gray <input type="checkbox"/> <b>TVG</b> Terra Verde Green <input type="checkbox"/> <b>WH</b> White <input type="checkbox"/> <b>CF</b> Custom Finish	

**Notes:**  
<sup>1</sup> Available for G12 & Mini-can bases only.  
 NSP includes an ISS accessory.  
<sup>2</sup> Not valid with HFL, SR2, SR3, SR5S. Standard with NSP, VFL, SR4SC  
<sup>3</sup> Each option is mutually exclusive, choose one.  
<sup>4</sup> HS only available with SR2 & SR3.  
<sup>5</sup> Cosmopolis lamps require 208-277 volt GEB.  
<sup>6</sup> GEB only available with MH or Cosmopolis lamps.  
<sup>7</sup> MVOLT not available with HPS lamps.