



Department of Public Works
Engineering Division
 Robert F. Phillips, P.E., City Engineer

City-County Building, Room 115
 210 Martin Luther King, Jr. Boulevard
 Madison, Wisconsin 53703
 Phone: (608) 266-4751
 Fax: (608) 264-9275
engineering@cityofmadison.com
www.cityofmadison.com/engineering

Assistant City Engineer
 Michael R. Dailey, P.E.

Principal Engineer 2
 Gregory T. Fries, P.E.
 Christopher J. Petykowski, P.E.

Principal Engineer 1
 Christina M. Bachmann, P.E.
 Eric L. Dundee, P.E.
 John S. Fahrney, P.E.

Facilities & Sustainability
 Jeanne E. Hoffman, Manager

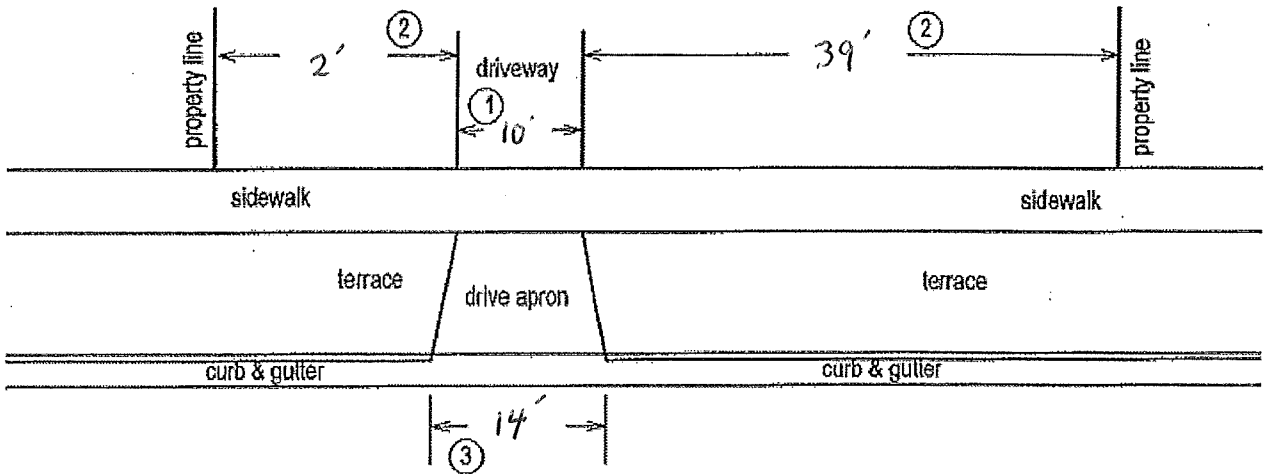
Operations Manager
 Kathleen M. Cryan

Mapping Section Manager
 Eric T. Pederson, P.S.

Financial Manager
 Steven B. Danner-Rivers

RESIDENTIAL DRIVEWAY OPENING REQUEST

The street which abuts your property is scheduled for reconstruction. Drive aprons will be removed and replaced. Abutting the sidewalk, the new drive apron will be constructed to the width of the driveway behind the property line. All new drive aprons will usually be flared 2 feet on each side of the curb opening. If you desire a change in the driveway location or dimensions, it is necessary that you complete the diagram below, sign, and return this form within two (2) weeks to the City Engineering Division, Room 115, City-County Building, Madison, Wisconsin, 53703.



This diagram is not to any scale. Please provide:

1. The width of the driveway;
2. The distances from the edge of the driveway to the property lines;
3. The width of the desired curb opening

Residential curb openings are usually equal to the width of the driveway behind the property line at the sidewalk and an additional four (4) feet at the curb. The additional width at the curb opening is provided to facilitate turns into the driveway from the street. The City Ordinances allow up to a 20-foot wide apron at the sidewalk if necessary and requested by the property owner. In the case of vacant lots, no driveway opening will be made unless this form is returned to the City Engineering Division with the necessary information.

If the requested drive apron is larger than what has been estimated on the attached schedule of assessments, I hereby request that the City of Madison include this additional cost in my assessment for the Street Improvement.

Street Address 4709 Turner Av

Phone No: 608 665 3563

Signed [Signature]
 Property Owner

Date Mar 26, 2016

This form is for a residential site only (a residential structure with 4 or less parking stalls). For additional information or questions, please contact the Project Engineer of the City Engineering Division at 266-4751.

LH