

Madison, Wisconsin

# CITY OF MADISON

## CITY ENGINEERING DIVISION

### DEPARTMENT OF PUBLIC WORKS

# PLAN OF PROPOSED IMPROVEMENT

# FORSYTHIA CUNETTE REPLACEMENT

PUBLIC IMPROVEMENT PROJECT APPROVED  
XXXXX  
BY THE COMMON COUNCIL  
OF MADISON, WISCONSIN

PUBLIC IMPROVEMENT DESIGN  
APPROVED BY:

City Engineer

Date

DESIGNED BY:

#### INDEX OF SHEETS

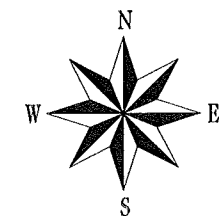
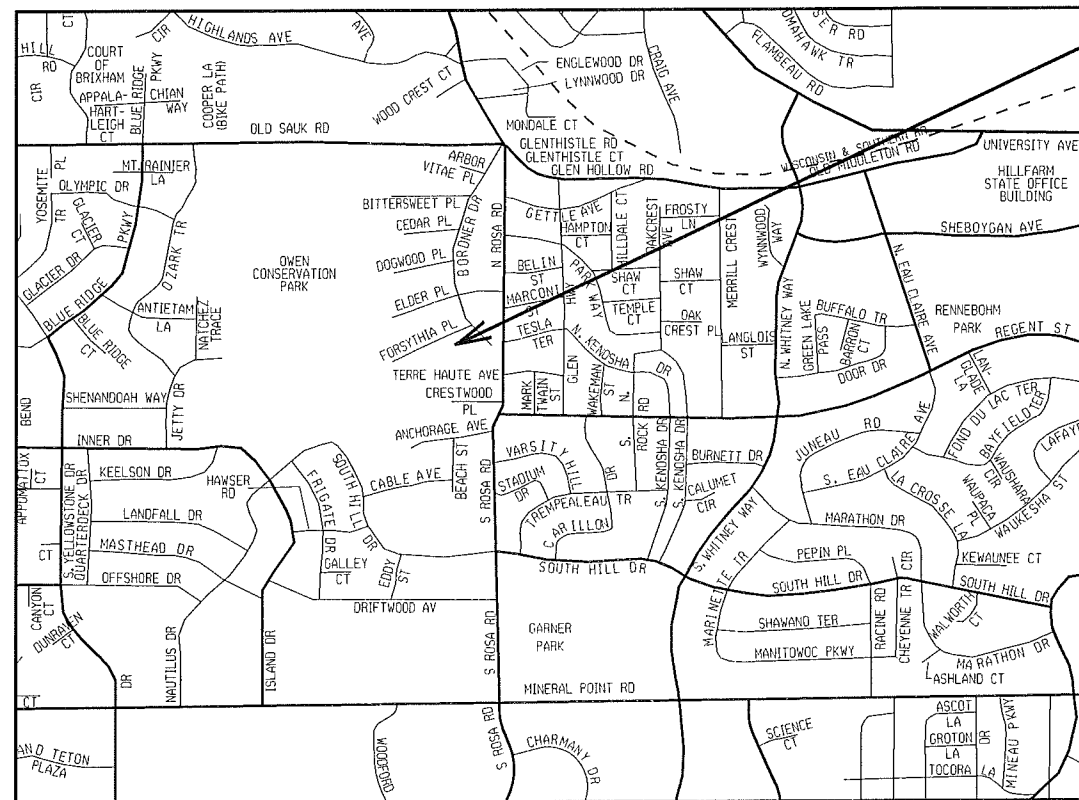
SHEET NO.	TITLE
1	EROSION CONTROL PLAN
EC1-EC3	DETAILS
D1	PLAN AND PROFILE SHEETS
P1-P3	

CITY PROJECT NO. 53W0942

CONTRACT NO. 6741

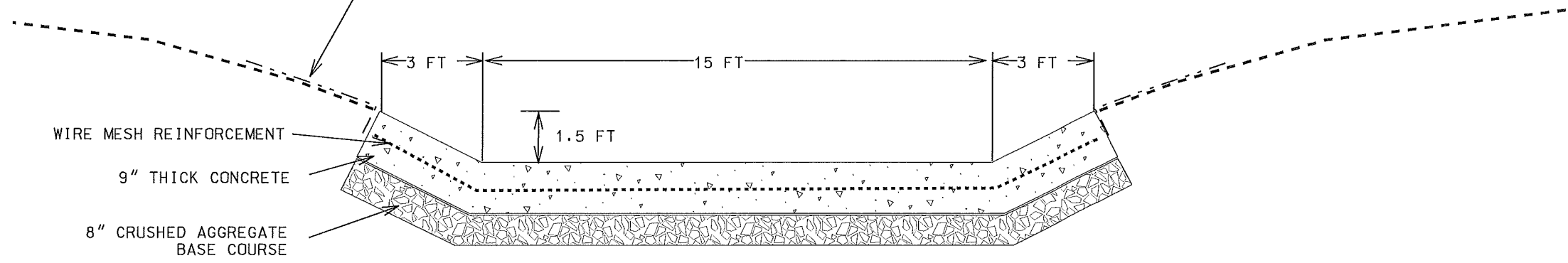
PROJECT LOCATION

CONVENTIONAL SIGNS	
FIELD VERIFY ALL UTILITY LOCATIONS	
GAS	— G —
STORM SEWER	— ST —
SANITARY SEWER	— SAN —
WATER	— W —
OVERHEAD ELECTRIC	— OH —
POWER POLE	
HANDICAP RAMP	
COMBUSTIBLE FLUIDS	



**NOT FOR CONSTRUCTION, ISSUED FOR PERMIT**

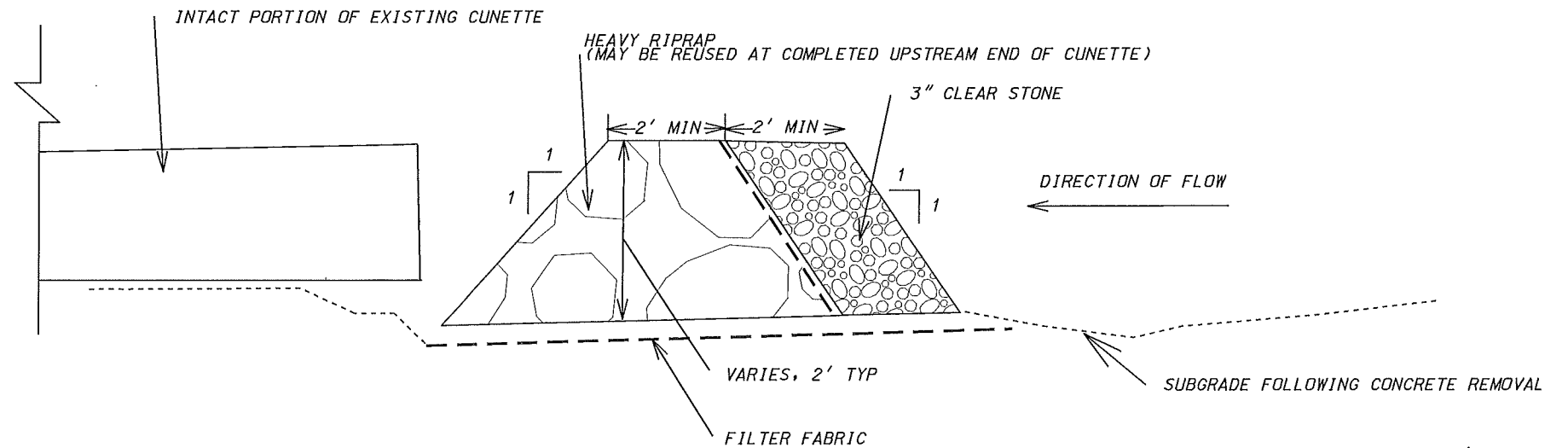
CLASS III TYPE C EROSION MAT, FILLED WITH TOPSOIL, SEEDED, AND COVERED WITH CLASS 1 URBAN TYPE A ECRM (BOTH SIDES OF CUNETTE)



TYPICAL SECTION CONCRETE CUNETTE

NOTES:

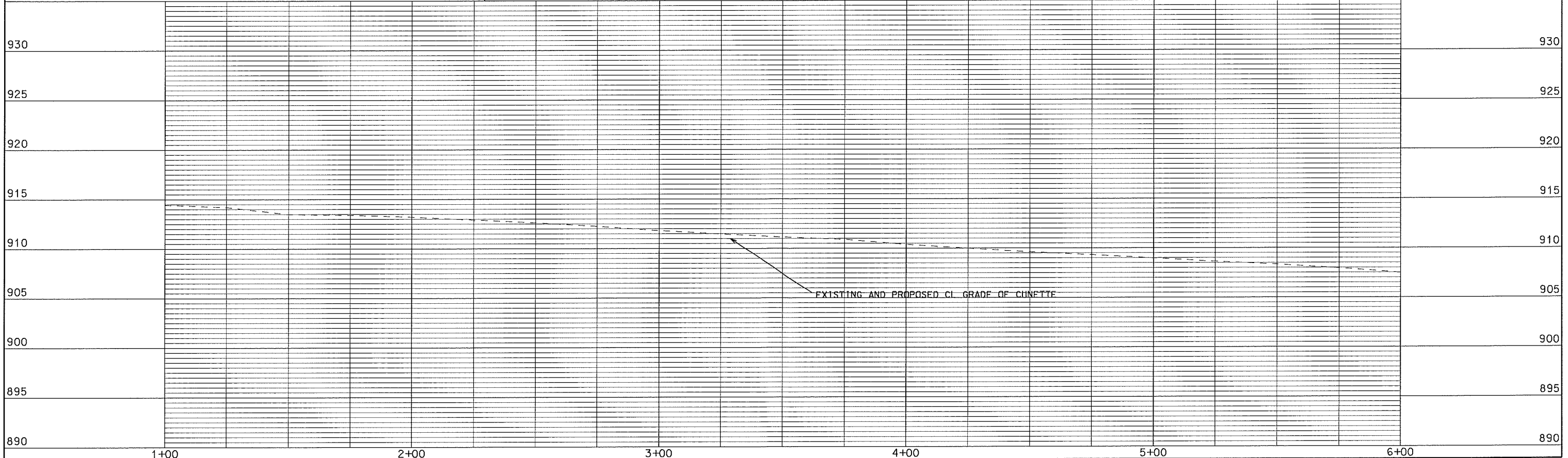
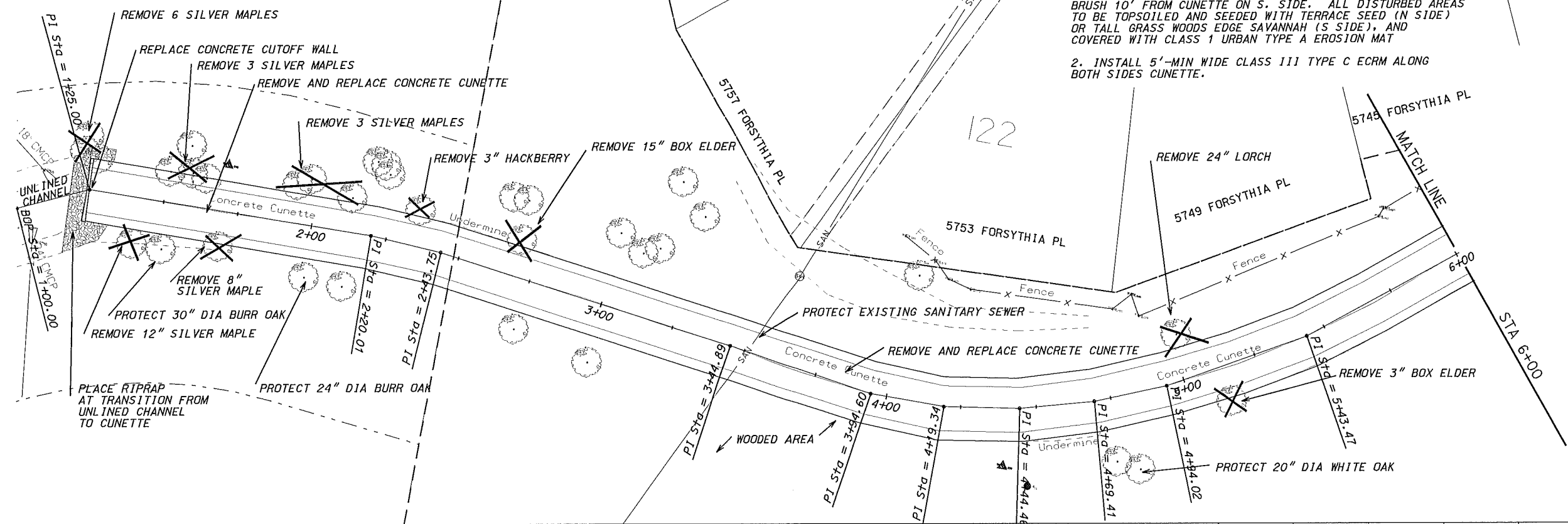
1. INCREASE DEPTH OF CUNETTE AT APPROACH TO BOX CULVERT (MATCH EXISTING DIMENSIONS).
2. ALL DISTURBED AREAS OUTSIDE OF CUNETTE TO BE STABILIZED WITH SEED, POLYMER, AND EROSION MATTING CLASS I URBAN TYPE A.
3. SEED MIXES INCLUDE TERRACE SEED (NORTH SIDE) AND TALL GRASS WOOD'S EDGE SAVANNAH (SOUTH SIDE).



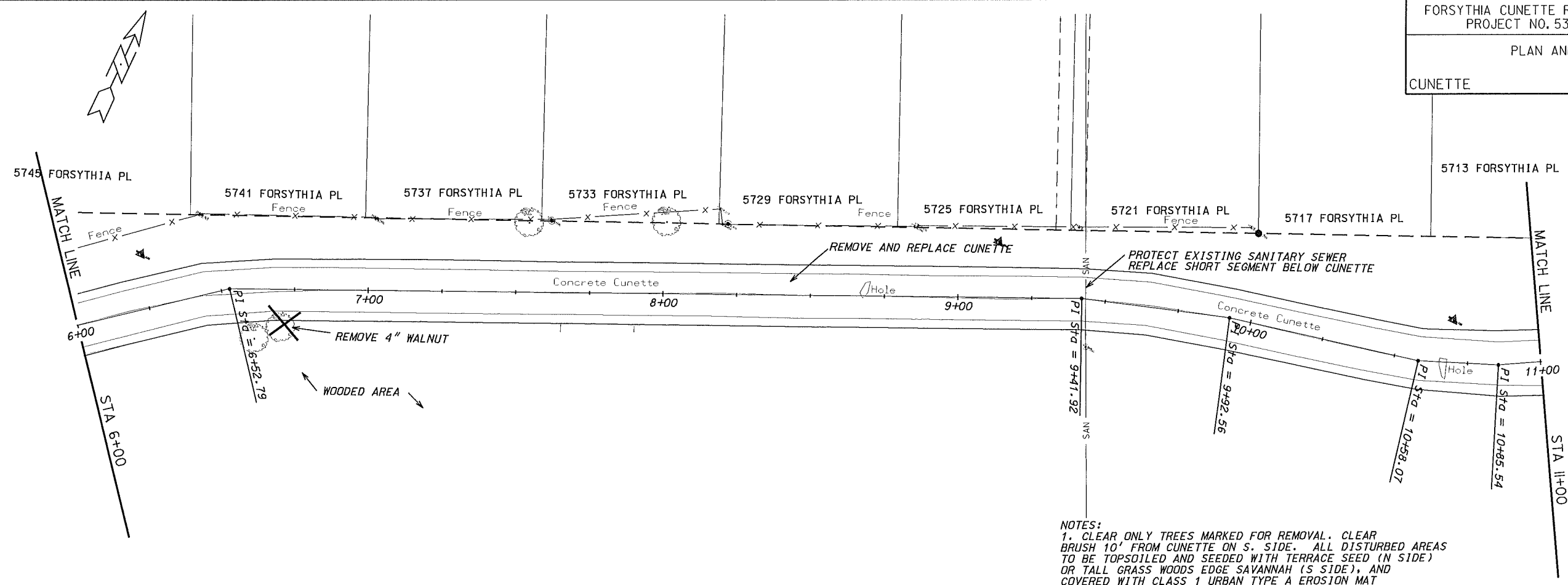
TEMPORARY DITCH CHECK DETAIL

NOT TO SCALE

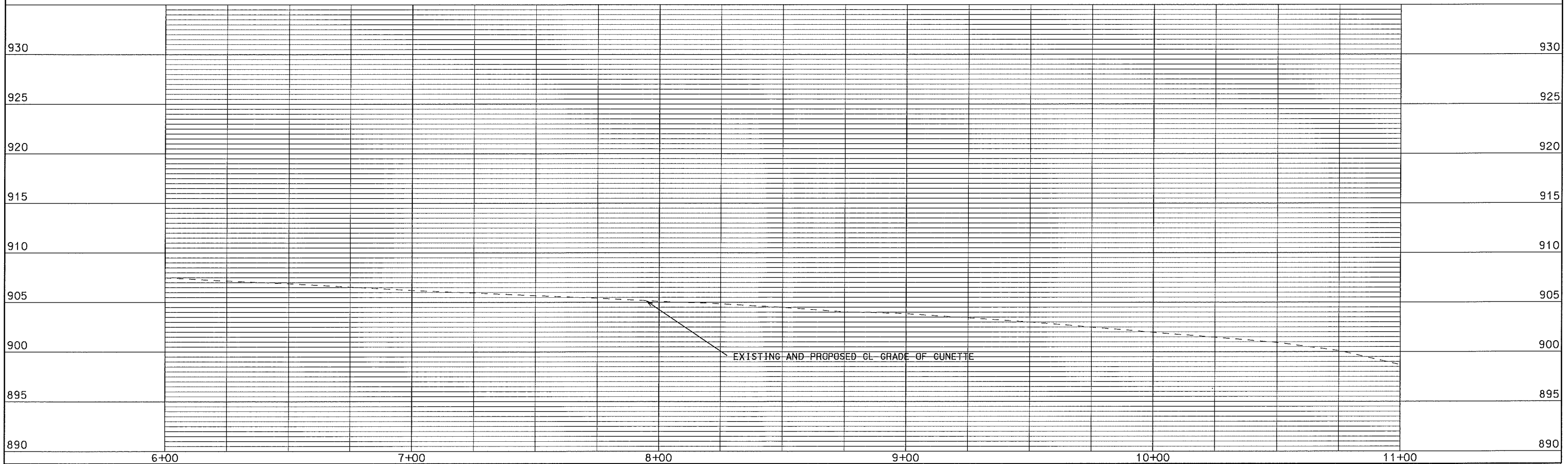
NOTES:  
 1. CLEAR ONLY TREES MARKED FOR REMOVAL. CLEAR BRUSH 10' FROM CUNETTE ON S. SIDE. ALL DISTURBED AREAS TO BE TOPSOILED AND SEEDED WITH TERRACE SEED (N SIDE) OR TALL GRASS WOODS EDGE SAVANNAH (S SIDE), AND COVERED WITH CLASS 1 URBAN TYPE A EROSION MAT  
 2. INSTALL 5'-MIN WIDE CLASS III TYPE C ECRM ALONG BOTH SIDES CUNETTE.



PLOT SCALE: \_\_\_\_\_  
 PLOT NAME: \_\_\_\_\_  
 REV. DATE: \_\_\_\_\_  
 ORIGINATOR: CITY OF MADISON, STREETS DIVISION



NOTES:  
1. CLEAR ONLY TREES MARKED FOR REMOVAL. CLEAR BRUSH 10' FROM CUNETTE ON S. SIDE. ALL DISTURBED AREAS TO BE TOPSOILED AND SEEDED WITH TERRACE SEED (N SIDE) OR TALL GRASS WOODS EDGE SAVANNAH (S SIDE), AND COVERED WITH CLASS 1 URBAN TYPE A EROSION MAT  
2. INSTALL 5'-MIN WIDE CLASS III TYPE C ECRM ALONG BOTH SIDES CUNETTE.

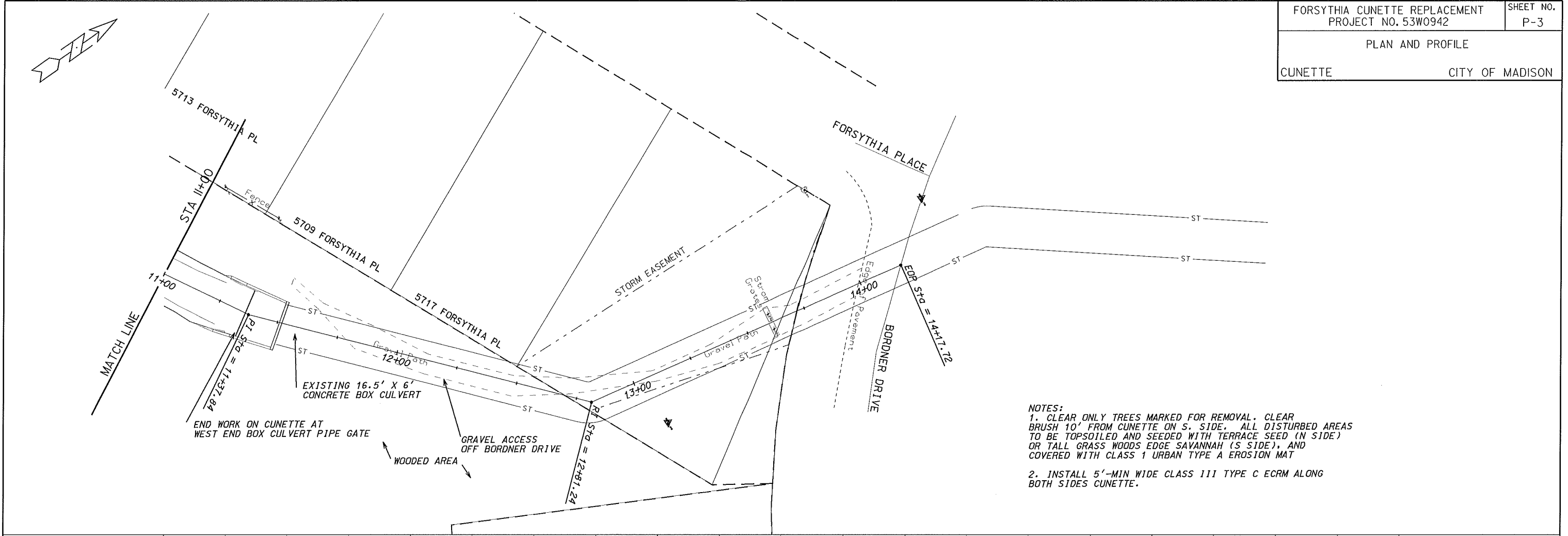


PLOT SCALE: \_\_\_\_\_

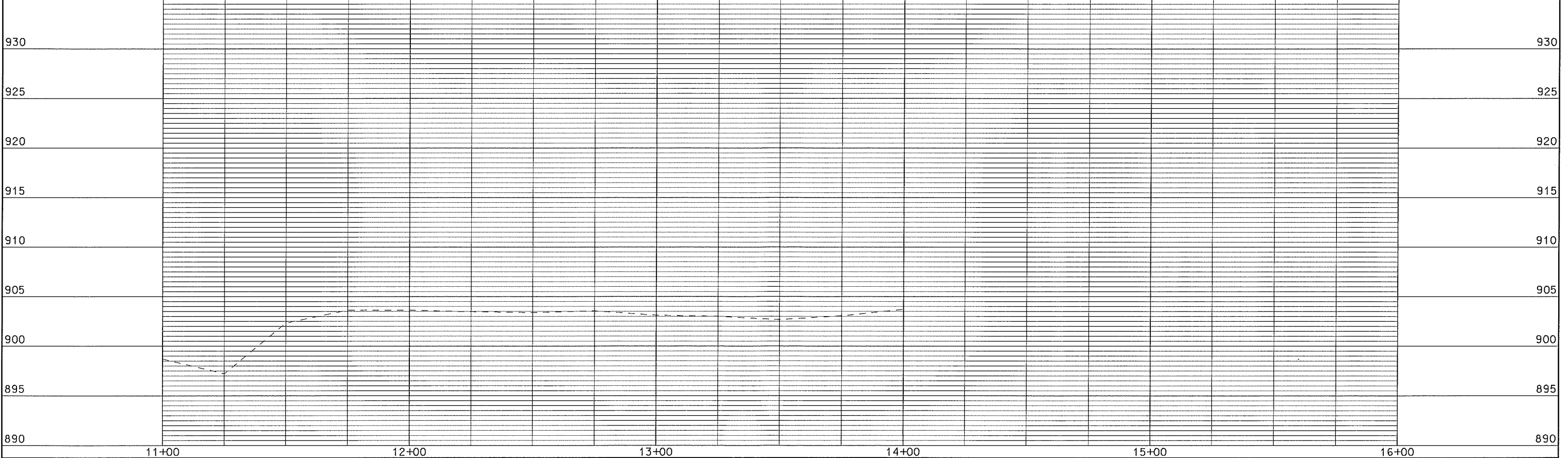
PLOT NAME: \_\_\_\_\_

REV. DATE: \_\_\_\_\_

ORIGINATOR: CITY OF MADISON, SIBBEE'S DIVISION



NOTES:  
 1. CLEAR ONLY TREES MARKED FOR REMOVAL. CLEAR BRUSH 10' FROM CUNETTE ON S. SIDE. ALL DISTURBED AREAS TO BE TOPSOILED AND SEEDED WITH TERRACE SEED (N SIDE) OR TALL GRASS WOODS EDGE SAVANNAH (S SIDE), AND COVERED WITH CLASS 1 URBAN TYPE A EROSION MAT  
 2. INSTALL 5'-MIN WIDE CLASS III TYPE C ECRM ALONG BOTH SIDES CUNETTE.



ORIGINATOR: CITY OF MADISON, SIBELIS DIVISION

PLOT SCALE: 1"=40'  
 PLOT NAME: 53W0942-EGPT-RCP03001-PLAN AND PROFILE  
 REV. DATE: 3/19/2012