

STATE OF WISCONSIN DEPARTMENT OF TRANSPORTATION

PLAN OF PROPOSED IMPROVEMENT

CITY OF MADISON, GAMMON ROAD USH 12 - MINERAL POINT RD LOCAL STREET DANE COUNTY

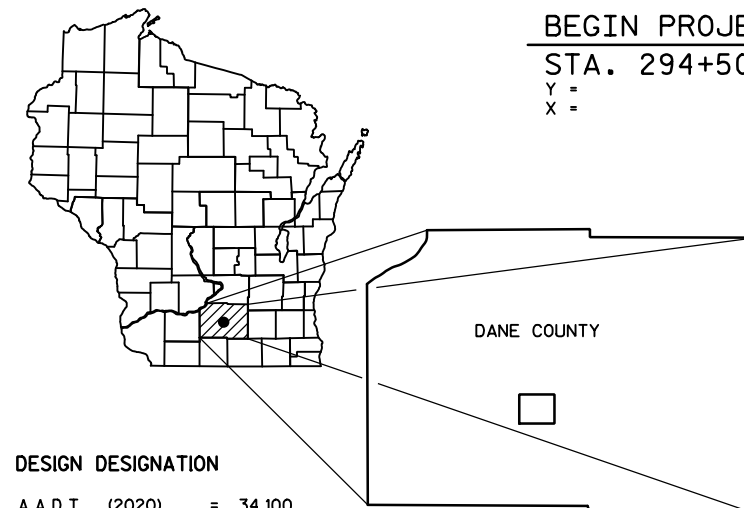
STATE PROJECT	FEDERAL PROJECT	
	PROJECT	CONTRACT
5992-10-31/32		

60% SUBMITTAL
01/08/2018

ORDER OF SHEETS

Section No.	1	Title
Section No.	2	Typical Sections and Details
Section No.	3	Estimate of Quantities
Section No.	3	Miscellaneous Quantities
Section No.	4	Right of Way Plat
Section No.	5	Plan and Profile
Section No.	6	Standard Detail Drawings
Section No.	7	Sign Plates
Section No.	8	Structure Plans
Section No.	9	Computer Earthwork Data
Section No.	9	Cross Sections

TOTAL SHEETS =



BEGIN PROJECT 5992-10-31
STA. 294+50.00 'BP'
Y =
X =

STATE PROJECT NUMBER
5992-10-31/32

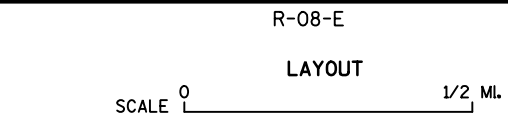
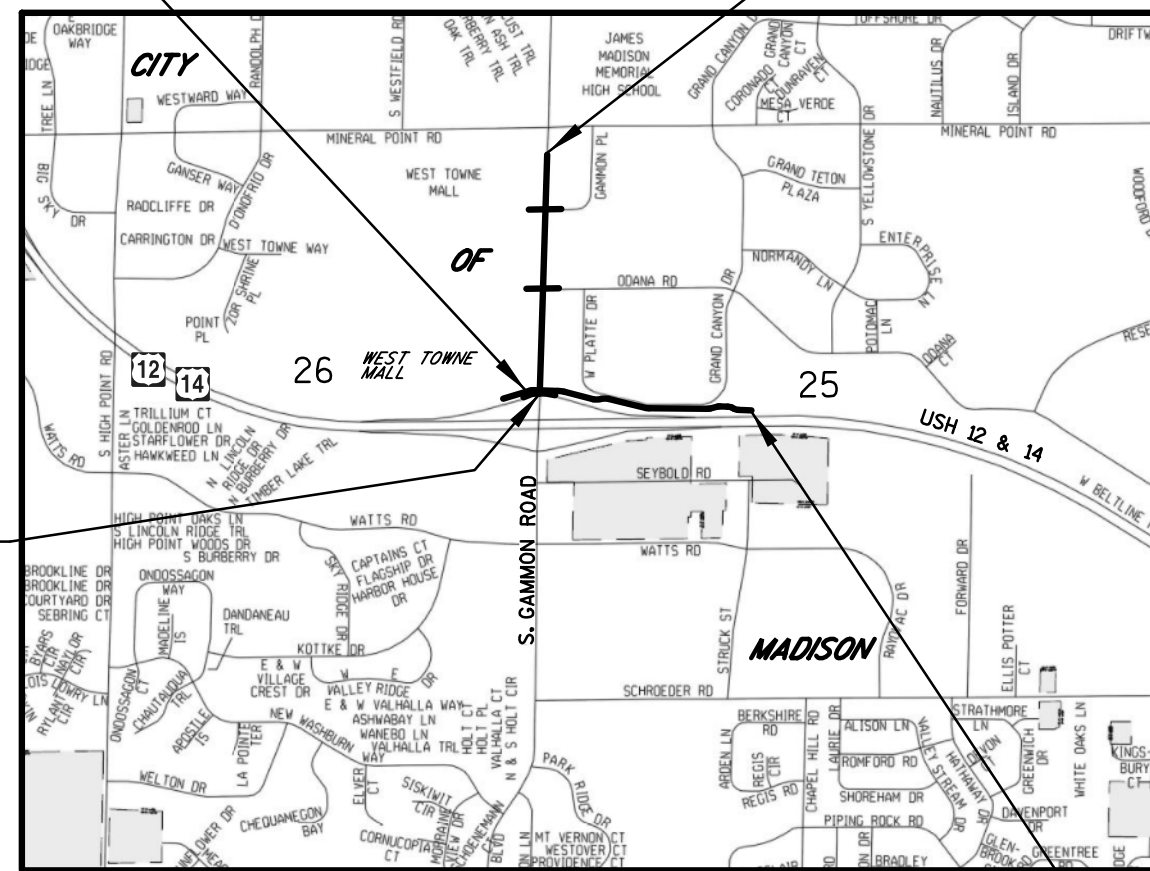
END PROJECT 5992-10-32
STA. 229+64.24 'NB'

DESIGN DESIGNATION

A.A.D.T. (2020)	=	34,100
A.A.D.T. (2040)	=	37,400
D.H.V. (2040)	=	4,100
D.D.	=	59/41
T.	=	5.4%
DESIGN SPEED	=	40
ESALS	=	3,300,000

CONVENTIONAL SYMBOLS

PLAN		PROFILE
CORPORATE LIMITS		GRADE LINE
PROPERTY LINE		ORIGINAL GROUND
LOT LINE		MARSH OR ROCK PROFILE (To be noted as such)
LIMITED HIGHWAY EASEMENT		SPECIAL DITCH
EXISTING RIGHT OF WAY		GRADE ELEVATION
PROPOSED OR NEW R/W LINE		CULVERT (Profile View)
SLOPE INTERCEPT		UTILITIES
REFERENCE LINE		ELECTRIC
EXISTING CULVERT		FIBER OPTIC
PROPOSED CULVERT (Box or Pipe)		GAS
COMBUSTIBLE FLUIDS		SANITARY SEWER
MARSH AREA		STORM SEWER
WOODED OR SHRUB AREA		TELEPHONE
		WATER
		UTILITY PEDESTAL
		POWER POLE
		TELEPHONE POLE



TOTAL NET LENGTH OF CENTERLINE PROJECT 5992-10-31 = 0.384 MI.
TOTAL NET LENGTH OF CENTERLINE PROJECT 5992-10-32 = 0.408 MI.

HORIZONTAL POSITIONS SHOWN ON THIS PLAN ARE WISCONSIN COUNTY COORDINATE SYSTEM (WCCS), DANE COUNTY, NAD83 (1993), IN U.S. SURVEY FEET. POSITIONS SHOWN ARE GRID COORDINATES, GRID BEARINGS, AND GRID DISTANCES. GRID DISTANCES ARE THE SAME AS GROUND DISTANCES. ELEVATIONS ARE REFERENCED TO NAVD 88 (1988). GPS DERIVED ELEVATIONS ARE BASED ON GEOID 12A.

ACCEPTED FOR

City _____ or _____ Madison

(Date) _____ (Signature & Title of Official) _____

ORIGINAL PLANS PREPARED BY

AVRES ASSOCIATES

(Date) _____ (Signature) _____

STATE OF WISCONSIN
DEPARTMENT OF TRANSPORTATION

PREPARED BY

Surveyor _____ Ayres Associates

Designer _____ Ayres Associates

Management Consultant _____ KL Engineering, Inc

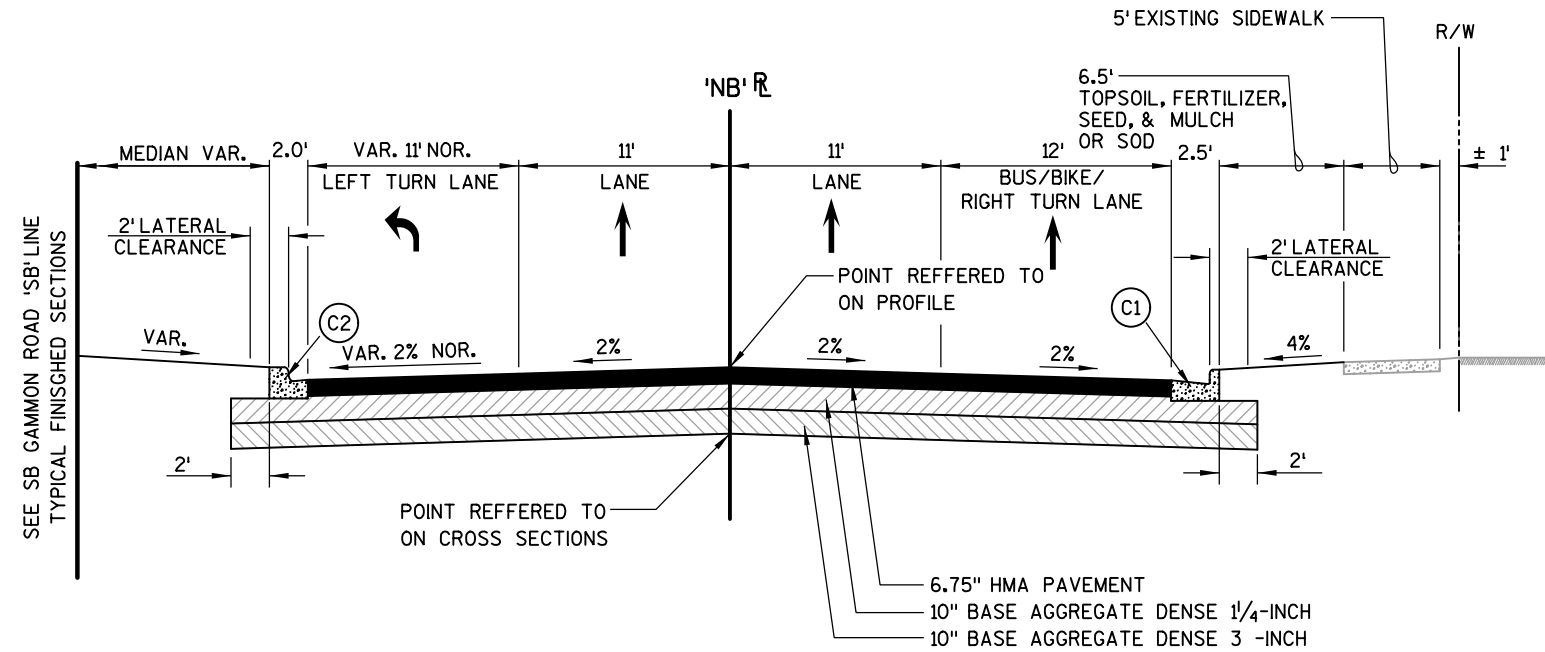
APPROVED FOR THE DEPARTMENT

DATE: _____ (WISDOT LPPM Approval)

E

PROJECT ID: 5992-10-31/32 WITH: N/A

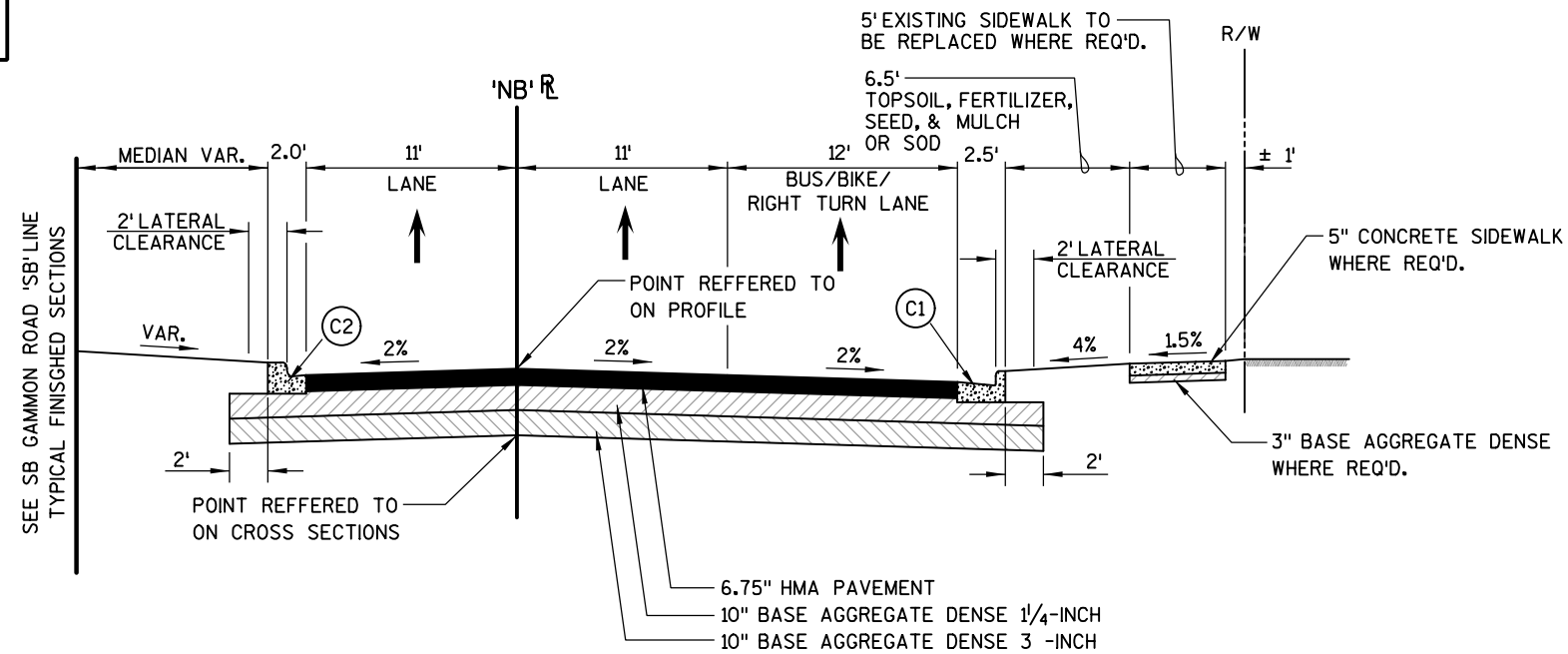
COUNTY: DANE



TYPICAL FINISHED SECTION - NB GAMMON ROAD 'NB' LINE

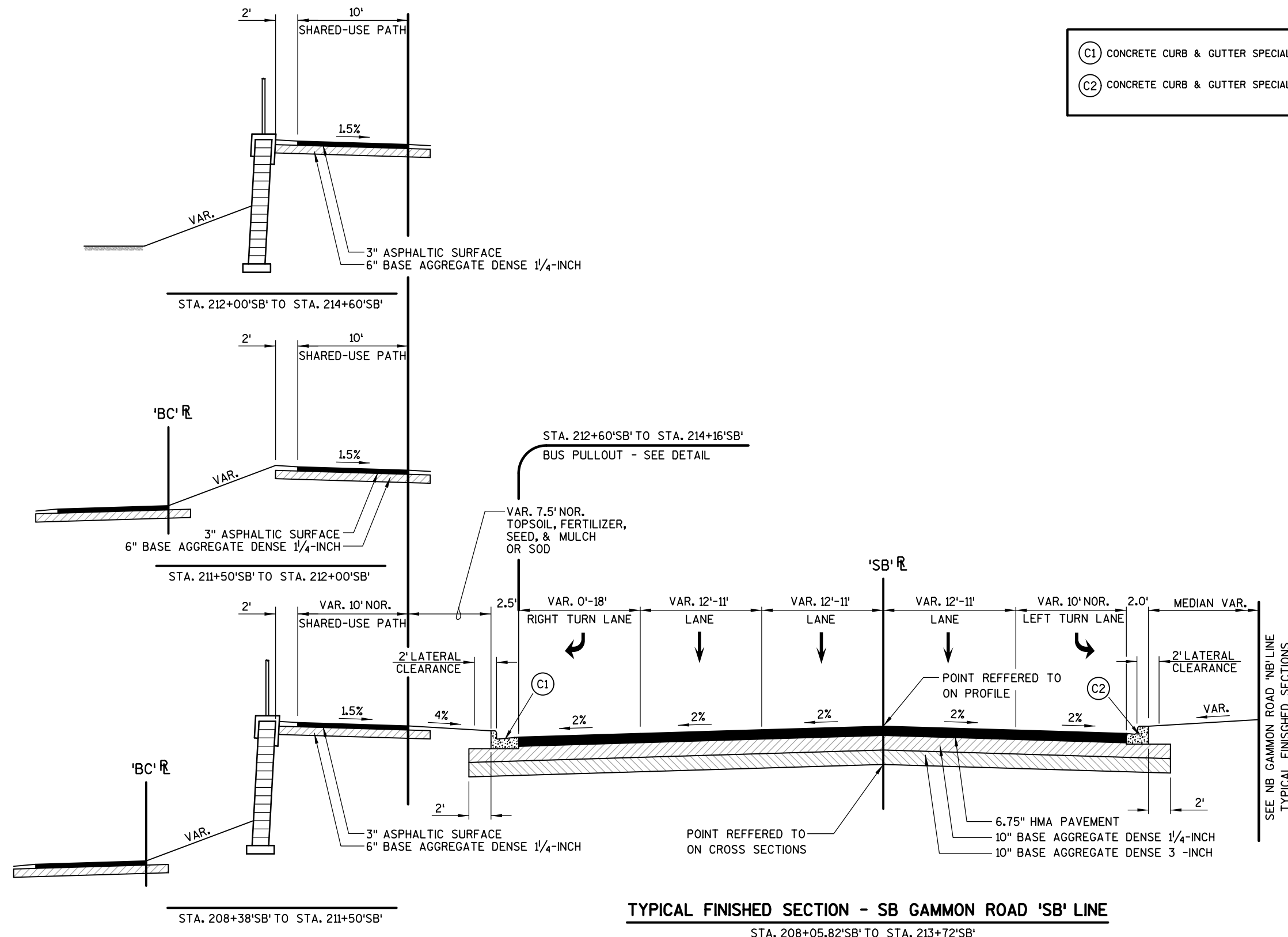
STA. 221+38'NB' TO STA. 224+68'NB'
 STA. 227+15'NB' TO STA. 228+89'NB'
 STA. 228+89'NB' TO STA. 229+64.24'NB' - LEFT TURN LANE ONLY

- (C1) CONCRETE CURB & GUTTER SPECIAL 30-INCH TYPE 'D', GUTTER SLOPE 6.25%
- (C2) CONCRETE CURB & GUTTER SPECIAL 24-INCH TYPE 'D', GUTTER SLOPE 6.25%



TYPICAL FINISHED SECTION - NB GAMMON ROAD 'NB' LINE

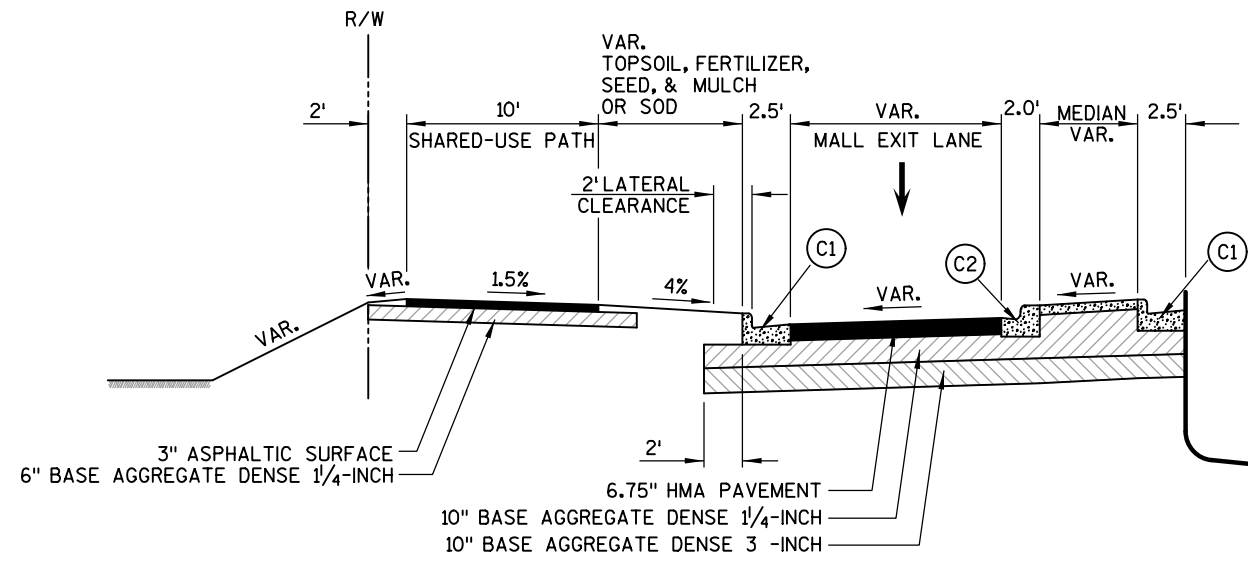
STA. 218+29'NB' TO STA. 221+38'NB'
 STA. 225+56'NB' TO STA. 227+15'NB'



- (C1) CONCRETE CURB & GUTTER SPECIAL 30-INCH TYPE 'D', GUTTER SLOPE 6.25%
- (C2) CONCRETE CURB & GUTTER SPECIAL 24-INCH TYPE 'D', GUTTER SLOPE 6.25%

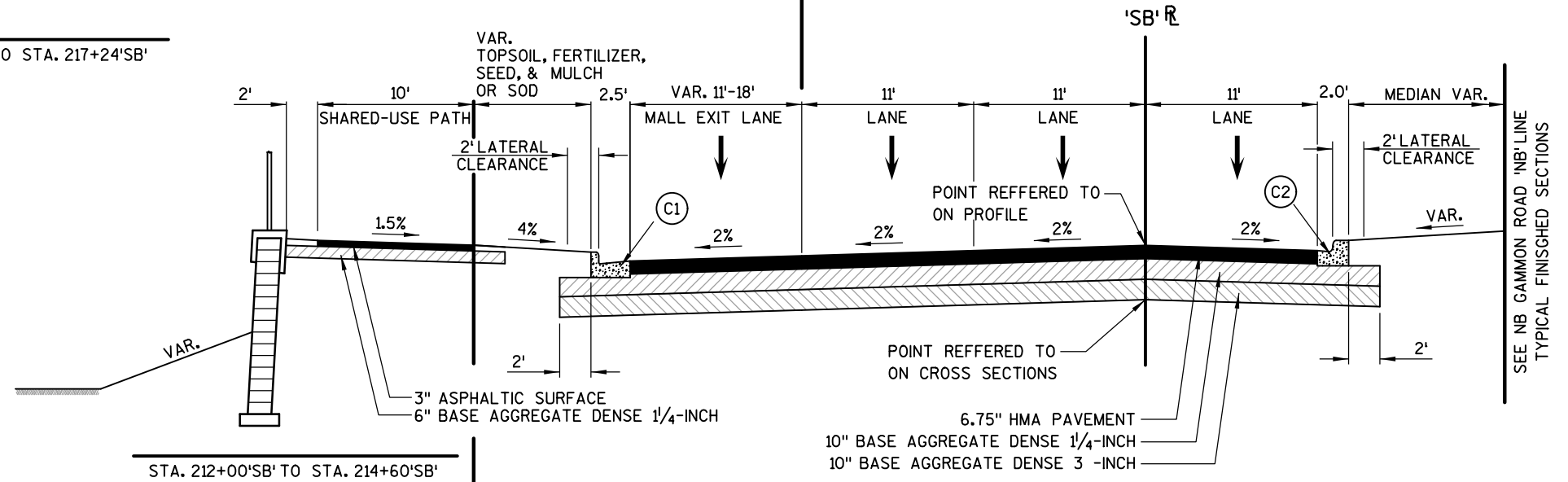
TYPICAL FINISHED SECTION - SB GAMMON ROAD 'SB' LINE

STA. 208+05.82'SB' TO STA. 213+72'SB'



- (C1) CONCRETE CURB & GUTTER SPECIAL 30-INCH TYPE 'D', GUTTER SLOPE 6.25%
- (C2) CONCRETE CURB & GUTTER SPECIAL 24-INCH TYPE 'D', GUTTER SLOPE 6.25%

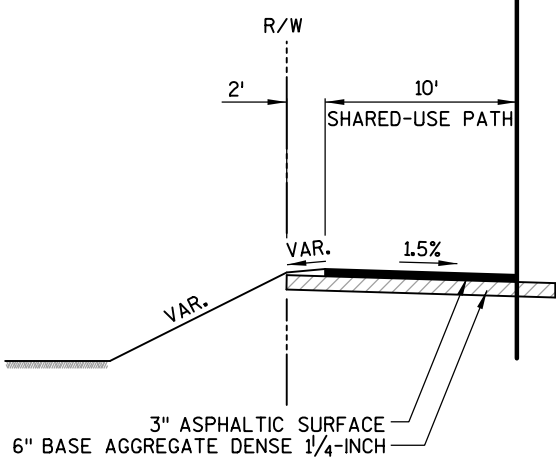
STA. 215+86'SB' TO STA. 217+24'SB'



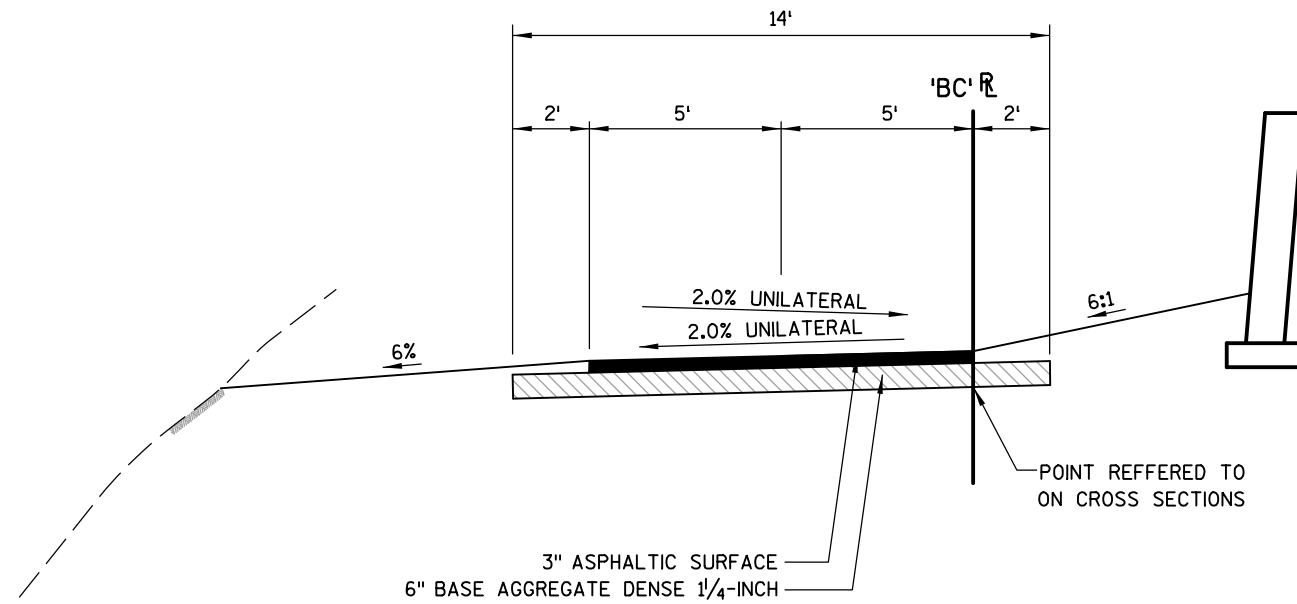
STA. 212+00'SB' TO STA. 214+60'SB'

TYPICAL FINISHED SECTION - SB GAMMON ROAD 'SB' LINE

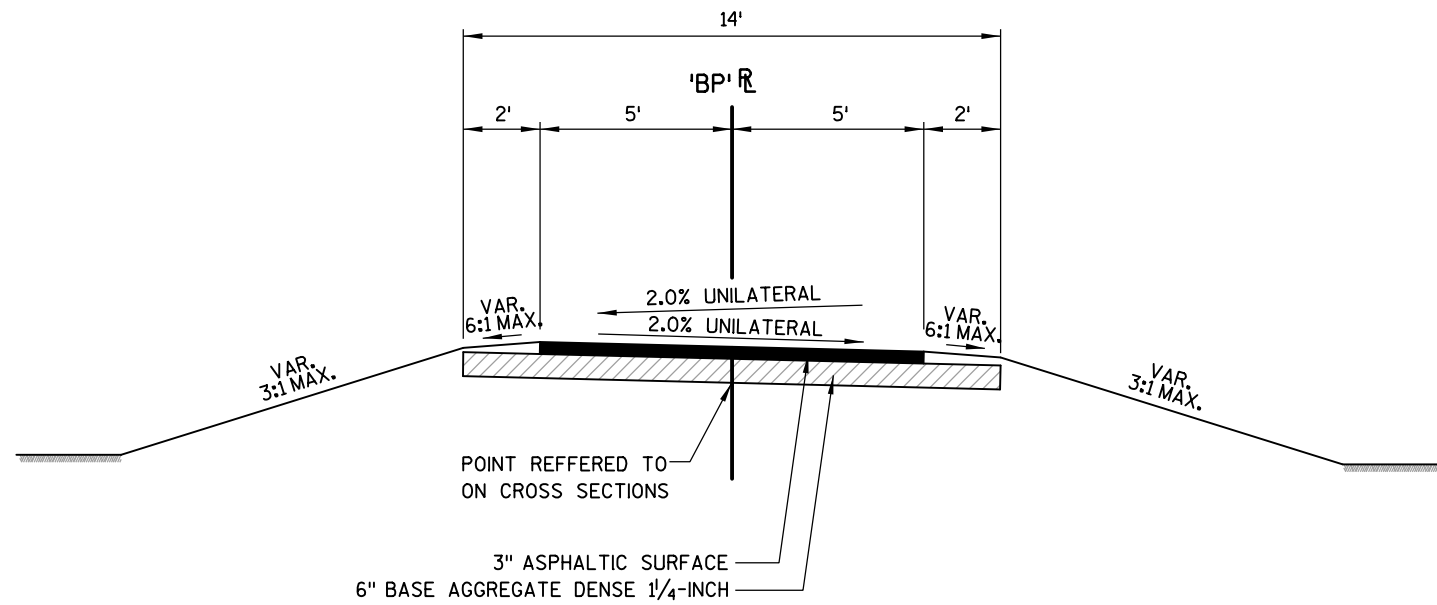
STA. 213+72'SB' TO STA. 217+24'SB'



STA. 214+60'SB' TO STA. 217+24'SB'

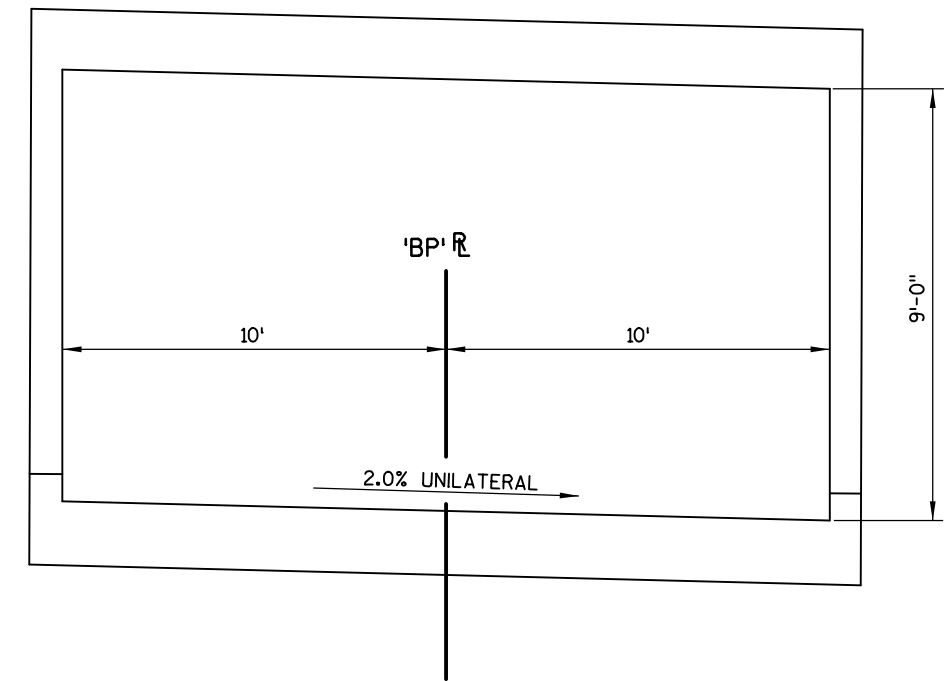


TYPICAL FINISHED SECTION - SHARED-USE PATH 'BC' LINE



TYPICAL FINISHED SECTION - SHARED-USE PATH 'BP' LINE

STA. 294+50'BP' TO STA. 295+18.32'PB'
STA. 298+24.47'BP' TO STA. 314+75.79'BP'

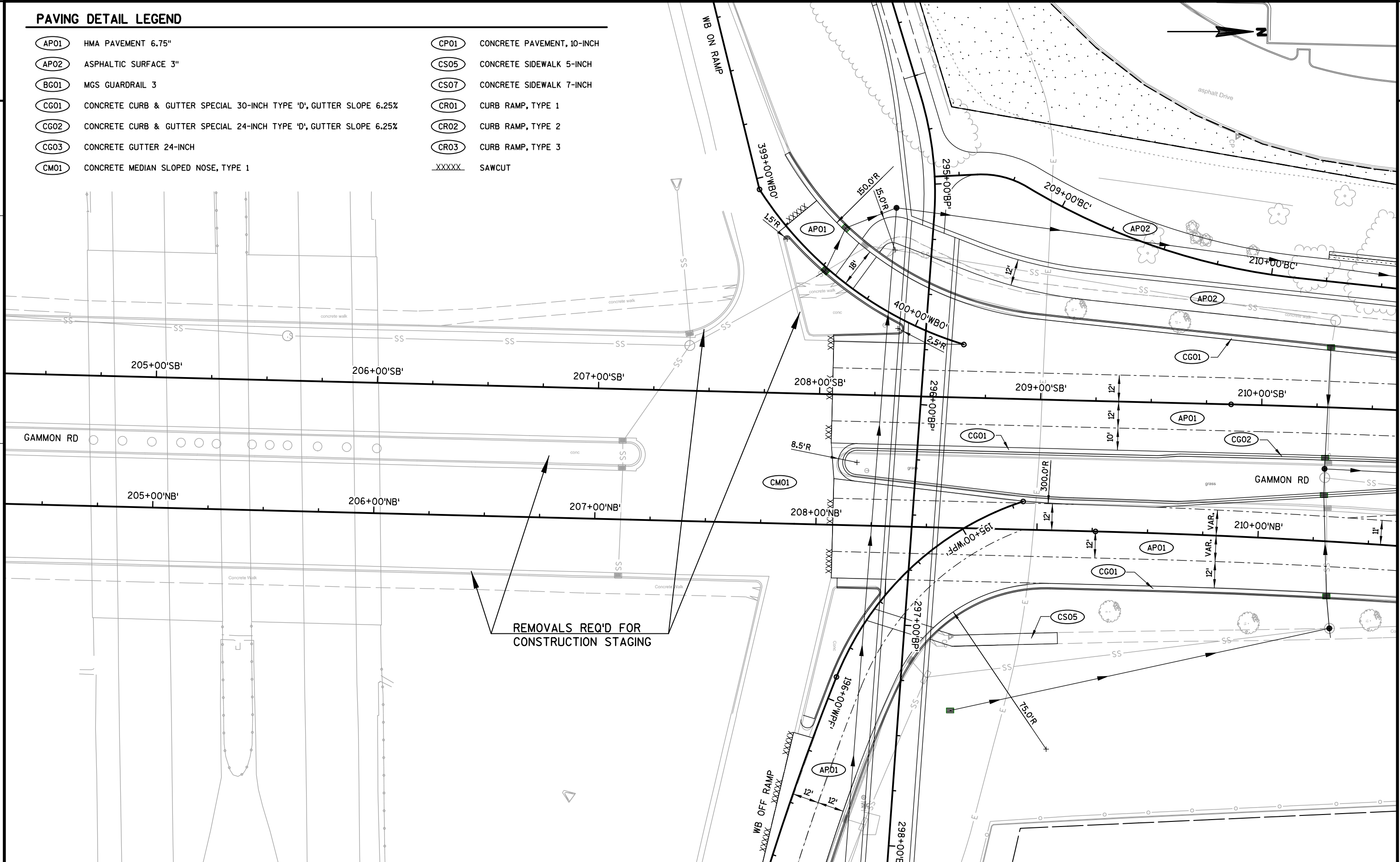


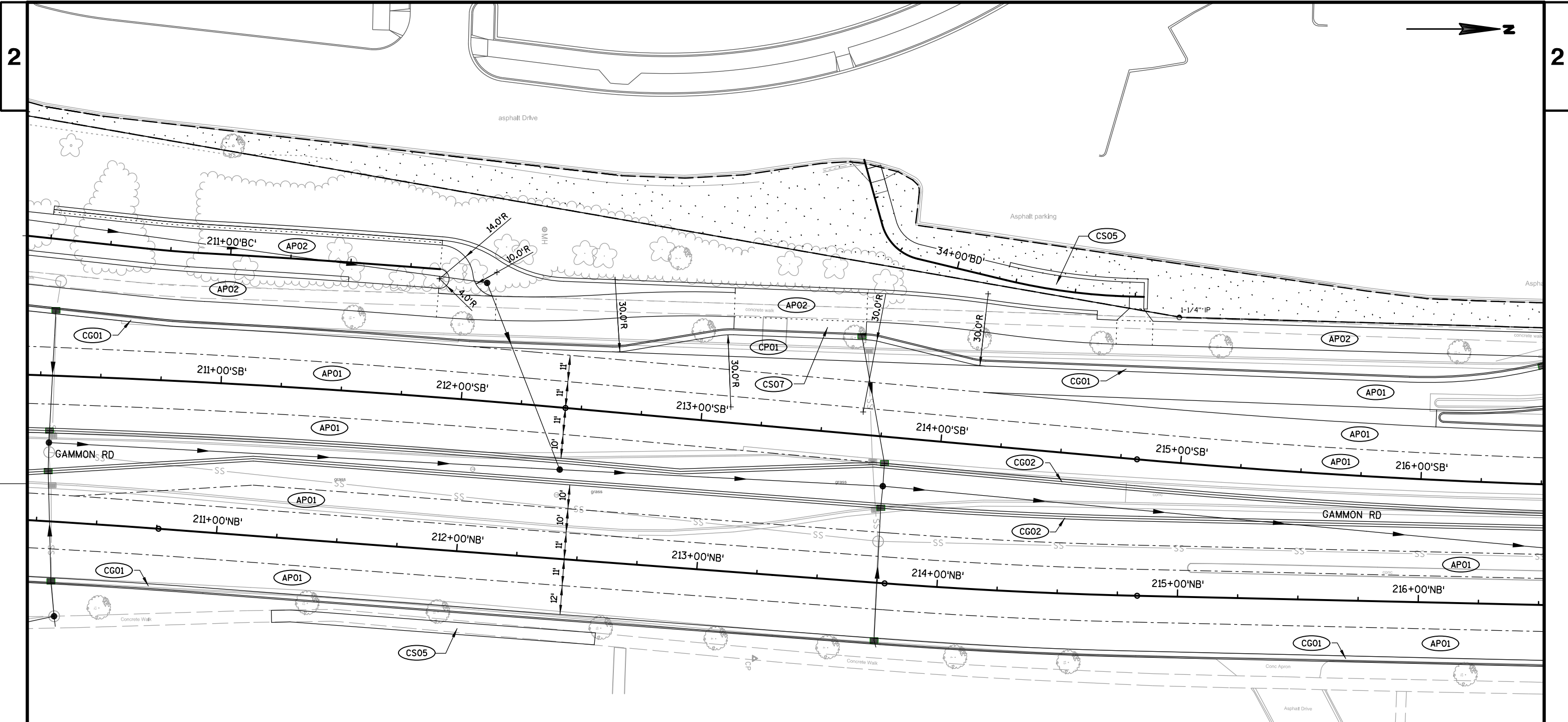
TYPICAL FINISHED SECTION - SHARED-USE PATH 'BP' LINE

STA. 295+18.32'PB' TO STA. 298+24.47'BP'

PAVING DETAIL LEGEND

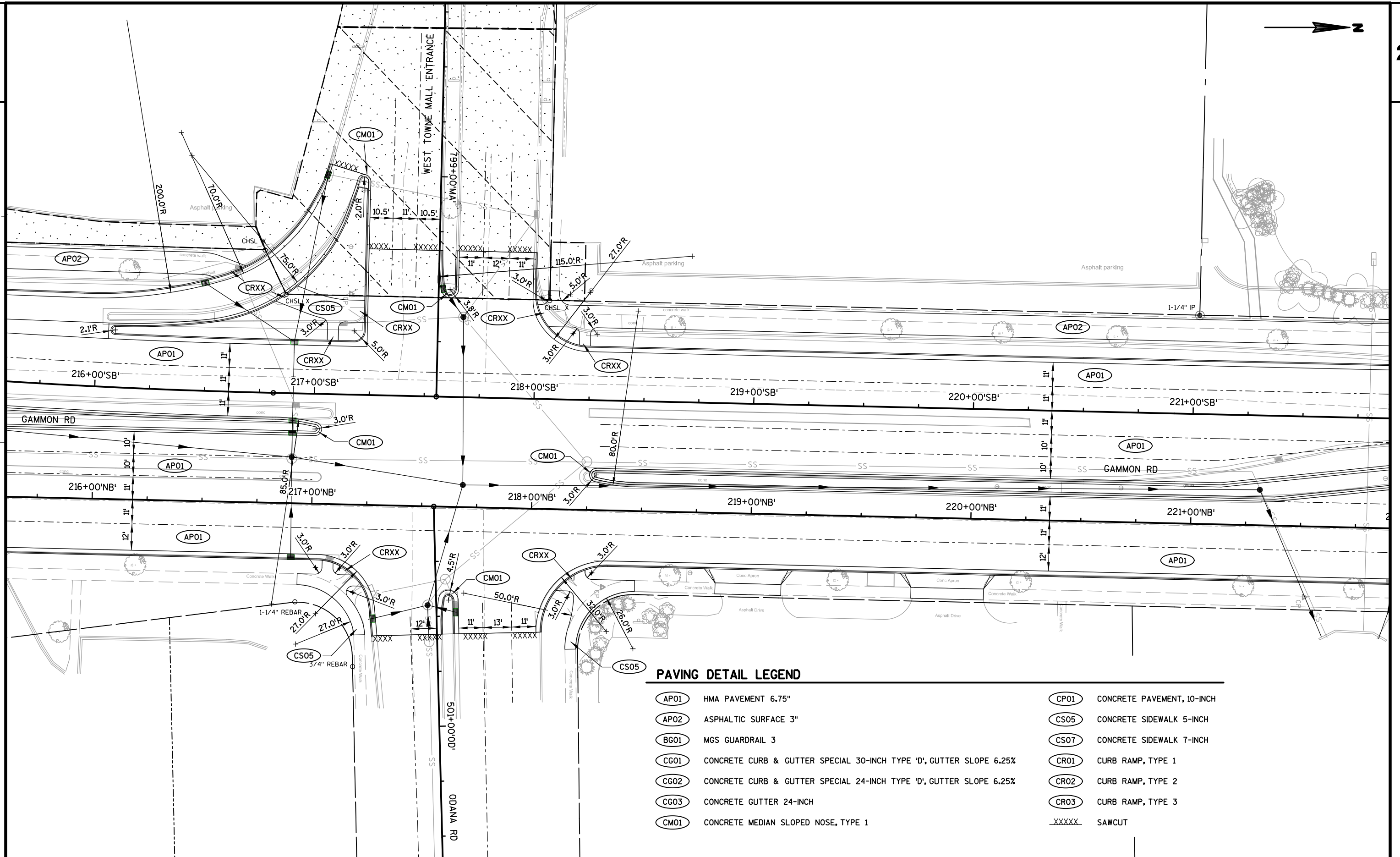
- | | |
|--|-----------------------------------|
| (AP01) HMA PAVEMENT 6.75" | (CP01) CONCRETE PAVEMENT, 10-INCH |
| (AP02) ASPHALTIC SURFACE 3" | (CS05) CONCRETE SIDEWALK 5-INCH |
| (BG01) MGS GUARDRAIL 3 | (CS07) CONCRETE SIDEWALK 7-INCH |
| (CG01) CONCRETE CURB & GUTTER SPECIAL 30-INCH TYPE 'D', GUTTER SLOPE 6.25% | (CR01) CURB RAMP, TYPE 1 |
| (CG02) CONCRETE CURB & GUTTER SPECIAL 24-INCH TYPE 'D', GUTTER SLOPE 6.25% | (CR02) CURB RAMP, TYPE 2 |
| (CG03) CONCRETE GUTTER 24-INCH | (CR03) CURB RAMP, TYPE 3 |
| (CM01) CONCRETE MEDIAN SLOPED NOSE, TYPE 1 | XXXXX SAWCUT |





PAVING DETAIL LEGEND

- | | |
|--|-----------------------------------|
| (AP01) HMA PAVEMENT 6.75" | (CP01) CONCRETE PAVEMENT, 10-INCH |
| (AP02) ASPHALTIC SURFACE 3" | (CS05) CONCRETE SIDEWALK 5-INCH |
| (BG01) MGS GUARDRAIL 3 | (CS07) CONCRETE SIDEWALK 7-INCH |
| (CG01) CONCRETE CURB & GUTTER SPECIAL 30-INCH TYPE 'D', GUTTER SLOPE 6.25% | (CR01) CURB RAMP, TYPE 1 |
| (CG02) CONCRETE CURB & GUTTER SPECIAL 24-INCH TYPE 'D', GUTTER SLOPE 6.25% | (CR02) CURB RAMP, TYPE 2 |
| (CG03) CONCRETE GUTTER 24-INCH | (CR03) CURB RAMP, TYPE 3 |
| (CM01) CONCRETE MEDIAN SLOPED NOSE, TYPE 1 | XXXXX SAWCUT |



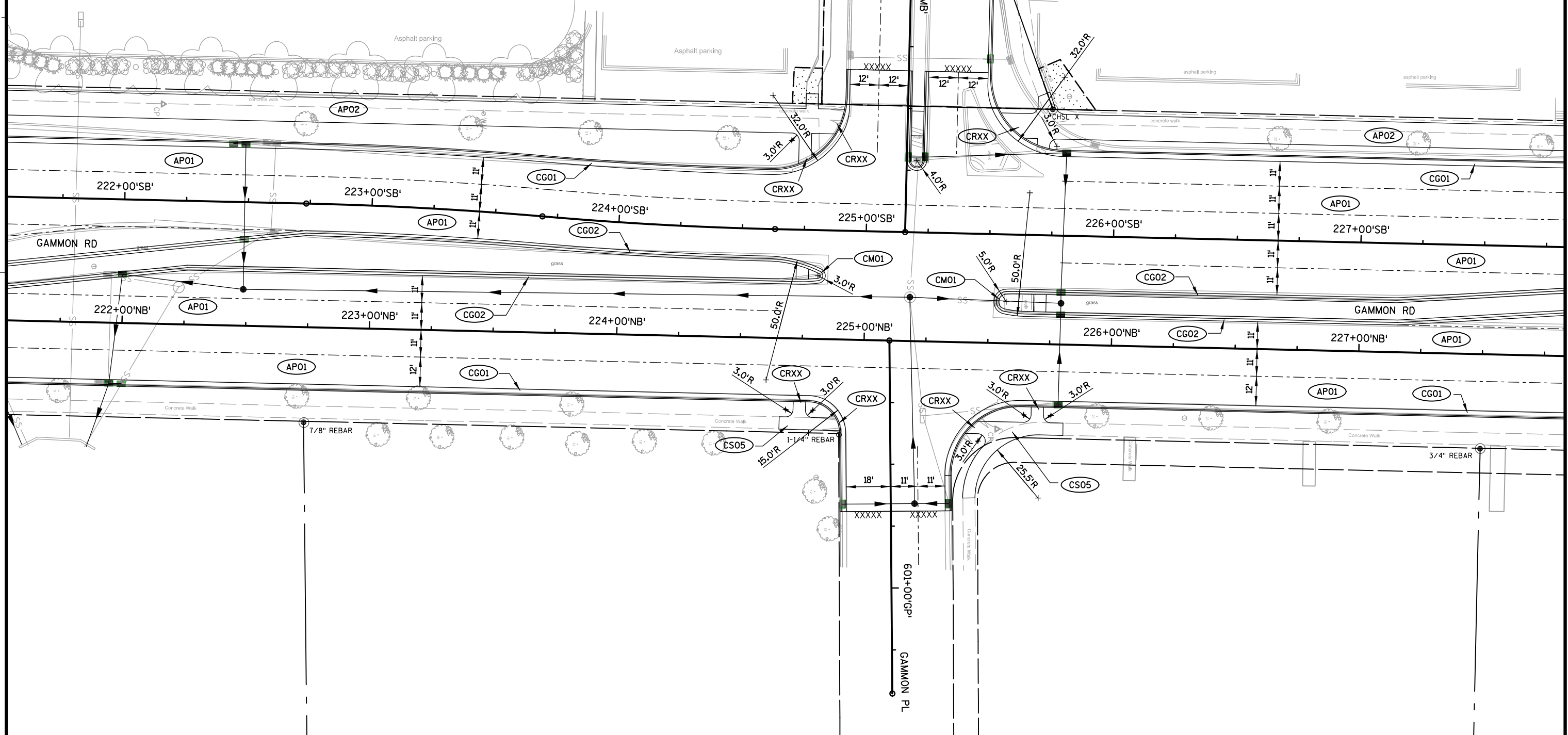
PAVING DETAIL LEGEND

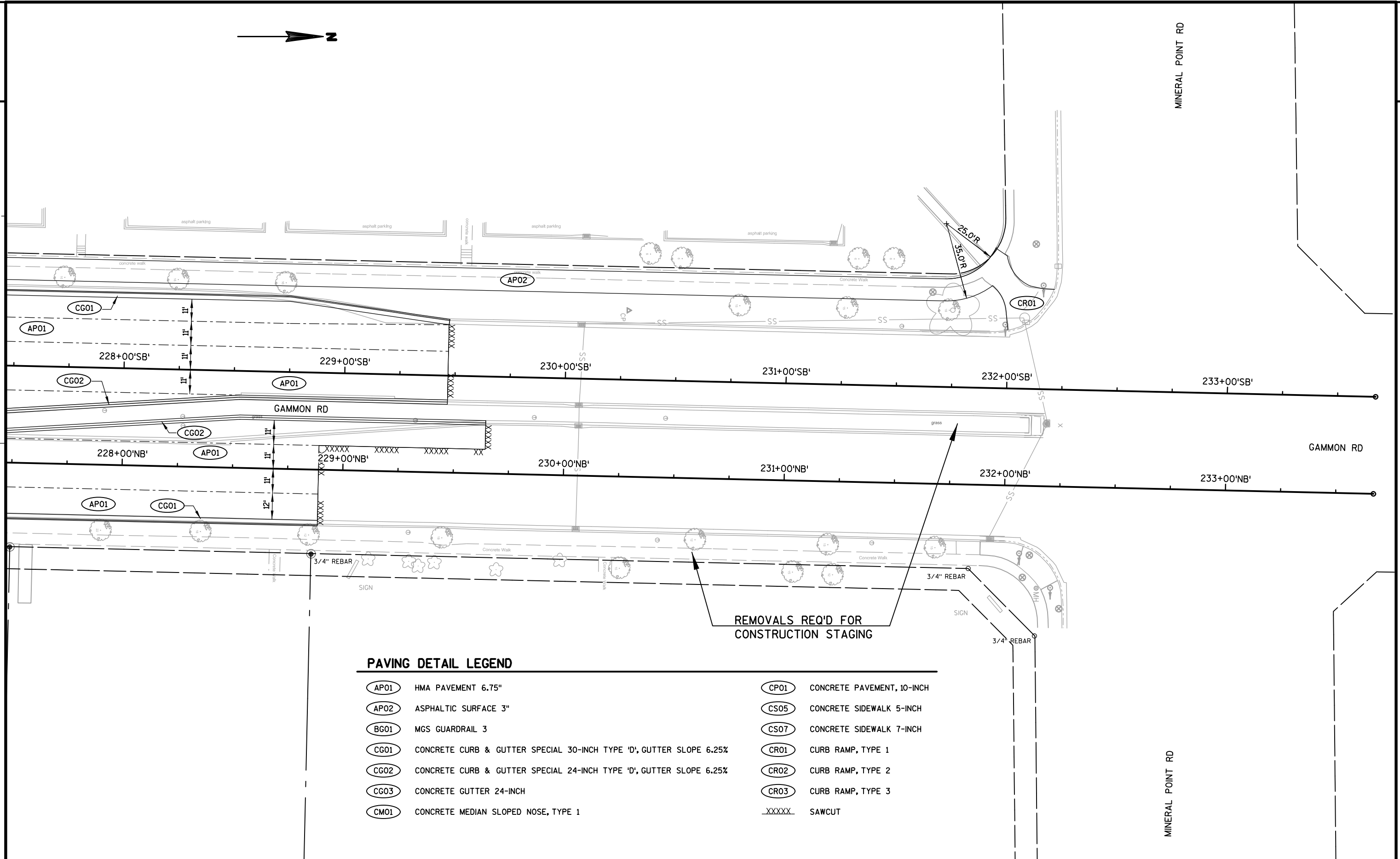
- | | | | |
|--------|---|---------|----------------------------|
| (APO1) | HMA PAVEMENT 6.75" | (CP01) | CONCRETE PAVEMENT, 10-INCH |
| (APO2) | ASPHALTIC SURFACE 3" | (CS05) | CONCRETE SIDEWALK 5-INCH |
| (BG01) | MGS GUARDRAIL 3 | (CS07) | CONCRETE SIDEWALK 7-INCH |
| (CG01) | CONCRETE CURB & GUTTER SPECIAL 30-INCH TYPE 'D', GUTTER SLOPE 6.25% | (CR01) | CURB RAMP, TYPE 1 |
| (CG02) | CONCRETE CURB & GUTTER SPECIAL 24-INCH TYPE 'D', GUTTER SLOPE 6.25% | (CR02) | CURB RAMP, TYPE 2 |
| (CG03) | CONCRETE GUTTER 24-INCH | (CR03) | CURB RAMP, TYPE 3 |
| (CM01) | CONCRETE MEDIAN SLOPED NOSE, TYPE 1 | -XXXXX- | SAWCUT |



PAVING DETAIL LEGEND

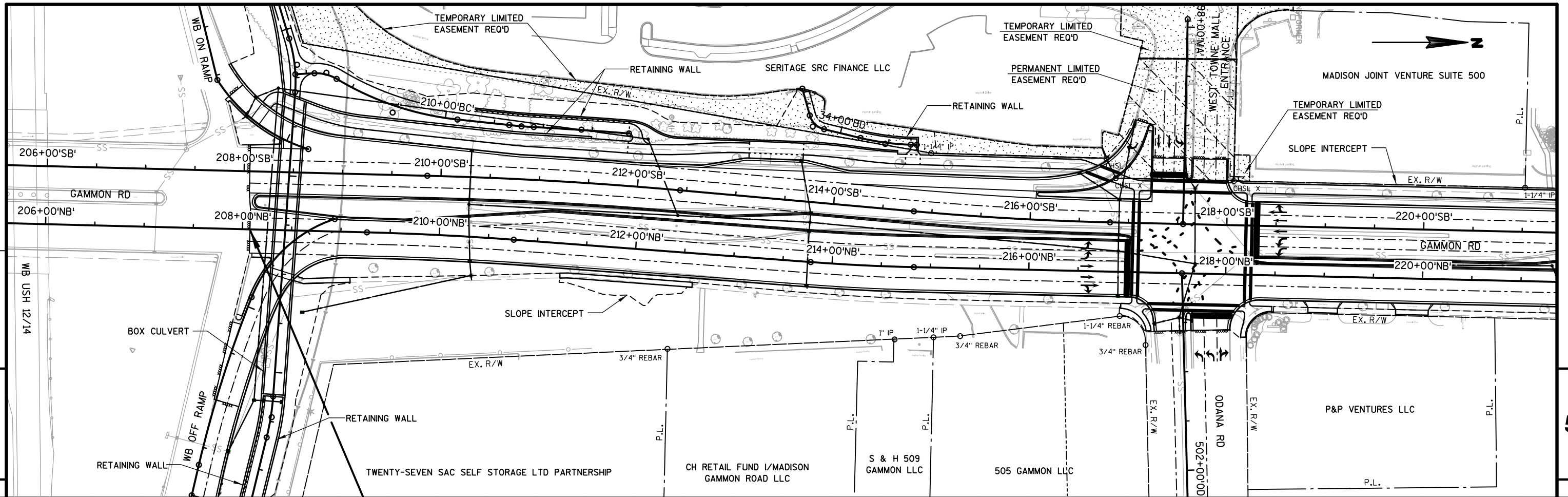
- | | |
|--|-----------------------------------|
| (AP01) HMA PAVEMENT 6.75" | (CP01) CONCRETE PAVEMENT, 10-INCH |
| (AP02) ASPHALTIC SURFACE 3" | (CS05) CONCRETE SIDEWALK 5-INCH |
| (BG01) MGS GUARDRAIL 3 | (CS07) CONCRETE SIDEWALK 7-INCH |
| (CG01) CONCRETE CURB & GUTTER SPECIAL 30-INCH TYPE 'D', GUTTER SLOPE 6.25% | (CR01) CURB RAMP, TYPE 1 |
| (CG02) CONCRETE CURB & GUTTER SPECIAL 24-INCH TYPE 'D', GUTTER SLOPE 6.25% | (CR02) CURB RAMP, TYPE 2 |
| (CG03) CONCRETE GUTTER 24-INCH | (CR03) CURB RAMP, TYPE 3 |
| (CM01) CONCRETE MEDIAN SLOPED NOSE, TYPE 1 | XXXXX SAWCUT |





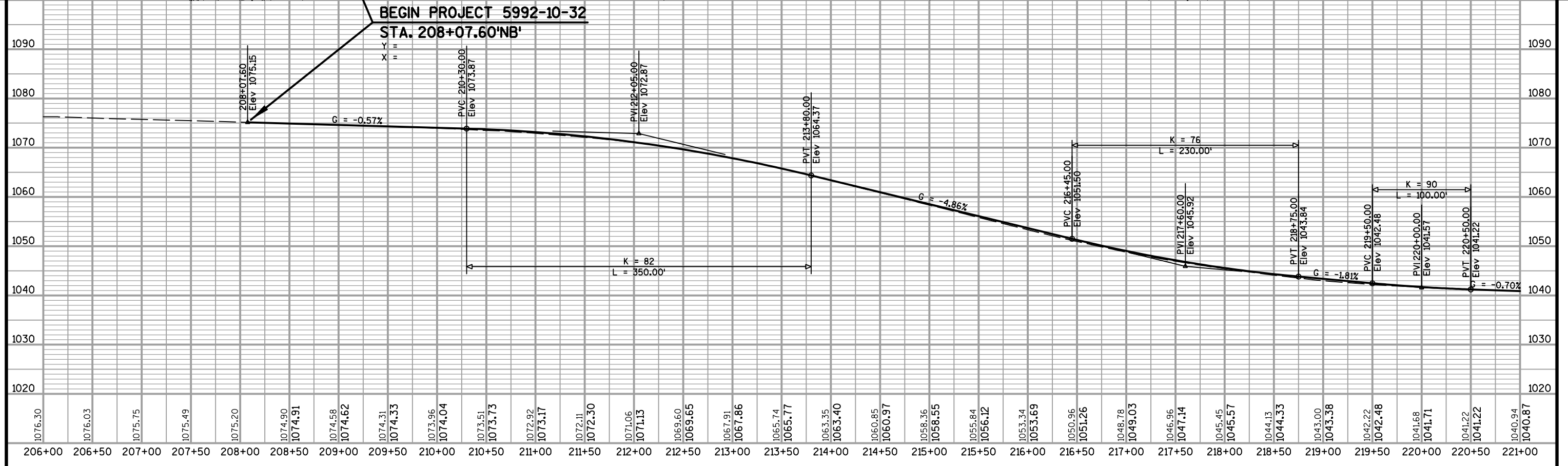
PAVING DETAIL LEGEND

- | | | | |
|------|---|-------|----------------------------|
| AP01 | HMA PAVEMENT 6.75" | CP01 | CONCRETE PAVEMENT, 10-INCH |
| AP02 | ASPHALTIC SURFACE 3" | CS05 | CONCRETE SIDEWALK 5-INCH |
| BG01 | MGS GUARDRAIL 3 | CS07 | CONCRETE SIDEWALK 7-INCH |
| CG01 | CONCRETE CURB & GUTTER SPECIAL 30-INCH TYPE 'D', GUTTER SLOPE 6.25% | CR01 | CURB RAMP, TYPE 1 |
| CG02 | CONCRETE CURB & GUTTER SPECIAL 24-INCH TYPE 'D', GUTTER SLOPE 6.25% | CR02 | CURB RAMP, TYPE 2 |
| CG03 | CONCRETE GUTTER 24-INCH | CR03 | CURB RAMP, TYPE 3 |
| CM01 | CONCRETE MEDIAN SLOPED NOSE, TYPE 1 | XXXXX | SAWCUT |



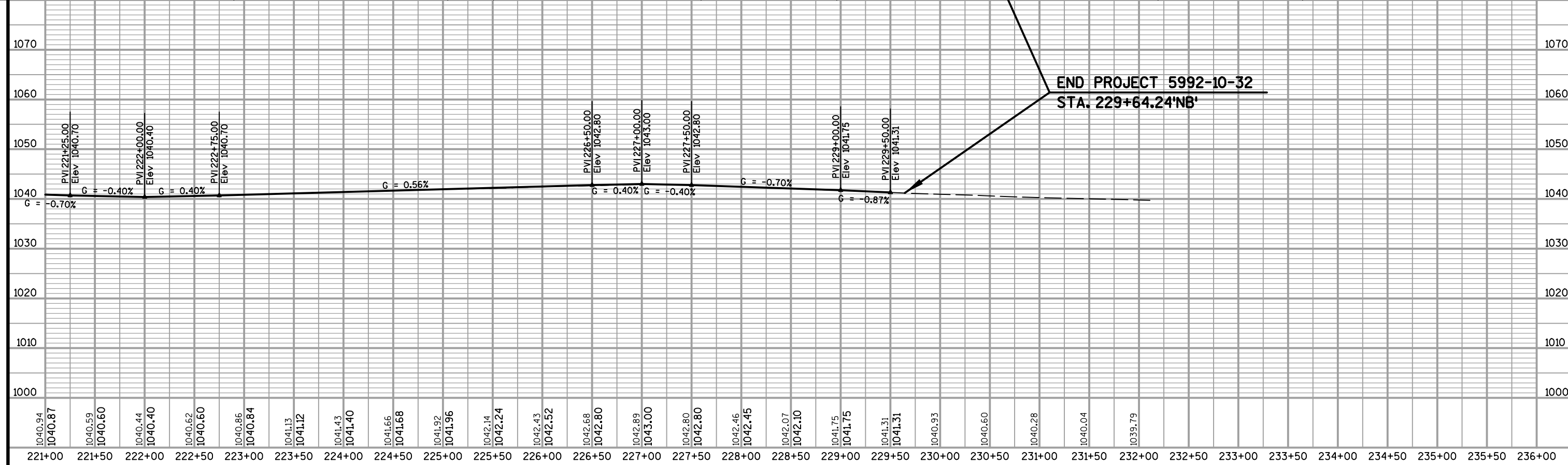
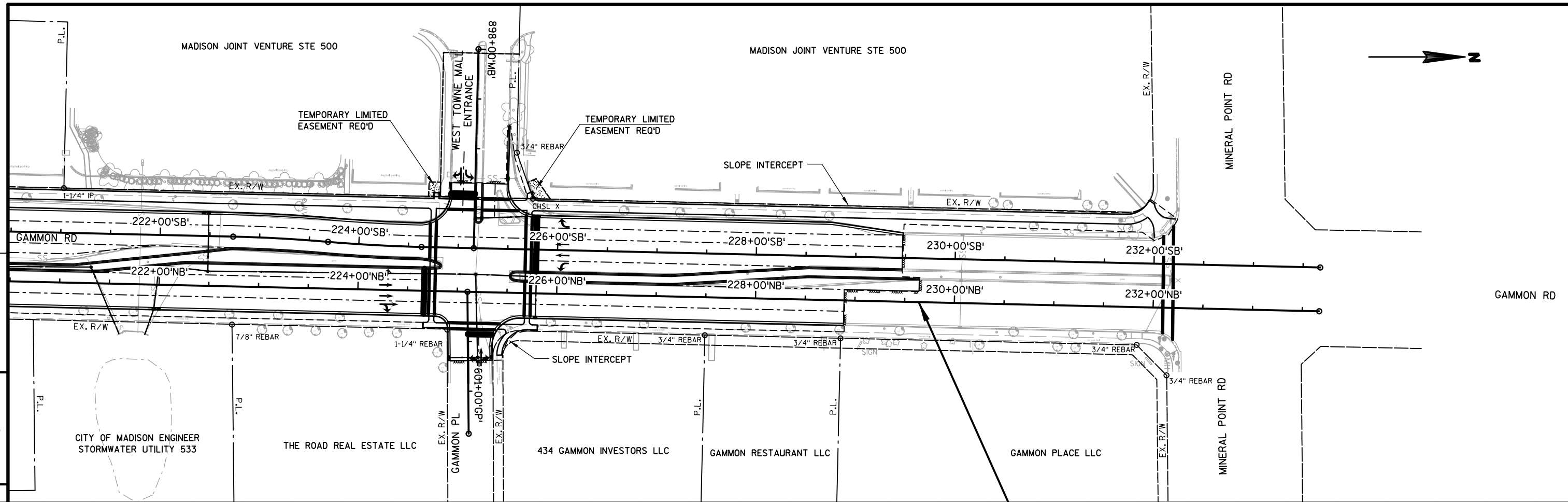
5

5

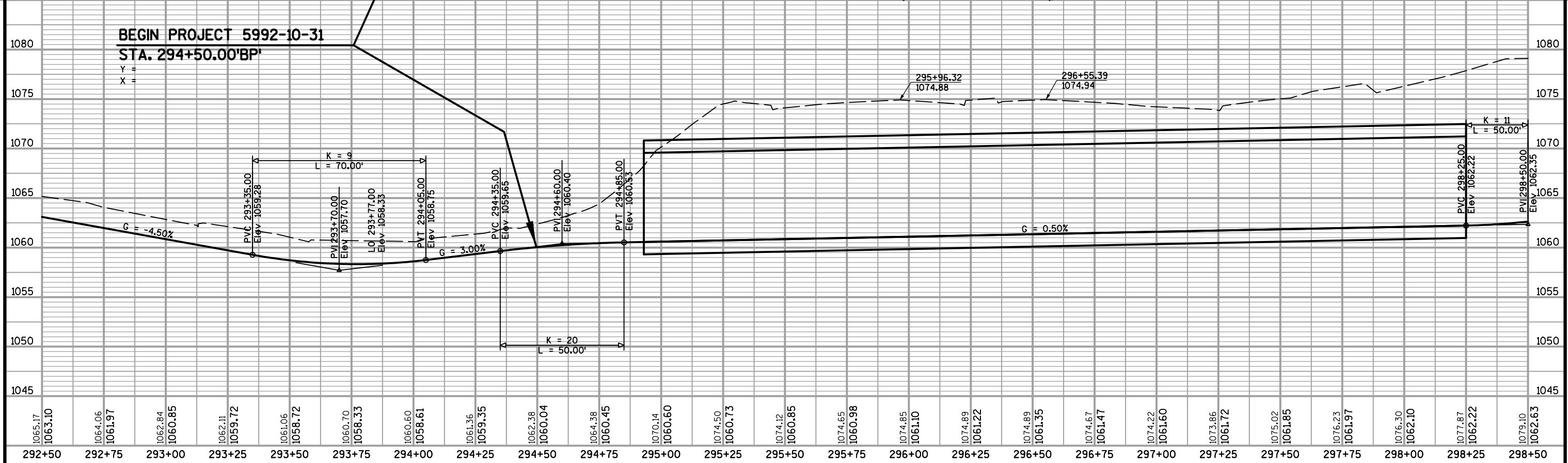
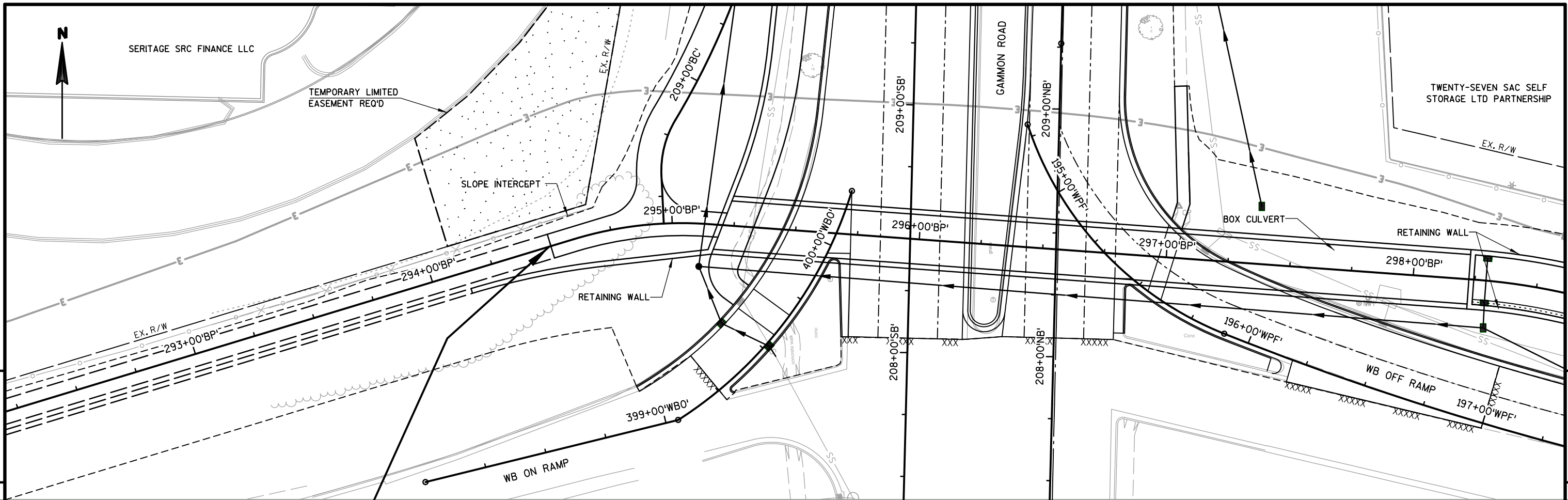


BEGIN PROJECT 5992-10-32
STA. 208+07.60'NB'
 Y =
 X =

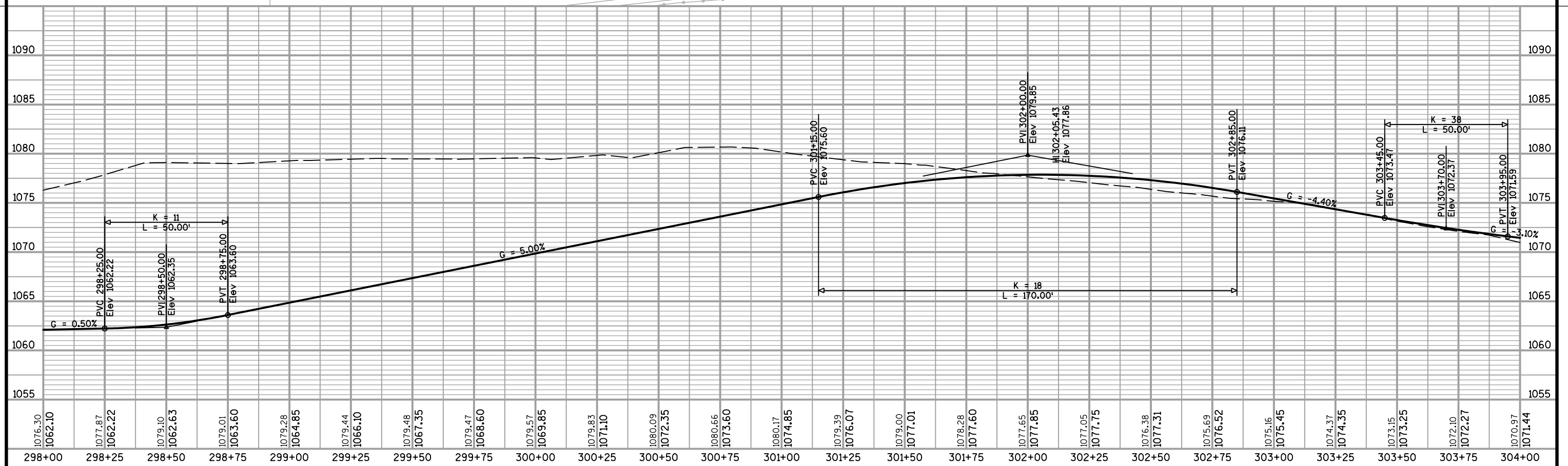
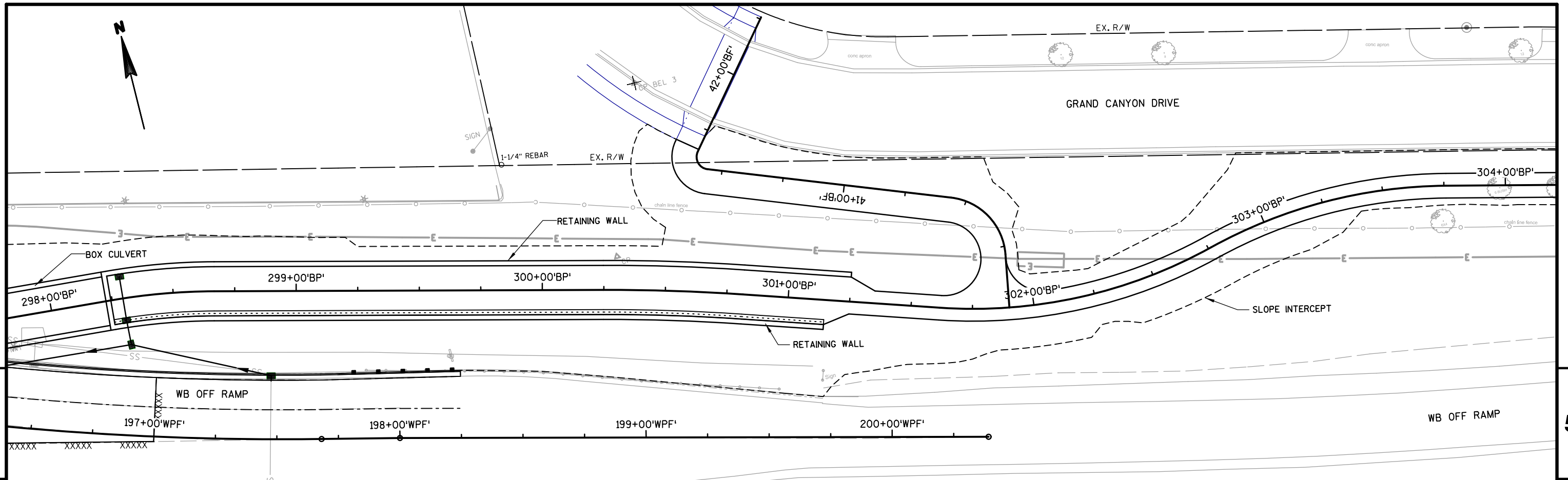
PROJECT NO: 5992-10-32 HWY: GAMMON RD COUNTY: DANE PLAN AND PROFILE - NB GAMMON SCALE, FEET 0 50 100 SHEET E



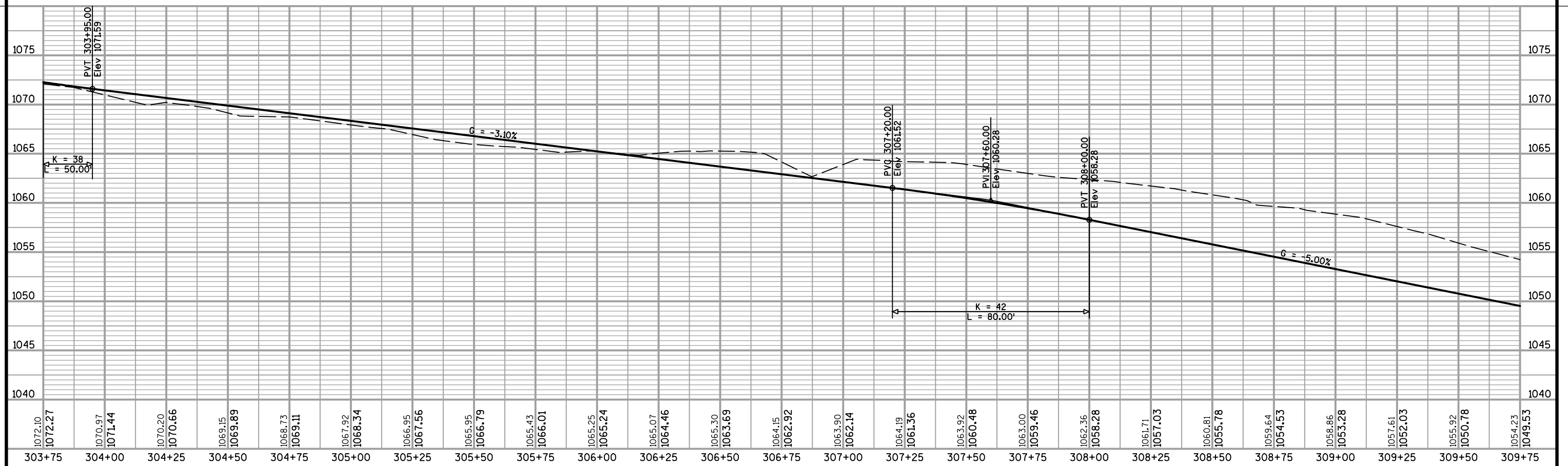
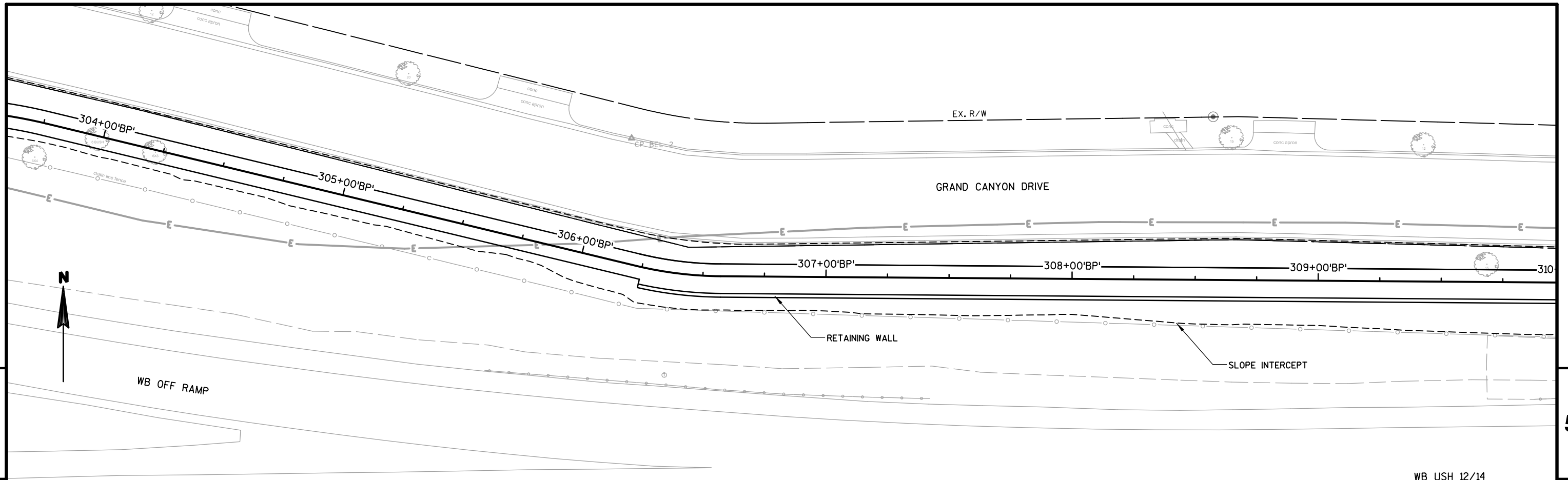
PROJECT NO: 5992-10-32 HWY: GAMMON RD COUNTY: DANE PLAN AND PROFILE - NB GAMMON SCALE, FEET SHEET **E**

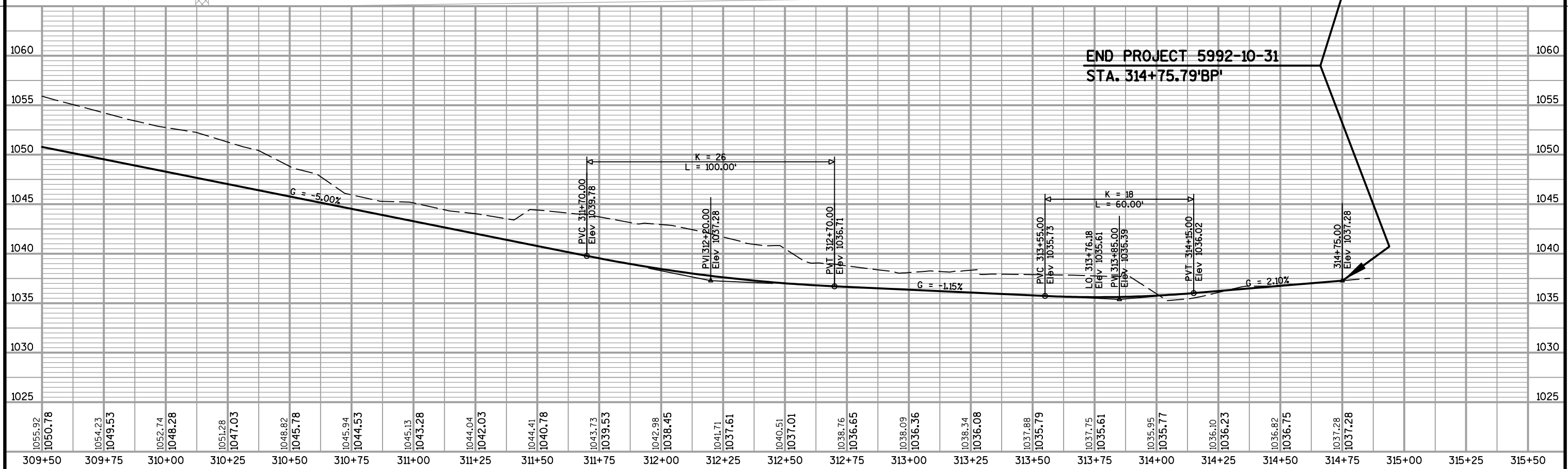
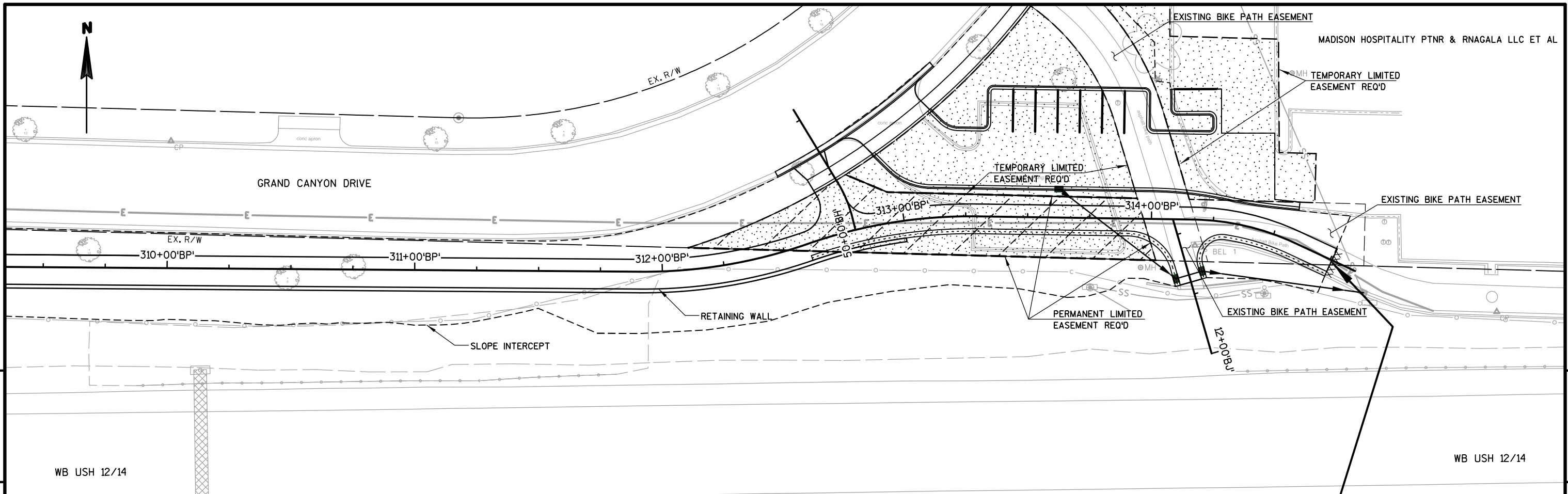


PROJECT NO: 5992-10-31 HWY: GAMMON RD COUNTY: DANE PLAN AND PROFILE - BIKE PATH SCALE, FEET $\frac{1}{40}$ SHEET **E**



PROJECT NO: 5992-10-31 | HWY: GAMMON RD | COUNTY: DANE | PLAN AND PROFILE - BIKE PATH | SCALE, FEET 0 20 40 | SHEET E





PROJECT NO: 5992-10-31 | HWY: GAMMON RD | COUNTY: DANE | PLAN AND PROFILE - BIKE PATH | SCALE, FEET 0 20 40 | SHEET | E