

SMOKE & CARBON MONOXIDE ALARMS

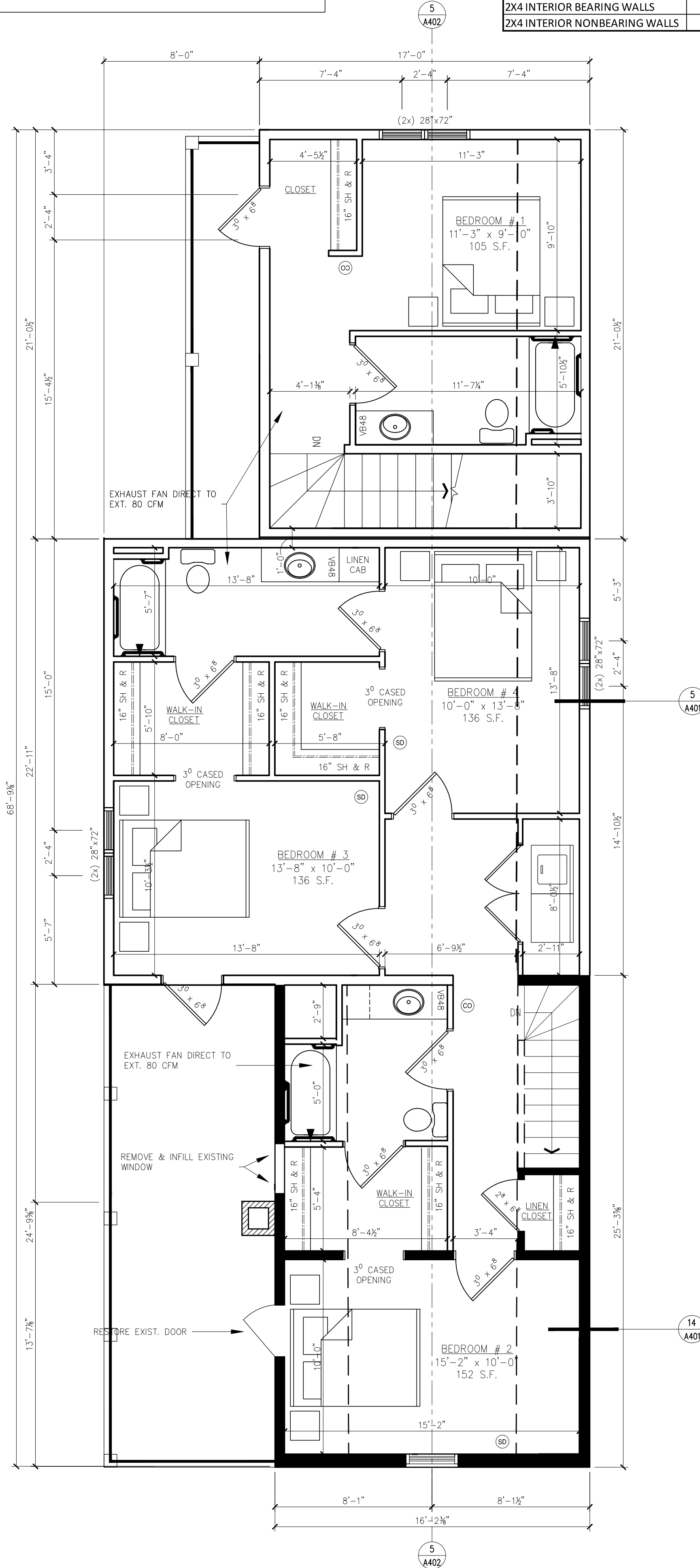
- Ⓢ IONIZATION SMOKE DETECTOR HARDWIRED & INTERCONNECTED W/ BATTERY BACKUP
- Ⓢ COMBINATION CARBON MONOXIDE & IONIZATION SMOKE DETECTOR HARDWIRED & INTERCONNECTED W/ BATTERY BACKUP

PERSPECTIVE STRUCTURAL SIZING & SPACING (UDC TABLE 21.25-A)

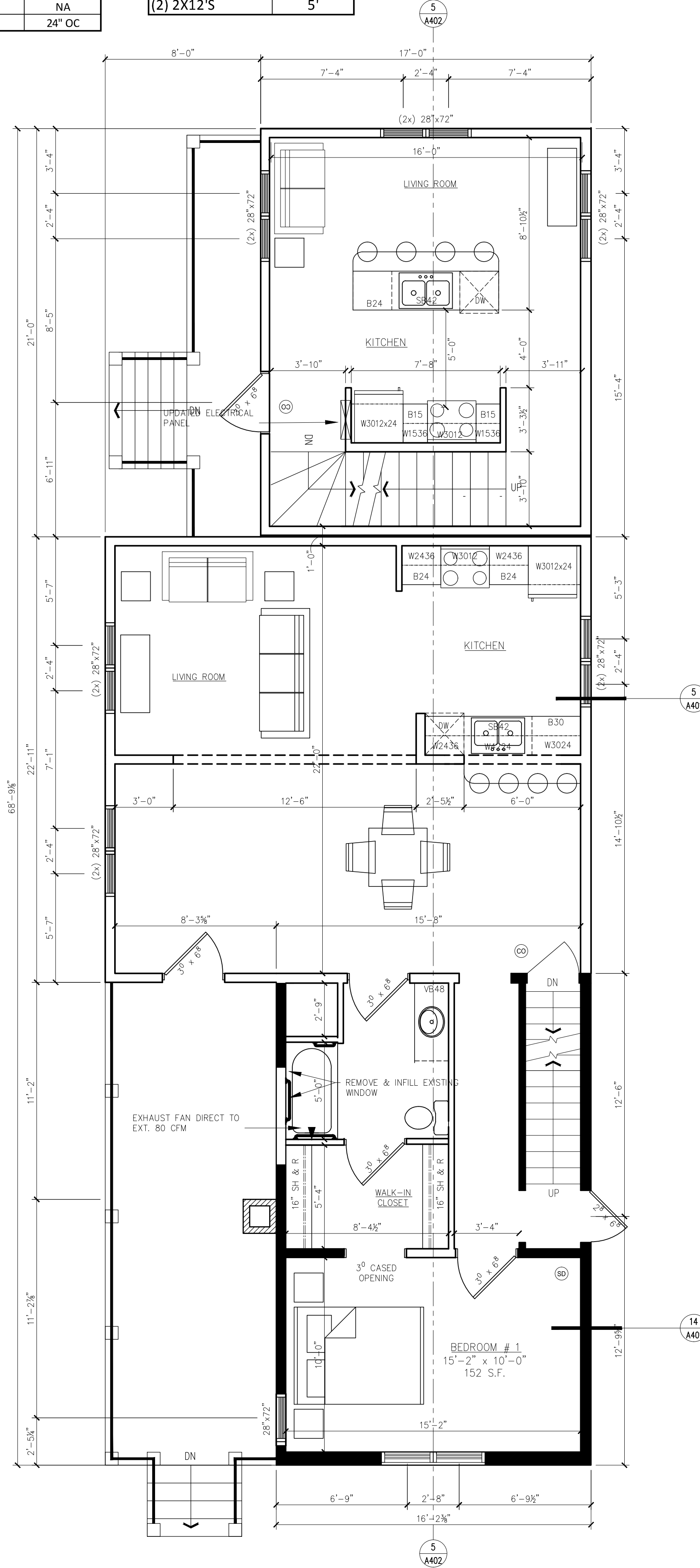
	LATERALLY UNSUPPORTED STUD HEIGHT	MAX SPACING SUPPORTING ONE FLOOR, ROOF AND CEILING	MAX SPACING
2X6 EXTERIOR BEARING WALLS	10'	24" OC	NA
2X6 INTERIOR BEARING WALLS	10'	24" OC	NA
2X4 INTERIOR BEARING WALLS	10'	16" OC	NA
2X4 INTERIOR NONBEARING WALLS	20'	NA	24" OC

ALLOWABLE HEADER SPANS (UDC TABLE 21.25-D)

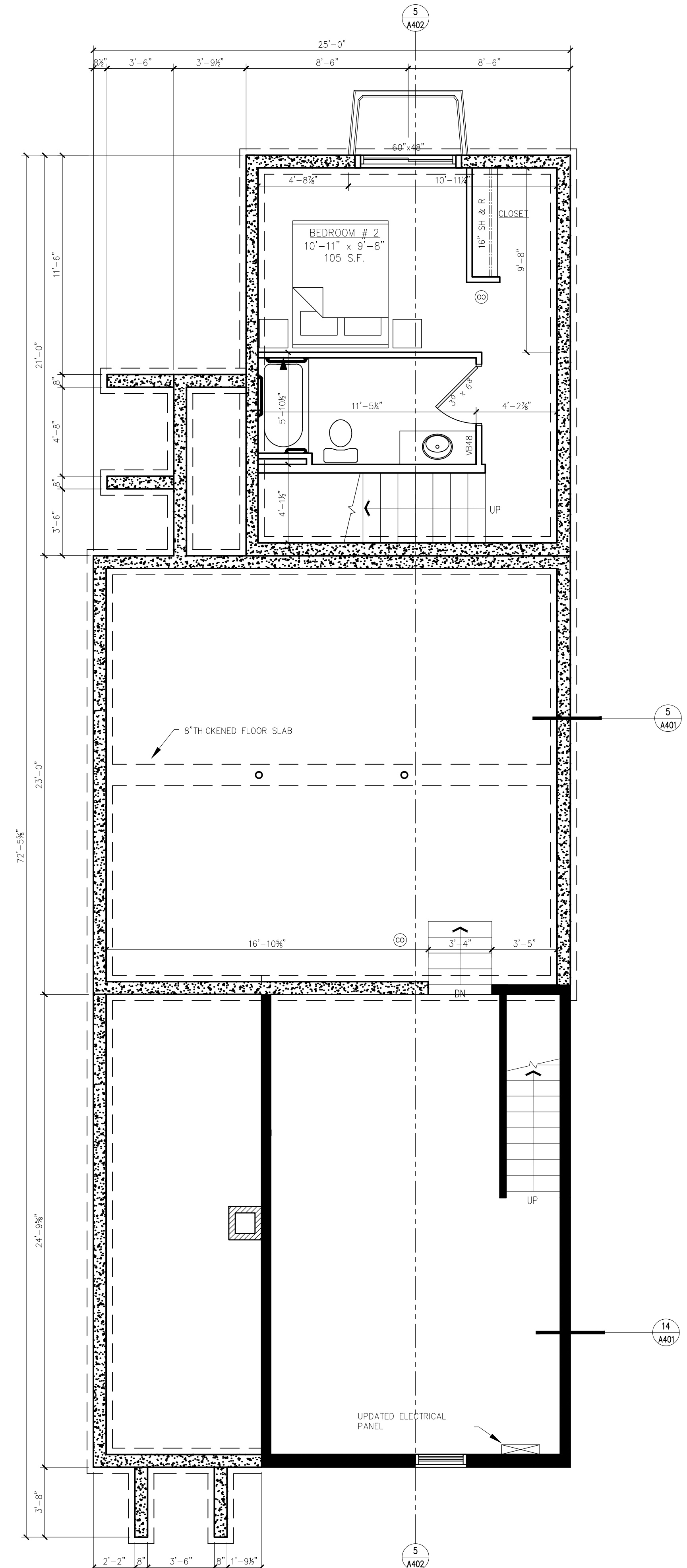
HEADER MEMBERS	MAX SPAN
(2) 2X6'S	2.5'
(2) 2X8'S	3'
(2) 2X10'S	4'
(2) 2X12'S	5'



SECOND FLOOR PLAN
1/4" = 1'-0"



FIRST FLOOR PLAN
1/4" = 1'-0"



BASEMENT PLAN
1/4" = 1'-0"

FRANKLIN STREET HOUSE
138 SOUTH FRANKLIN STREET
MADISON, WI 53703

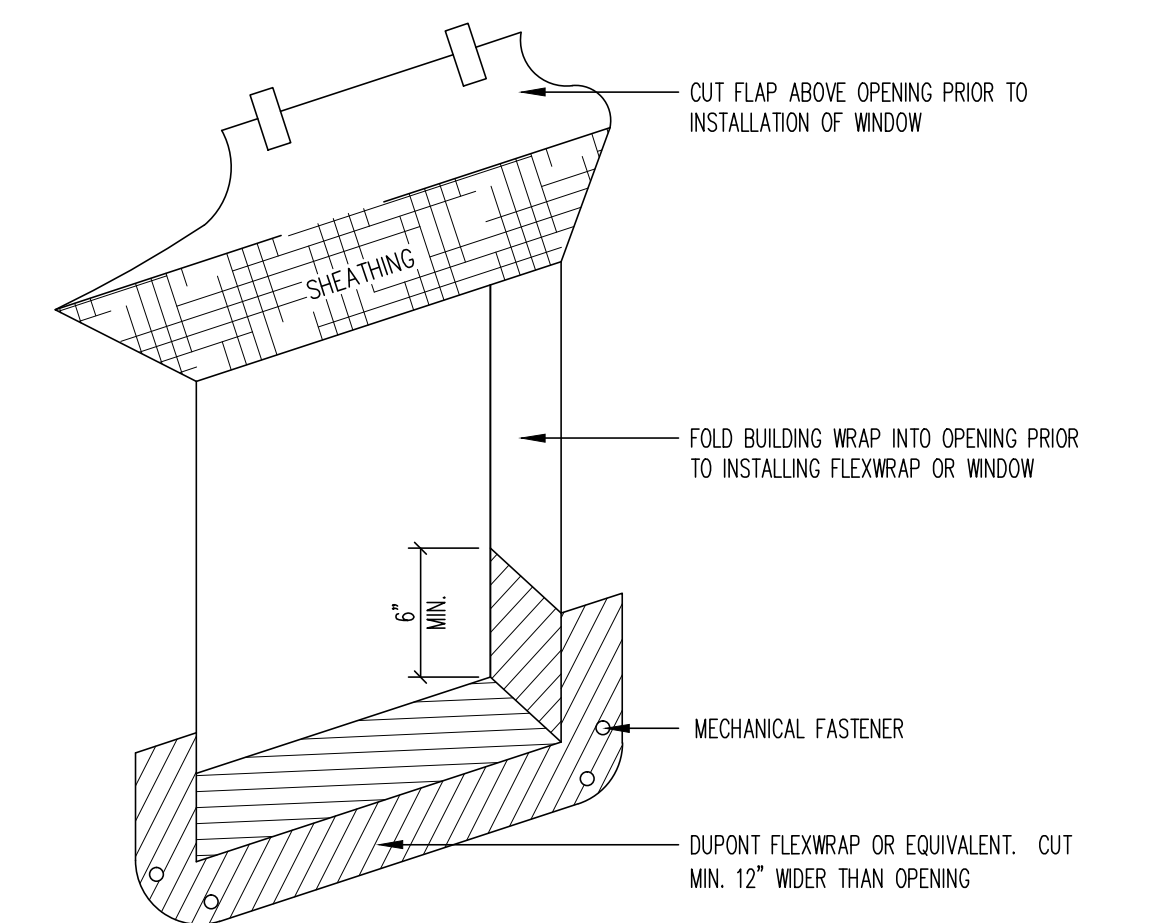
2016.05.16 LANDMARKS COMMISSION

Revisions	Issue Date:	2016.05.16
	Project No.:	x
	Drawn:	DMK
	Checked:	x
	Approved:	x

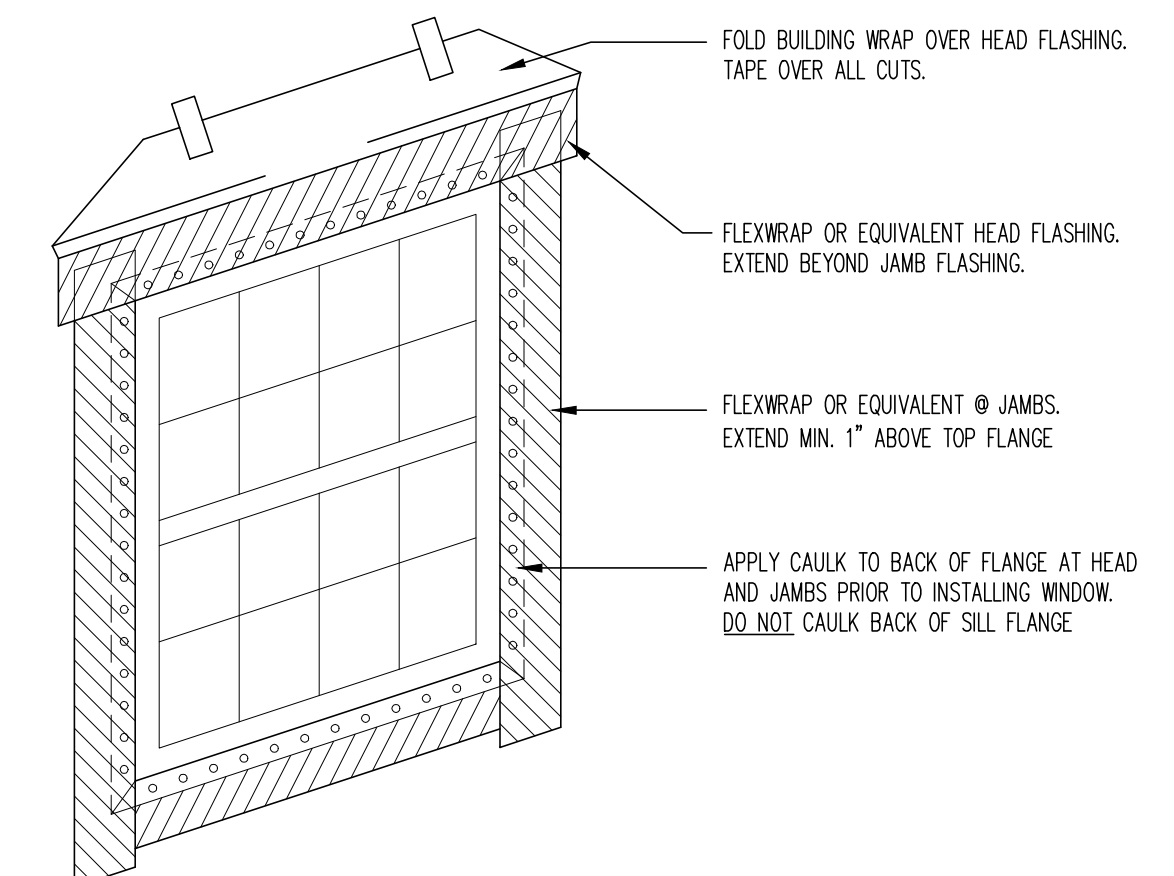
Issue Date: 2016.05.16
Project No. x
Drawn: DMK
Checked: x
Approved: x

Sheet Title
138 S. Franklin St.
FLOOR PLANS

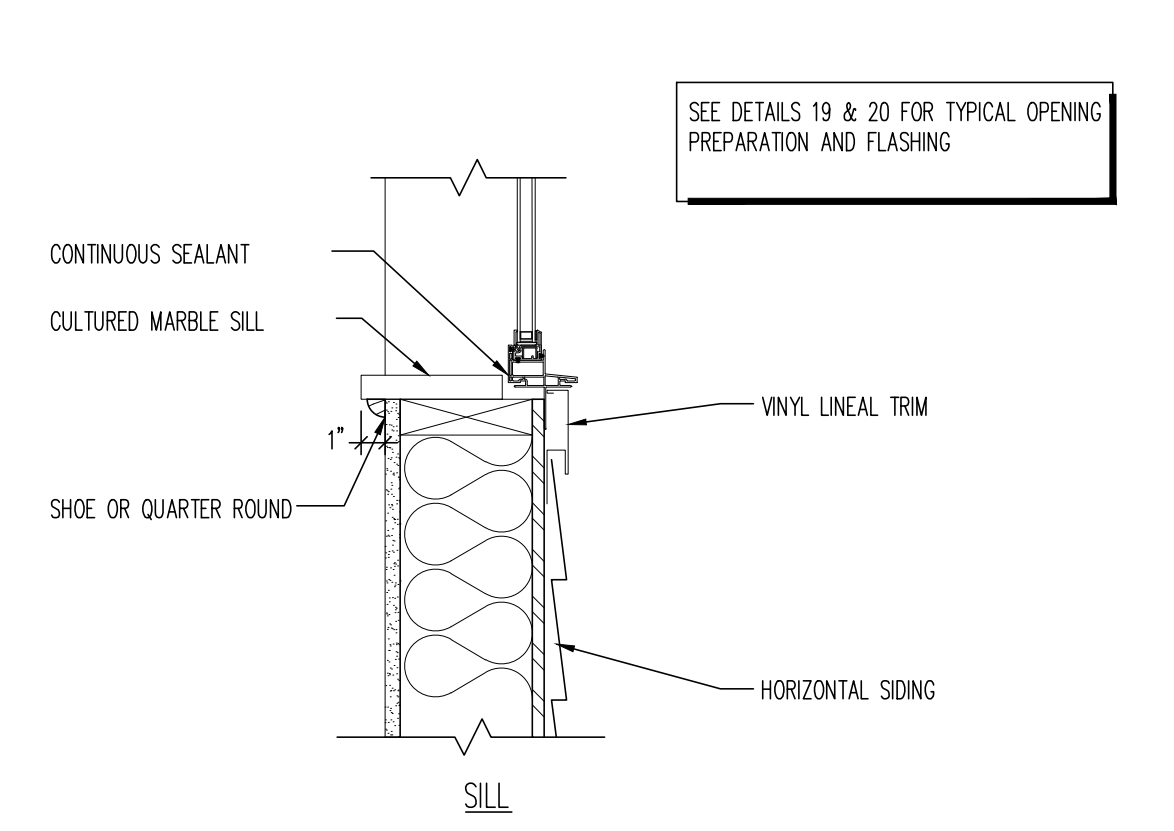
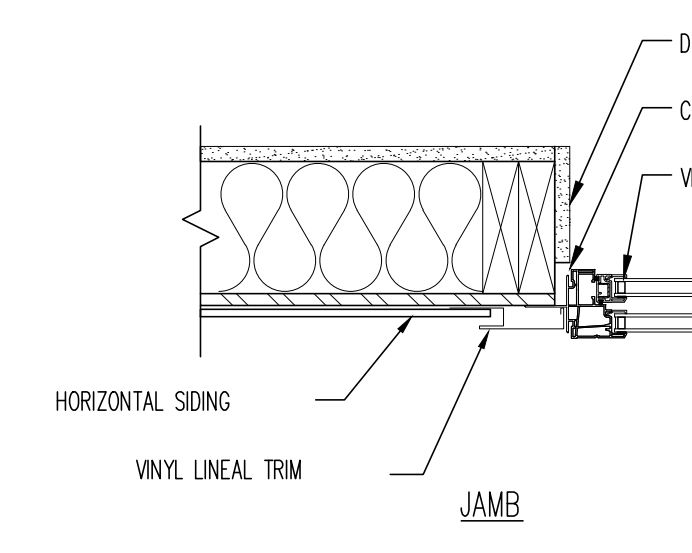
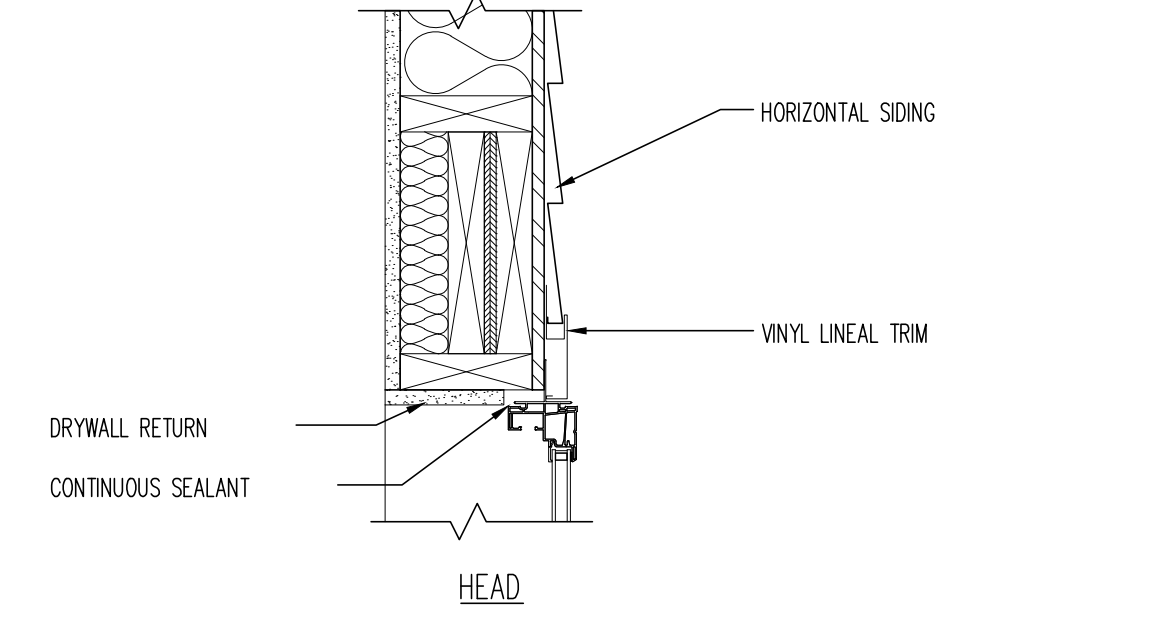
Sheet No.
A201



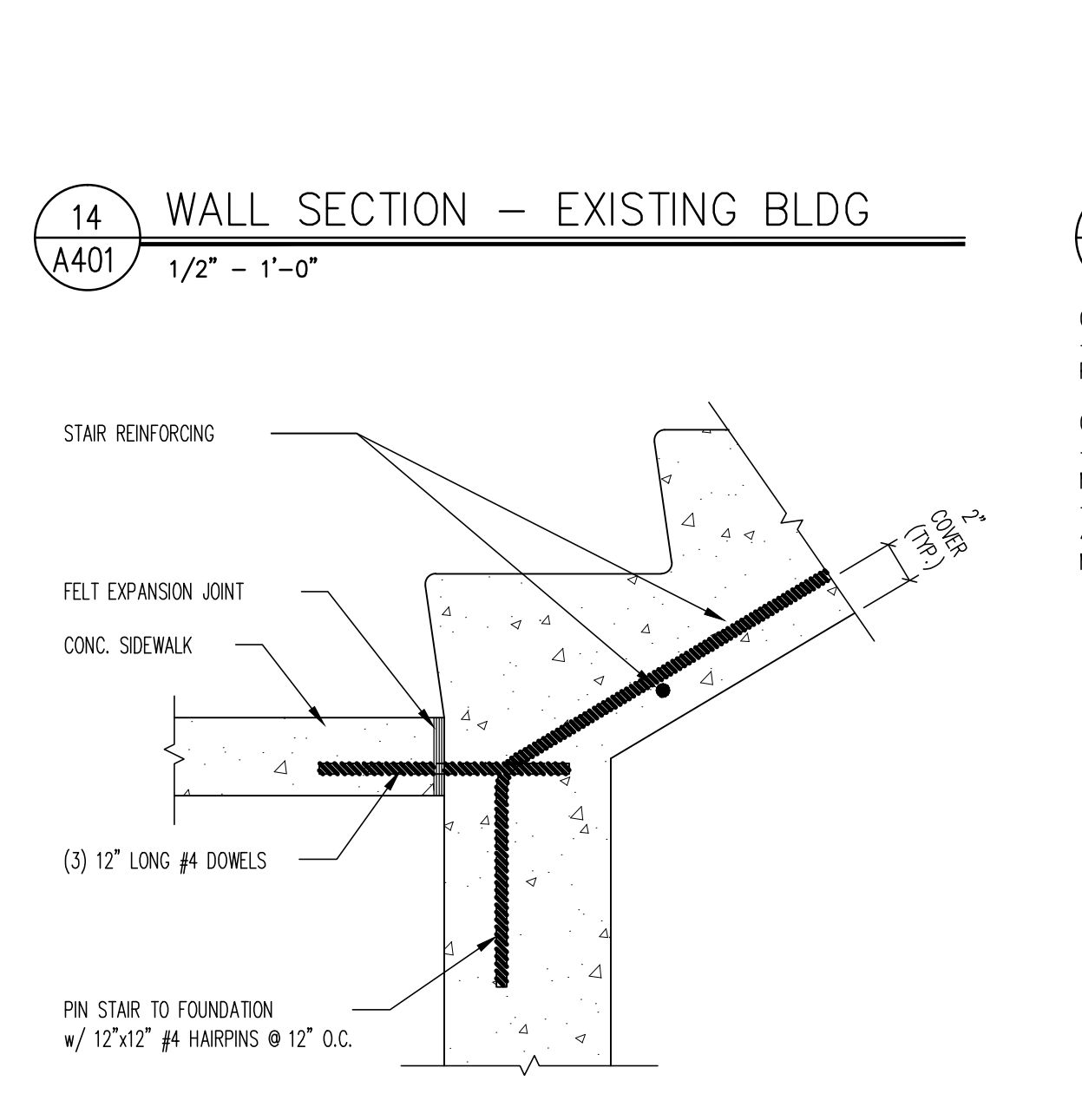
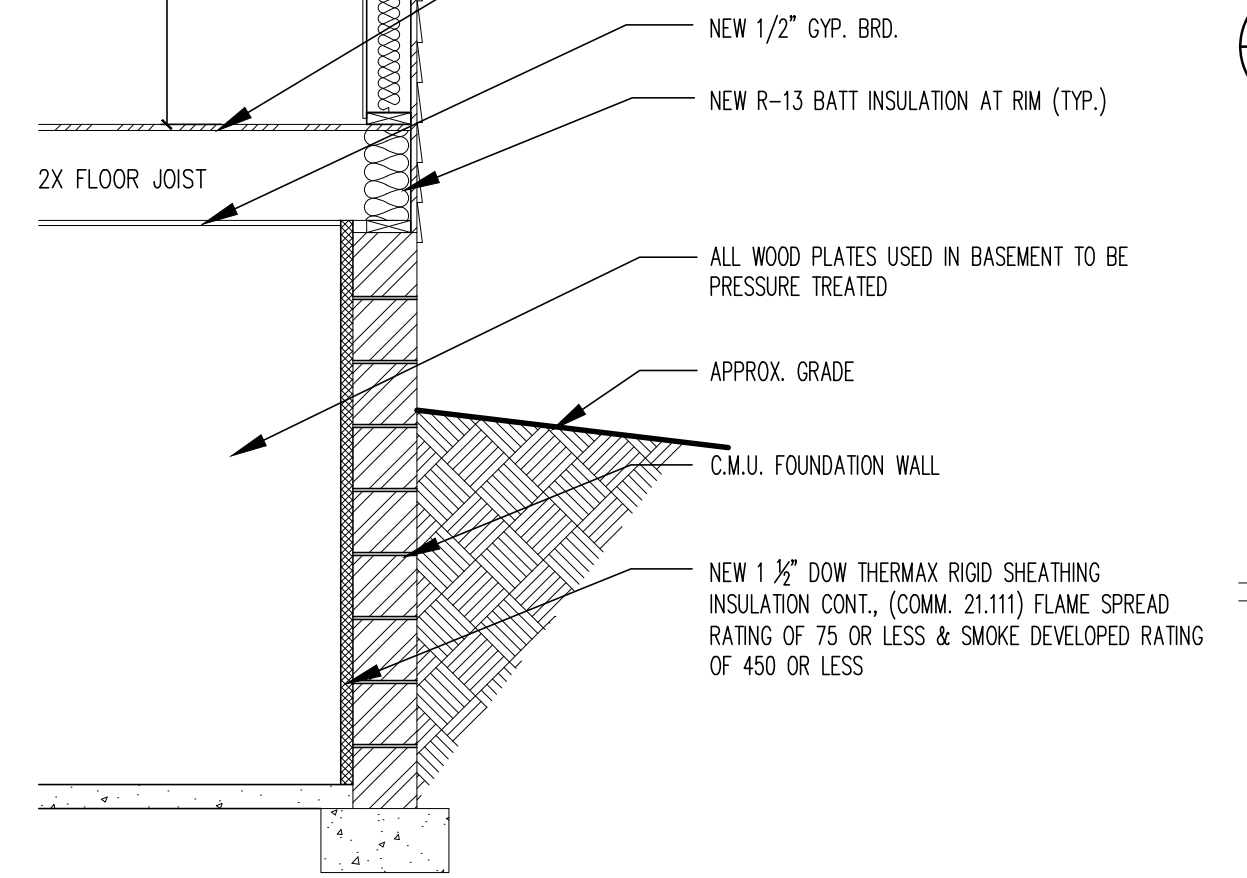
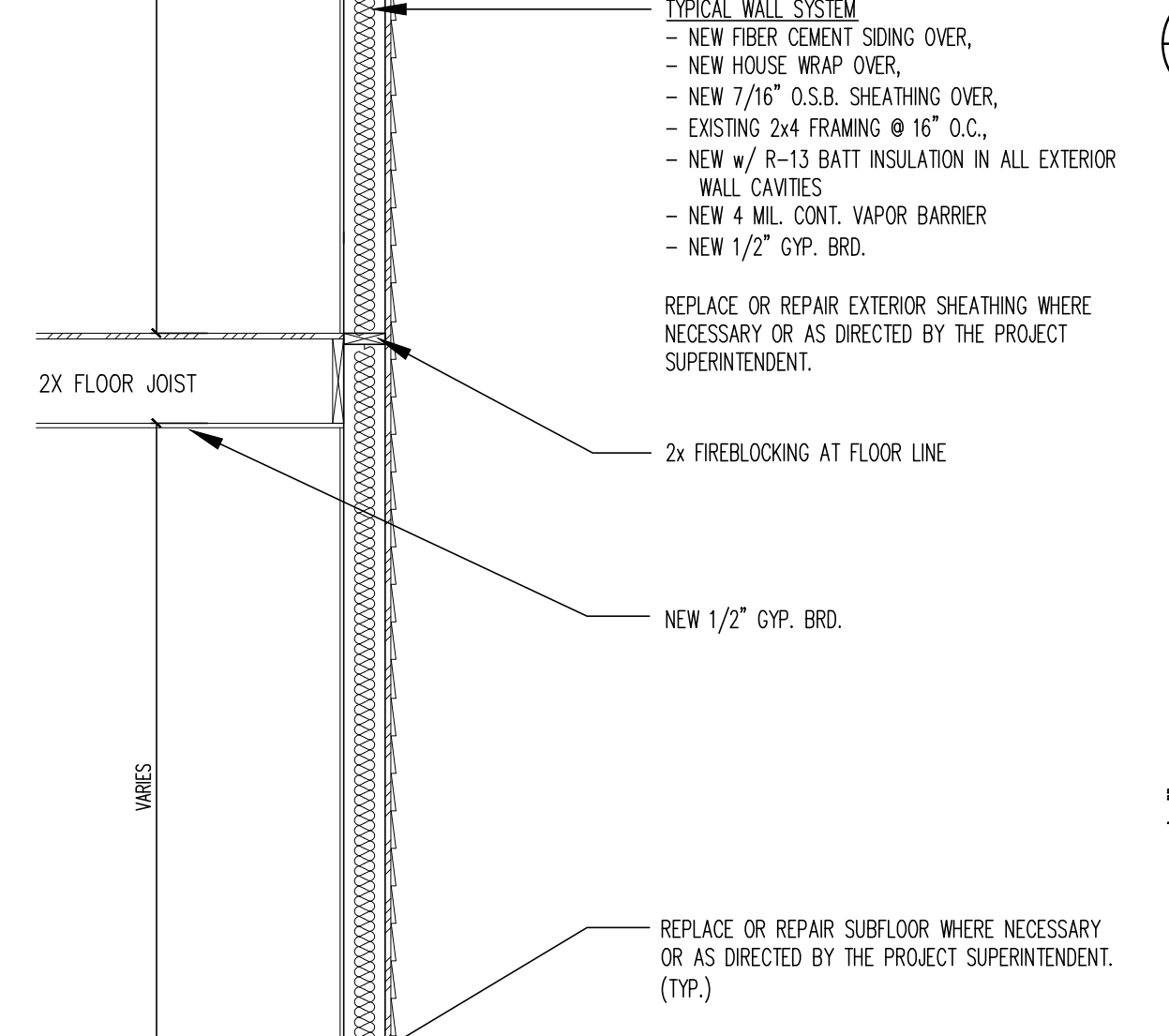
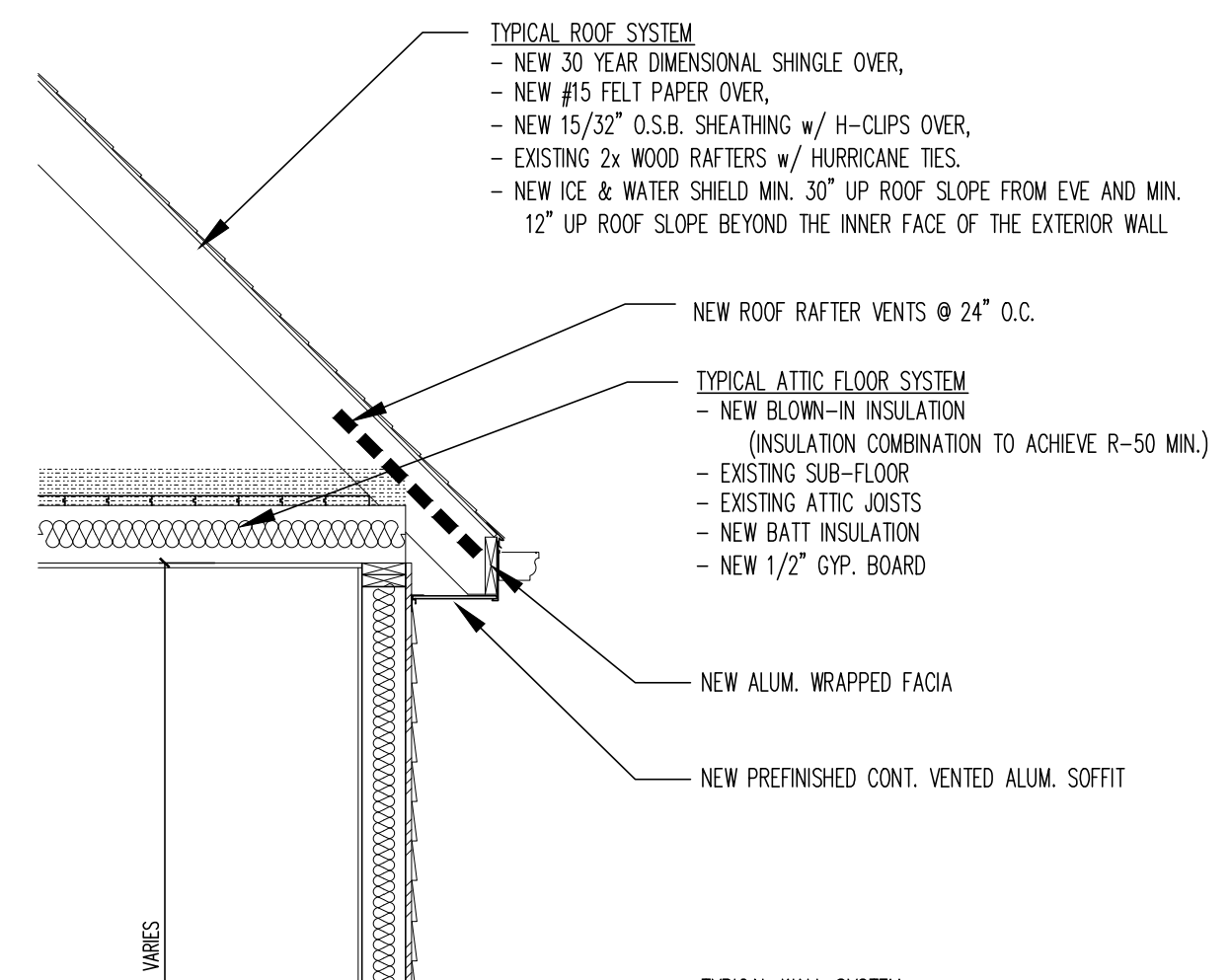
20
A401
OPENING PREP. DETAIL
N.T.S.



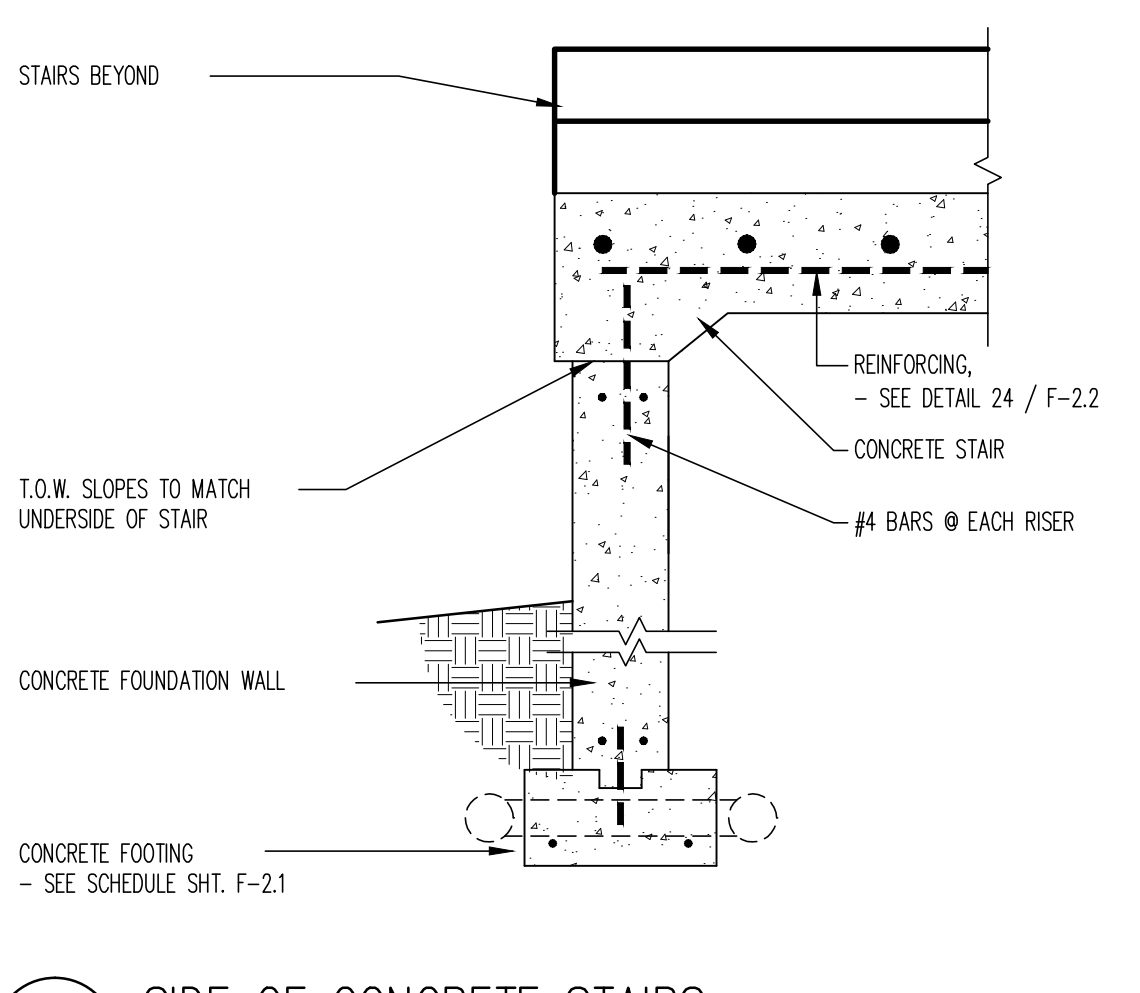
19
A401
WINDOW FLASHING DETAIL
N.T.S.



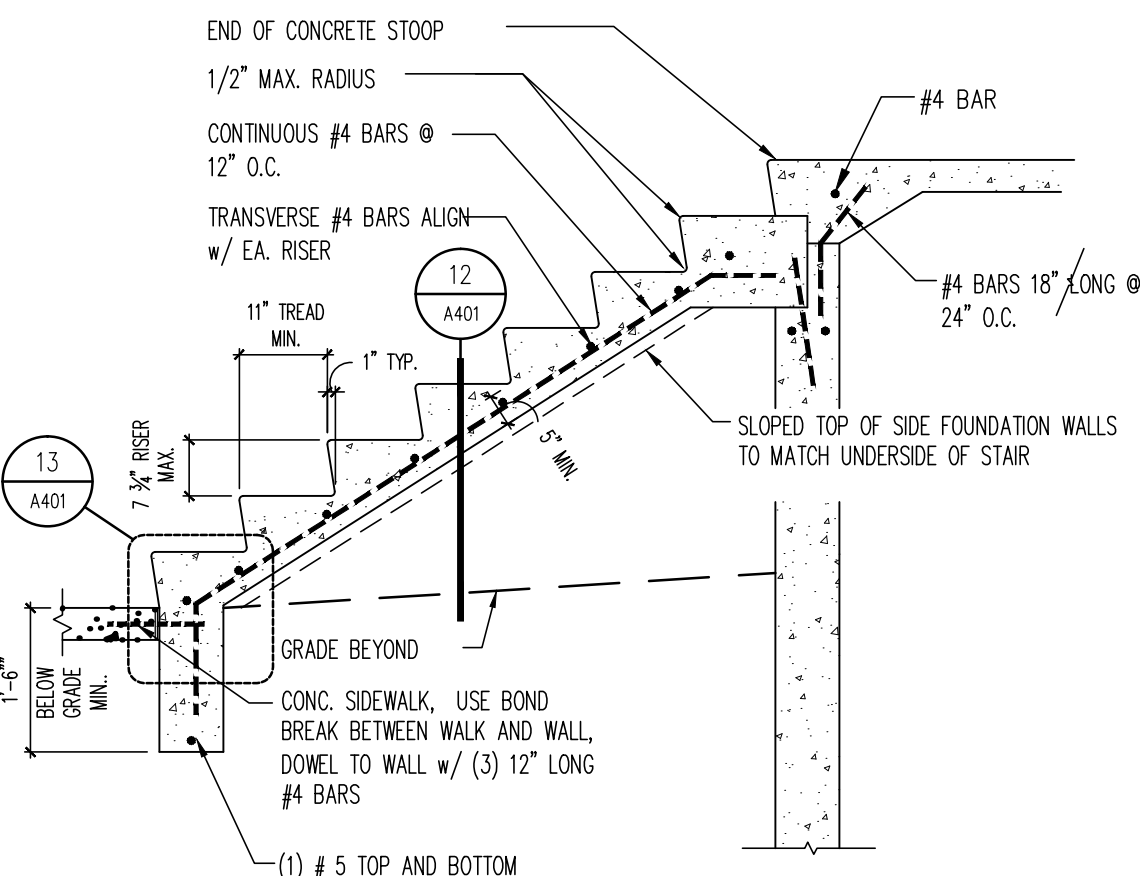
17
A401
VINYL WINDOW AT HORIZONTAL SIDING
1 1/2\"/>



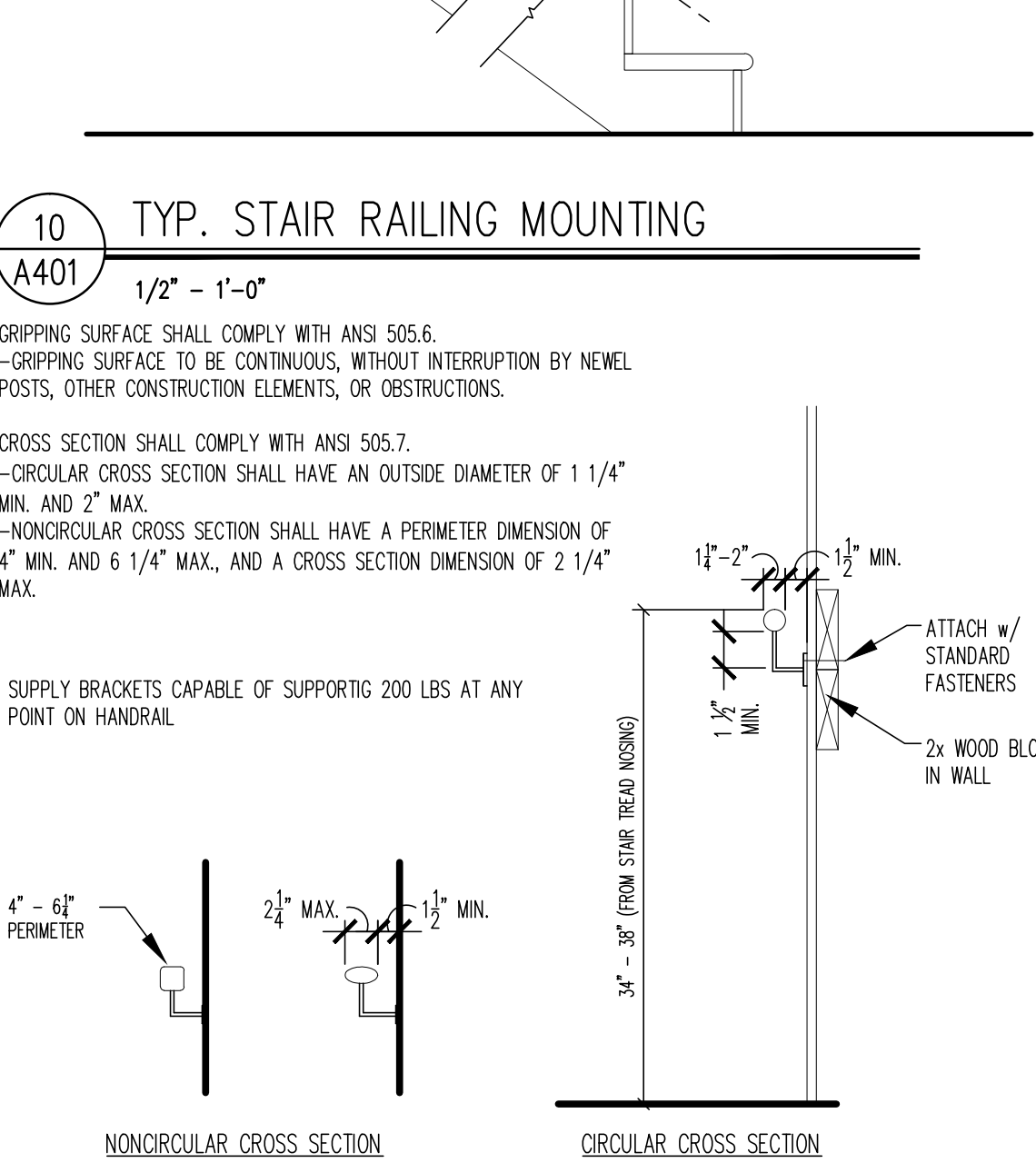
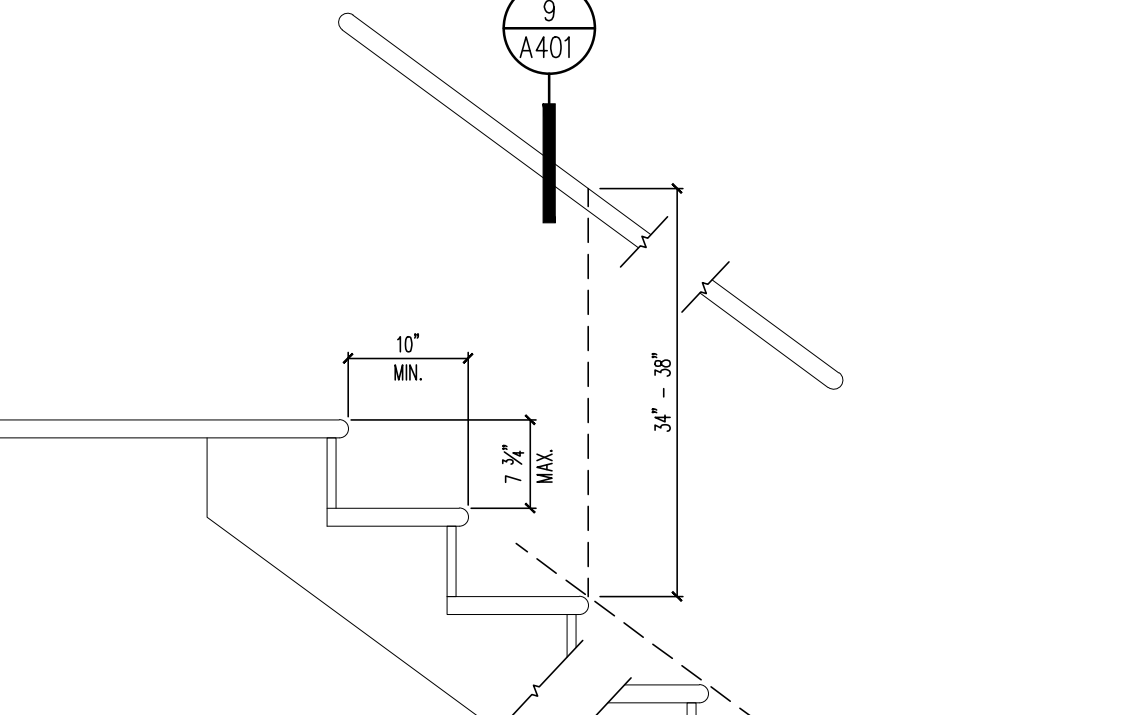
13
A401
STAIR FOOT DETAIL
1 1/2\"/>



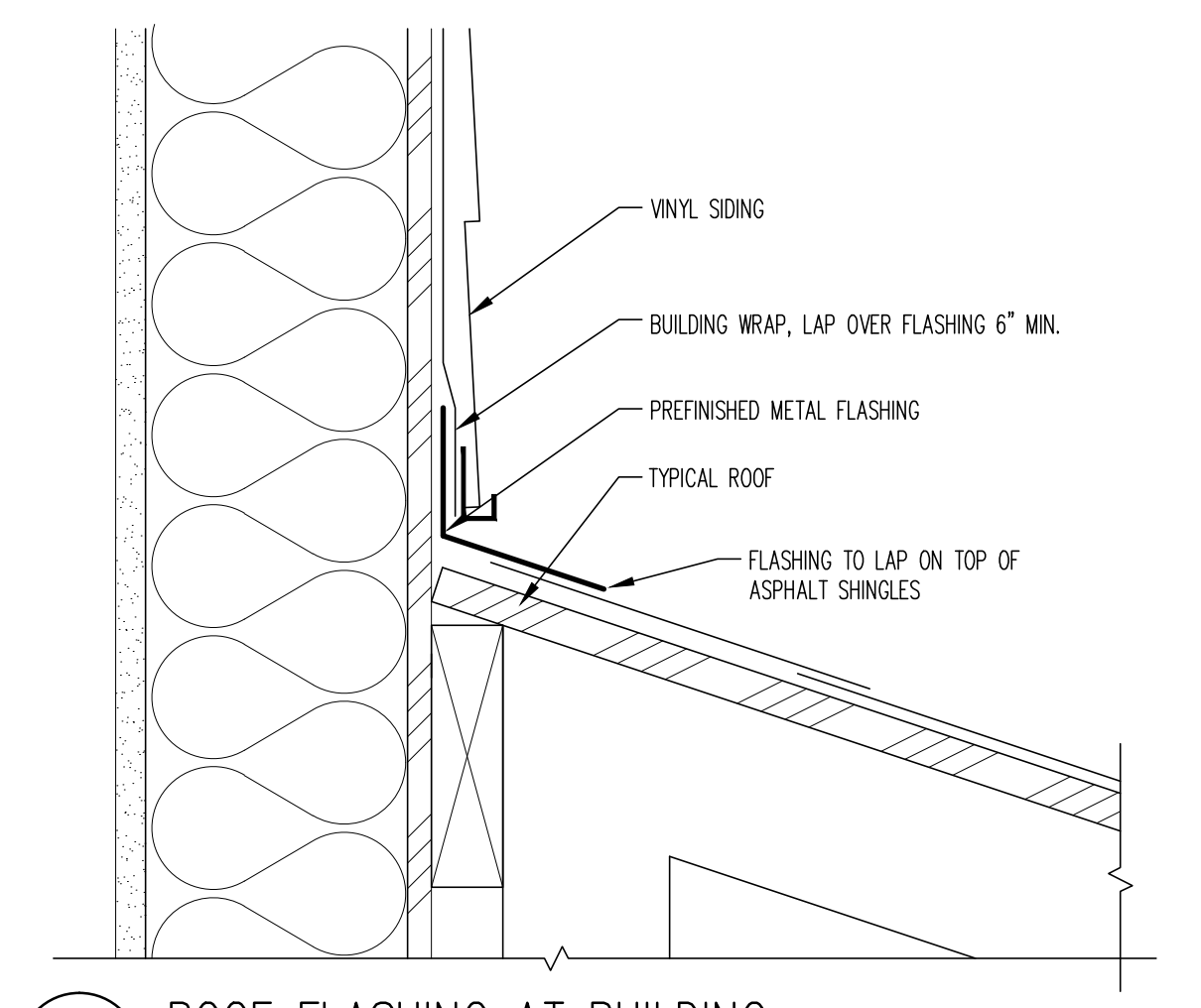
12
A401
SIDE OF CONCRETE STAIRS
3/4\"/>



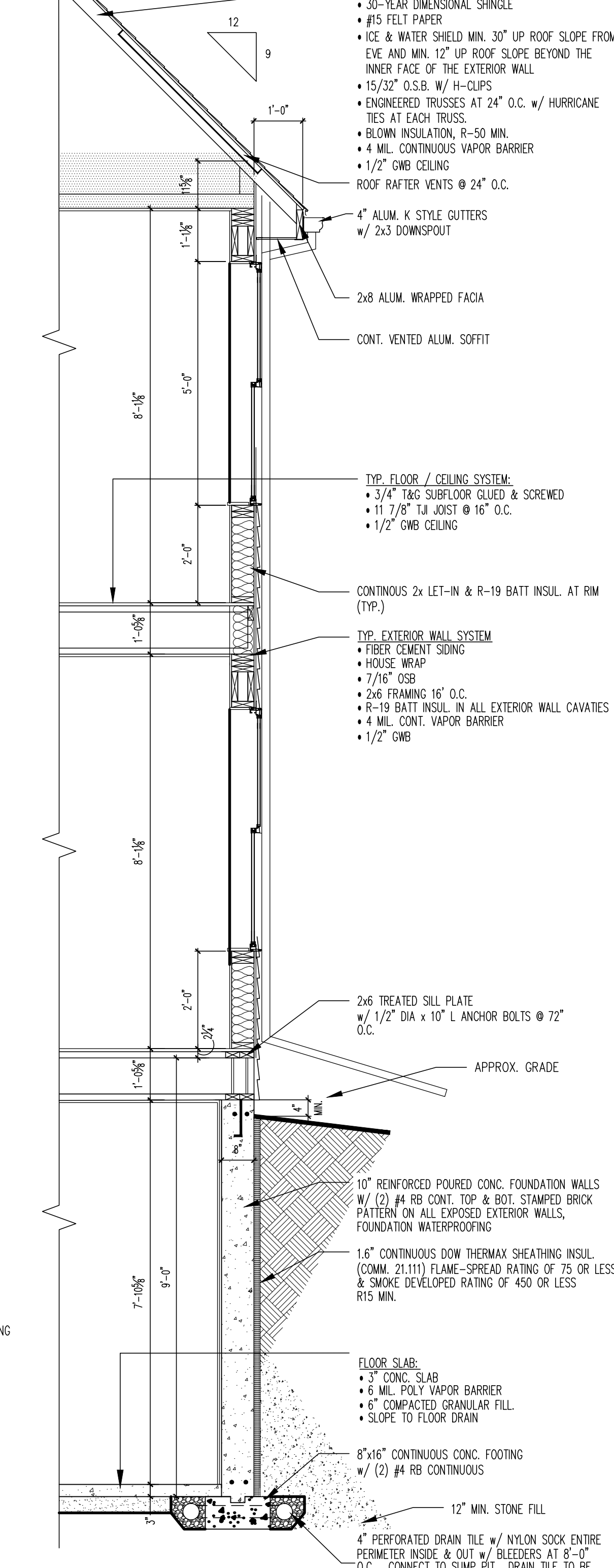
11
A401
CONCRETE STAIR AT STOOP
1/2\"/>



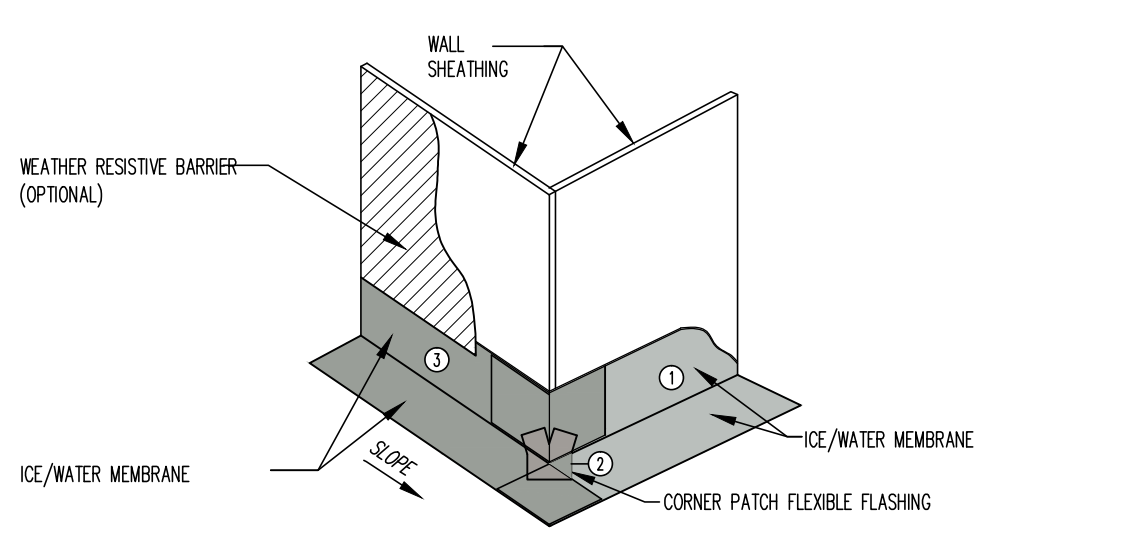
9
A401
TYP. STAIR RAILING SECTION
1\"/>



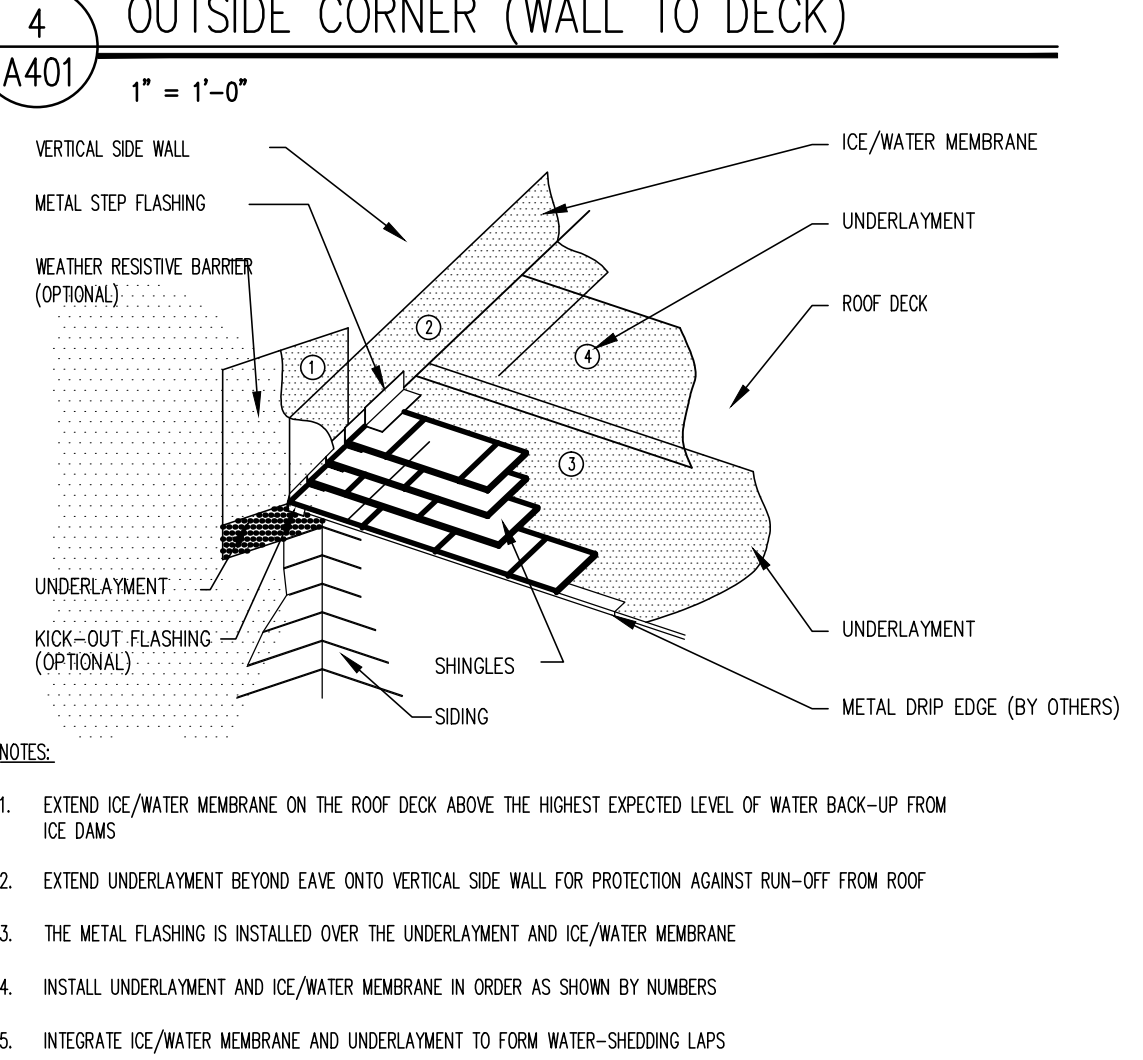
8
A401
ROOF FLASHING AT BUILDING
3\"/>



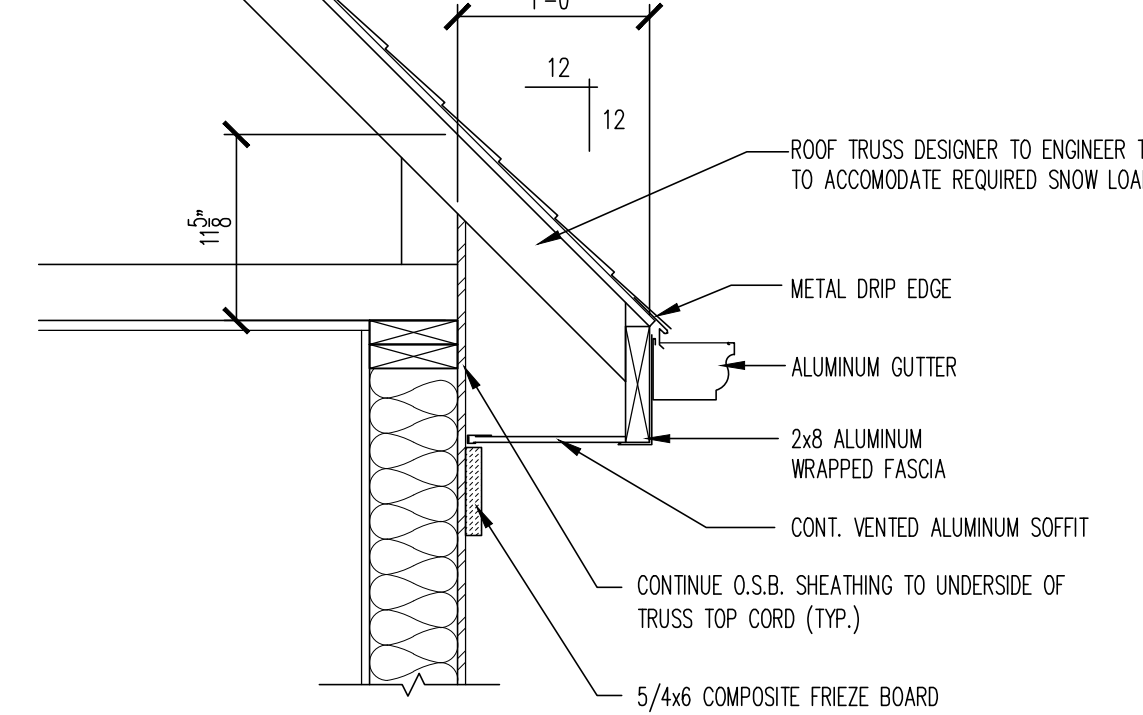
5
A401
WALL SECTION - NEW CONSTRUCTION
1/2\"/>



4
A401
OUTSIDE CORNER (WALL TO DECK)
1\"/>

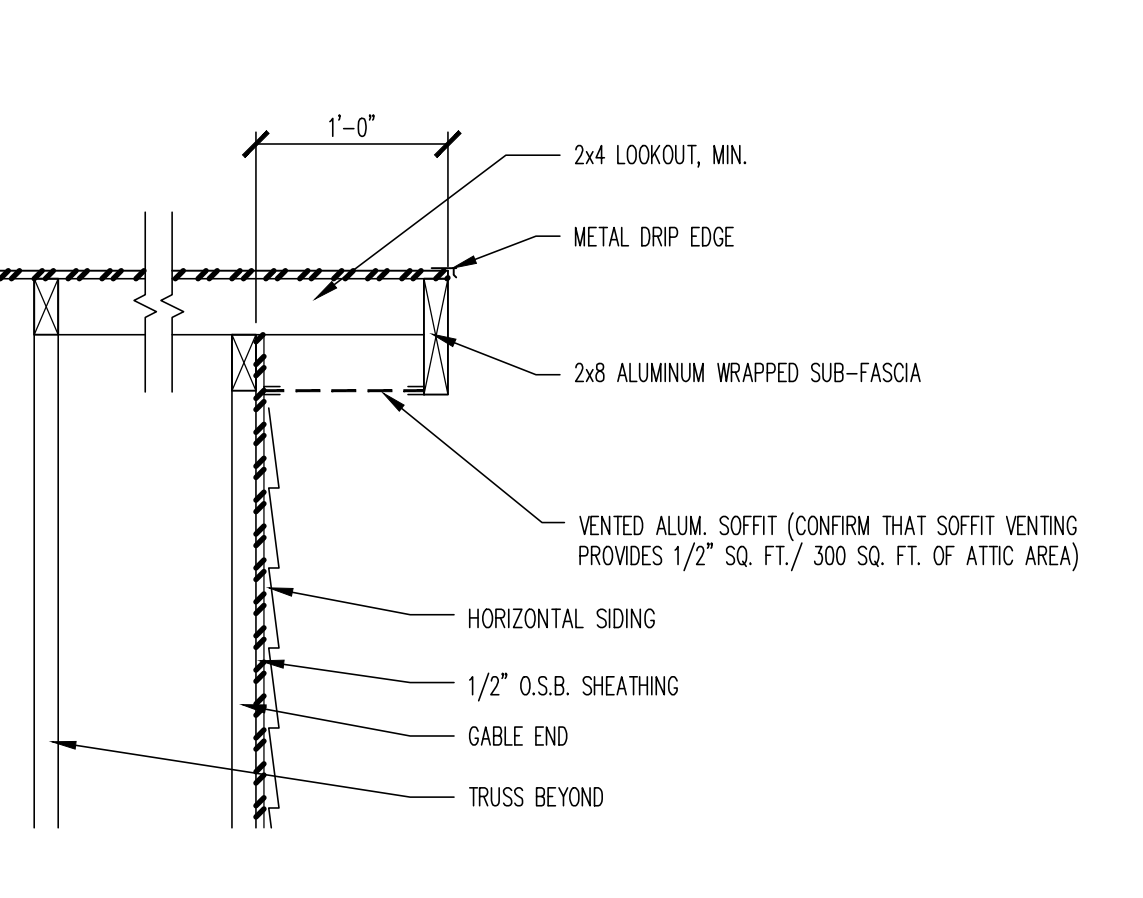


3
A401
VERTICAL SIDE WALL
N.T.S.



INSTALL "GRADE" ICE & WATER SHIELD, AT ALL ROOF EAVES AND VALLEYS. EXTEND FROM THE EAVE'S EDGE TO A POINT AT LEAST 24\"/>

2
A401
EAVE W/ DRIP EDGE STRIPPED-IN
1\"/>



1
A401
FASCIA @ RAKE AT HORIZONTAL SIDING
1\"/>

FRANKLIN STREET HOUSE

138 SOUTH FRANKLIN STREET
MADISON, WI 53703

2016.05.16 LANDMARKS COMMISSION	
Date	Revisions

Issue Date: 2016.05.16
 Project No. _____
 Drawn: DMK
 Checked: _____
 Approved: _____

Sheet Title

138 S. Franklin St.
 SECTIONS & DETAILS

Sheet No.
A401

