

SIGNAGE FOR FRONT ELEVATION

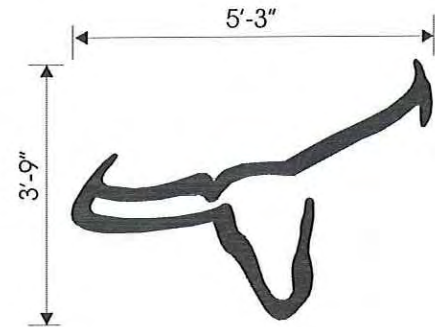
see architectural elevations for sign locations



3'-0" RACEWAY MOUNTED CHANNEL LTRS - RED FACES W/ WHITE PERFORATED VINYL  
FIRST SURFACE W/ RED LED ILLUMINATION.



1'-0" RACEWAY MOUNTED CHANNEL LETTERS W/WHITE FACES

SCALE FOR SIGN GRAPHICS : 3/8" = 1'-0"



3'-9" X 5'-3" REVERSE CHANNEL  
STEER HEAD BLACK  
W/ WHITE LED BACKLIT ILLUMINATION  
SCALE: 3/8" = 1'-0"

THIS DRAWING IS FOR CONCEPTION PURPOSES ONLY. DUE TO CONSTRUCTION CONSTRAINTS SIZES OR LAYOUT MAY CHANGE.

 1771 INDUSTRIAL ROAD, DOTHAN AL. 36303 PHONE (334) 836-1400 FAX (334) 836-1401	ACCOUNT REP: <b>Barbara Tew</b>	CLIENT: <b>LONGHORN</b>	REVISED:	REVISED:	
		LOCATION: MADISON, WISCONSIN	REVISED:	REVISED:	
	SCALE: <b>NTS</b>	DATE: <b>08/14/2008</b>	REVISED:	REVISED:	
	DRAWN BY: <b>RIGSBY</b>	DWG. NO.: <b>LHSH_STD_SITE_05</b>	REVISED:	REVISED:	

SIGNAGE FOR LEFT ELEVATION



see architectural elevations for sign locations



3'-0" RACEWAY MOUNTED CHANNEL LTRS - RED FACES W/ WHITE PERFORATED VINYL  
 FIRST SURFACE W/ RED LED ILLUMINATION.  
 1'-0" RACEWAY MOUNTED CHANNEL LETTERS W/WHITE FACES

SCALE FOR SIGN GRAPHICS : 3/8" = 1'-0"

THIS DRAWING IS FOR CONCEPTION PURPOSES ONLY. DUE TO CONSTRUCTION CONSTRAINTS SIZES OR LAYOUT MAY CHANGE.

	ACCOUNT REP: <b>Barbara Tew</b>	CLIENT: <b>LONGHORN</b>	REVISED:	REVISED:	
		LOCATION: MADISON, WISCONSIN	REVISED:	REVISED:	
1771 INDUSTRIAL ROAD, DOTHAN AL. 36303 PHONE (334) 836-1400 FAX (334) 836-1401	SCALE: <b>NTS</b>	DATE: <b>08/14/2008</b>	REVISED:	REVISED:	
	DRAWN BY: <b>RIGSBY</b>	DWG. NO.: <b>LHSH_STD_SITE_06</b>	REVISED:	REVISED:	

SIGNAGE FOR RIGHT ELEVATION

see architectural elevations for sign locations





3'-0" RACEWAY MOUNTED CHANNEL LTRS - RED FACES W/ WHITE PERFORATED VINYL  
FIRST SURFACE W/ RED LED ILLUMINATION.

1'-0" RACEWAY MOUNTED CHANNEL LETTERS W/WHITE FACES

SCALE FOR SIGN GRAPHICS : 3/8" = 1'-0"

THIS DRAWING IS FOR CONCEPTION PURPOSES ONLY. DUE TO CONSTRUCTION CONSTRAINTS SIZES OR LAYOUT MAY CHANGE.

	ACCOUNT REP: <b>Barbara Tew</b>	CLIENT: <b>LONGHORN</b>	REVISED:	REVISED:	
		LOCATION: MADISON, WISCONSIN	REVISED:	REVISED:	
1771 INDUSTRIAL ROAD, DOTHAN AL. 36303 PHONE (334) 836-1400 FAX (334) 836-1401	SCALE: <b>NTS</b>	DATE: <b>08/14/2008</b>	REVISED:	REVISED:	
	DRAWN BY: <b>RIGSBY</b>	DWG. NO.: <b>LHSH_STD_SITE_07</b>	REVISED:	REVISED:	

SIGNAGE FOR REAR ELEVATION

see architectural elevations for sign locations



3'-0" RACEWAY MOUNTED CHANNEL LTRS - RED FACES W/ WHITE PERFORATED VINYL

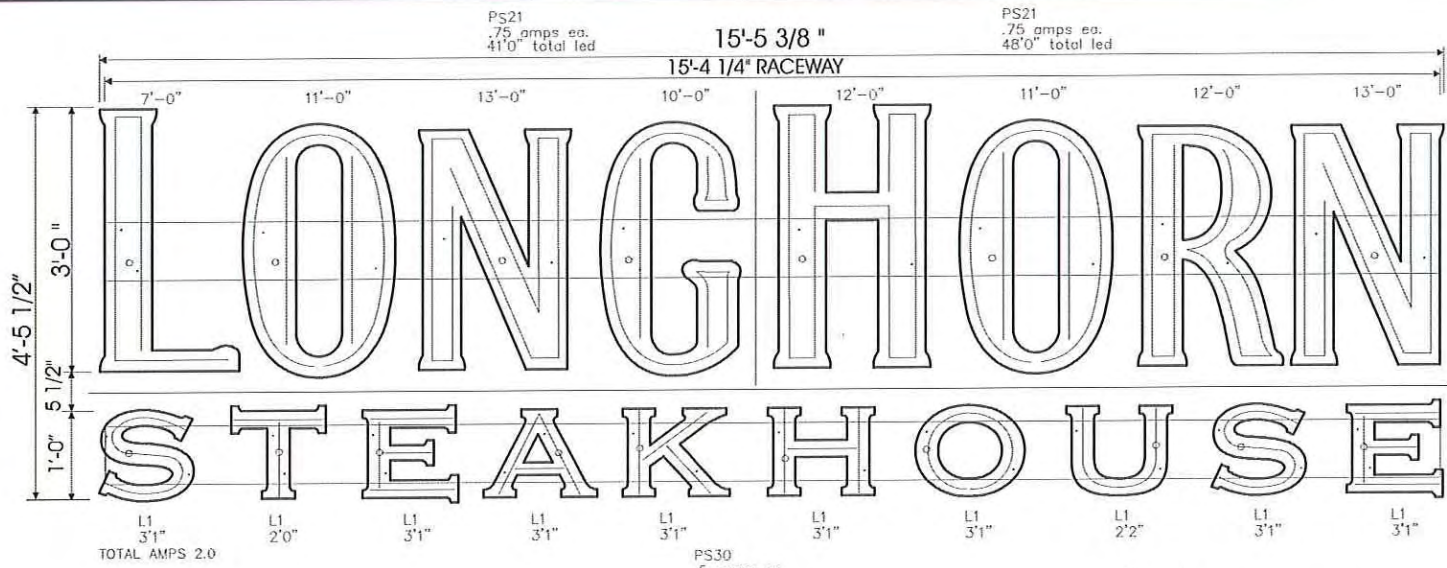
FIRST SURFACE W/ RED LED ILLUMINATION.

1'-0" RACEWAY MOUNTED CHANNEL LETTERS W/WHITE FACES

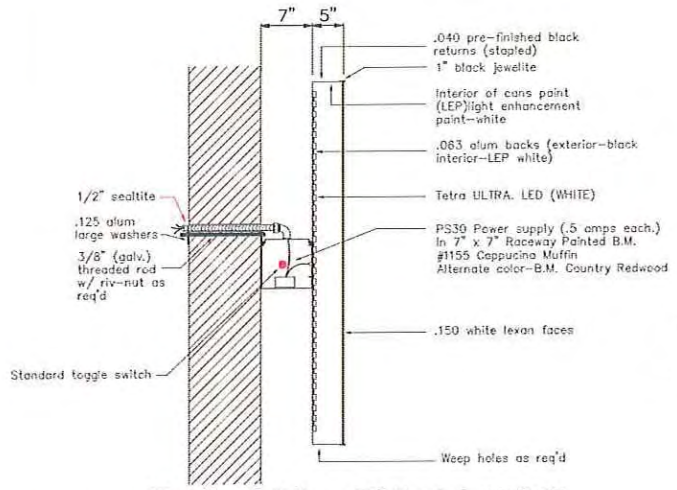
SCALE FOR SIGN GRAPHICS : 3/8" = 1'-0"

THIS DRAWING IS FOR CONCEPTION PURPOSES ONLY. DUE TO CONSTRUCTION CONSTRAINTS SIZES OR LAYOUT MAY CHANGE.

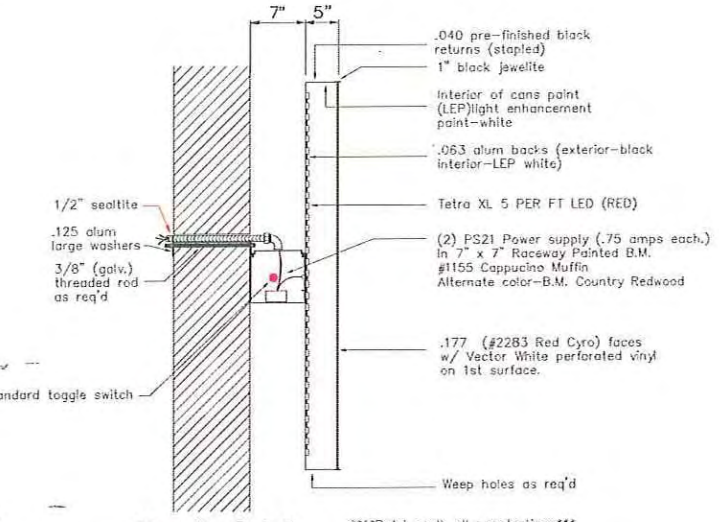
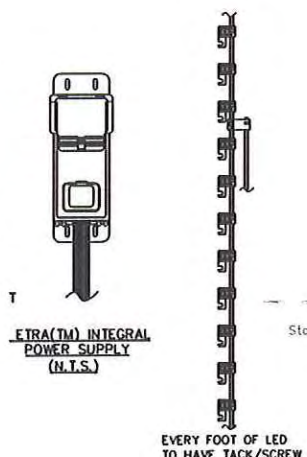
<b>I.D.</b>	ACCOUNT REP: <b>Barbara Tew</b>	CLIENT: <b>LONGHORN</b>	REVISED:	REVISED:	
	<b>ASSOCIATES</b>	LOCATION: MADISON, WISCONSIN	DATE: <b>08/14/2008</b>	REVISED:	
1771 INDUSTRIAL ROAD, DOTHAN AL. 36303		SCALE: <b>NTS</b>	DWG. NO.: <b>LHSH_STD_SITE_08</b>	REVISED:	
PHONE (334) 836-1400 FAX (334) 836-1401	DRAWN BY: <b>RIGSBY</b>		REVISED:	REVISED:	



PS30  
.5 amps ea.  
28'10" total led  
Total Amps= .5



**Mounting Detail**  
**12" Raceway Mounted Letters (LED)**



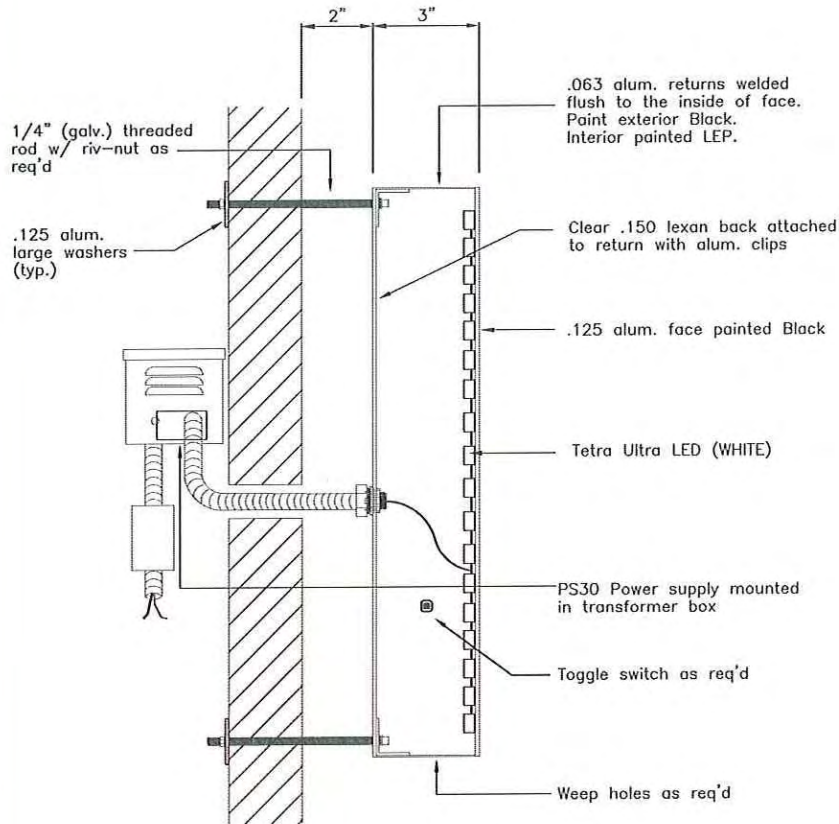
**Mounting Detail**  
**36" Raceway Mounted Letters (LED)**

**TOTAL SQ. FT.: 68.87**

**THIS DRAWING IS FOR CONCEPTION PURPOSES ONLY. DUE TO CONSTRUCTION CONSTRAINTS SIZES OR LAYOUT MAY CHANGE.**

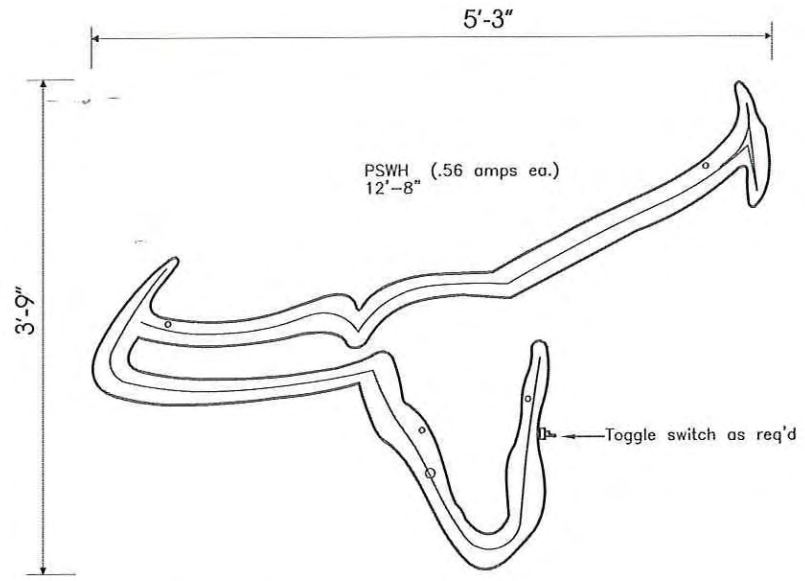
<b>I.D. ASSOCIATES</b> 1771 INDUSTRIAL ROAD, DOTHAN AL. 36303 PHONE (334) 836-1400 FAX (334) 836-1401	ACCOUNT REP: <b>Barbara Tew</b>	CLIENT: <b>LONGHORN</b>	REVISED:	REVISED:
	LOCATION: MADISON, WISCONSIN	SCALE: <b>NTS</b>	DATE: <b>08/14/2008</b>	REVISED:
	DRAWN BY: <b>RIGSBY</b>	DWG. NO.: <b>LHSH_STD_SITE_01</b>	REVISED:	REVISED:
			REVISED:	REVISED:





**Mounting Detail**  
**45° REVERSE CHANNEL STEER HEAD**

\*\*\*Butyl caulk all penetrations\*\*\*




**45° REVERSE CHANNEL STEERHEAD**

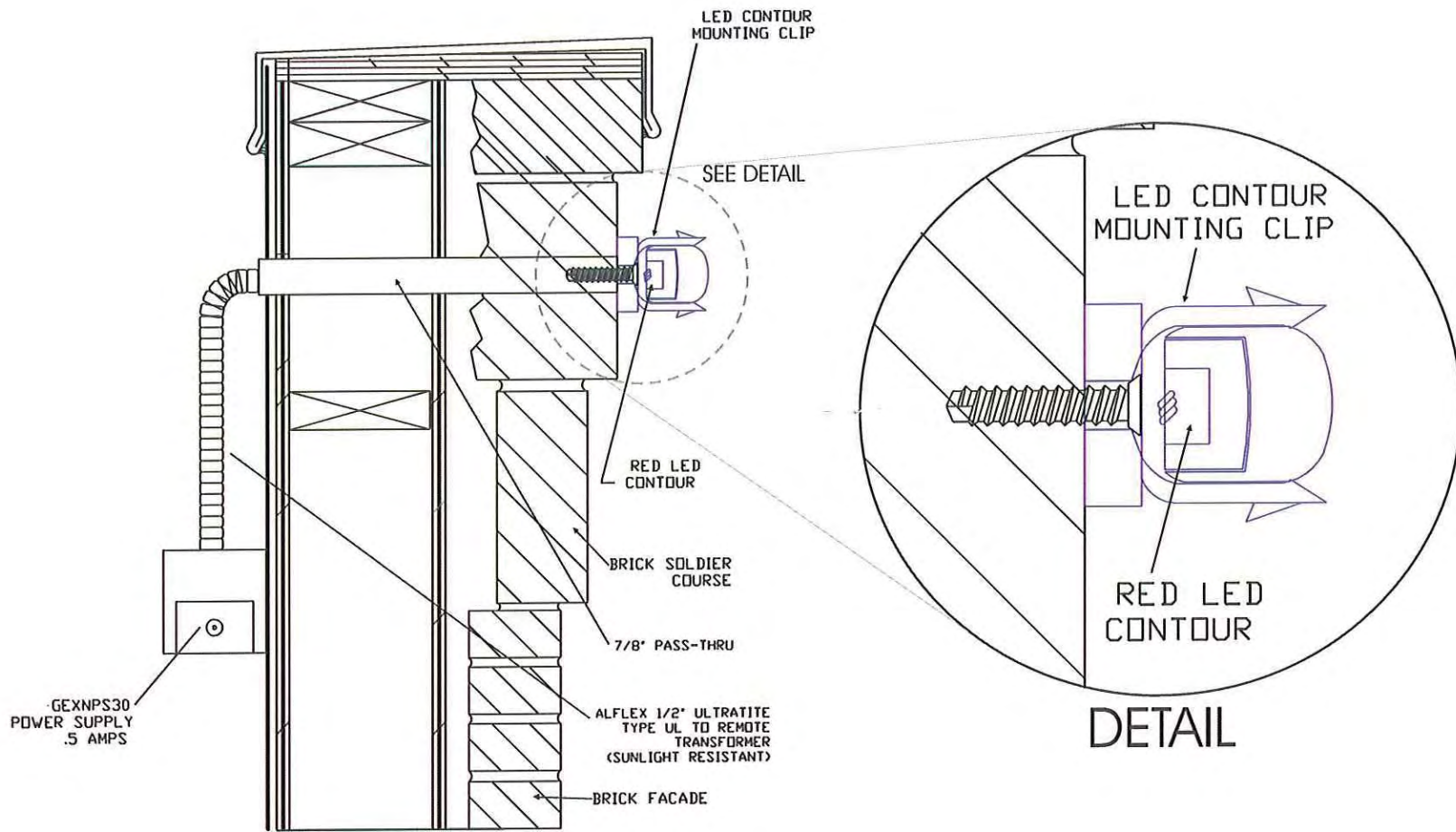
\*\*\*LED Layout to be determined after production.

**TOTAL SQ. FT.: 19.69**

**THIS DRAWING IS FOR CONCEPTION PURPOSES ONLY. DUE TO CONSTRUCTION CONSTRAINTS SIZES OR LAYOUT MAY CHANGE.**

 <b>I.D. ASSOCIATES</b> 1771 INDUSTRIAL ROAD, DOTHAN AL. 36303 PHONE (334) 836-1400 FAX (334) 836-1401	ACCOUNT REP: <b>Barbara Tew</b>	CLIENT: <b>LONGHORN</b>	REVISED:	REVISED:
	LOCATION: MADISON, WISCONSIN	SCALE: <b>NTS</b>	DATE: <b>08/14/2008</b>	REVISED:
	DRAWN BY: <b>RIGSBY</b>	DWG. NO.: <b>LHSH_STD_SITE_02</b>	REVISED:	REVISED:
			REVISED:	REVISED:





Mounting Detail  
WALL MOUNTED LED BORDER

THIS DRAWING IS FOR CONCEPTION PURPOSES ONLY. DUE TO CONSTRUCTION CONSTRAINTS SIZES OR LAYOUT MAY CHANGE.

<b>I.D.</b> <b>ASSOCIATES</b> 1771 INDUSTRIAL ROAD, DOTHAN AL. 36303 PHONE (334) 836-1400 FAX (334) 836-1401	ACCOUNT REP: <b>Barbara Tew</b>	CLIENT: <b>LONGHORN</b>	REVISED:	REVISED:
	LOCATION: MADISON, WISCONSIN	SCALE: <b>NTS</b>	DATE: <b>08/14/2008</b>	REVISED:
	DRAWN BY: <b>RIGSBY</b>	DWG. NO.: <b>LHSH_STD_SITE_03</b>	REVISED:	REVISED:
			REVISED:	REVISED:

