





**GREENFIRE RESTAURANT**

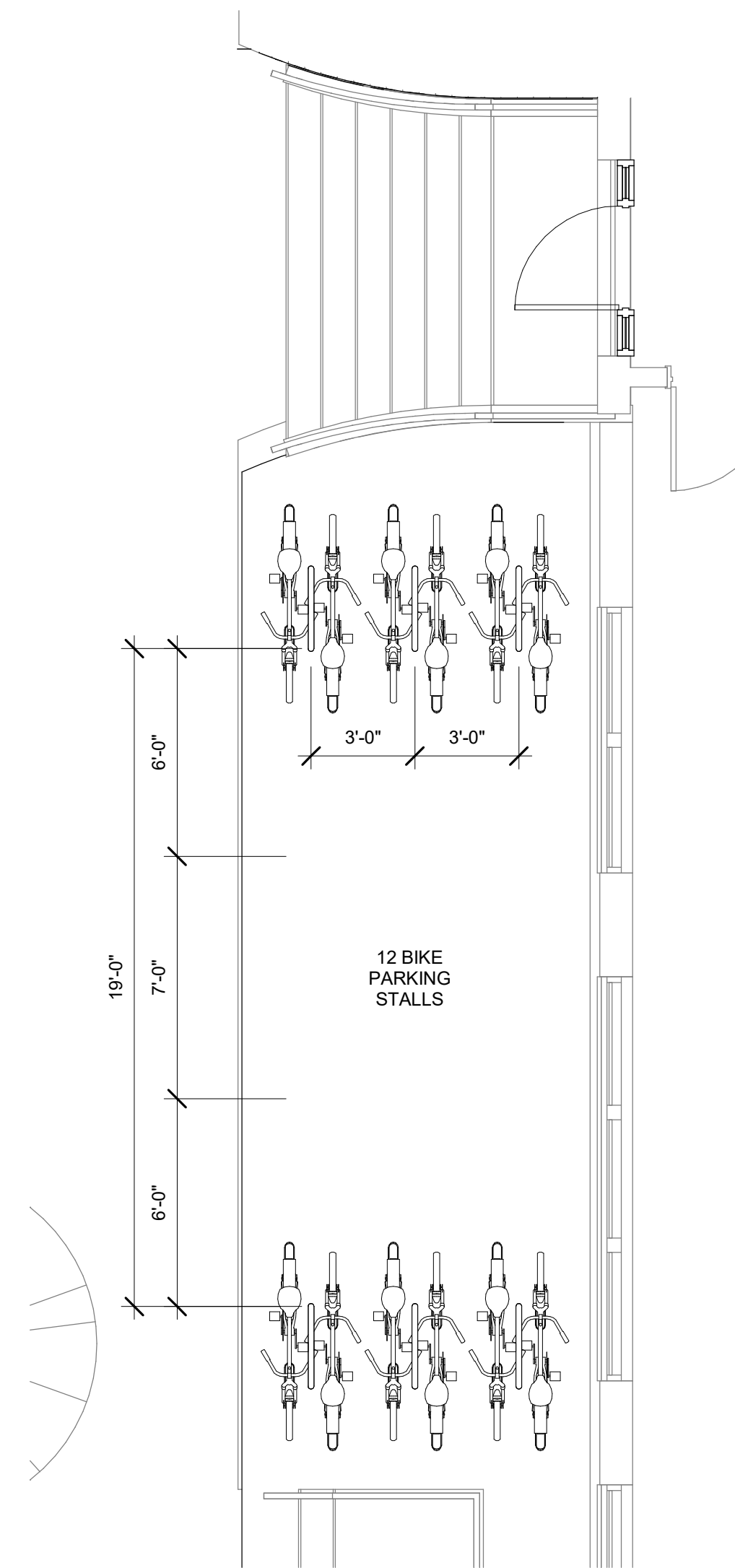
TENANT IMPROVEMENT  
849 EAST WASHINGTON  
MADISON, WI

**ENLARGED SITE PLAN**

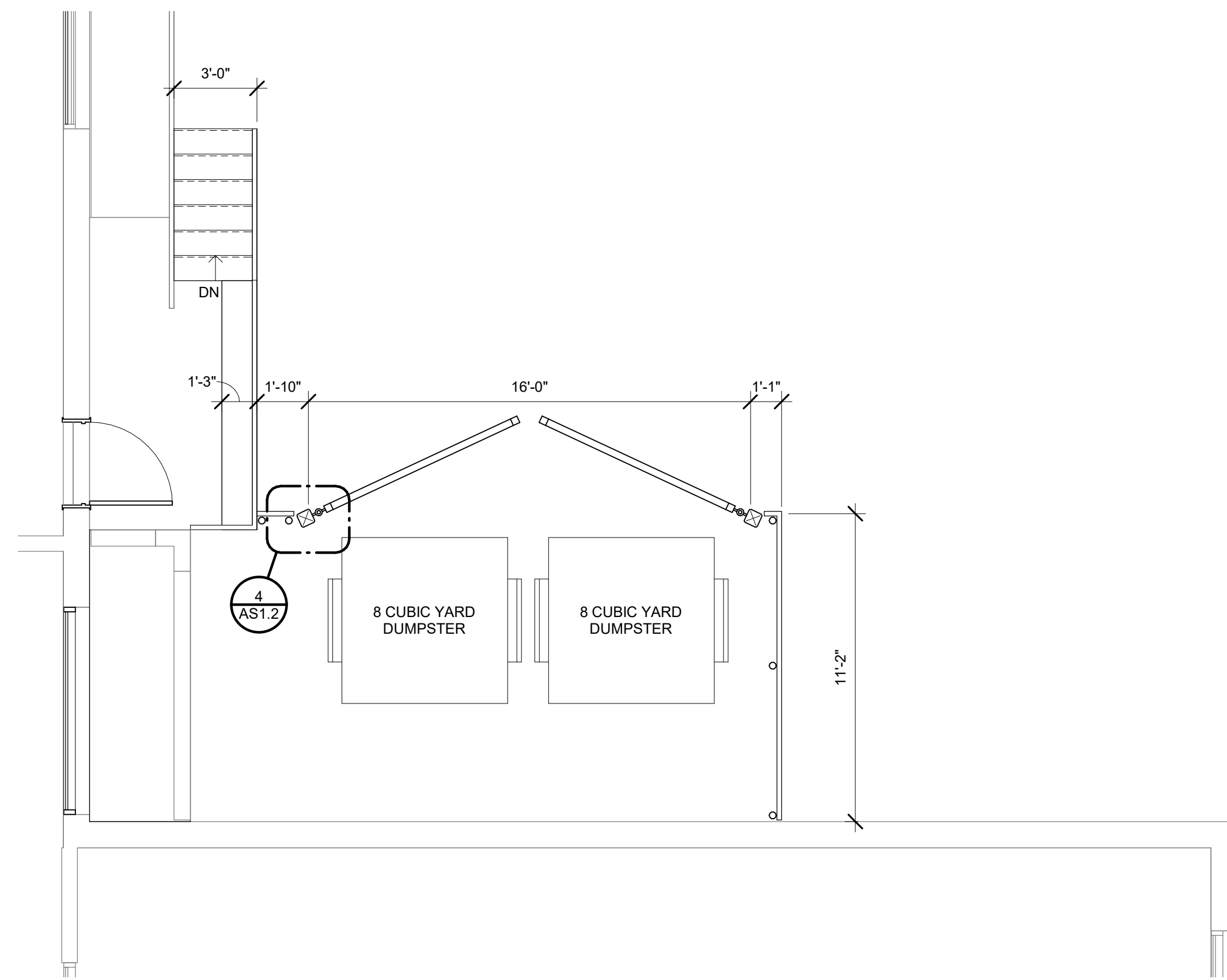
**Project Status**

12/18/2019 FOR REVIEW

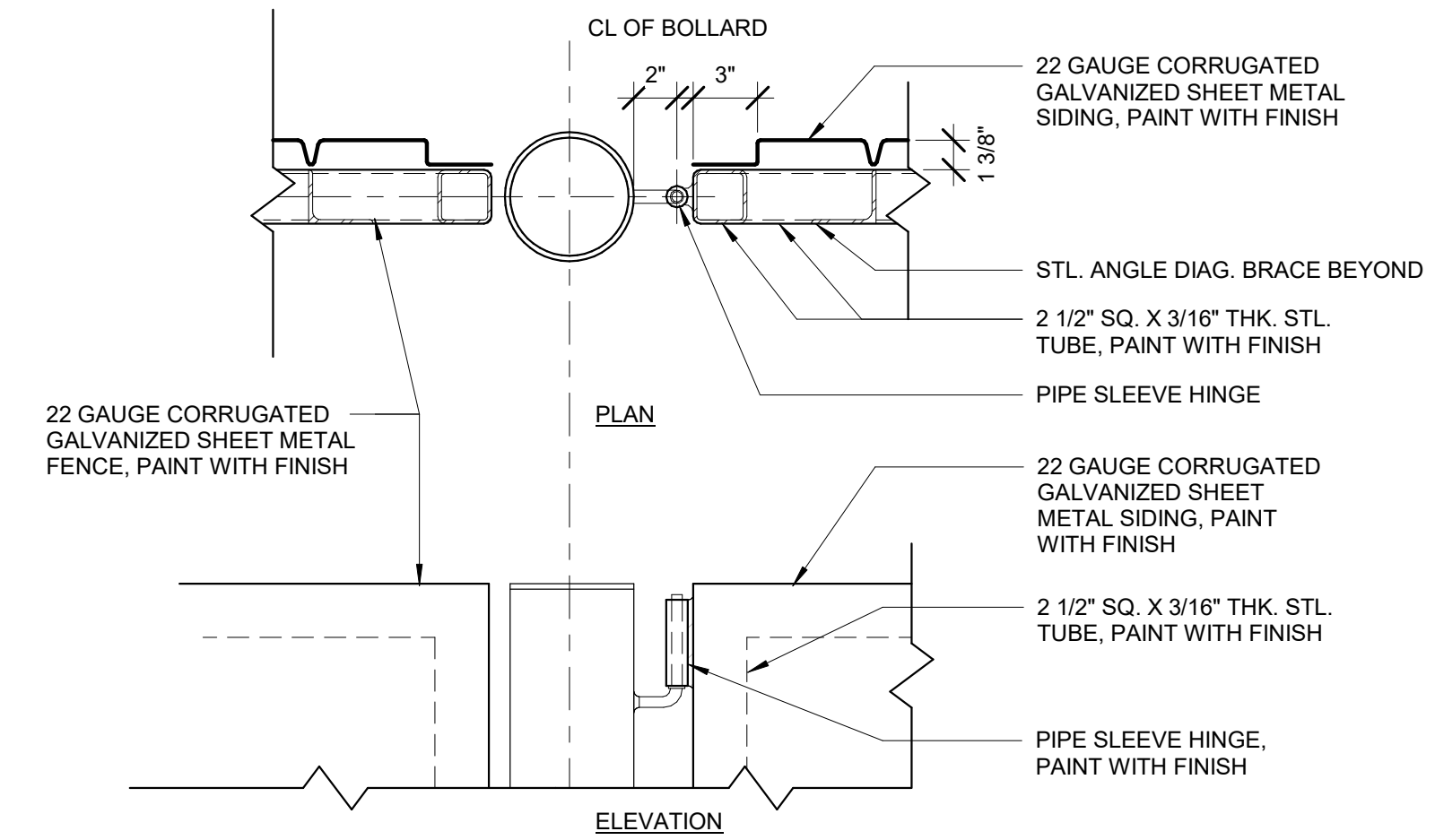
**AS1.2**



2 EAST WASHINGTON PLAN  
1/4" = 1'-0"



3 DUMPSTER ENCLOSURE PLAN  
1/4" = 1'-0"



4 TRASH ENCLOSURE GATE DETAIL  
1 1/2" = 1'-0"

**PRELIMINARY**

