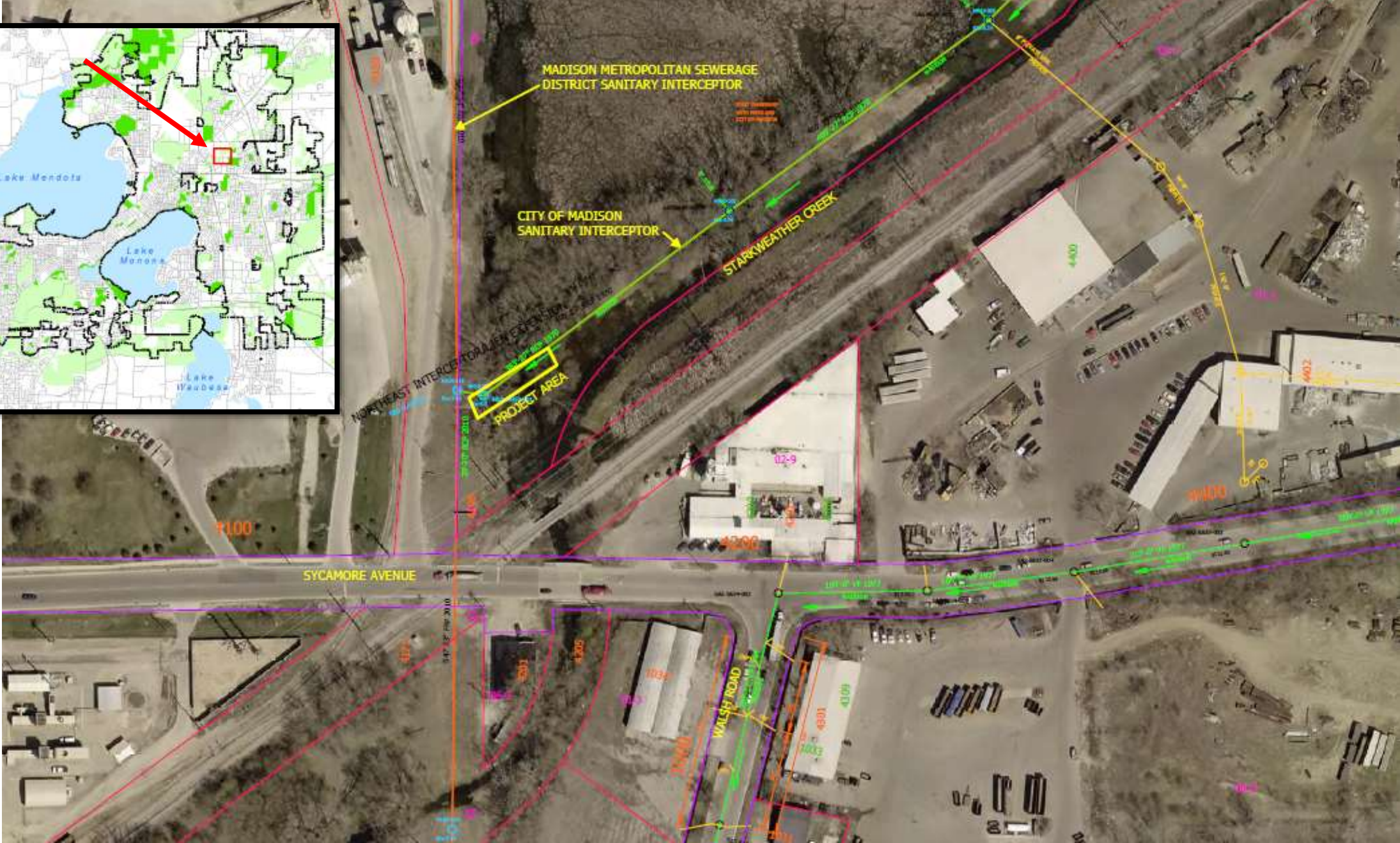
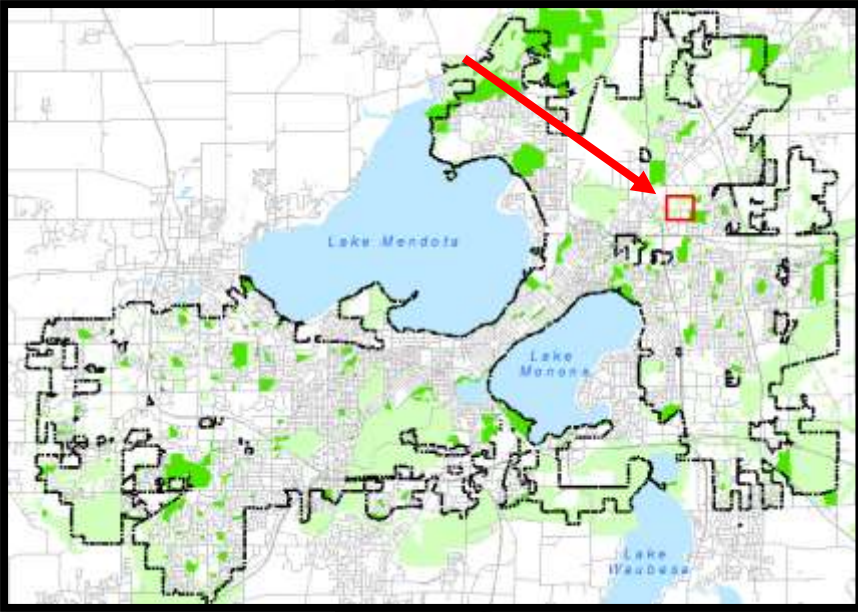


SYCAMORE SANITARY ACCESS – PHASE 1





48" x 76" (1) ELLIPTICAL
STORM SEWER PIPE

53" x 83" (2) ELLIPTICAL
STORM SEWER PIPES

GRADING LIMITS

3:1 SLOPE

2:1 SLOPE

3:1 SLOPE

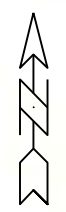
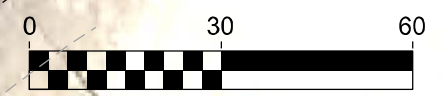
MEDIUM RIPRAP

ACCESS ROAD

GUY

GUY
GUY

PROPERTY LINES

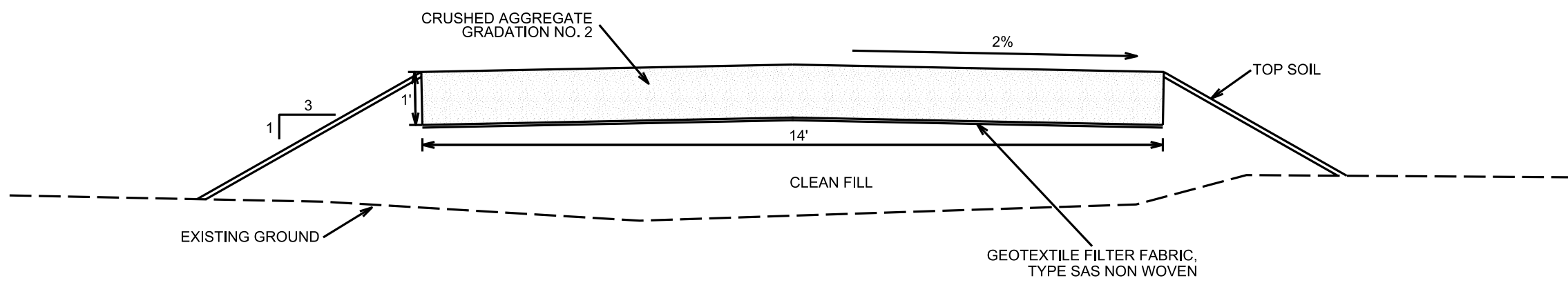
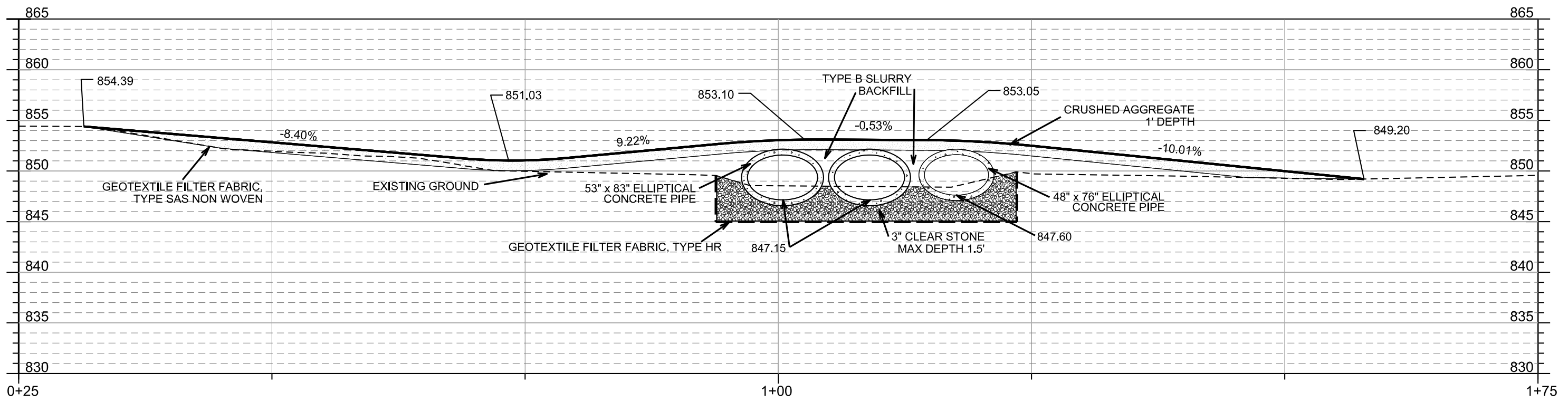


PLOT SCALE: _____

PLOT NAME: _____

REV. DATE: _____

ORIGINATOR: CITY OF MADISON, STREETS DIVISION



PLOT SCALE: _____

PLOT NAME: _____

REV. DATE: _____

ORIGINATOR: CITY OF MADISON, STREETS DIVISION