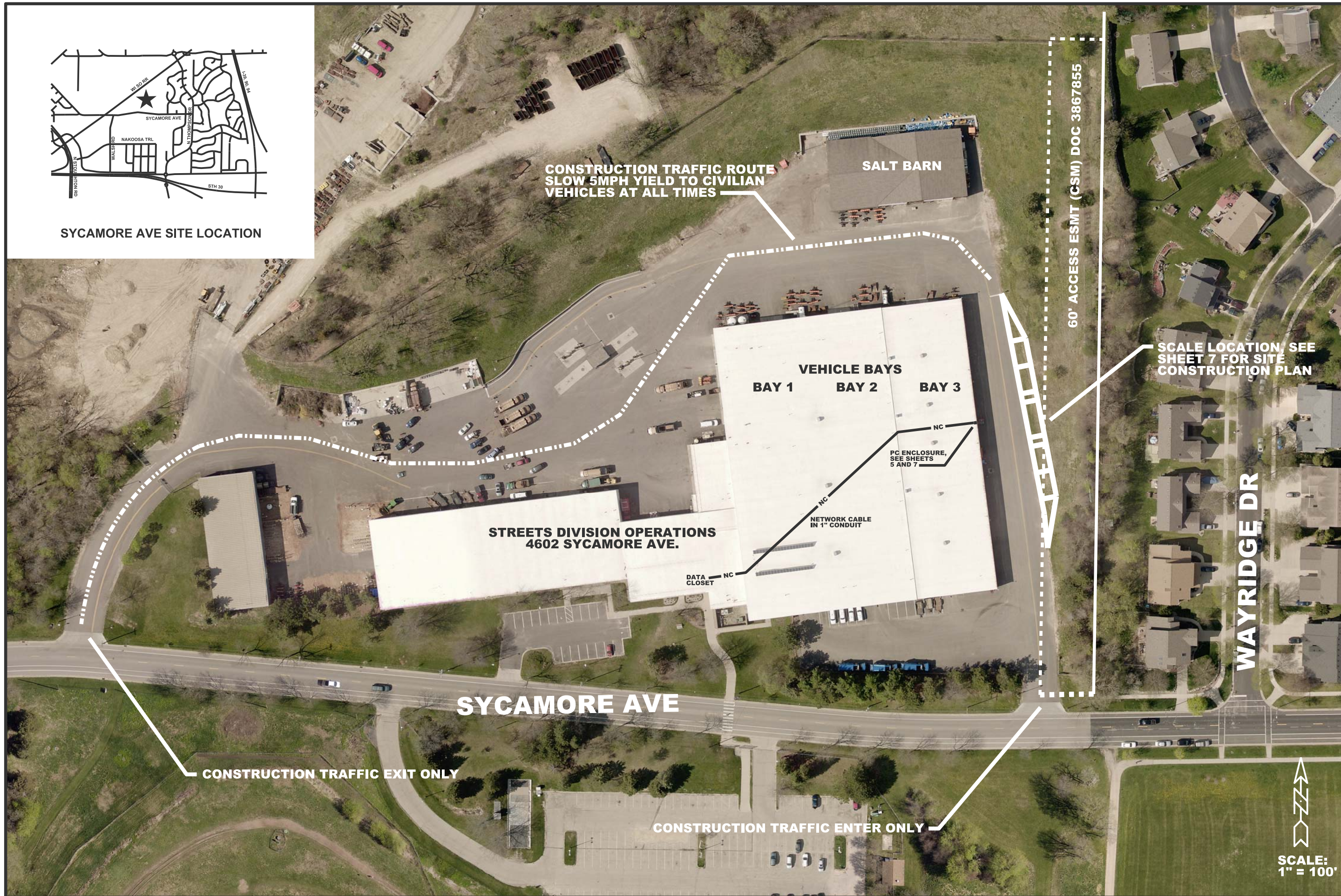


SYCAMORE AVE SITE LOCATION



CONSTRUCTION TRAFFIC ROUTE
SLOW 5MPH YIELD TO CIVILIAN
VEHICLES AT ALL TIMES

SALT BARN

VEHICLE BAYS
BAY 1 BAY 2 BAY 3

STREETS DIVISION OPERATIONS
4602 SYCAMORE AVE.

PC ENCLOSURE,
SEE SHEETS
5 AND 7

NETWORK CABLE
IN 1" CONDUIT

DATA CLOSET

60' ACCESS ESMT (CSM) DOC 3867855

SCALE LOCATION, SEE
SHEET 7 FOR SITE
CONSTRUCTION PLAN

WAYRIDGE DR

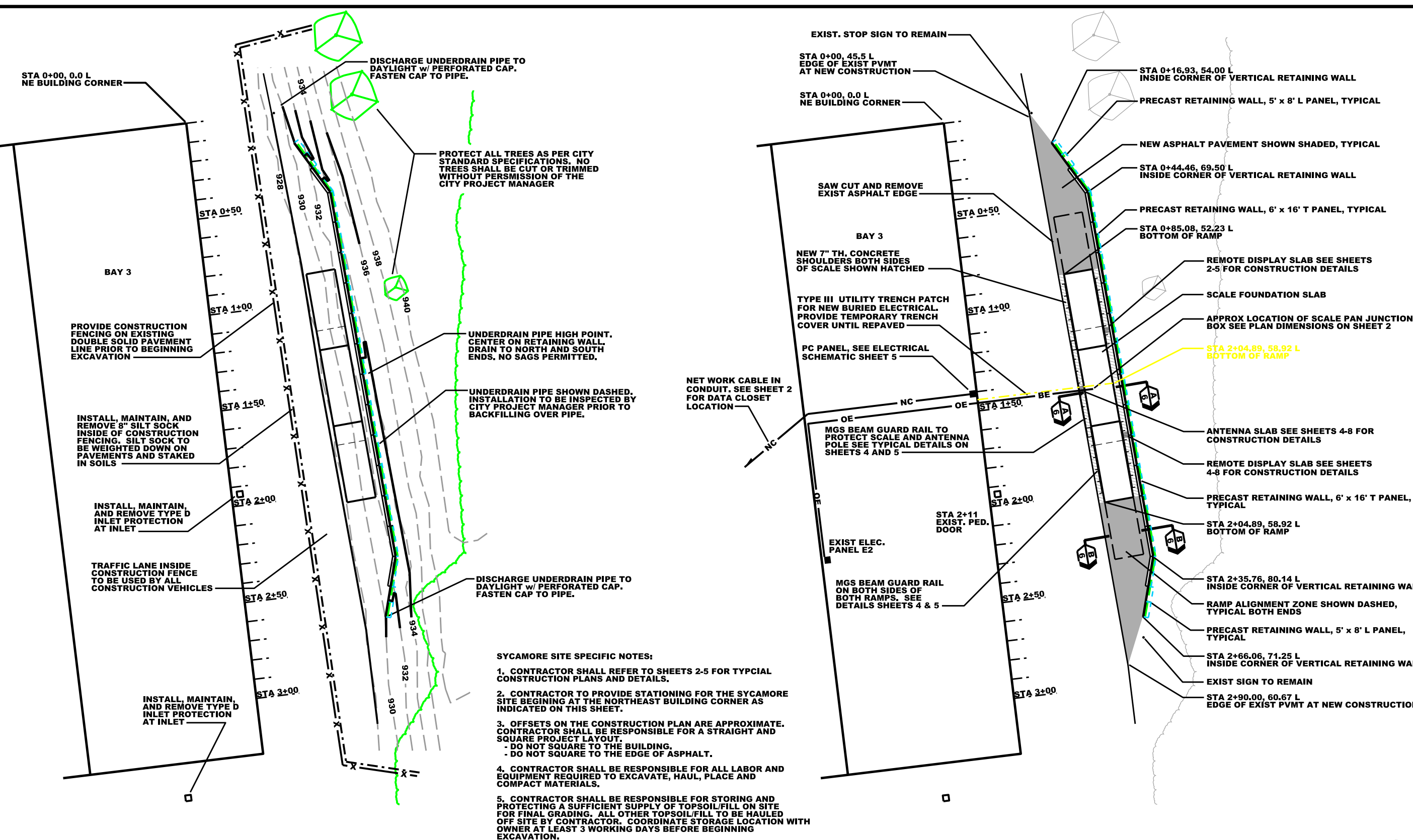
SYCAMORE AVE

CONSTRUCTION TRAFFIC EXIT ONLY

CONSTRUCTION TRAFFIC ENTER ONLY



<p>CITY OF MADISON - ENGINEERING CONTRACT 8891 SYCAMORE TRUCK SCALE</p>	<p>GENERAL SITE PLAN</p>	<p>2</p>
---	--------------------------	----------

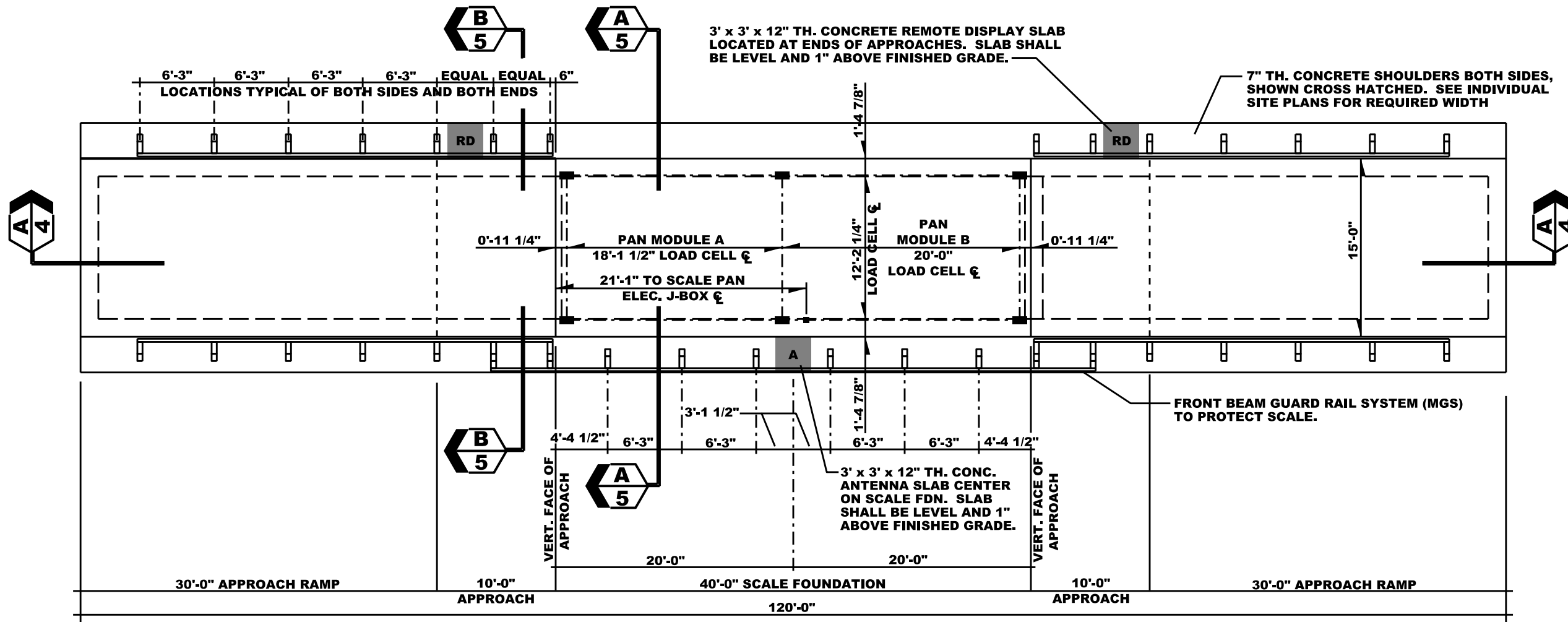


- SYCAMORE SITE SPECIFIC NOTES:**
1. CONTRACTOR SHALL REFER TO SHEETS 2-5 FOR TYPICAL CONSTRUCTION PLANS AND DETAILS.
 2. CONTRACTOR TO PROVIDE STATIONING FOR THE SYCAMORE SITE BEGINNING AT THE NORTHEAST BUILDING CORNER AS INDICATED ON THIS SHEET.
 3. OFFSETS ON THE CONSTRUCTION PLAN ARE APPROXIMATE. CONTRACTOR SHALL BE RESPONSIBLE FOR A STRAIGHT AND SQUARE PROJECT LAYOUT.
 - DO NOT SQUARE TO THE BUILDING.
 - DO NOT SQUARE TO THE EDGE OF ASPHALT.
 4. CONTRACTOR SHALL BE RESPONSIBLE FOR ALL LABOR AND EQUIPMENT REQUIRED TO EXCAVATE, HAUL, PLACE AND COMPACT MATERIALS.
 5. CONTRACTOR SHALL BE RESPONSIBLE FOR STORING AND PROTECTING A SUFFICIENT SUPPLY OF TOPSOIL/FILL ON SITE FOR FINAL GRADING. ALL OTHER TOPSOIL/FILL TO BE HAULED OFF SITE BY CONTRACTOR. COORDINATE STORAGE LOCATION WITH OWNER AT LEAST 3 WORKING DAYS BEFORE BEGINNING EXCAVATION.
 6. CONTRACTOR SHALL BE RESPONSIBLE FOR LABOR AND EQUIPMENT REQUIRED TO DELIVER ALL REQUIRED FILL MATERIALS.
 7. CONTRACTOR SHALL BE RESPONSIBLE FOR BASE PREPARATION, PLACEMENT, AND BACKFILLING RETAINING WALLS ACCORDING TO ALL DETAILS.
 8. SCALE FOUNDATION SLAB SHALL BE LEVEL IN ALL DIRECTIONS AT THE ELEVATION SPECIFIED.
 9. CONTRACTOR SHALL REMOVE ALL INLET PROTECTION AT THE END OF CONSTRUCTION.

1. EROSION CONTROL & GRADING PLAN

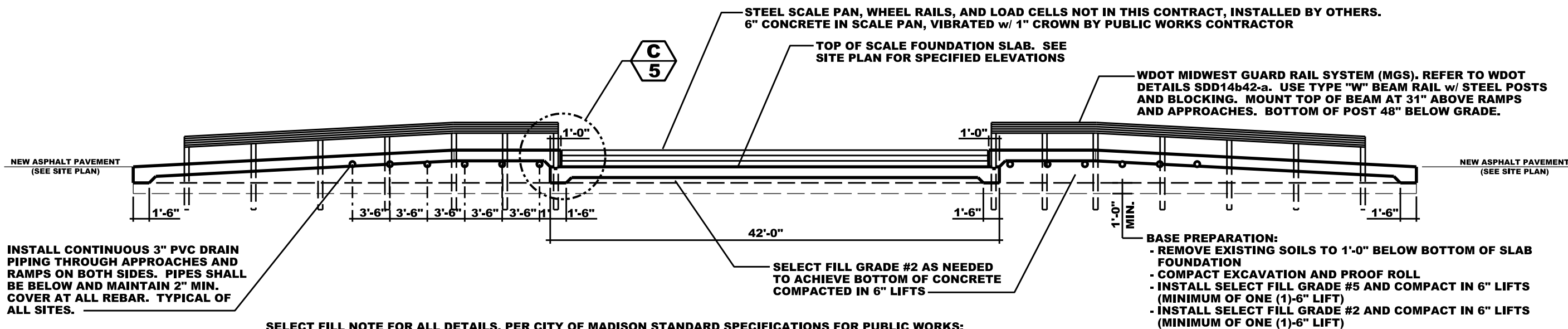
2. CONSTRUCTION PLAN

SCALE:
 1" = 50'



NOTE: ANTENNA SIDE IS "STREET SIDE"

TYPICAL PLAN VIEW - FOUNDATION SLAB AND VEHICLE APPROACHES



SELECT FILL NOTE FOR ALL DETAILS, PER CITY OF MADISON STANDARD SPECIFICATIONS FOR PUBLIC WORKS:

1. SELECT FILL GRADATION # 2 SHALL BE 1-1/4" UNWASHED CRUSHED STONE
2. SELECT FILL GRADATION #5 SHALL BE BREAKER RUN BASE

A-A/4 TYPICAL SECTION DETAIL

