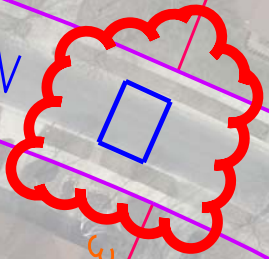


New Speed Hump



Speed Hump

Speed Hump



NOTTINGHAM WY

ASHFORD LN

ASHFORD LN

ARDSLEY LN

MCDIVITT RD

2910

2900

2906

2913

2914

2928

2902

2905

2910

2929

2917

2901

2817

2906

2902

3002

2922

2918

2914

2910

2906

2904

2902

2822

3029

3029

3025

3021

3013

3010

3028

3026

3024

3022

3018

3018*CDM

3018

3020

3016

3014

3012

3010

3008

3006

3004

3002

3009

3007

3005

3001

3003

2927

2929

2715

2713

2716

2714

2712

2710

2711

2709

2707

2705

2719

2717

2713

2709

2720

2710

2905

3102

3019

3017

3015

3013

3011

3009

3007

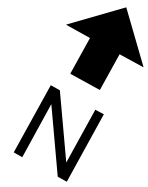
3005

2940

29

2010

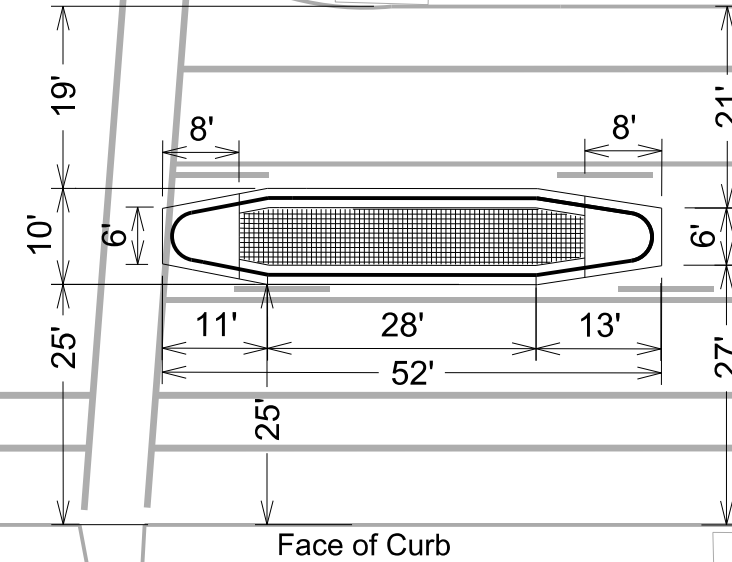
CUR



Jana Ln

Face of Curb

N THOMPSON DR



NOTES:

1. ALL CURB & GUTTER ON THE ISLANDS SHALL BE TYPE 'E' PER S.D.D. 3.08
2. ALL ISLANDS SHALL HAVE CONCRETE MOUNTABLE NOSES PER S.D.D. 3.13
3. INTERIOR OF ISLANDS SHALL BE 7" STAMPED & COLORED CONCRETE (6"X6" COBBLESTONE, TERRA COTTA)
4. SAWCUT EXISTING PAVEMENT AT PROPOSED EDGE OF GUTTER. TAKE CARE TO NOT DAMAGE PAVEMENT BEYOND THAT POINT.
5. CONTRACTORS SHALL COORDINATE WITH TRAFFIC ENGINEERING TO LAYOUT ISLANDS IN THE FIELD

PLOT SCALE:

PLOT NAME:

REV. DATE:

ORIGINATOR: CITY OF MADISON, TRAFFIC ENG. DIV.



Sidewalk

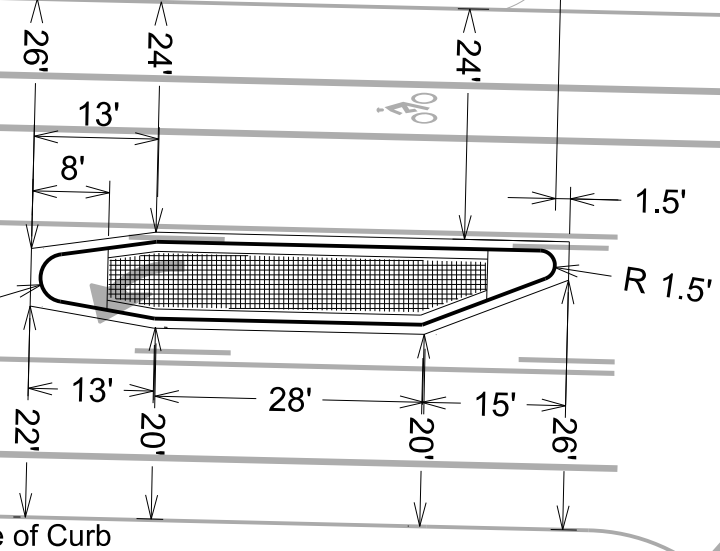
Face of Curb

Driveway

N THOMPSON DR

N THOMPSON DR

GOLDEN LEAF TR



NOTES:

1. ALL CURB & GUTTER ON THE ISLANDS SHALL BE TYPE 'E' PER S.D.D. 3.08
2. ALL ISLANDS SHALL HAVE CONCRETE MOUNTABLE NOSES PER S.D.D. 3.13
3. INTERIOR OF ISLANDS SHALL BE 7" STAMPED & COLORED CONCRETE (6"X6" COBBLESTONE, TERRA COTTA)
4. SAWCUT EXISTING PAVEMENT AT PROPOSED EDGE OF GUTTER. TAKE CARE TO NOT DAMAGE PAVEMENT BEYOND THAT POINT.
5. CONTRACTORS SHALL COORDINATE WITH TRAFFIC ENGINEERING TO LAYOUT ISLANDS IN THE FIELD

PLOT SCALE:

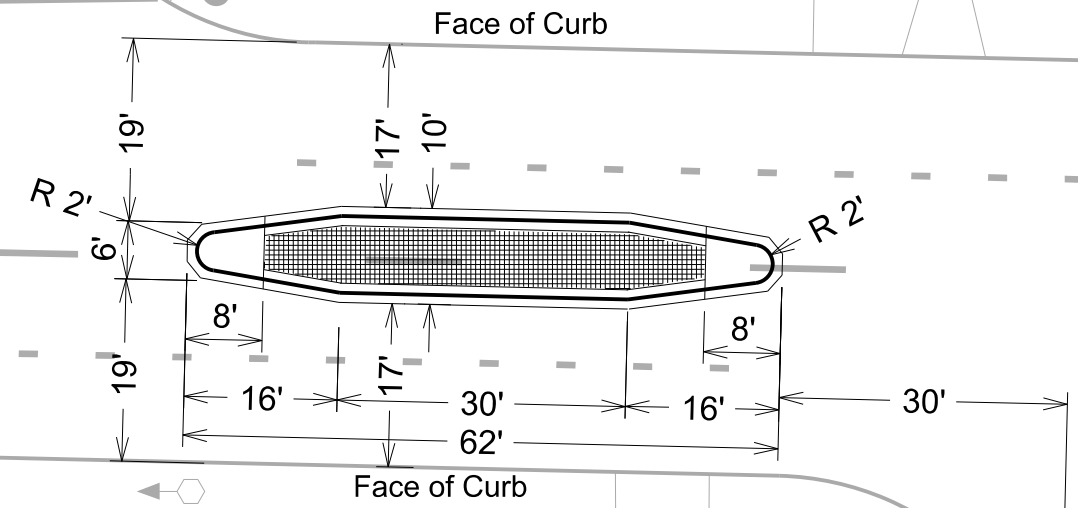
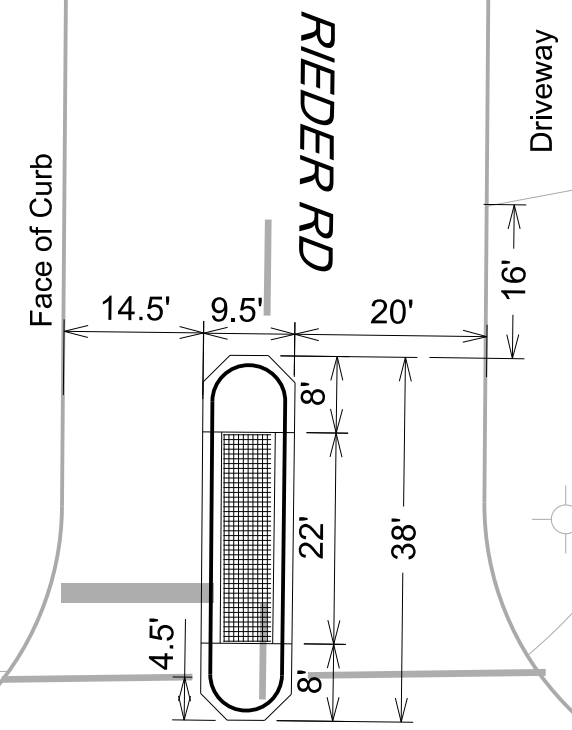
PLOT NAME:

REV. DATE:

ORIGINATOR: CITY OF MADISON, TRAFFIC ENG. DIV.



PLOT SCALE:
PLOT NAME:
REV. DATE:
ORIGINATOR: CITY OF MADISON, TRAFFIC ENG. DIV.

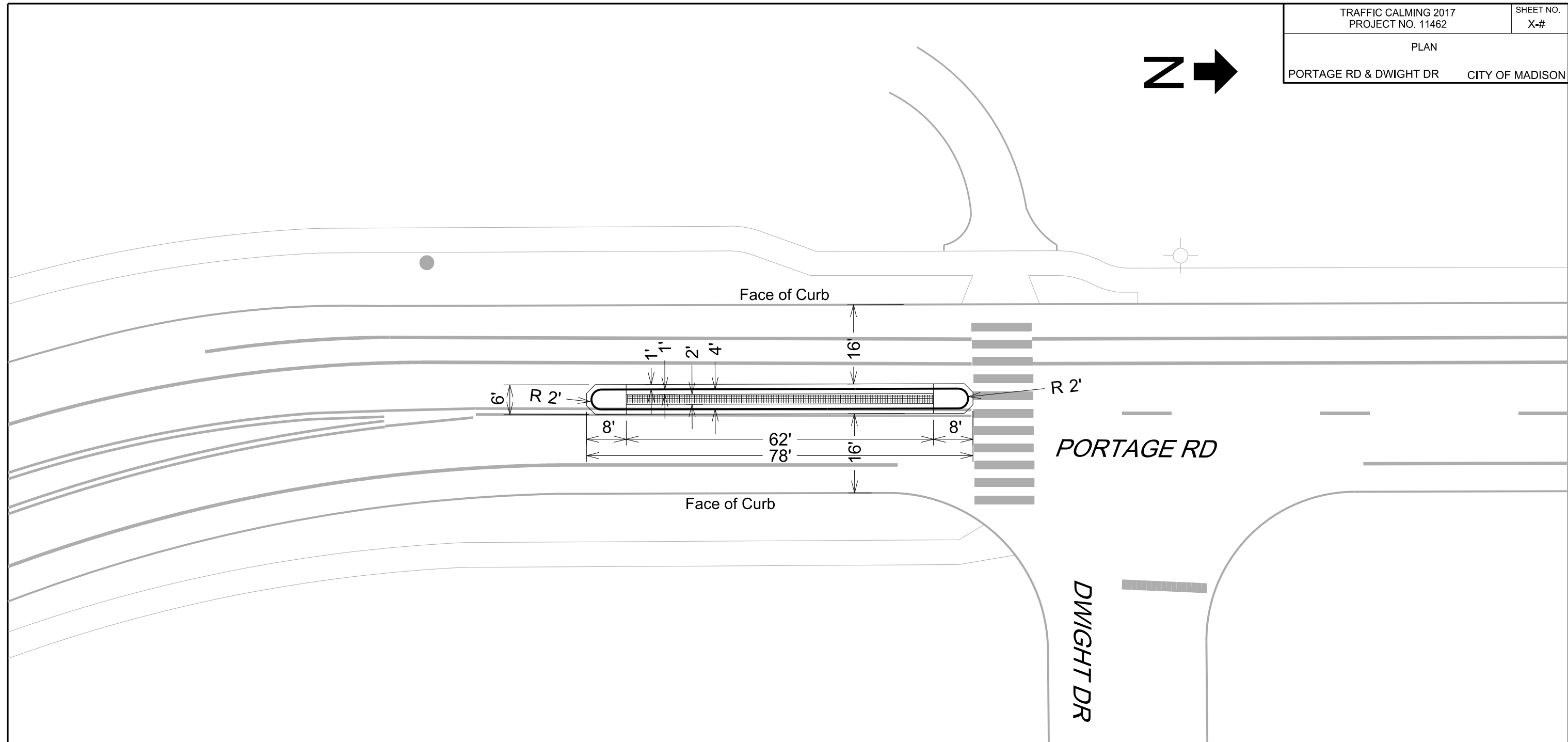


NOTES:

1. ALL CURB & GUTTER ON THE ISLANDS SHALL BE TYPE 'E' PER S.D.D. 3.08
2. ALL ISLANDS SHALL HAVE CONCRETE MOUNTABLE NOSES PER S.D.D. 3.13
3. INTERIOR OF ISLANDS SHALL BE 7" STAMPED & COLORED CONCRETE (6"X6" COBBLESTONE, TERRA COTTA)
4. SAWCUT EXISTING PAVEMENT AT PROPOSED EDGE OF GUTTER. TAKE CARE TO NOT DAMAGE PAVEMENT BEYOND THAT POINT.
5. CONTRACTORS SHALL COORDINATE WITH TRAFFIC ENGINEERING TO LAYOUT ISLANDS IN THE FIELD



PLOT SCALE:
PLOT NAME:
REV. DATE:
ORIGINATOR: CITY OF MADISON, TRAFFIC ENG. DIV.



- NOTES:
1. ALL CURB & GUTTER ON THE ISLANDS SHALL BE TYPE 'E' PER S.D.D. 3.08
 2. ALL ISLANDS SHALL HAVE CONCRETE MOUNTABLE NOSES PER S.D.D. 3.13
 3. INTERIOR OF ISLANDS SHALL BE 7" STAMPED & COLORED CONCRETE (6"X6" COBBLESTONE, TERRA COTTA)
 4. SAWCUT EXISTING PAVEMENT AT PROPOSED EDGE OF GUTTER. TAKE CARE TO NOT DAMAGE PAVEMENT BEYOND THAT POINT.
 5. CONTRACTORS SHALL COORDINATE WITH TRAFFIC ENGINEERING TO LAYOUT ISLANDS IN THE FIELD



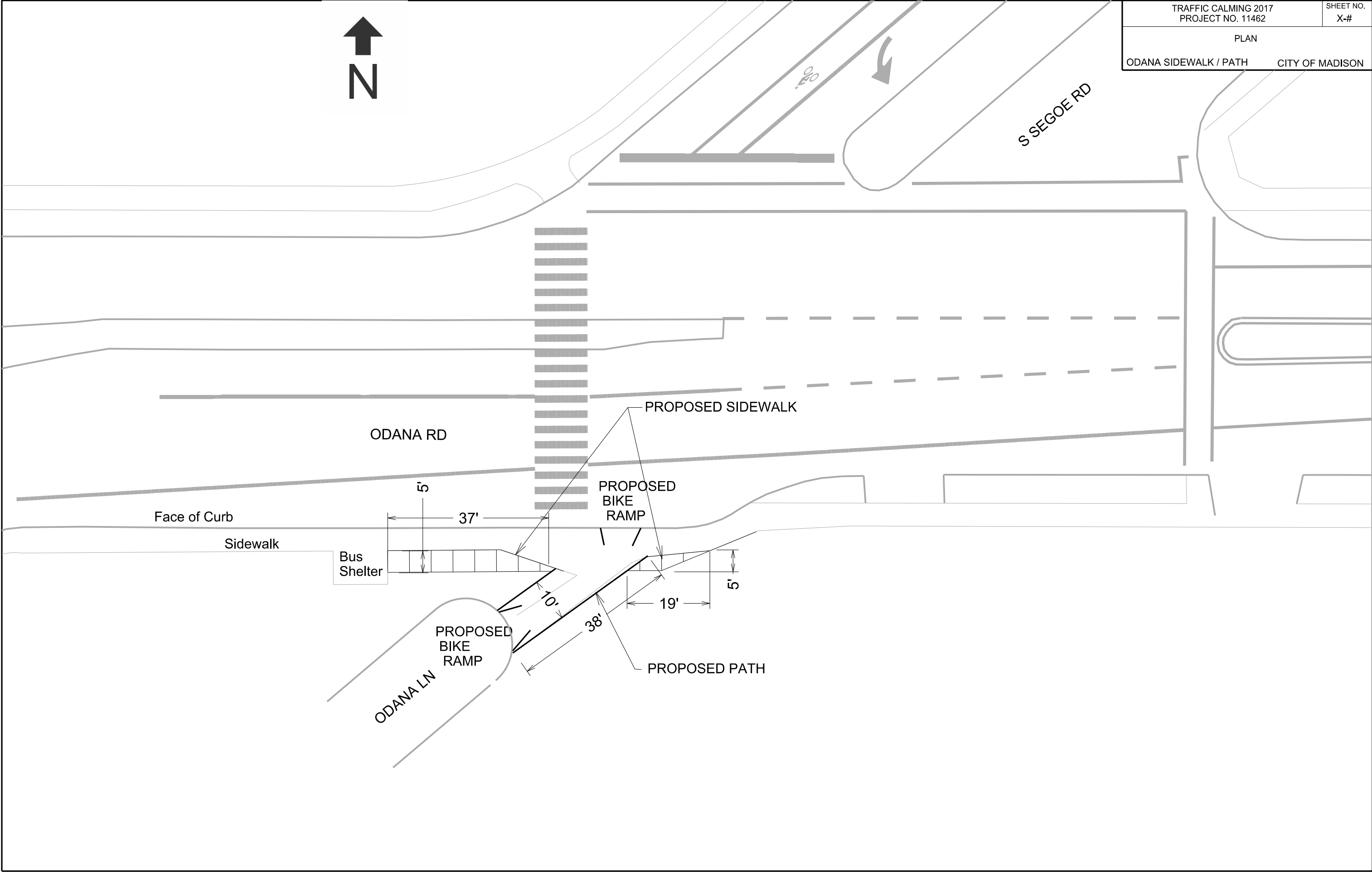
S SEGOE RD

PLOT SCALE:

PLOT NAME:

REV. DATE:

ORIGINATOR: CITY OF MADISON, TRAFFIC ENG. DIV.



MATCH SHEET 2

MATCH SHEET 2

HILLCREST DR

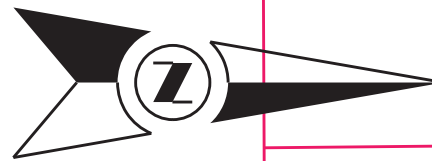
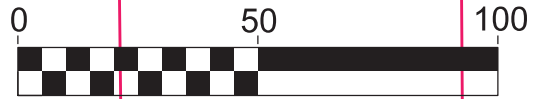
HAMMERSLEY AVE

LARKIN ST

SPEED HUMPS SHALL NOT BE LOCATED IN FRONT OF DRIVEWAYS NOR ON ANY CASTINGS. CONTACT THE ENGINEER IF CONFLICTS OCCUR.

SPEED HUMPS SHALL BE CONSTRUCTED IN ACCORDANCE WITH THE CITY OF MADISON STANDARD DETAIL DRAWING NO. 4.10

THIS PLAN WAS PREPARED FROM AERIAL PHOTOGRAPHS AND MAY NOT BE COMPLETE NOR ACCURATE. CHECK FOR CONFLICTS PRIOR TO CONSTRUCTION.



232

226

220

214

208

202

3818

225

221

217

201

DW

DW

DW

DW

DW

DW

DW

DW

DW

DW

20'

20'

PLOT SCALE:

PLOT NAME:

REV. DATE:

ORIGINATOR: CITY OF MADISON, TRAFFIC ENG. DIV.



REPLACE CONCRETE CURB, SIDEWALK & PAVEMENT
AS NECESSARY TO REPAIR DAMAGED SECTIONS

TOKAY BLVD

5602

07-2

5598